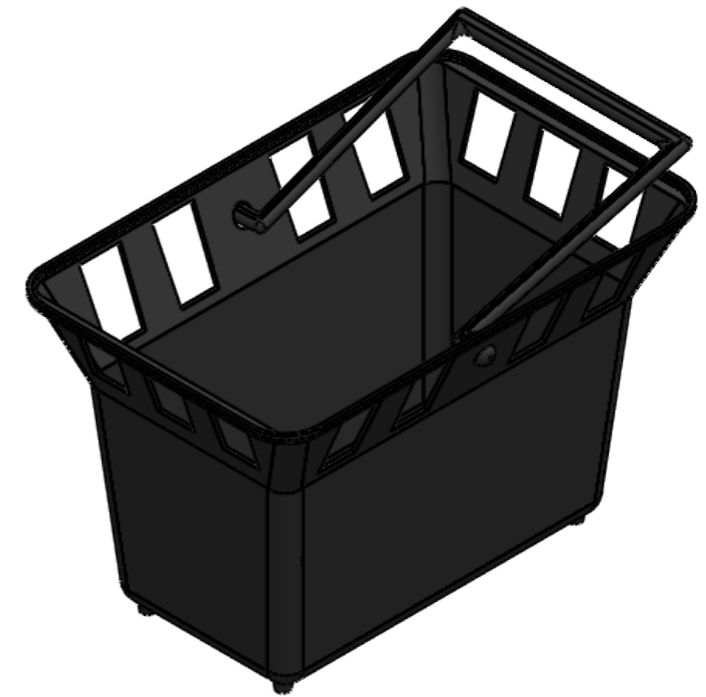
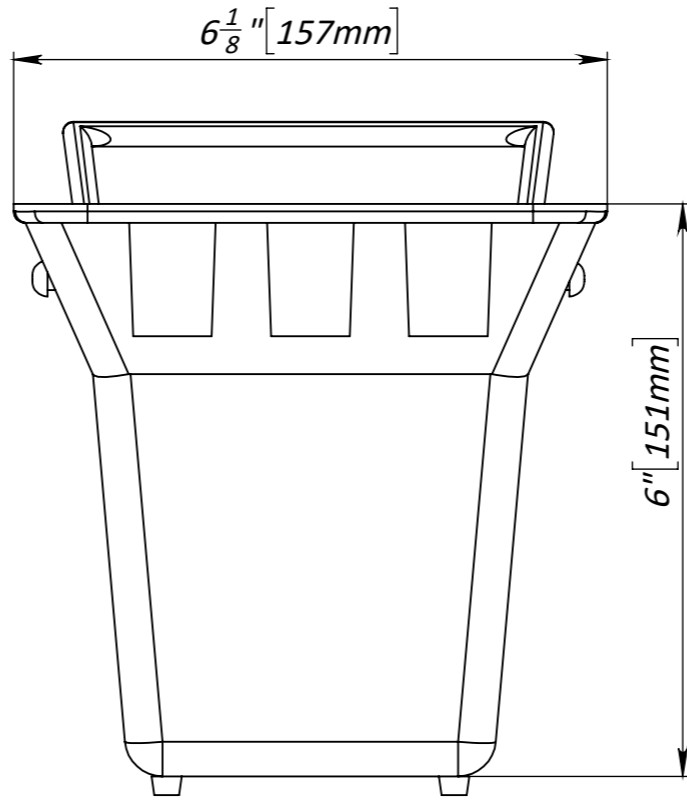
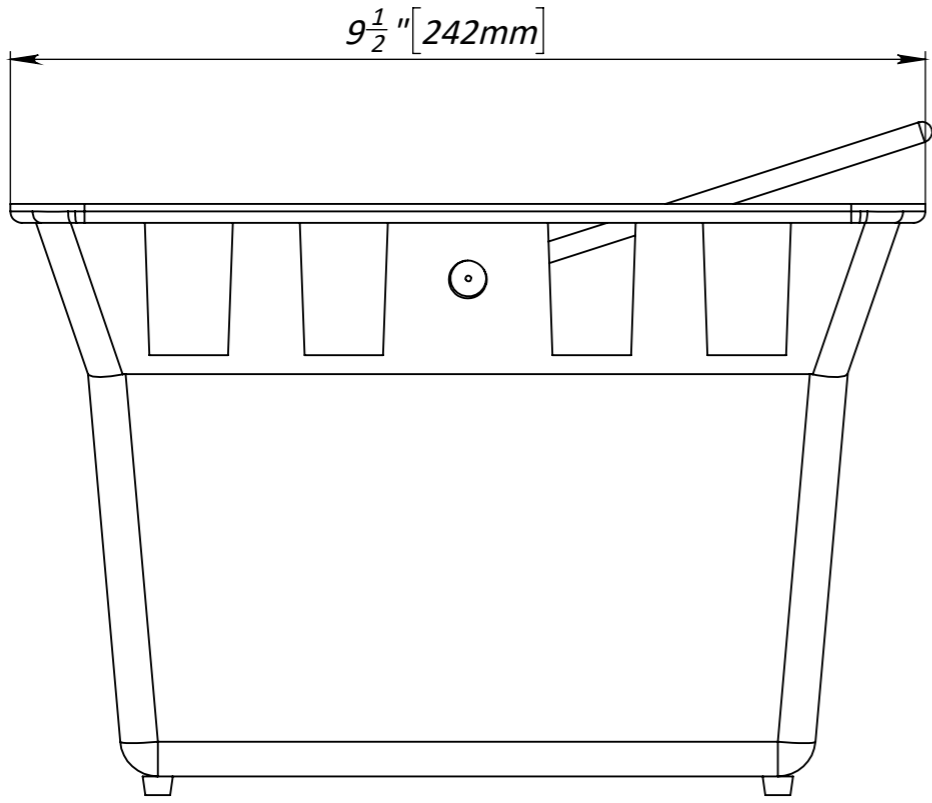


Primary Usage
Reference No.
Sign. and date
Copy inv. No.
Repl. Inv. No.
Sign. and date
Orig. Inv. No.

12x12 Plastic Basket



Deviation of the actual weight of the nominal can be up to 10%

					Art. 8379			
					12x12 Plastic Basket			
					8379	Let.	Weight (lb)	Scale
Rev.	Sheet	Doc. No.	Sign.	Data			0.4	1:2
						Sheet	Sheets 1	
					Plastic			