



**fohen**

Kitchens  
reinvented.  
**Forever.**



# Revolutionise your kitchen with a **Fohen** boiling water tap.

The Instant Boiler Tap delivers piping hot pre-filtered water on demand, as well as standard hot and cold water. Free yourself from clutter and liberate one more plug point! Only heat what you need to save water as well as energy – a sustainable, eco-friendly option for the modern home.

Fohen Fantale shown in Brushed Gold | **TK01G**



## **Easy to fit. Efficient to run.**

The unique unvented system from Fohen stands out from other units on the market because it is so simple and easy to install.

There is no need for extra pipework for drainage and no need for a separate cold supply. It's exceptionally straightforward to fit without any upheaval for your kitchen.

(Above) Fohen Fahrenheit shown in Polished Bronze | **CK01B**



## Because life in colour is much more fun...

Available in 13 outstanding colour finishes, our PVD coating process is by far the most durable on the market, offering gold standard resistance against corrosion and abrasion for long-lasting results.

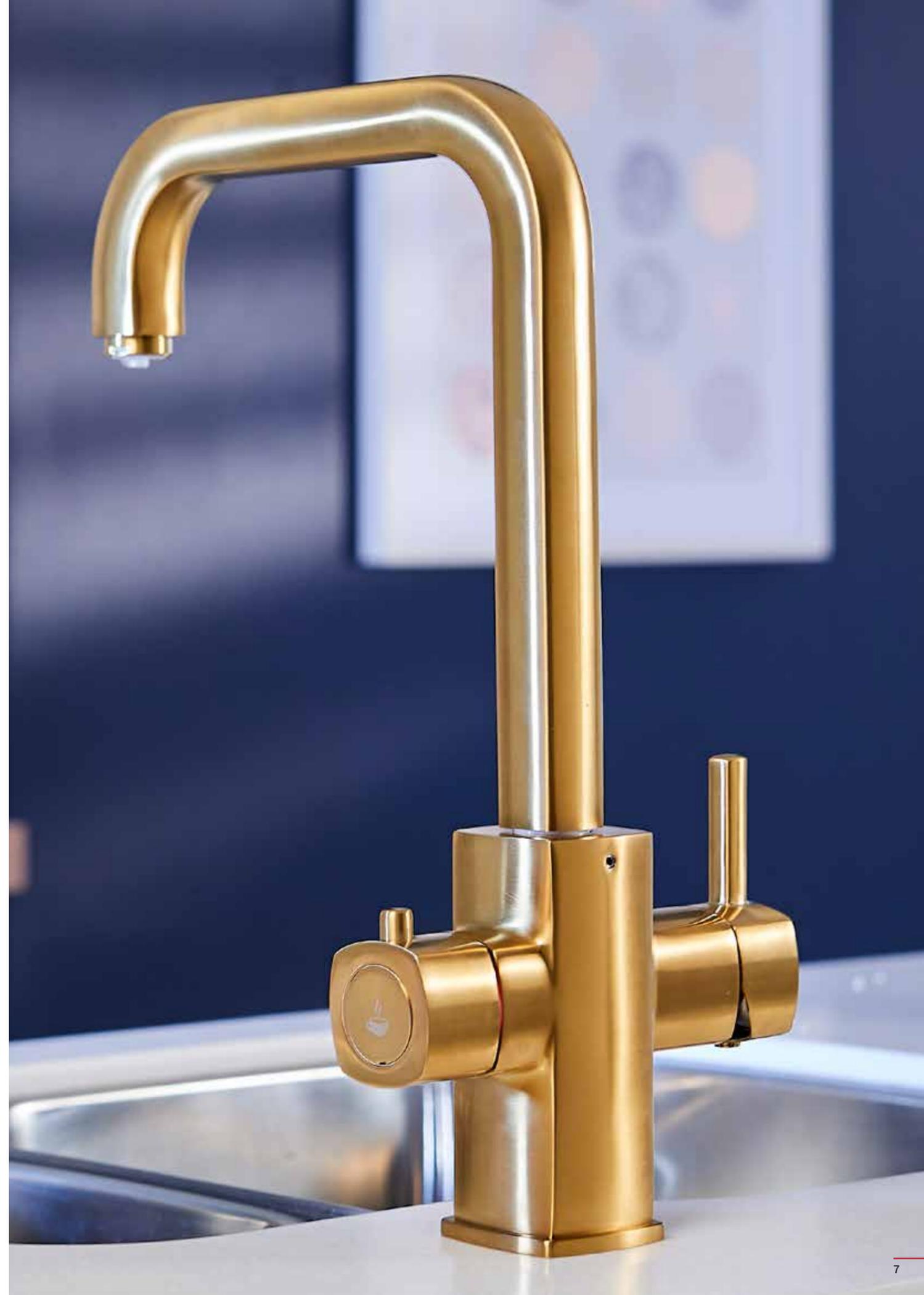


Polished Chrome    Brushed Gold    Matt Black    Brushed Gunmetal    Unfinished Brass    Brushed Nickel    Polished Bronze



Champagne Gold    Polished Nickel    Titanium Gold    Silk White    Satin Pink    Brushed Copper

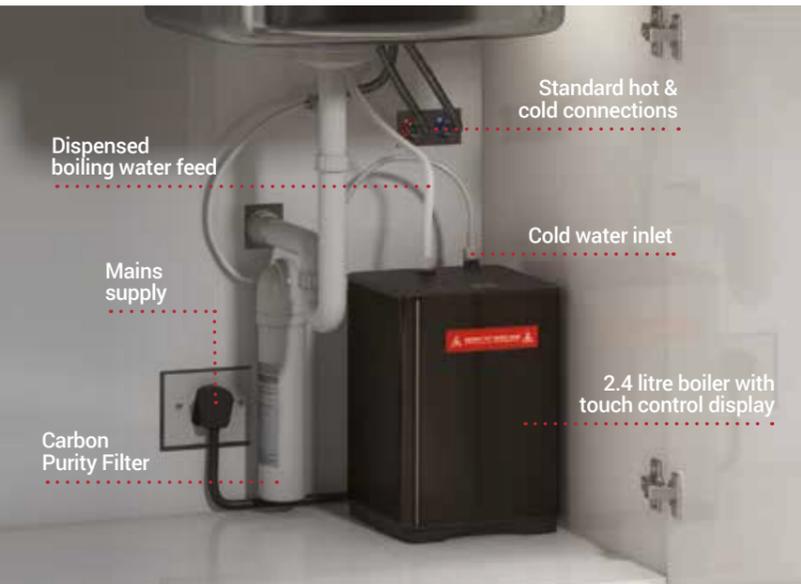
(Above) Fohen Flare shown in Polished Chrome | **FK02A**



# The Fohen 2.4 litre boiler.

## Innovation. Ingenuity.

The secret to the success of the Fohen system is in its unassuming yet innovative boiler tank unit, which discreetly slips away under your sink to do all the hard work. Featuring a number of automatic safety features, this is a clever little system that takes care of everything.



## Features.

- Adjustable 75 - 98.9°C temperature.
- Smoked glass touch screen colour display.
- 2.4 litre tank.
- Accurate digital temperature sensor.
- Water level float sensor.
- In-built overheat protection.
- Efficient, fully-insulated inner tank
- Compact design (315x210x210mm)
- Supplied with carbon rod filter.



**2 Year**  
WARRANTY

## The Fohen guarantee.

Fohen's entire range of Instant Boiling Water Taps come with complete 2 year warranty as standard. There's no need for you to do anything to activate your warranty once your purchase is complete – we'll apply it automatically!

Carbon Purity Filters must be replaced every 6 months to maintain your systems warranty.

## Safety on tap.

Fohen is the safest choice for every household. Its rugged safety handle is double spring loaded for extra security and its insulated spout design ensures your tap is always cool to the touch.

The tap delivers a controlled flow of water from the spout, eliminating any dangerous spitting or spurting and also features a 360° swivel spout for ease of use and accessibility.

## Professional installation.

Let Fohen take the strain out of finding an installer. We provide a professional installation service through an approved network of water system engineers so you can get your new boiling water tap smoothly up and running.

Our installation partners are experts in the industry with over 20 years of experience and are as committed to excellence as our Fohen team.

Element	Specification
Boiler Height (mm)	315
Boiler Width (mm)	210
Boiler Depth (mm)	210
Boiler Weight (Kg)	5.8
Boiler Capacity (L)	2.4
Temperature Control	75°C - 98°C
Construction Material	Stainless Steel / Glass
Heating Up Time	20 Minutes
Rated Input (kw)	1.5
Standby Power (W)	2.2
Rated Voltage (V)	220 - 240
Operating Pressure	1.5 - 5.0 Bar
Plug Type	Fused 13A 3 Pin Plug
Power Cord Length (mm)	910
Function Type	Touch Screen Digital Control

# Why Fohen?



## Purity Filtered.

The difference is in the taste. Fohen Carbon Purity Filters remove almost all limescale and chemical impurities found in mains water making it perfect for even hard water regions.



## Water Saving.

Having 2.4 litres of piping hot 98.9°C water literally on tap means you will only ever use the exact amount of water you need, leaving kettle filling guestimates a thing of the past.



## Energy Efficient.

Studies show that a standard kettle costs, on average, 2.5p to boil once. The Fohen system costs as little as 5p per day to run, making it one of the most efficient kitchen appliances available today.



## Looking Good.

Our taps are designed to make every kitchen look great. Using the latest coating technology, the super-durable finish of our coloured taps will outlast any traditional finishing techniques.



## Innovative.

Using cutting-edge design, engineering and manufacturing technologies allows the team at Fohën to produce aspirational Instant Boiling Water Taps at highly affordable prices.



## Space Saving.

Measuring at an impressively compact 315 x 210 x 210mm, the Fohen Instant Boiling Water tank is able to fit seamlessly under almost any kitchen counter, without obstruction.



## Built To Last.

Manufactured from the highest grade raw materials and individually human-hand tested, it is the care invested into crafting each tap that makes Fohen one of the most trusted producers in our field.



## Extra Safe.

Each tap comes with a spring-loaded safety catch. Boiling water is only accessible when the catch is held down, and once the hand is removed from the handle, the water supply is instantly shut off.



## Time Saving.

With the average adult boiling the kettle 4 times per day at an average boil time of 85 seconds, a Fohen Instant Boiling Water Tap would save 1.4 days every year simply waiting for the kettle to boil.



## Professional Support.

Have a question or need a helping hand? Our knowledgeable customer service team are more than happy to give free, quality advice.

Fohen Furnas shown in Brushed Gunmetal Grey | CK02M



# Design Features of a Fohen tap.

## Design expertise.

Good design often means as little design as possible, paring down to only the essential elements required to achieve the desired effect. Our products deliver great results and look great by simply adhering to this principle.

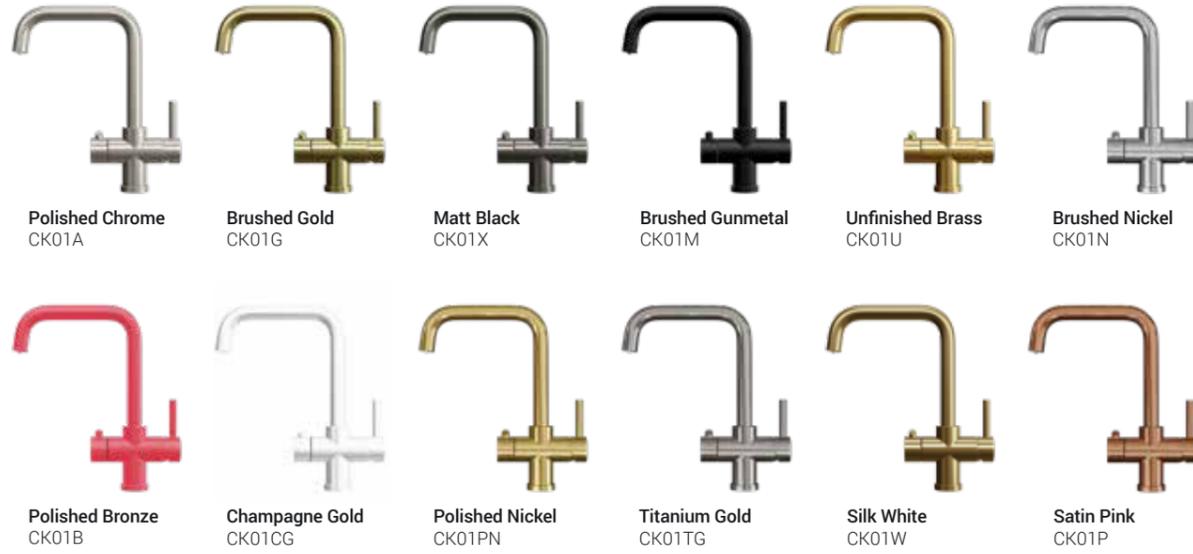
- 1 High quality 3-in-1 kitchen tap available in up to 13 colour finishes.
- 2 Cool touch technology integrated into each 360° swivel spout.
- 3 In-built hydro-aerator for hot and cold mains supplied water.
- 4 Hot and cold mixer lever handle for regular mains supplied water.
- 5 Child-safe, double spring loaded safety handle.
- 6 Precision engineered brass construction, individually tested by hand.
- 7 Colour coded worktop collar.

Fohen Florence shown in Brushed Gold | **FK06G**



# Fohen at a glance.

## Fahrenheit



## Furnas



## Fantale



## Flex



## Flare



## Figaro



## Florence





# Fahrenheit

## Engineered in style.

Simplicity by design. This is the essence of the Fahrenheit range. Poised and with an understated modern feel, discover elegantly refined boiling water taps made with usability in mind. A contemporary looking tap made to stand the test of time.

### All Fahrenheit systems include:

- Fohen Fahrenheit 3-in-1 tap
- 2.4 Litre boiling tank
- Carbon Purity Filter
- All hoses, fittings & fixings required

### The Fohen Fahrenheit Collection

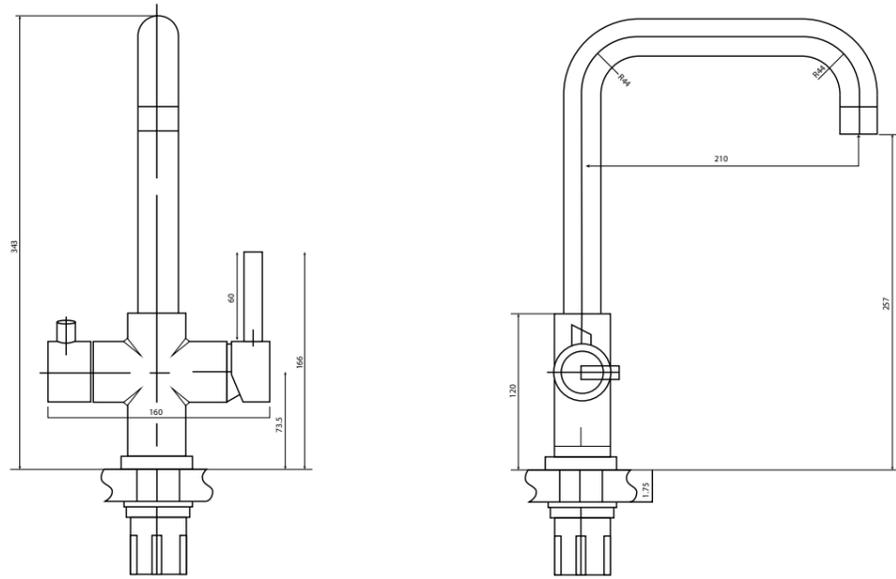
Available in 12 colour finishes

	<b>Polished Chrome</b> CK01A		<b>Polished Bronze</b> CK01B
	<b>Brushed Gold</b> CK01G		<b>Champagne Gold</b> CK01CG
	<b>Matt Black</b> CK01X		<b>Polished Nickel</b> CK01PN
	<b>Brushed Gunmetal Grey</b> CK01M		<b>Titanium Gold</b> CK01TG
	<b>Unfinished Brass</b> CK01U		<b>Silk White</b> CK01W
	<b>Brushed Nickel</b> CK01N		<b>Satin Pink</b> CK01P



Fohen Fahrenheit shown in Polished Chrome | CK01A

# The **Fahrenheit** Range.



Element	Specification
Range	Fahrenheit
Colour Finish Options	12
Tap Height (mm)	343
Spout Projection (mm)	210
Product Weight (Kg)	2.33
Construction Material	Brass
Installation Type	Deck Mounted
Flow Rate	2 Litres Per Minute
Child Safety	Spring Lock Mechanism
Cartridge Type	35mm Cartridge
Thermostat Cartridge Type	18mm Cartridge
Flow Type	Tri Flow
Handle Type	Lever
Swivel Spout	Yes
Tap Tails Included	Yes
Inlet Connection	1/2" BSP Flexible Tails
Worktop Hole	Ø 35mm



# Furnas

## Contemporary design.

Minimalist design meets the traditional swan neck tap spout. The Fohen Furnas offers style and sophistication to any new kitchen design and delivers new life to those upgrading or refreshing their current interiors.

### All Furnas systems include:

- Fohen Furnas 3-in-1 tap
- 2.4 Litre boiling tank
- Carbon Purity Filter
- All hoses, fittings & fixings required

### The Fohen Furnas Collection

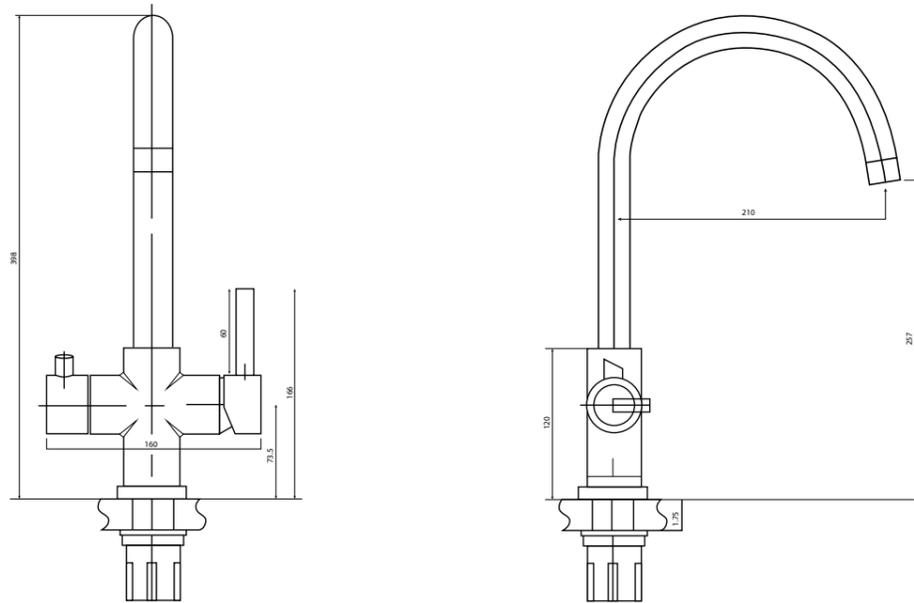
Available in 13 colour finishes

	<b>Polished Chrome</b> CK02A		<b>Champagne Gold</b> CK02CG
	<b>Brushed Gold</b> CK02G		<b>Polished Nickel</b> CK02PN
	<b>Matt Black</b> CK02X		<b>Titanium Gold</b> CK02TG
	<b>Brushed Gunmetal Grey</b> CK02M		<b>Silk White</b> CK02W
	<b>Unfinished Brass</b> CK02U		<b>Satin Pink</b> CK02P
	<b>Brushed Nickel</b> CK02N		<b>Brushed Copper</b> CK02C
	<b>Polished Bronze</b> CK02B		



Fohen Furnas shown in Brushed Gunmetal Grey | CK01M

# The Furnas Range.



Element	Specification
Range	Furnas
Colour Finish Options	13
Tap Height (mm)	398
Spout Projection (mm)	210
Product Weight (Kg)	2.33
Construction Material	Brass
Installation Type	Deck Mounted
Flow Rate	2 Litres Per Minute
Child Safety	Spring Lock Mechanism
Cartridge Type	35mm Cartridge
Thermostat Cartridge Type	18mm Cartridge
Flow Type	Tri Flow
Handle Type	Lever
Swivel Spout	Yes
Tap Tails Included	Yes
Inlet Connection	1/2" BSP Flexible Tails
Worktop Hole	Ø 35mm



Polished Chrome  
CK02A



Brushed Gold  
CK02G



Matt Black  
CK02X



Brushed Gunmetal  
CK02M



Unfinished Brass  
CK02U



Brushed Nickel  
CK02N



Polished Bronze  
CK02B



Champagne Gold  
CK02CG



Polished Nickel  
CK02PN



Titanium Gold  
CK02TG



Silk White  
CK02W



Satin Pink  
CK02P



Brushed Copper  
CK02C

# Fantale

## Classic form. Modern function.

If the style of your kitchen has more of a traditional look, the Fohen Fantale range offers all the performance of up-to-the-minute tap design with a timeless period look. Enjoy ageless Fohen quality as the centrepiece to your classic kitchen.

### All Fantale systems include:

- Fohen Fantale 3-in-1 tap
- 2.4 Litre boiling tank
- Carbon Purity Filter
- All hoses, fittings & fixings required

### The Fohen Fantale Collection

Available in 4 colour finishes



**Polished Chrome**  
TK01A



**Brushed Gold**  
TK01G



**Matt Black**  
TK01X

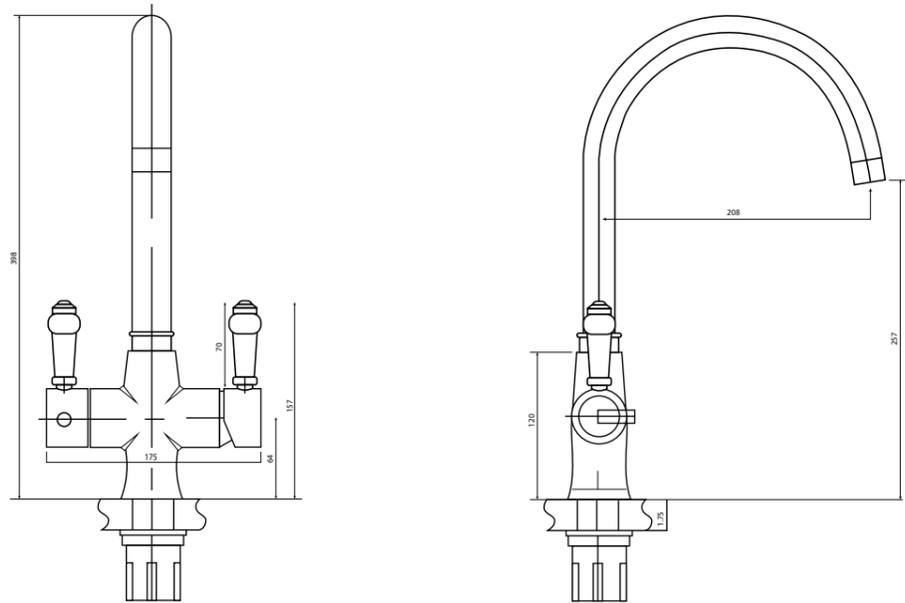


**Brushed Gunmetal Grey**  
TK01M



Fohen Fantale shown in Brushed Gold | TK01G

# The Fantale Range.



Element	Specification
Range	Fantale
Colour Finish Options	4
Tap Height (mm)	398
Spout Projection (mm)	208
Product Weight (Kg)	2.33
Construction Material	Brass
Installation Type	Deck Mounted
Flow Rate	2 Litres Per Minute
Child Safety	Spring Lock Mechanism
Cartridge Type	35mm Cartridge
Thermostat Cartridge Type	18mm Cartridge
Flow Type	Tri Flow
Handle Type	Lever
Swivel Spout	Yes
Tap Tails Included	Yes
Inlet Connection	1/2" BSP Flexible Tails
Worktop Hole	Ø 35mm



Polished Chrome  
TK01A



Brushed Gold  
TK01G



Matt Black  
TK01X



Brushed Gunmetal  
TK01M



# Flex

## Redesigned. Revolutionary.

With a 360° swivel boiling waterspout and a separate hand-held flexible spout, the Fohen Flex truly is our most versatile boiling water tap to date. This high quality 3-in-1 kitchen tap system is available in a range of four stunning contemporary finishes.

### All Flex systems include:

- Fohen Flex 3-in-1 tap
- 2.4 Litre boiling tank
- Carbon Purity Filter
- All hoses, fittings & fixings required

### The Fohen Flex Collection

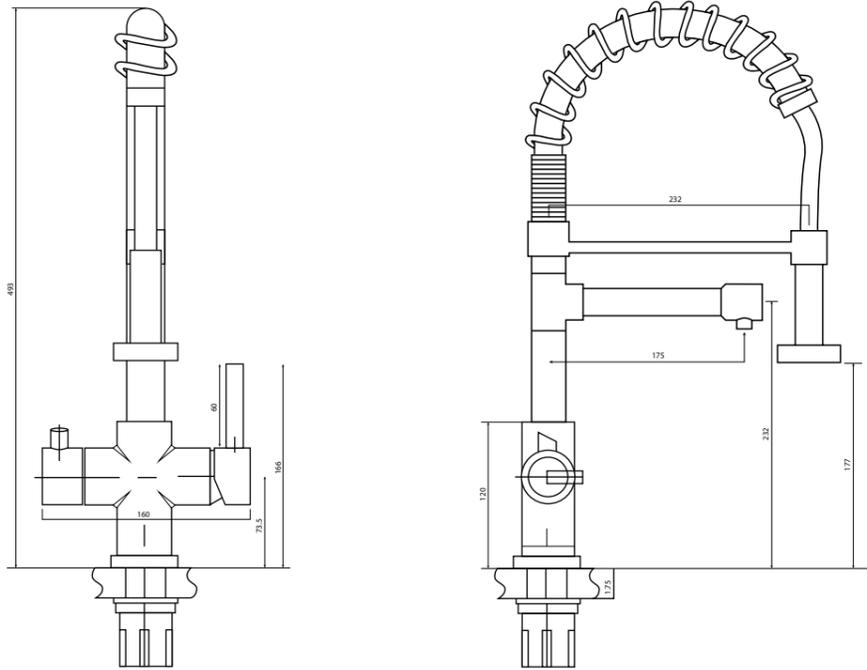
Available in 4 colour finishes

-  **Polished Chrome**  
FK01A
-  **Brushed Gold**  
FK01G
-  **Matt Black**  
FK01X
-  **Unfinished Brass**  
FK01U

Fohen Flex shown in Matt Black | **FK01X**



# The **Flex** Range.



Element	Specification
Range	Flex
Colour Finish Options	4
Tap Height (mm)	493
Spout Projection (mm)	232 / 175
Product Weight (Kg)	3.62
Construction Material	Brass
Installation Type	Deck Mounted
Flow Rate	2 Litres Per Minute
Child Safety	Spring Lock Mechanism
Cartridge Type	35mm Cartridge
Thermostat Cartridge Type	18mm Cartridge
Flow Type	Tri Flow
Handle Type	Lever
Swivel Spout	Yes
Tap Tails Included	Yes
Inlet Connection	1/2" BSP Flexible Tails
Worktop Hole	Ø 35mm



Polished Chrome  
FK01A



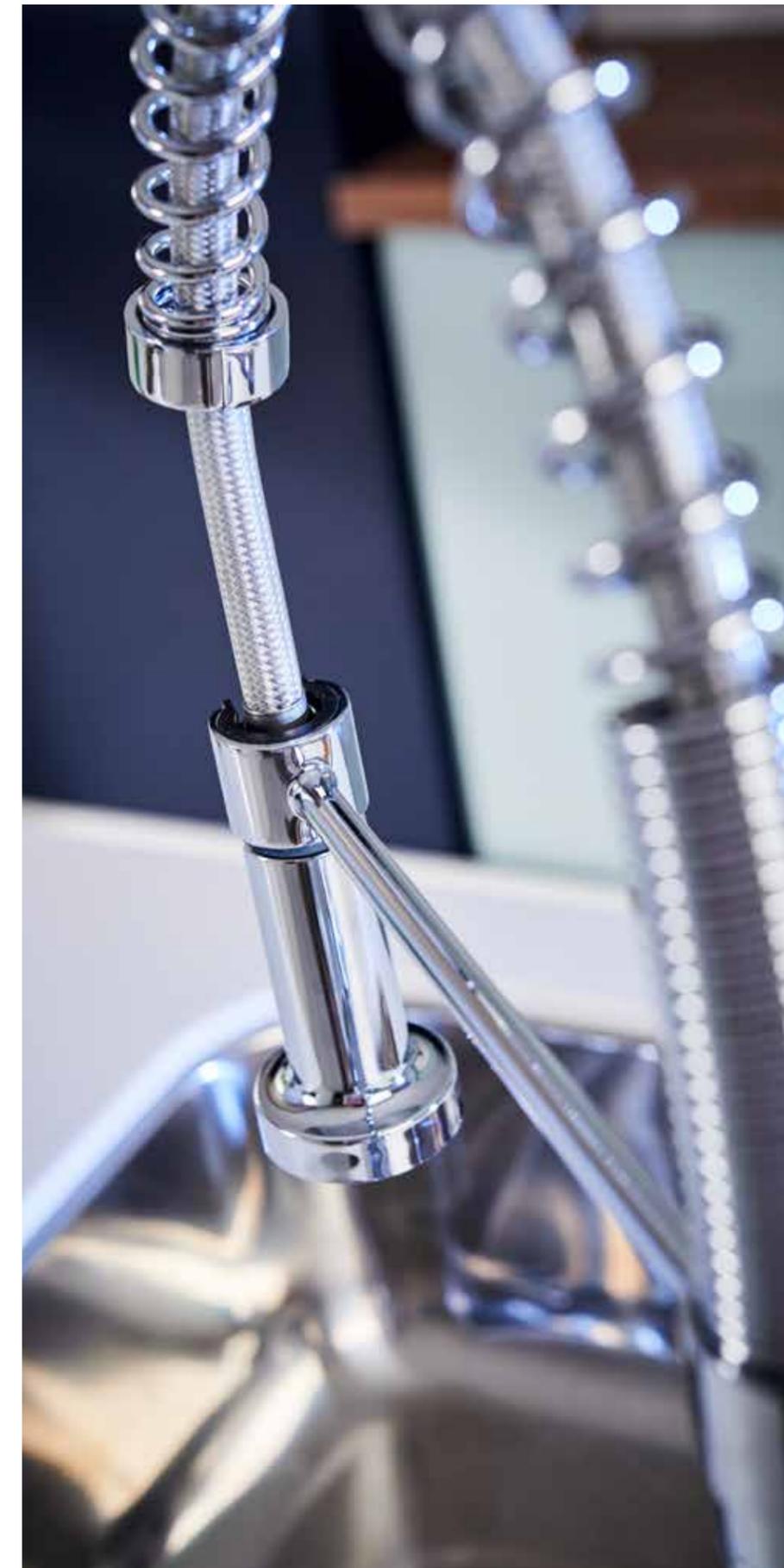
Brushed Gold  
FK01G



Matt Black  
FK01X



Unfinished Brass  
FK01U





# Flare

## Traditional functionality.

Classic ceramic handles meet with the modern functionality of a 360° swivel boiling waterspout with a separate hand-held flexible spout. Durable and precision engineered, the Fohen Flare is a bold blend of the contemporary and the traditional.

### All Flare systems include:

- Fohen Flare 3-in-1 tap
- 2.4 Litre boiling tank
- Carbon Purity Filter
- All hoses, fittings & fixings required

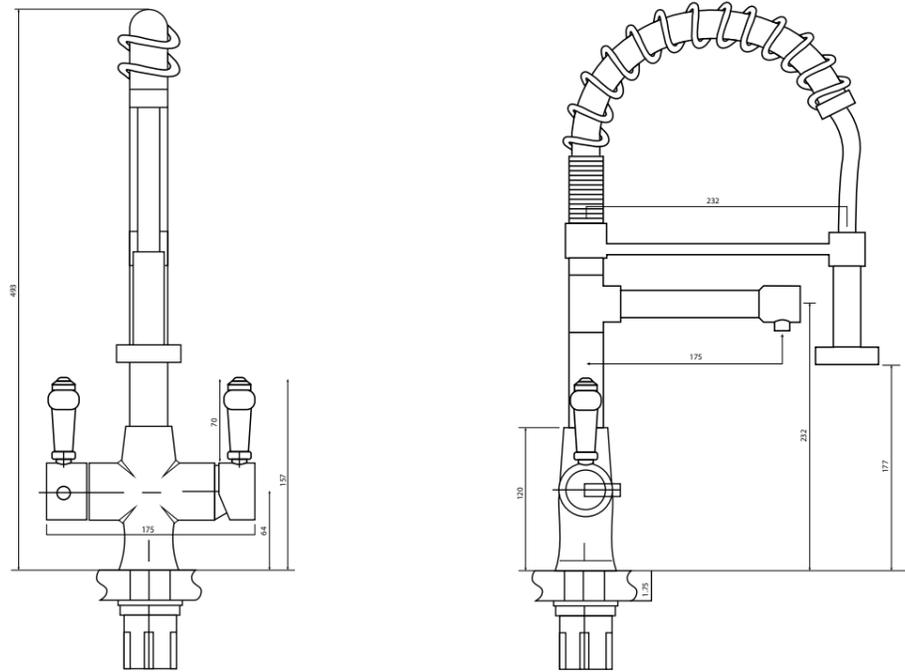
### The Fohen Flare Collection

Available in 3 colour finishes



Fohen Flare shown in Polished Chrome | FK02A

# The **Flare** Range.



Element	Specification
Range	Flare
Colour Finish Options	3
Tap Height (mm)	493
Spout Projection (mm)	232 / 175
Product Weight (Kg)	3.62
Construction Material	Brass
Installation Type	Deck Mounted
Flow Rate	2 Litres Per Minute
Child Safety	Spring Lock Mechanism
Cartridge Type	35mm Cartridge
Thermostat Cartridge Type	18mm Cartridge
Flow Type	Tri Flow
Handle Type	Lever
Swivel Spout	Yes
Tap Tails Included	Yes
Inlet Connection	1/2" BSP Flexible Tails
Worktop Hole	Ø 35mm



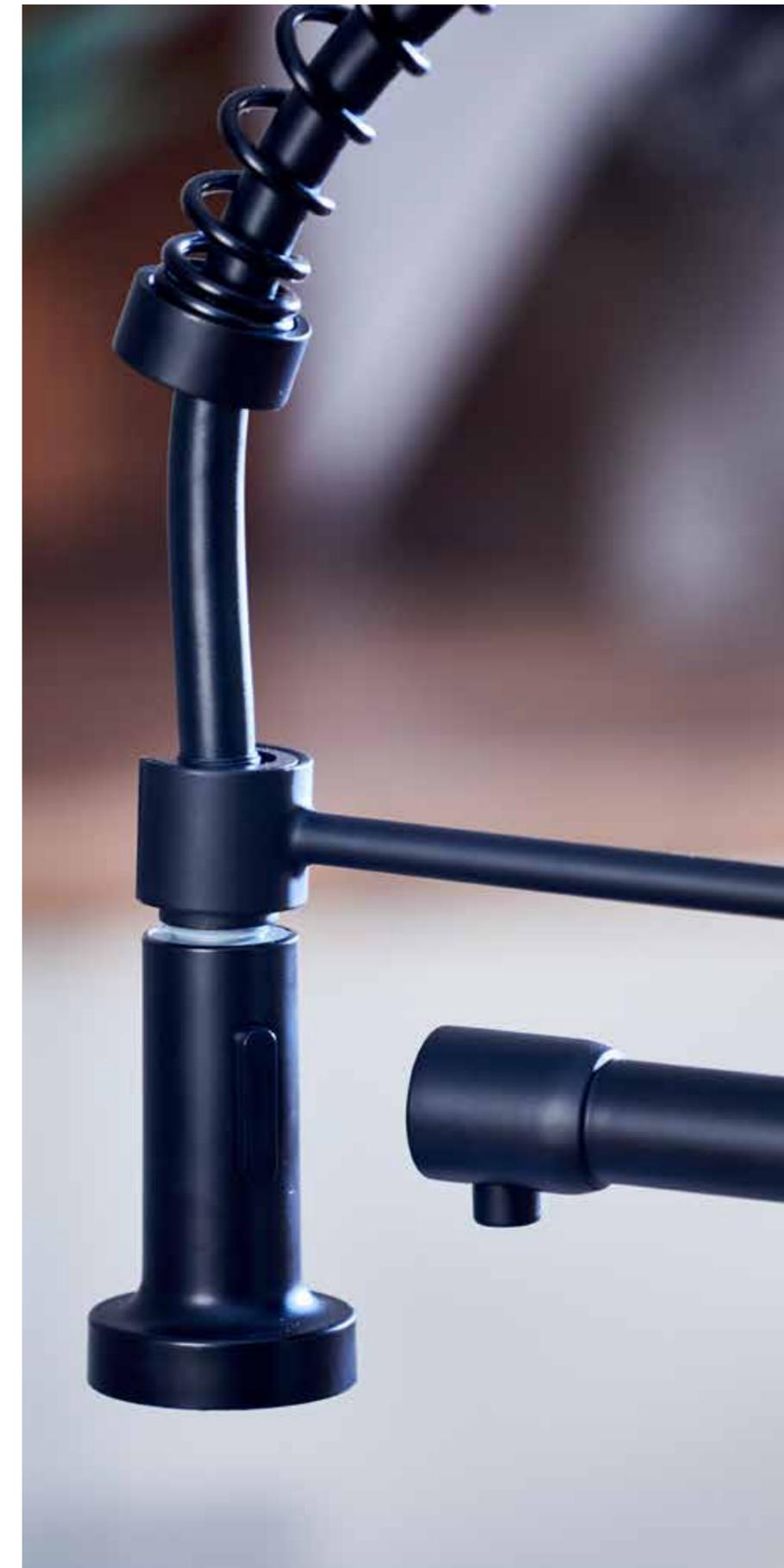
Polished Chrome  
FK02A



Brushed Gold  
FK02G



Matt Black  
FK02X



# Figaro

## Make a solid statement.

The Figaro is a square base single tap which unites both mixer and boiling water functions. Available in three different finishes – whether your taste is for bright chrome or the dark modernism of matt black, this boiling water tap always looks right at home.

### All Figaro systems include:

- Fohen Figaro 3-in-1 tap
- 2.4 Litre boiling tank
- Carbon Purity Filter
- All hoses, fittings & fixings required

### The Fohen Figaro Collection

Available in 3 colour finishes



**Polished Chrome**  
CK05A



**Brushed Gold**  
CK05G

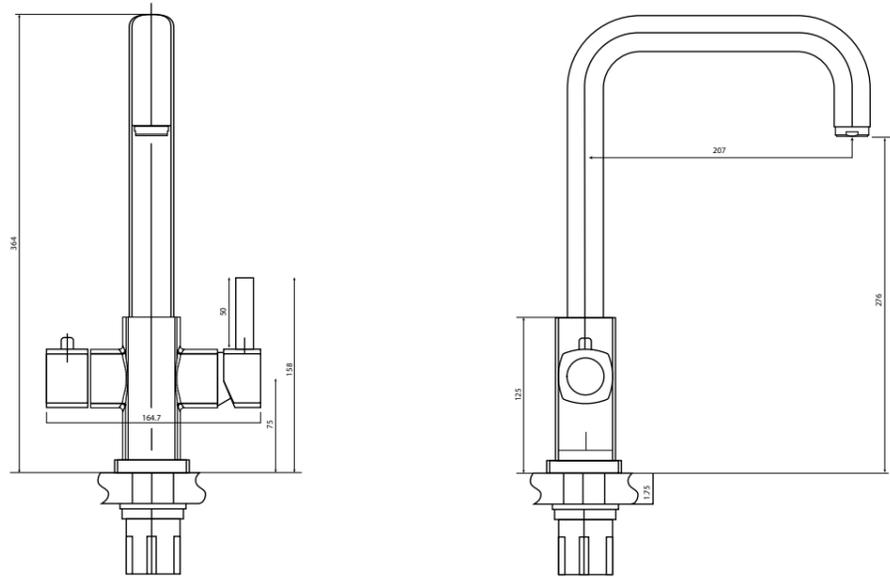


**Matt Black**  
CK05X



Fohen Figaro shown in Brushed Gold | CK05G

# The Figaro Range.



Element	Specification
Range	Figaro
Colour Finish Options	3
Tap Height (mm)	364
Spout Projection (mm)	210
Product Weight (Kg)	2.33
Construction Material	Brass
Installation Type	Deck Mounted
Flow Rate	2 Litres Per Minute
Child Safety	Spring Lock Mechanism
Cartridge Type	35mm Cartridge
Thermostat Cartridge Type	18mm Cartridge
Flow Type	Tri Flow
Handle Type	Lever
Swivel Spout	Yes
Tap Tails Included	Yes
Inlet Connection	1/2" BSP Flexible Tails
Worktop Hole	Ø 35mm



Polished Chrome  
CK05A



Brushed Gold  
CK05G



Matt Black  
CK05X



# Florence

## Modern, robust, and elegant.

Classical elements balance with clean cut contemporary style in this stunning boiling water tap design. The Fohen Florence has a confident personality ideal for any modern home and will add an eye-catching finishing touch to all kitchens.

### All Florence systems include:

- Fohen Florence 3-in-1 tap
- 2.4 Litre boiling tank
- Carbon Purity Filter
- All hoses, fittings & fixings required

### The Fohen Florence Collection

Available in 3 colour finishes



**Polished Chrome**  
CK06A



**Brushed Gold**  
CK06G

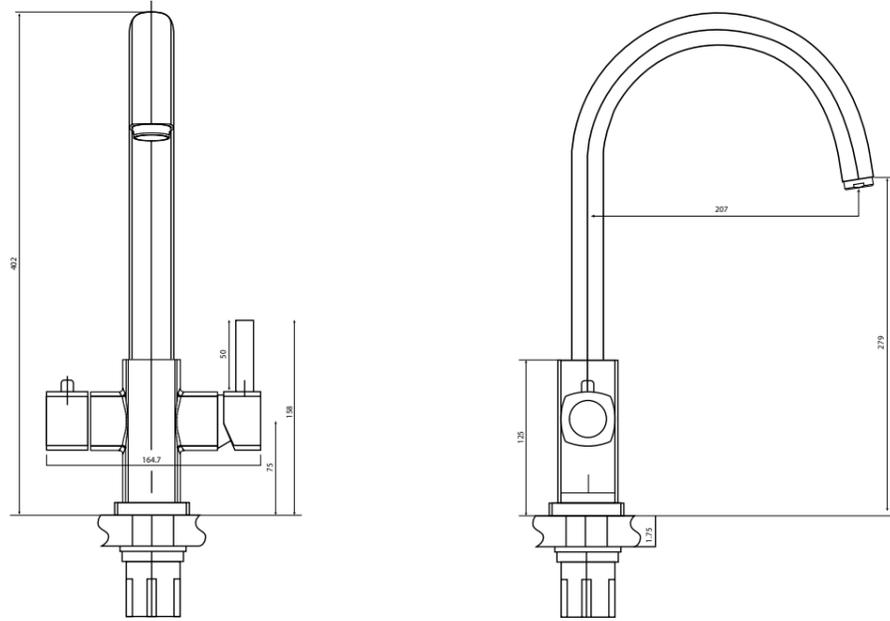


**Matt Black**  
CK06X



Fohen Florence shown in Brushed Gold | CK06G

# The **Florence** Range.



Element	Specification
Range	Florence
Colour Finish Options	3
Tap Height (mm)	402
Spout Projection (mm)	210
Product Weight (Kg)	2.33
Construction Material	Brass
Installation Type	Deck Mounted
Flow Rate	2 Litres Per Minute
Child Safety	Spring Lock Mechanism
Cartridge Type	35mm Cartridge
Thermostat Cartridge Type	18mm Cartridge
Flow Type	Tri Flow
Handle Type	Lever
Swivel Spout	Yes
Tap Tails Included	Yes
Inlet Connection	1/2" BSP Flexible Tails
Worktop Hole	Ø 35mm



**Polished Chrome**  
CK06A



**Brushed Gold**  
CK06G



**Matt Black**  
CK06X



# Carbon Purity **Filter.**

## Innovation. Ingenuity.

Our Fohën Carbon Purity Filter works hard to remove calcium, magnesium, chlorine and dirt particles from your supply, providing you with cleaner, crisper water.

The removal of these minerals will help to drastically reduce the effects of limescale build up and lengthen the lifespan of your Fohën tank. This makes replacing your filter every 3-6 months essential to maintaining your warranty.

## Quick & Simple to Replace.

Replacing your Carbon Purity Filter takes as little as 5 seconds, with our unique twist & pull design.



## Features.

- Replaces in seconds
- No tools required
- No plumber required
- Express delivery available
- Maintains product warranty

Element	Specification
Replacement Cycle	6 Months
PE Tube Length (mm)	1000
Fittings Included	Yes
Rated Water Capacity	3.5 l/m
Connection 1	1/2" BSP Male & PE Tube Adaptor
Connection 2	1/2" BSP Female & PE Tube Adaptor

# You've got questions. **We've got answers.**

## How do boiling water taps work?

The tap is connected to a small boiler, which fits under your sink and takes water from your kitchen's existing cold-water supply. The water stays in the tank, heated to the temperature you choose using the touchscreen controller, until you want to dispense any boiling water.

## Is it like having the kettle boiling all day?

Yes, but much cheaper and much more efficient. According to Npower, the average kettle costs about 2.5p-3p to boil 1.5 litres. The Fohën Instant Boiling Water Tap costs as little as 5p per day to operate. The water in the tank is heated to the temperature you choose (adjustable between 75 – 98.9 °C) and is dispensed simply by turning the boiling water handle on your tap.

This innovative boiler can keep a full 2.4l of water heated to 98.9 °C all day for the same amount it costs to boil a kettle once your kitchen's existing cold-water supply. The water stays in the tank, heated to the temperature you choose using the touchscreen controller, until you want to dispense any boiling water.

## Can I install a boiling water tap myself?

If you're DIY savvy, you should be able to follow the instructions in the box. However, we would recommend calling a plumbing professional to avoid any kitchen nightmares. No need to call the electrician. We've designed the Fohën Instant Boiling Water System to be as easy to install as possible.

## Does the Carbon Purity Filter provide filtered drinking water?

No. The filter works to remove chemicals from your mains water supply leading to the boiling unit. This prevents a build-up of limescale on the heating element and allows us to offer a 2 year warranty on the product. The Carbon Purity Filter doesn't filter the standard hot and cold water outlets.

## How safe are boiling water taps?

Fohën taps come with child-safe locks, which are double spring-loaded meaning the tap can't be left running or turned on by inquisitive little ones. The spouts are cool to the touch and designed to pour a steady, low-pressure flow with no spluttering. We've tested them hundreds of times, so we can confidently say they're safe to use.

# fohen

---

Fohen Ltd  
Building 3  
Leeds City West Business Park  
Gelderd Road  
LS12 6LN

**Freephone**  
0808 196 2480

**Email**  
[hello@fohen.co.uk](mailto:hello@fohen.co.uk)

**[fohen.co.uk](http://fohen.co.uk)**