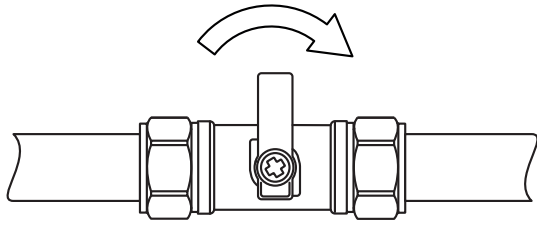
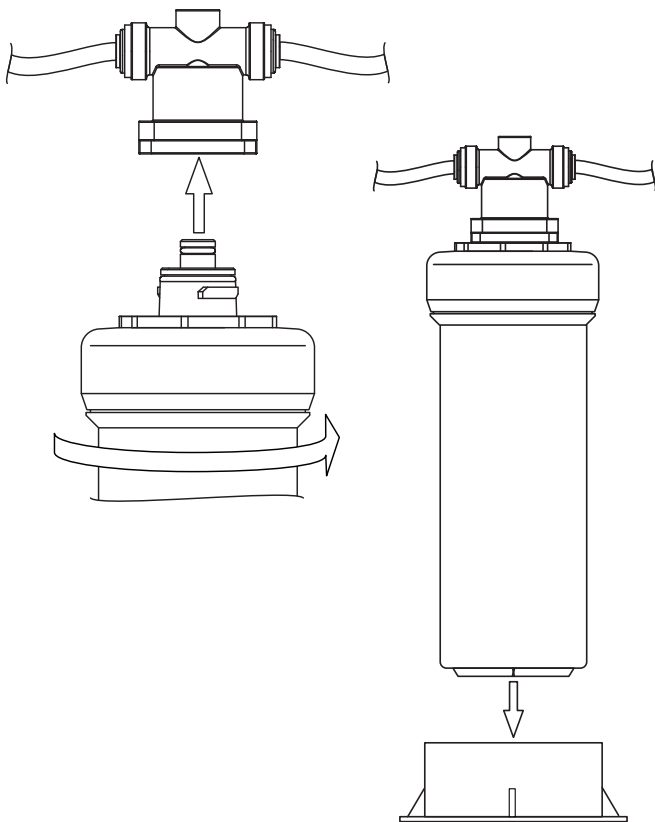


## Filter Installation Instructions

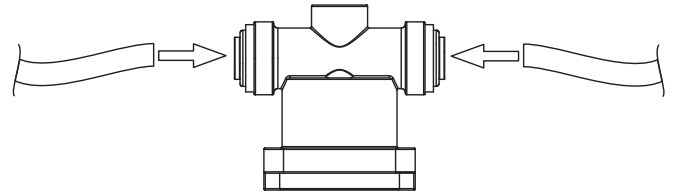
- 1** Isolate mains water supply.



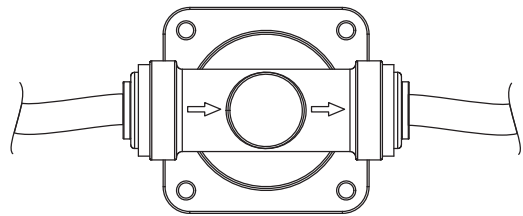
- 3** Connect filter to filter head, position in filter socket supplied (ensure socket is screwed in place).



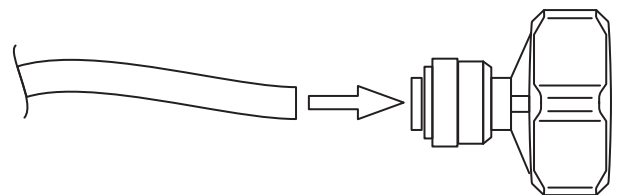
- 2** Connect pipes into filter head, cut to length.



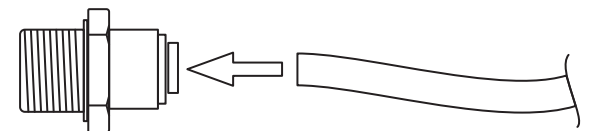
- 4** Note direction of flow on filter head.



- 4a** Connect to tap hose feed to boiler - see tap and boiler instructions.



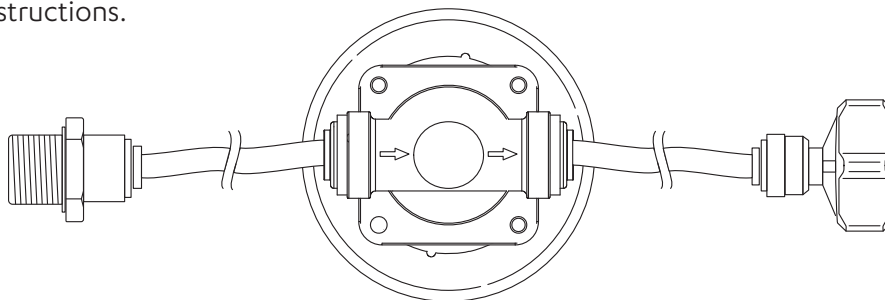
Boiler



Tap hose feed to boiler

- 5** Connect to tap hose feed to boiler - see tap and boiler instructions.

- 6** Connect filter head to boiler mains water inlet.



- 7** Flush the filter for at least 5 minutes by operating the boiling water tap.