

Fohen

Fedina & Fervente

Models

C07(A,U,X); C08(A,U,X) 4 in 1 Boiling Chilled system



Fohen verified original instructions: EN version.

Table of contents

SECTION 1 Using these instructions	3
Before you start	3
Explanation of symbols	3
Explanation of acronyms	3
SECTION 2 IMPORTANT SAFETY INSTRUCTIONS.....	4
SECTION 3 WARNINGS & REGULATORY INFORMATION.....	6
SECTION 4 Technical data	8
4.1 Explanation of product codes	8
4.2 Technical data table.....	8
SECTION 5 Components supplied	9
SECTION 6 Installing the system	10
6.1 Positioning and ventilation	10
6.2 Pipes and tubes	11
6.3 In cupboard arrangement	11
6.4 Push fit best practice	12
6.5 Tap installation	13
6.6 Connect the water supply.....	15
6.7 Under counter chiller connections.....	16
6.8 Under counter boiler manifold connections.....	17
6.9 Earth continuity test	18
6.10 Connect the electricity supply	19
SECTION 7 Commissioning.....	20
7.1 Commissioning	20
SECTION 8 Operation.....	21
8.1 To dispense water from the tap.....	21
SECTION 9 Maintenance	22
9.1 Replace and flush the filter	22
9.2 Cleaning	23
SECTION 10 Troubleshooting.....	23
Environmental information	26
Warranty.....	26

SECTION 1 Using these instructions

Before you start



Read and use the instructions supplied with individual kit components for a safe installation.

This manual is also available at our website www.fohen.com

Explanation of symbols



Read the
instructions



WARNING



Danger of
electric shock



Hot surface



Highly
flammable

Explanation of acronyms

DMM - digital multi meter.

SECTION 2 IMPORTANT SAFETY INSTRUCTIONS



These safety instructions are generic and apply to the boiling water system.

For the chilled water system, read the safety instructions specific to the chilled water system in the installation and user instructions supplied with the Blupura Piccola Box chiller.



Compliance

In the UK the system must be installed in accordance with water supply byelaws, current IEEE regulations and local authority byelaws.

Safety

This appliance is not intended for use by children under 8 years or persons (including children under 8 years) with reduced physical, sensory or mental capabilities, or lack of experience and knowledge, unless they have been given supervision or instruction concerning the use of the appliance by a person responsible for their safety. Children should be supervised to ensure that they do not play with the appliance.

Cleaning and user maintenance shall not be made by children without supervision.

Qualifications

To avoid hazards, all installation procedures must be carried out by a suitably qualified tradesperson. The power cable and power outlet must be in a safe visible position for connection.

Venting

Sometimes steam and / or boiling water droplets may discharge through the outlet on the tap.

Lifting

Take care when lifting. The appliance may exceed safe lifting limits. If you feel this is beyond your personal capabilities, please seek assistance with the lift. Do not lift the appliance by the front cover or any of its connections.

Airflow

The appliance operates within the ambient temperature range 5°C -

SECTION 2 IMPORTANT SAFETY INSTRUCTIONS

30°C. Proper air circulation must be provided. The system will operate satisfactorily only if the recommended air gaps are provided.

Frost protection

This appliance is not designed for outdoor use.

Ensure that the appliance is not installed in an area where the ambient air temperature cannot fall below 5°C and freeze.

If there is a possibility that the ambient air temperature will fall below 5°C the system must be drained of water.

Shut-off the mains supply and unplug the appliance from the electricity mains and allow the tank to cool for at least 1 hour.

Disconnect the inlet supply to the tank and remove the silicone hose outlet pipe, lift the unit to the sink, turn upside down and drain all the water from the tank. When reinstalling follow the original installation instructions.

Servicing

Access to the interior of the appliance to perform service operations is restricted. A screwdriver is required to remove the access covers.

Application

The appliance is intended to be installed in a domestic environment, where it can be used by members of the public who train themselves in it's use, by reading the instructions supplied with the appliance.


SECTION 3 WARNINGS & REGULATORY INFORMATION



These warnings are generic and apply to the boiling water system.

For the chilled water system, read the warnings specific to the chilled water system in the installation and user instructions supplied with the Blupura Piccola Box chiller.



- FOR CONTINUED SAFETY OF THIS APPLIANCE IT MUST BE INSTALLED, OPERATED AND MAINTAINED IN ACCORDANCE WITH THE MANUFACTURER'S INSTRUCTIONS.
-  The under counter boiler must be earthed, earthing is provided via the supplied power cord. The resistance of the earth connection to each exposed metal part must be less than 1Ω. Use the power cable supplied. It is the responsibility of the installer to ensure the power point is earthed.
- All installation and service work must be completed by trained and suitably qualified tradespeople. Faulty operation due to unqualified persons working on this product, may void warranty coverage.
- As the installer, it is your responsibility to supply and install all valves as required by local regulations and relevant standards.
- The appliance is rated for 230V 50Hz AC operation.
- Do not remove the cover of the under counter boiler without first isolating it from the power supply.
- Connect only to a potable (wholesome, cat1) mains water supply.
- Never locate the system near, or clean with water jets.
- Do not expose the system to the elements of nature.
- A pressure limiting valve must be fitted for mains water pressures above the max. limits stated.
- Use of tools can be hazardous, assess the risks before you start.
- A clearance envelope around the under counter appliances must be

SECTION 3 WARNINGS & REGULATORY INFORMATION

provided to allow adequate ventilation and service access for their safe and effective use.

- Valve and fitting threads must be sealed appropriately with PTFE tape where compression seals are not provided.
- Do not over tighten plumbing and hose connections.
- The power cords and power outlets must be in a safe and accessible position after installation. When positioning the under counter appliances, ensure power supply cords are not trapped or damaged. If damaged they must be replaced by a Fohen service provider or a qualified electrician.
- Fohen cannot be held responsible for any appliance malfunction if the water pressure exceeds that stated. If in doubt, consult your water supply company.
- Ensure that all installed silicone tubes are shaded from direct sunlight.
- Fohen cannot be held responsible for limescale related problems even when a limescale reducer has been installed.
- If your appliance is left idle before use, for water taste and quality reasons, any non-use of more than 48 hours, we recommend a system flush be performed. On first use after a period of non-use, run the chilled function for 60 seconds to flush the filter and system. Not flushing the system may affect the water quality. If taste or water quality issues persist, a filter change and sanitisation may be required.
- The new detachable hose sets supplied with the appliance must be used. Do not re-use old hose sets.
- Place the appliance in an environment suitable for its size and use, making sure that it is placed in a horizontal position, make sure that the appliance does not have an inclination greater than 2°.

SECTION 4 Technical data

4.1 Explanation of product codes

Range		Tap		Tap finish	
C	4 in1	07	Fedina	A	Chrome
		08	Fervente	U	Brass
				X	Black

Tap models

- Fedina - square neck
- Fervente - swan neck

4.2 Technical data table Under counter boiler

Specification	Unit	Under counter boiler
Capacity	L	2.4
Dimensions (W x D x H)	mm	210 x 210 x 315
Supply supply	V AC	220-240 (50Hz)
Power rating	kW	1.5
Current rating	A	6.5 (@230V)
Fuse rating	A	13
Mains water supply pressure	bar (MPa)	1.5 - 3 (0.15-0.3)
Fill type		manual
Functional temperature	°C	5 - 30
Weight (empty)	kg	3.9
Weight (full)	kg	6.4
Output water temperature set points	°C	75, 85, 90, 95, 98

Under counter chiller



Refer to the instruction manual supplied with the Blupura Piccola Box under counter chiller.

SECTION 5 Components supplied

5.1 Supplied parts checklist



An appropriate pressure limiting valve must be fitted for mains water pressures above 0.3 MPa, in accordance with local plumbing regulations.

- Before starting installation check that you have the following parts.

Qty	Description
Under-counter boiler kit	
1	Boiler
1	Tap
1	G 3/8" female & G 1/2" male adapter with washer
1	G 3/8" female & quick connection adapter with washer
Under-counter chiller kit	
1	Chiller
1	IEC 13A power lead
1	John Guest Plug 1/4"
2	John Guest White Acetal Stem Elbow 1/4" × 1/4"
2	John Guest LLDPE Tubing 1/4"
1	John Guest Two Way Divider 1/4" × 1/4" × 1/4"
Filter kit	
1	Inlet Connector 3/8" BSP to 1/2" BSP
2	John Guest LLDPE Tubing 1/4"
1	Filter Head
1	Dual action Filter

SECTION 6 Installing the system

6.1 Positioning and ventilation



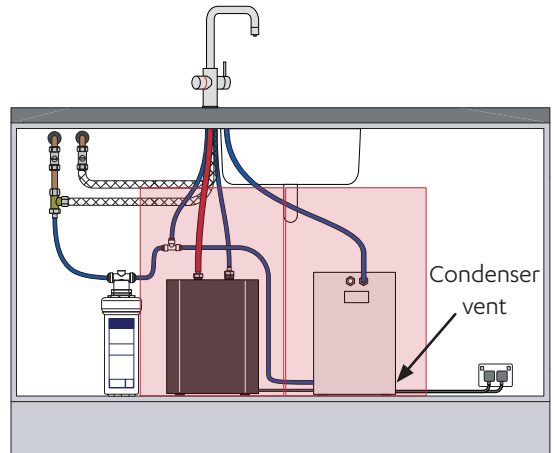
Use of tools can be hazardous, assess the risks before you start.



Use instructions supplied with individual kit parts.



- A clearance envelope
100mm both sides and
200mm above each under
counter appliance must be
provided to allow service
access and ventilation for the
safe and effective use of the
appliances.
- Adequate ventilation must
be provided to allow cold air
to be drawn into the bottom
of the cupboard, and hot air
expelled from the top of the
cupboard.
- 4mm door buffers must be fitted to provide sufficient gaps for required inlet air flow.
- Do not obstruct the condenser vent on the right hand side of the chiller.
- Cupboard temperatures should not exceed 30°C.



Clearance envelope

SECTION 6 Installing the system

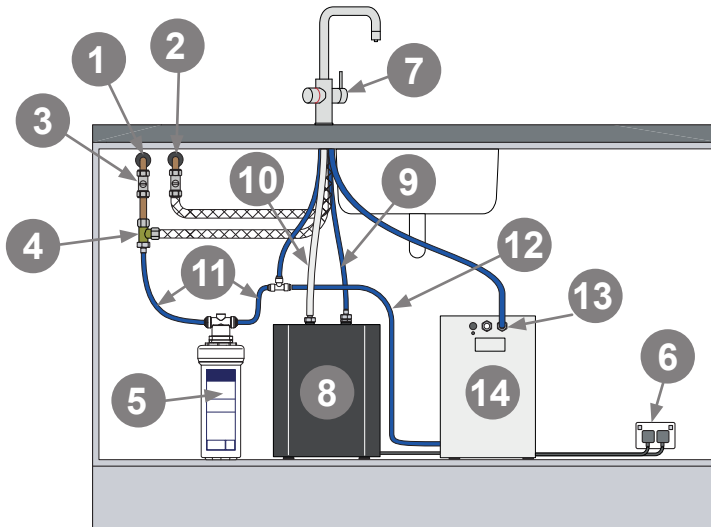
6.2 Pipes and tubes



Install pipes & tubes correctly. No kinks, sags, pinches or loops. Ensure there is a constant fall from the tap down to the appliance.

6.3 In cupboard arrangement

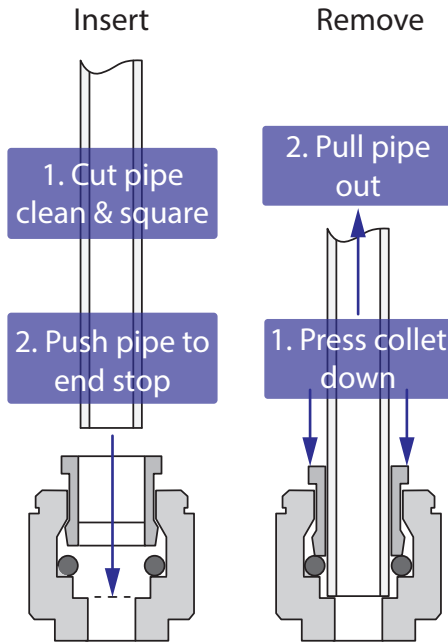
- Install the tap as close to the boiler as possible, use the illustration below as a guide, and follow the steps through this section of the manual.



- | | | | |
|---|------------------------------|----|------------------------------------------------|
| 1 | Cold Mains water supply | 8 | Under counter boiler |
| 2 | Hot Mains water supply | 9 | Boiler water inlet 1/4" pipe |
| 3 | Mains water Isolation valves | 10 | Boiler outlet silicone tube |
| 4 | T piece | 11 | 1/4" blue pipe |
| 5 | Filter & filter head | 12 | Chiller water inlet 1/4" pipe |
| 6 | Mains electricity supply | 13 | Chiller water outlet 1/4" pipe |
| 7 | Tap | 14 | Under counter chiller :
Blupura Piccola Box |

SECTION 6 Installing the system

6.4 Push fit best practice



SECTION 6 Installing the system

6.5 Tap installation

Tools needed for tap installation

In addition to normal tools, the following (or equivalent equipment) will be required, (not supplied).

- 35mm diameter sheet metal hole punch for sinks.
- 35mm diameter hole saw for worktops.
- 14mm spanner for fixing the tap assembly.



Be aware of the risks of hazards which could cause harm when using tools.
Assess the risks before starting the installation.

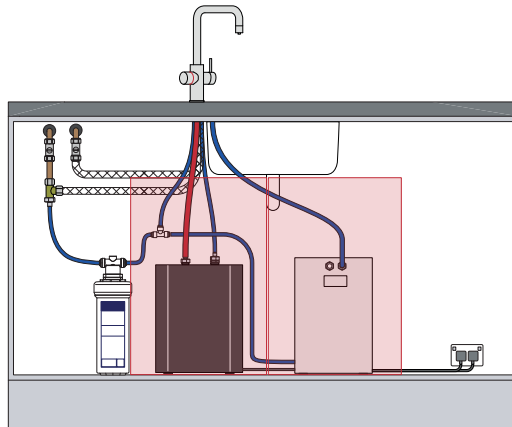
Tap positioning

Position the tap such that it dispenses into the sink bowl with clearance for a cup or tea pot.



Ensure that taps are positioned to minimise the risks of scalding by dispensing boiling water while using the tap.

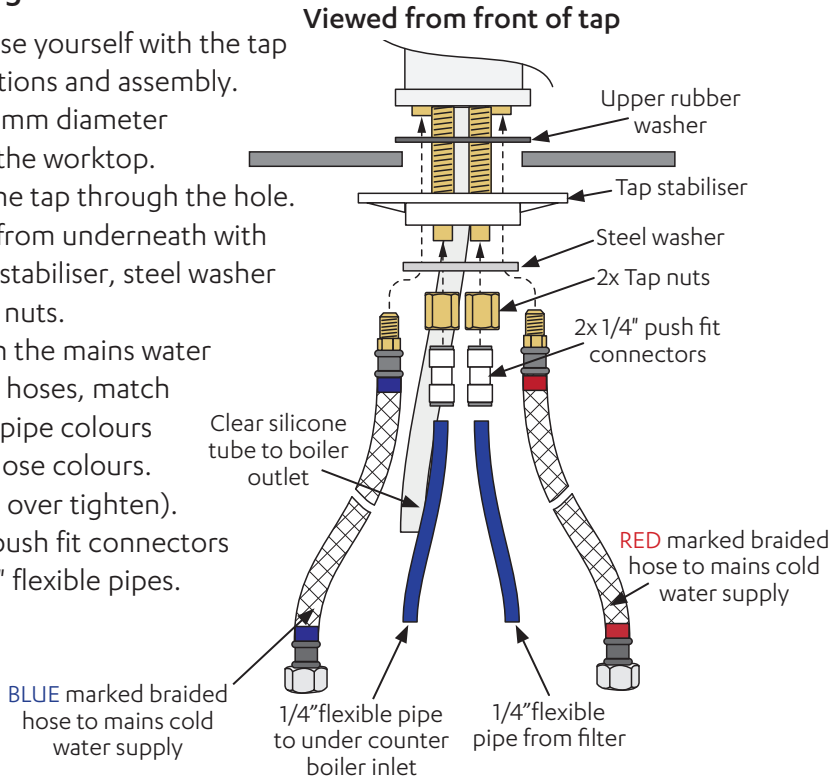
Position the under counter appliances and tap as close together as possible. See below.



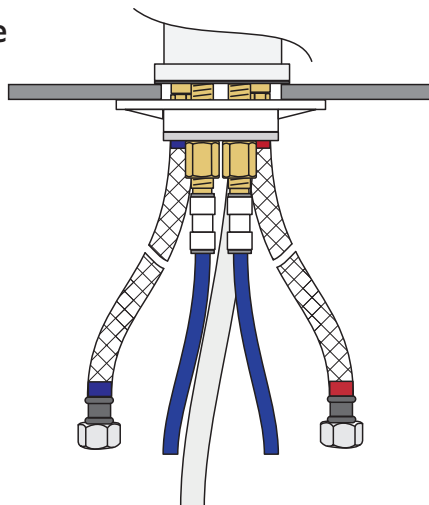
SECTION 6 Installing the system

Tap fitting & connection

- Familiarise yourself with the tap connections and assembly.
- Cut a 35mm diameter hole in the worktop.
- Insert the tap through the hole.
- Secure from underneath with the tap stabiliser, steel washer and tap nuts.
- Screw in the mains water braided hoses, match the tap pipe colours to the hose colours. (Do not over tighten).
- Fit the push fit connectors and 1/4" flexible pipes.



Tap installation complete



SECTION 6 Installing the system

6.6 Connect the water supply



Valves and fittings must be sealed with PTFE tape if compression seals are not included.

Water supply pressure range 0.15 - 0.3 MPa.



If the mains water pressure is below 0.15 MPa a fault could arise.

If the mains water pressure exceeds 0.3 MPa an appropriate water pressure reducing valve must be fitted. Failure to do so could result in the appliance overflowing.



To avoid damage, do not use any solder connections whilst pipes are connected to the appliance.

Fohen cannot be held responsible for any appliance malfunction if the water pressure is not within the range stated. If in doubt, consult your water supply company.



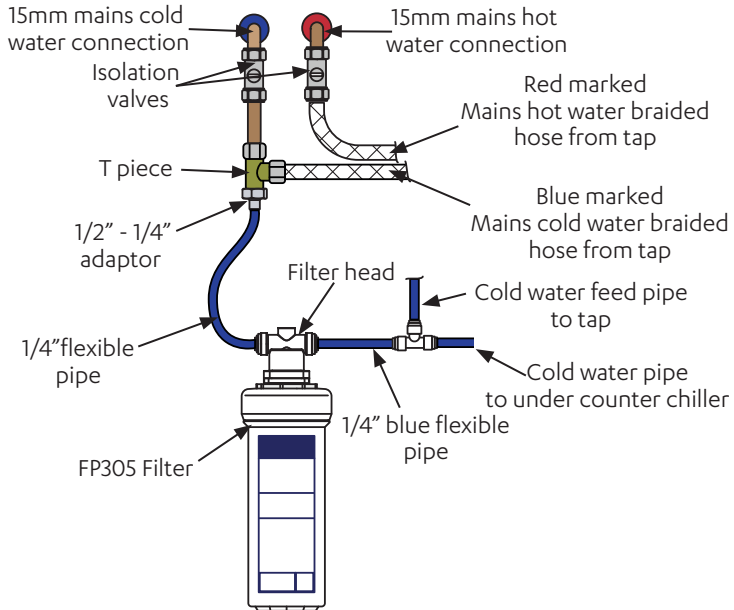
Use instructions supplied with the individual system components.

Mains water connection

- Connect to a wholesome (cat 1) cold drinking water supply using 15mm copper pipe-work.
- When installing 'push fit' fittings and pipe-work observe push fit best practice, see page 12.
- To install the filter head, use the instructions supplied with it.
- To install the filter, use the instructions supplied with it and refer to page 22.
- The filter must be flushed after installation, see page 22.

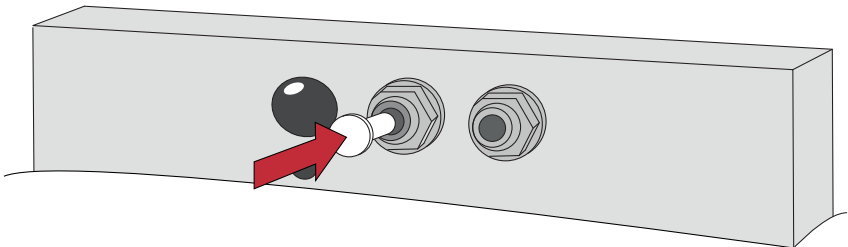
SECTION 6 Installing the system

Mains water supply arrangement



6.7 Under counter chiller connections

- Insert the 1/4" JG plug supplied into the ambient outlet on the Blupura Piccola Box chiller, the ambient outlet is not used in this system.

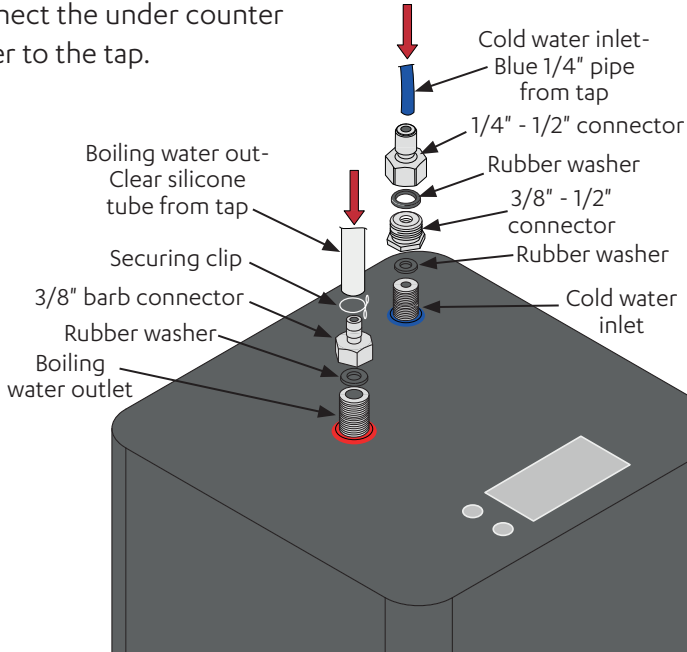


- For all other chiller setup instructions, refer to the installation instructions supplied with the Blupura Piccola Box chiller, to find out how to connect it to the system, also see page 11.

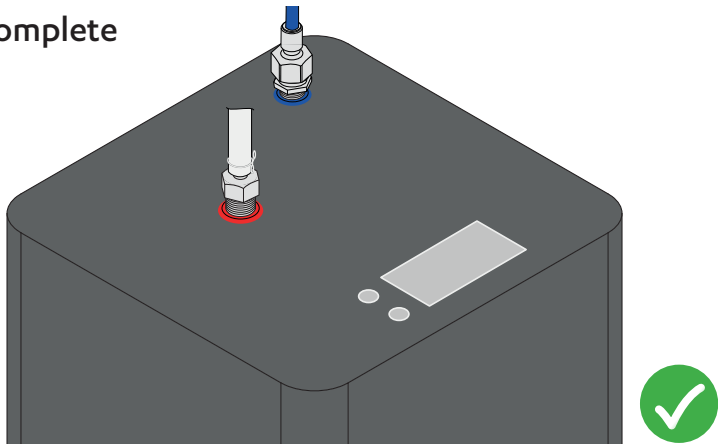
SECTION 6 Installing the system

6.8 Under counter boiler manifold connections

- Connect the under counter boiler to the tap.



Under counter boiler installation complete



- Using the installation diagrams as a guide, see page 10-14 , connect the under counter boiler to the tap.

SECTION 6 Installing the system

6.9 Earth continuity test

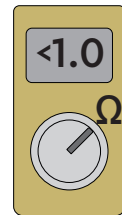
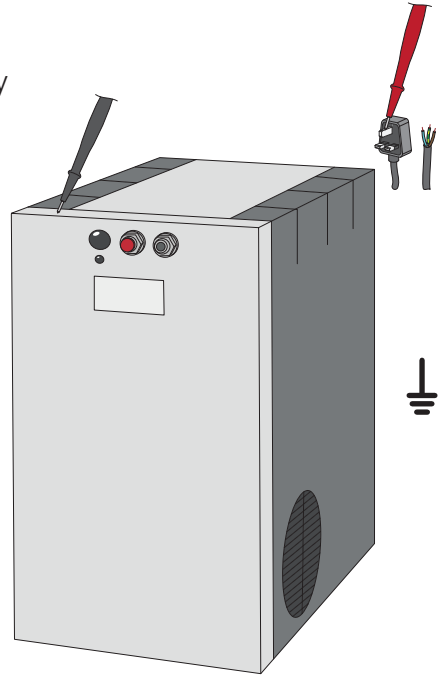


All accessible metal parts must be earthed.

- Before installation, the earth continuity of both the under counter appliances must be checked. Use an insulation tester, appliance tester, DMM or continuity tester with an accuracy of Class 5 or better ($\pm 5\%$ at full-scale deflection).

To test the earth continuity

- Isolate the appliances from the electricity supply.
- Set the meter to the lowest ohms (Ω) scale and set to a reading of 0Ω with the meter probes connected together.
- Connect one of the meter probes to the earth wire of the mains cable or earth pin of the mains plug.
- Connect the second meter probe to a bare patch of metal or a screw (the edge is best) on the appliance and read the display.
- Repeat with the second test lead touching the metal body of the tap.
- All readings should be less than 1Ω .
- If any of the reading are above this value, check the earth connection inside the appliance.



Insulation resistance meter or DMM

SECTION 6 Installing the system

6.10 Connect the electricity supply



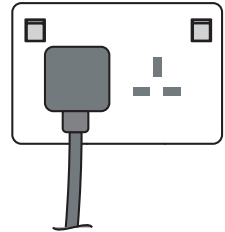
Before you start read :
Section 2 Important Safety Instructions.
Section 3 Warnings & Regulatory information.

Do not switch on the mains electricity supply until commissioning the system when installation is complete, all electrical /plumbing connections have been made and the earth continuity has been tested.



Before you start read the instructions
supplied with the Blupura Piccola Box chiller.

- Connect the under counter boiler mains plug to a 230V 50Hz 13A socket.
- Read the instructions supplied with the Blupura Piccola Box chiller to learn how to connect it to the electricity supply.



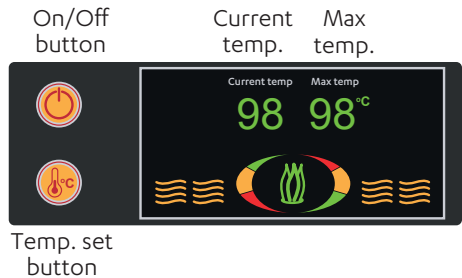
SECTION 7 Commissioning

7.1 Commissioning



Under counter boiler

- Turn on the mains water supply.
- Dispense water from the boiling side tap, until water flows from the tap spout, the appliance fills with water.
- Switch on the mains electricity supply.
- Switch on the under counter boiler by pressing the On/Off button on the display panel.
- The system runs through an initial self diagnostic check.
- The display flashes to indicate that the water is heating.
- Once at temperature, the display ceases to flash, indicating that the water is at it's set temperature. The appliance is ready to dispense.
- Flush the filter, see page 22.



Under counter boiler buttons and indicators

Set the under counter boiler water temperature

- With the appliance switched on, press the Temp. set button to progress through the full range of temperature set points.
- Stop pressing the button at the desired set-point. The appliance will heat to this temperature.

Blupura Piccola Box chiller (if included in the system)



Before you start read the instructions supplied with the Blupura Piccola Box chiller.

- To commission the chiller (if supplied), read and follow the instructions supplied with the Blupura Piccola Box chiller.

SECTION 8 Operation

8.1 To dispense water from the tap

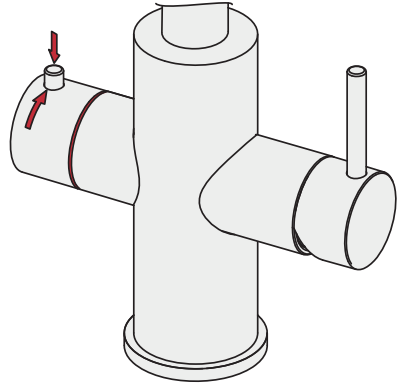
- Ensure that the under counter appliances are switched on and ready to use. See section 7.

Boiling water



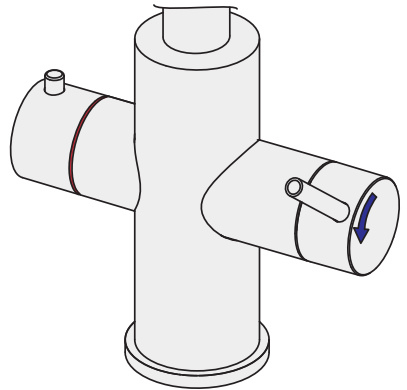
Caution, near boiling water is dispensed from the spout.

- To dispense boiling water, press down the lock button and twist the left hand control backwards. (see adjacent).



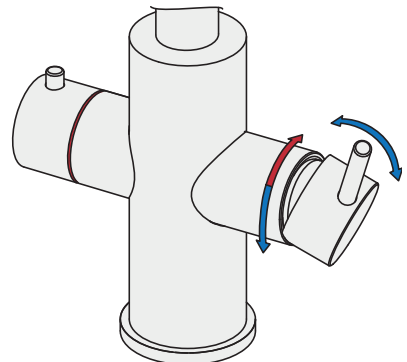
Chilled water

- To dispense chilled water, twist the right hand control forwards. (see adjacent).



Mixed water

- To dispense mixed warm water for washing up, pull the right hand control away from the tap body.
- Twist front - back, to change the mixed water temperature.
- Warmer - backward, cooler - forward.
- Twist left to right to change the mixed water flow rate, (see adjacent).



9.1 Replace and flush the filter



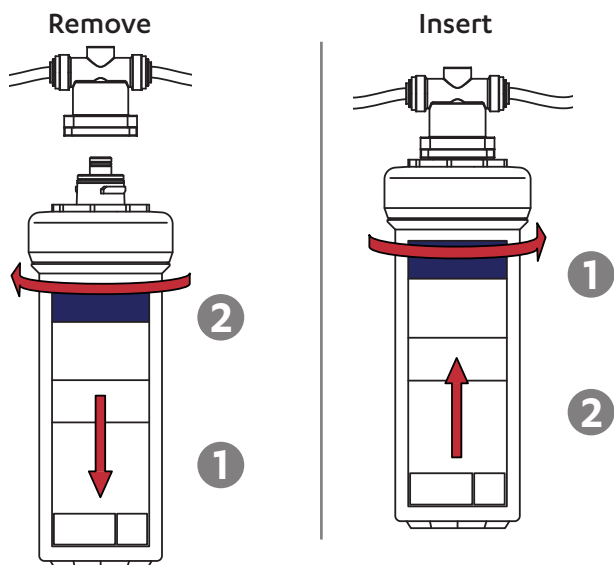
Not changing the filter cartridge when required may affect the water quality.

Filter change intervals: no more than 12 months.



Use instructions supplied with the filter cartridge.

Replace the FP305 filter



- Turn OFF the power supply to the under counter appliances.
- Turn OFF the cold mains water supply isolation valve.
- Remove the old filter (see above).
- Be aware that some water may drip from the filter head.
- Remove the sanitary cap from the new filter, do not touch the connector.
- Moisten the new filter connector with clean tap water.
- Insert the new filter (see above).
- Turn ON the power supply to the under-counter appliances.
- Turn ON the cold mains water supply isolation valve.
- Flush the filter, by dispensing chilled or boiling water for at least 5 minutes.
- The system is ready to use.

SECTION 9 Maintenance

9.2 Cleaning



Cleaning of the tap and dispensing outlets must only be undertaken with alcohol or sanitising wipes. Chemicals should NOT be sprayed onto the Tap or under counter appliances at any time.

Never use strong, corrosive or abrasive cleaning materials on the tap or under counter appliances.

This could cause permanent malfunction and void warranty.

- To clean tap & under-counter appliances and ancillaries, wipe surfaces with a sanitising wipe and leave to air dry.

SECTION 10 Troubleshooting

10.1 Troubleshooting the under counter boiler



Before you start read :

Section 2 Important Safety Instructions.

Section 3 Warnings & Regulatory information.

- If the appliance is empty of water and is turned on then this will be automatically sensed, the display will show the E3 warning. Fill the tank through the boiling water control on the tap.
- If the boiling water appliance is not filled with water upon switch on, then after approximately 5 minutes it will automatically power down until it is primed with water.
When the E4 warning is displayed, disconnect the boiling water appliance from the electrical power supply, then reconnect it. If the problem persists, please call Fohen on 0808 196 2480 to book a service call.
- If there has been a power cut to the appliance, reset the hot water temperature, otherwise the water will not heat up.

SECTION 10 Troubleshooting

Problem	Possible causes	Action
Water and Steam is spitting from the instant hot water tap spout	Unit is boiling	Turn the instant hot water tap handle on and release the water
	Pressure is lower than 1.5 bar or higher than 3 bar	Check the pipe pressure. Check if aerator is blocked and remove the dirt in the aerator
Water is not hot	The electronic instant hot water appliance is unplugged	Make sure the electronic instant hot water appliance is plugged in and connected to a grounded electric outlet
		Make sure that the circuit breaker and fuse are working correctly
Water is too hot	Water temperature setting is set to high temperature	Re-set the temperature to the lower temperature
Water is dripping from the instant hot water tap spout	The expansion chamber isn't draining the system correctly due to very small draw off water	Draw off 0.5L of water to clear and prime the system. Avoid less than 150ml draw offs of water
	The spout is blocked	Remove and clean the aerator
Slow Flow from the spout	Water Filter may be clogged from impurities in the inlet mains water	The water filter must be changed every 6 months or this will void guarantee
Water does not flow straight away	The electronic instant hot water appliance is design for non pressurised operation and there will be slight delay till the near boiling water appears	After a large volume of water has been drawn off there may a slightly longer delay in the water appearing from the instant hot water tap spout
	Pressure is lower than 1.5 bar or higher than 3 bar	Check the pipe pressure Check if aerator is blocked and remove the dirt in the aerator
No Water Flowing	Water Valves have been turned off	Turn on all the water valves
	Inlet Pipes have been twisted or blocked	Ensure the pipes are not twisted or kinked to restrict flow
		Remove and clean the aerator
		De scale - call Fohen on 0808 196 2480 to book a service call

SECTION 10 Troubleshooting

Problem	Possible causes	Action
E3 fault code	The E3 code indicates water shortage protection. When the water level in the inner tank is below the minimum required level 'E3' will appear	Open the instant hot water tap handle to fill the instant hot water tank.
	If the above does not work and the unit continues to show 'E3', it could be a float switch sensor fault	Contact Fohen on 0808 196 2480 to book a service call
E4 fault code		Power off the unit and unplug from the power source. Then try reinstalling. If this does not solve the issue, Contact Fohen on 0808 196 2480
The boiler causes the electricity supply within the property to trip	The electricity meter is overloaded, the installation of your instant hot water appliance in addition to the rest of your appliances has exceeded the limit of the RCD protection limit.	Upgrade the RCD protection limit or move the instant hot water appliance on to a different circuit
	The boiler could be short circuiting. To test this, unplug all other electric equipment, plug in the boiler and turn on. If the boiler trips the electricity this time, the boiler is short circuiting.	Contact Fohen on 0808 196 2480 to book a service call

10.2 Troubleshooting the under counter chiller



Read the instructions supplied with the Blupura Piccola Box chiller.

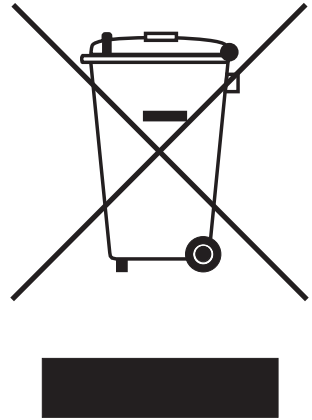


If you are in any doubt as to the safety of the system or appliances, turn off the mains electricity and mains water supplies and call Fohen on 0808 196 2480 to book a service call.

Environmental information

Waste electrical and electronic equipment

- The symbol above means that according to United Kingdom and European Union member countries laws and regulations, your product and/ or its battery shall be disposed of separately from household waste.
- When this product reaches its end of life, take it to a collection point designated by local authorities. The separate collection and recycling of your product and/ or its battery at the time of disposal will help conserve natural resources and ensure that it is recycled in a manner that protects human health and the environment.



Warranty

Warranty

- For more information please refer to the online [Fohen Warranty Policy](#).

fohen

Fohen UK
Trafalgar House
Rash's Green
Dereham
Norfolk
NR19 1JG

0808 196 2480
hello@fohen.co.uk
www.fohen.co.uk

