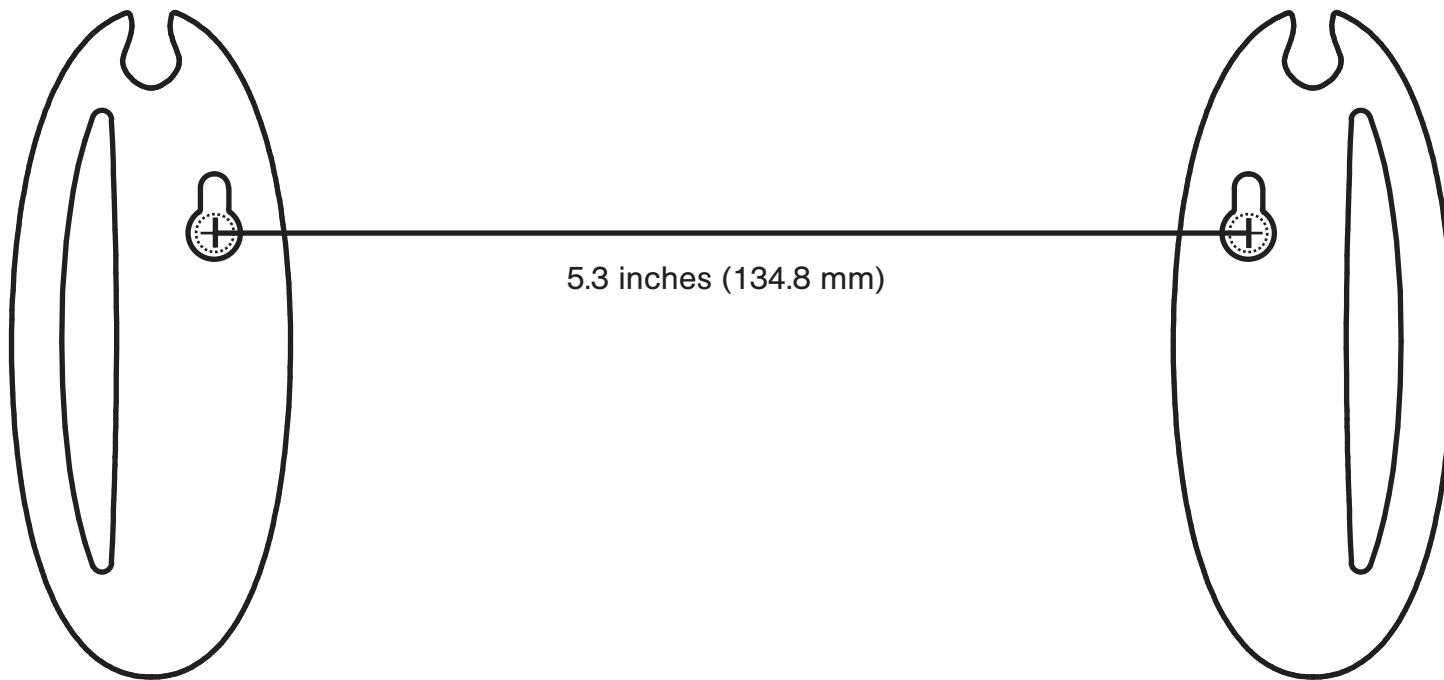


Wall-Mounting Template



Template represents rear side of Over-the Door Style Station™ PRO

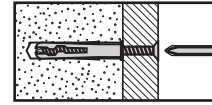


OVER-THE DOOR Style Station™ PRO

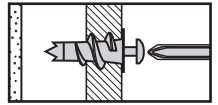
Wall-Mounting Instructions

1. Tape the template to the wall in the desired hanging location. Be sure template is level.
2. Mark the position of the drill holes (⊕). Use 1/4" drill bit.
3. Drill pilot holes. If you are mounting on drywall or plasterboard the holes should accommodate the anchors.
4. Remove template from the wall and insert anchors into the holes.

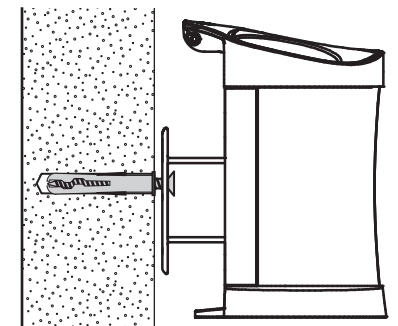
GENERAL PURPOSE WALL ANCHOR



PLASTERBOARD WALL ANCHOR



5. Using at least 2" long screws, insert leaving about 1" protruding from the wall.
6. Place the Over-the Door Style Station™ PRO on the screws, being sure to register the outermost sections of the cord wraps over the screws (as shown in the template).



For questions or concerns please call our Customer Service Team at (800) 432-2133