

**NAIL STATION**  
ITEM#: STO-8020-270

For assistance with use, parts and customer service call (800) 431.2133 Monday through Friday, 9AM to 5PM EST,  
email [info@polder.com](mailto:info@polder.com) or visit our website at [www.polder.com](http://www.polder.com).  
Customers in the UK can call +44 (0) 1243 780501 or visit [www.polderproducts.co.uk](http://www.polderproducts.co.uk)

**IMPORTANT SAFETY INSTRUCTIONS**

When using electrical appliances, especially when children are present,  
basic safety precautions should always be followed, including the following:

**READ ALL INSTRUCTIONS BEFORE USING**  
**KEEP AWAY FROM WATER**

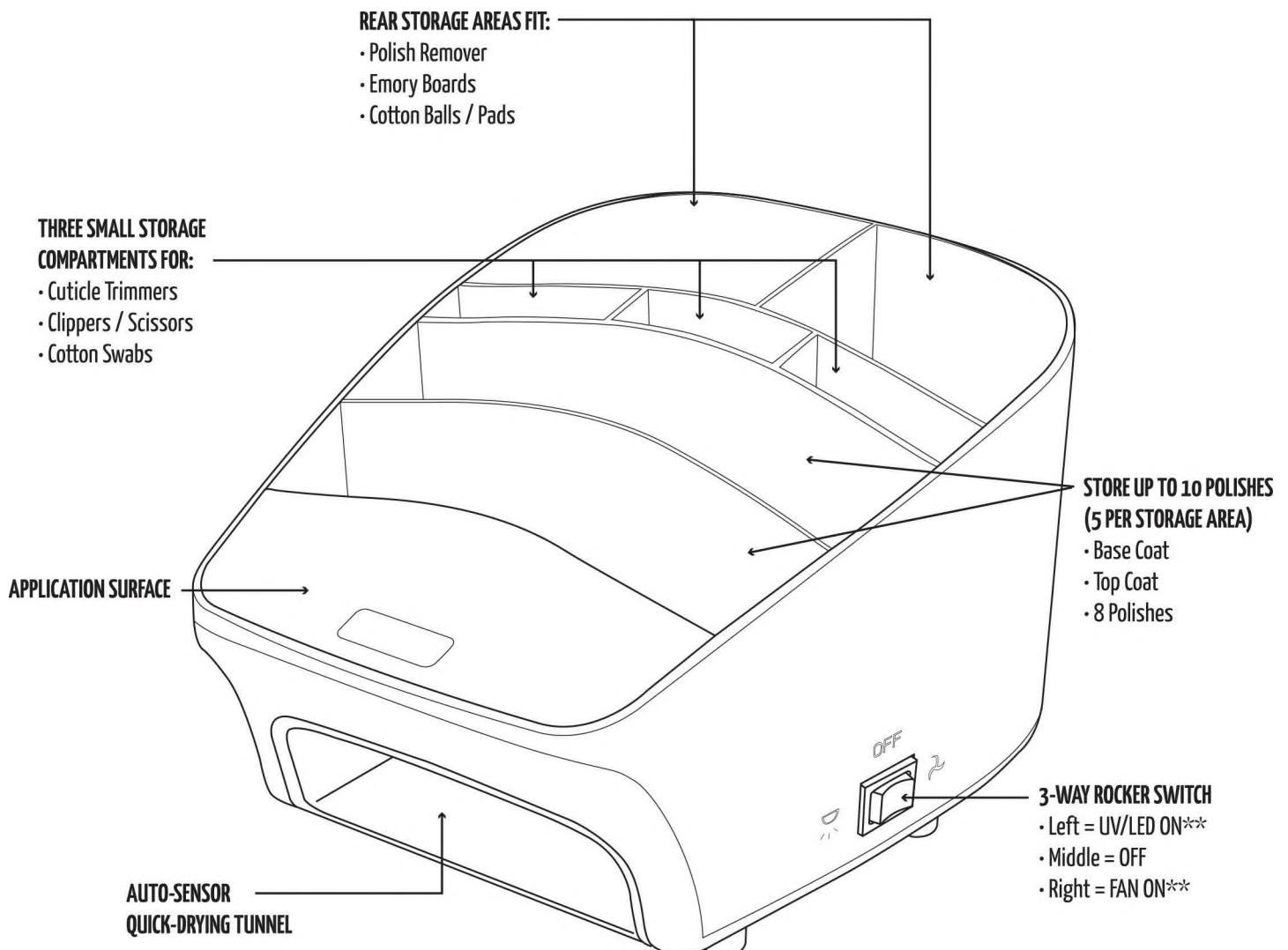
**DANGER - To reduce the risk of electrocution:**

1. Always unplug this appliance immediately after using.
2. Do not place or store appliance where it can fall or be pulled into a tub or sink.
3. Do not use while bathing.
4. Do not place in or drop in water or other liquid.
5. Do not reach for an appliance that has fallen into water. Unplug immediately.

**WARNING - To reduce the risk of burns, electrocution, fire or injury to persons:**

1. An appliance should never be left unattended when plugged in.
2. Close supervision is necessary when the appliance is used by, on, or near children or invalids.
3. Use this appliance only for its intended use as described in this manual. Do not use attachments not recommended by the manufacturer.
4. Never operate this appliance if it has a damaged cord or plug, if it is not working properly, if it has been dropped or damaged, or if it has been dropped into water. Return the appliance to a service center for examination and repair.
5. Keep the cord away from heated surfaces.
6. Never block the air openings of the appliance or place it on a soft surface, such as a bed or couch, where the air openings may be blocked. Keep the air openings free of lint, hair and the like.
7. Never drop or insert any object into any opening.
8. Do not use outdoors or operate where aerosol (spray) products are being used.
9. RG-2: Caution. UV emitted from this lamp. Possible skin or eye irritation can result from exposures exceeding 15 minutes in a day. Use appropriate shielding.
10. Not intended for commercial use.
11. Warning: Any other servicing should be performed by an authorized service representative. The appliance has no user serviceable parts.

**SAVE THESE INSTRUCTIONS**



\*\* NOTE: Fan and UV/LED lamps will activate once fingers are placed within the Drying Tunnel and deactivate when fingers are removed.

## IMPORTANT INFORMATION:

Please select the fan setting when drying acrylic polish and UV-LED lamp setting when drying gel polish. The UV-LED lamp setting is not designed to work with acrylic polish and will not effectively dry the polish.

## SET-UP AND STORAGE

1. Store essential nail care tools in individual storage compartments:
  - a. Nail polish remover and cotton balls/pads.
  - b. Nail files, cuticle trimmers and nail implements.
  - c. Up to 10 bottles of polish (5 per storage area).

Note: see page 1 for detailed image of storage areas and functional components.

2. Place the Nail Station on a flat, level surface.
3. Plug the USB portion of the power cord (included) into the left side of the unit.
4. Plug the AC end of the power cord into the wall outlet.

## WHEN APPLYING GEL POLISH

Note: The Nail Station includes a built-in platform to easily apply polishes.

1. Remove existing polish, debris and oils from nails using polish remover.
2. Cut, file and smooth the nail bed and push back cuticles.
3. Turn on UV-LED lamp setting by flipping 3-way rocker switch to the left (☺) position.  
**Note: the UV-LED lamp will only activate when fingers are placed within the drying tunnel**
4. Apply gel base coat to each nail.
5. Place within drying tunnel for 30-seconds (being sure to do this for both hands).
6. Apply colored gel polish to each nail.
7. Place within drying tunnel for 30-seconds (being sure to do this for both hands).
8. Apply 2nd coat of gel polish to each nail.
9. Place within drying tunnel for 30-seconds (being sure to do this for both hands).
10. Apply gel top coat to each nail.
11. Place nails within drying tunnel for 1-minute to thoroughly cure.
12. After nails are cured, apply 99% Isopropyl Alcohol with a lint-free pad to remove excess tackiness.
13. Turn off the UV-LED lamp setting by flipping the 3-way rocker switch to the center (OFF) position.
14. Unplug cord from AC outlet for storing.

## WHEN APPLYING ACRYLIC POLISH

Note: The Nail Station includes a built-in platform to easily apply polishes.

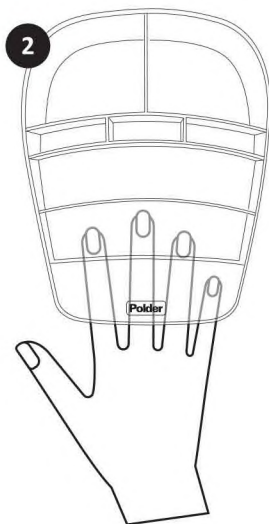
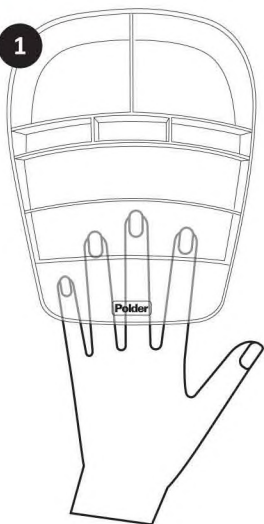
1. Remove existing polish, debris and oils from nails using polish remover.
2. Cut, file and smooth the nail bed and push back cuticles.
3. Turn on FAN setting by flipping 3-way rocker switch to the right (☹) position.  
**Note: the FAN will automatically start when fingers are placed within the drying tunnel**
4. Apply acrylic base coat to each nail.
5. Place within drying tunnel for 2-minutes (being sure to do this for both hands).
6. Apply colored acrylic polish to each nail.
7. Place within drying tunnel for 2-minutes (being sure to do this for both hands).
8. Apply 2nd coat of acrylic polish to each nail.
9. Place within drying tunnel for 2-minutes (being sure to do this for both hands).
10. Apply acrylic top coat to each nail.
11. Place nails within drying tunnel for 5-10 minutes to thoroughly dry.
12. Turn off the FAN setting by flipping the 3-way rocker switch to the center (OFF) position.
13. Unplug cord from AC outlet for storing.

## NOTES:

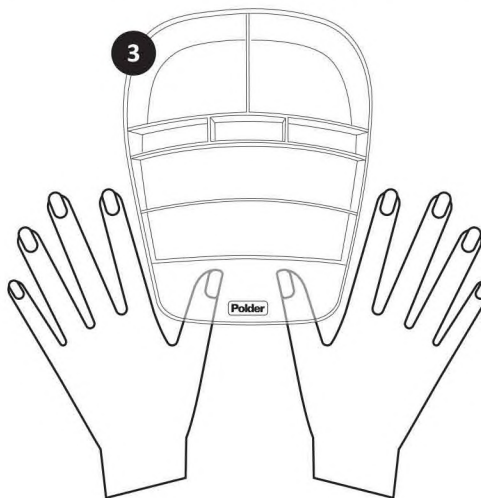
- When the fan setting is on, the fan will automatically turn on when fingers are placed within the drying tunnel. Fan will turn off when fingers are removed from the tunnel.
- When the UV-LED setting is on, the lamps will automatically turn on when fingers are placed within the drying tunnel. Lamps will turn off when fingers are removed from the tunnel.
- Drying times may vary and are dependent on type of polish used and thickness of application. Please follow the nail polish brands suggested application and drying times.

## RECOMMENDED FINGER PLACEMENTS FOR THOROUGH CURING / DRYING

Place 4 fingers of each hand within drying / curing tunnel



Place both thumbs within curing / drying tunnel to complete



## ONE YEAR LIMITED WARRANTY:

Polder will repair or at its option replace this product without charge, other than shipping charges, if it is returned to the address below with shipping charges prepaid, as being defective, within one year of the date of purchase and provided that inspection by the company indicates it is defective because of faulty workmanship or material. Please save your original receipt for this limited one year warranty to be valid. This limited warranty does not cover damage to this product through accident or misuse, nor does it cover any incidental expense to the user resulting from the non-function or malfunction of this product.