

Over-the Door Steaming Station

USE & CARE INSTRUCTIONS

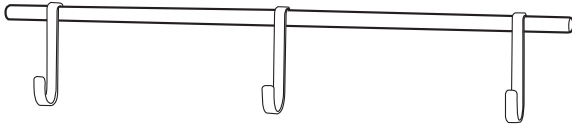
IMPORTANT: RETAIN FOR FUTURE REFERENCE, READ CAREFULLY.

For assistance with use, parts and customer service call +1(203)888-9208 Monday through Friday, 9AM to 5PM EST, email info@polder.com or visit our website at www.polder.com.

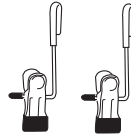
PARTS LIST:



Over-the door Hook x 1



Pad Hook x 1



Pant clips x 2



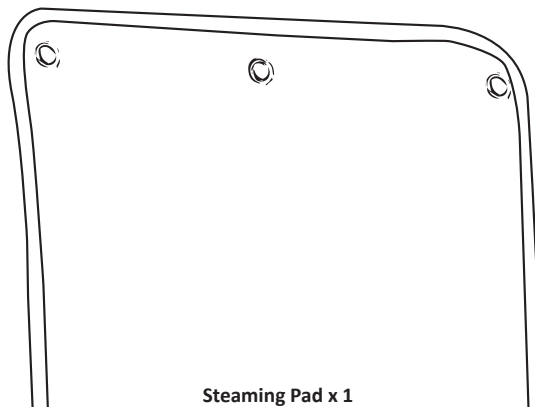
Steaming post x 1



Screws x 3



Allen Wrench x 1



Steaming Pad x 1

HELPFUL HINTS FOR USE:

DOOR THICKNESS: The Over-the Door hook fits standard doors up to 2-inches thick.

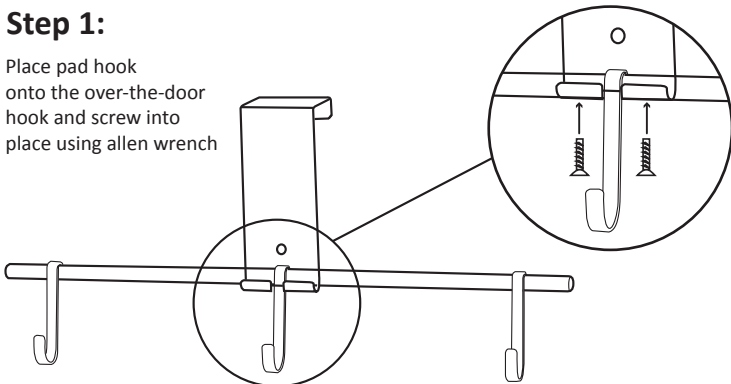
ASSEMBLY: We recommend assembling the hooks and placing over the door before mounting the steaming pad on the pad hook.

USE: The steaming pad is designed to function while hanging or while lying flat.

HOW TO ASSEMBLE:

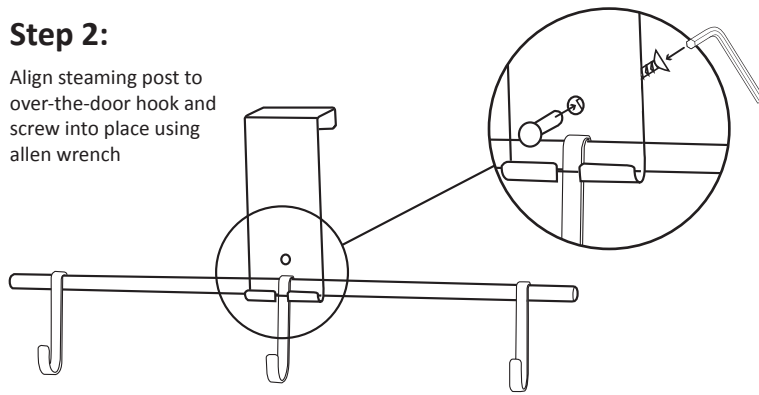
Step 1:

Place pad hook onto the over-the-door hook and screw into place using allen wrench



Step 2:

Align steaming post to over-the-door hook and screw into place using allen wrench



Over-the Door Steaming Station

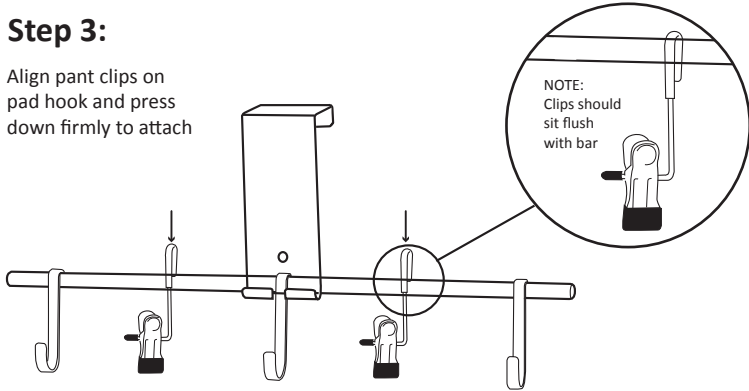
USE & CARE INSTRUCTIONS

IMPORTANT: RETAIN FOR FUTURE REFERENCE, READ CAREFULLY.

For assistance with use, parts and customer service call +1(203)888-9208 Monday through Friday, 9AM to 5PM EST, email info@polder.com or visit our website at www.polder.com.

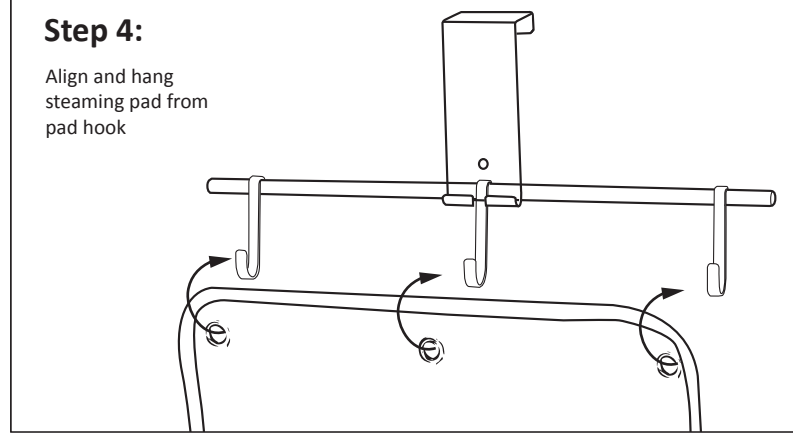
Step 3:

Align pant clips on pad hook and press down firmly to attach



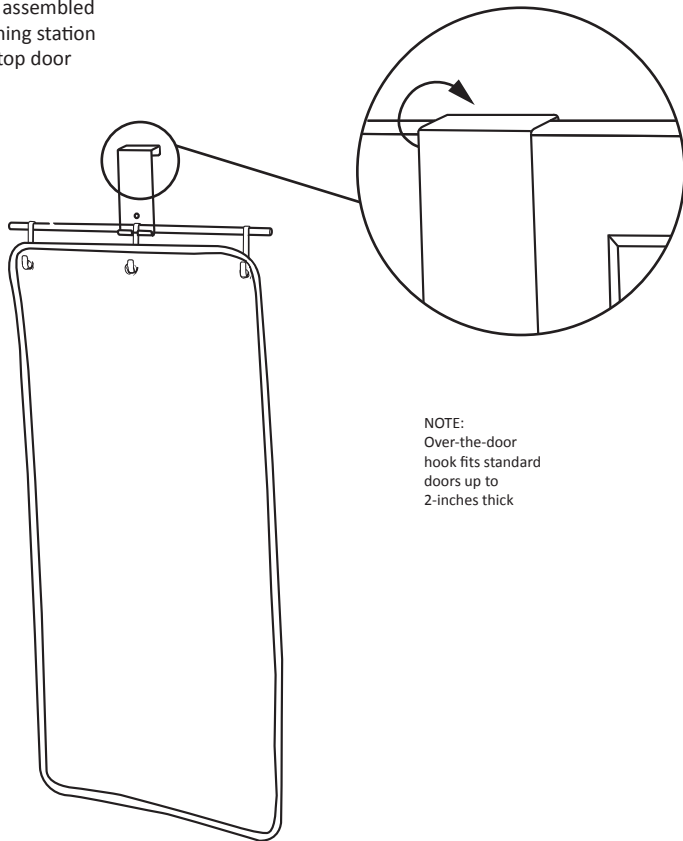
Step 4:

Align and hang steaming pad from pad hook



Step 5:

Hang assembled steaming station over top door



Manufactured by:
Polder Products, LLC
195 Christian Street
Oxford, CT 06478 USA
1-203-888-9208
www.polder.com

 **Polder**
life.style.solutions.

MADE IN VIETNAM