

OVER-THE-DOOR MOUNTAIN LOCK DRYER

ITEM#: DRY-9816

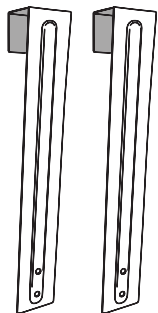
ASSEMBLY INSTRUCTIONS

IMPORTANT: RETAIN FOR FUTURE REFERENCE, READ CAREFULLY.

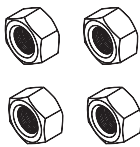
For assistance with use, parts and customer service call (800) 431.2133 Monday through Friday, 9AM to 5PM EST, email info@polder.com or visit our website at www.polder.com. Customers in the UK can call +44 (0) 1243 780501 or visit www.polderproducts.co.uk

PARTS LIST:

OVER-THE-DOOR



Over-the-door Hook x 2

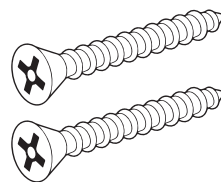


Nuts x 4

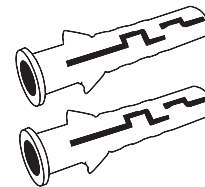


Small Screws x 4

WALL MOUNT



Large Screws x 2



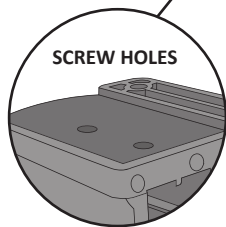
Wall Anchor x 2

HOW TO ASSEMBLE:

Step 1:

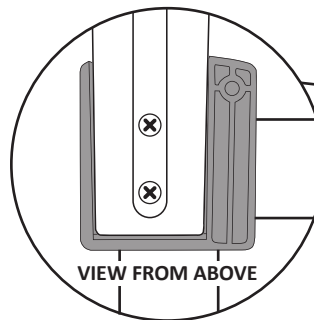
With the locking hinge portion of the dryer on the floor, tilt the top bar section upwards so the screw holes are facing up.

This will give you access to secure the hooks in place from the inside.



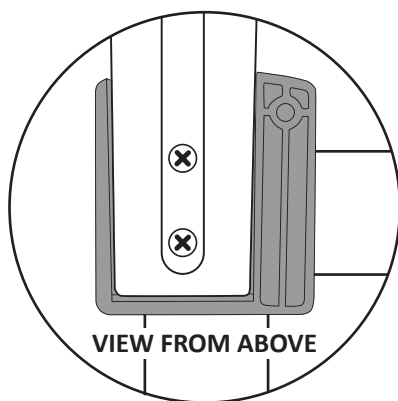
Step 2:

Take the first over-the-door hook and lay it flat against the top left corner of the end cap making sure the hook faces upwards.



Step 3:

Starting with the furthest opening, insert the small screw through the hook and into the opening on the back of the dryer and hold in place.

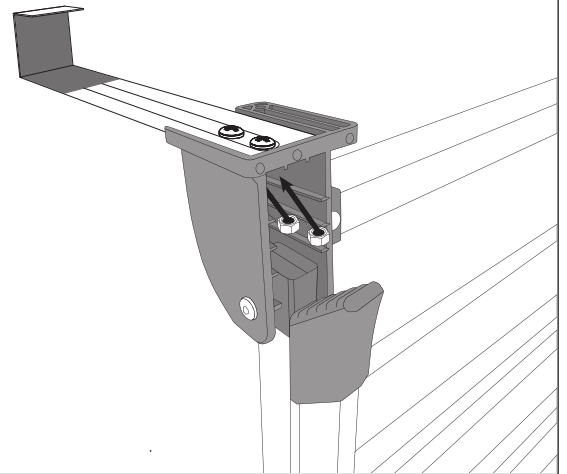
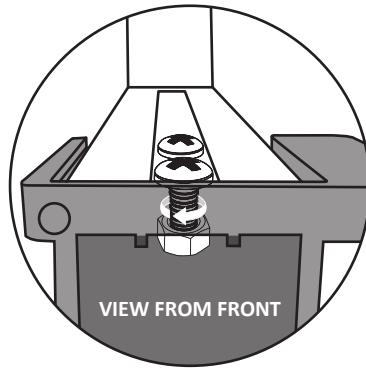


Step 4:

From inside the corner of the drying rack, insert nuts and spin counter-clockwise onto the ends of the small screws.

Using a screwdriver and wrench, tighten screws until secure.

Repeat steps 1-4 on the remaining end cap.



OPTIONAL WALL MOUNT:

Hold dryer against the wall positioning it to your desired height and ensuring it is level. Using a pencil, make a mark on the wall where the two holes fall.

Place the dryer aside. Using the pencil marks as a guide, drill a hole into the wall on both sides slightly smaller than the wall anchor.

Gently tap wall anchor into the pre-drilled hole using a hammer or mallet.

Insert a larger screw through the hole on the dryer and into the wall anchor and slowly screw it into place. Repeat for the other side.

