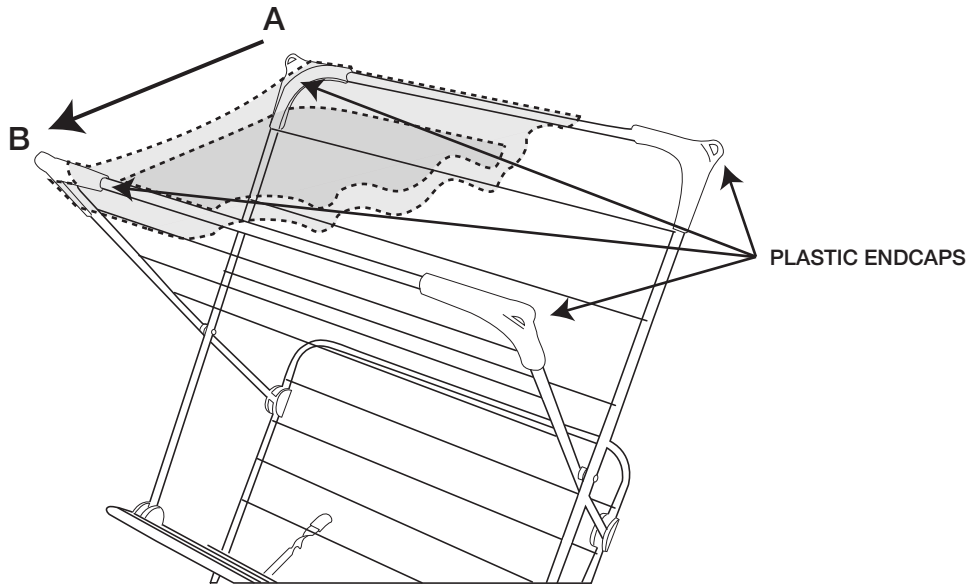


HOW TO STRETCH FINE GARMENT DRYER MESH (FOR 2 & 3 TIER DRYERS)

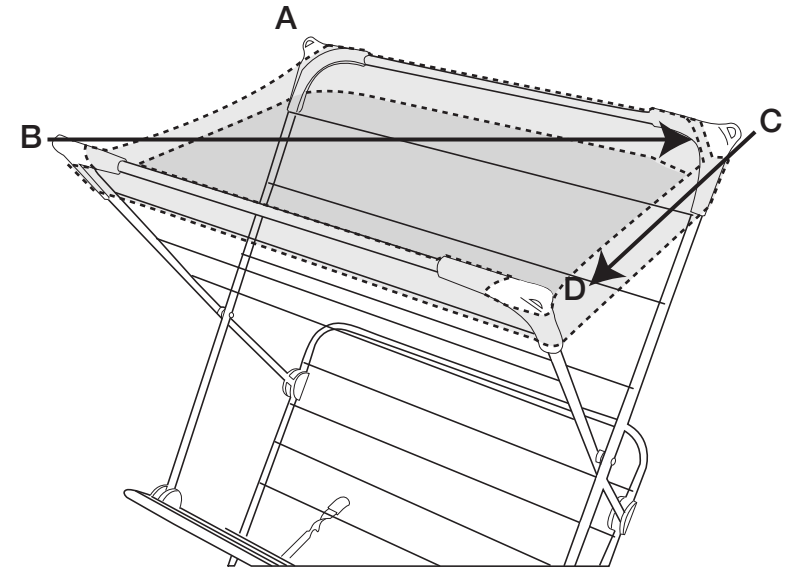


- ① Stand dryer in open, upright position.

Align longer side of mesh with longer side of dryer.

Hook mesh around plastic endcap. Endcap should poke through large corner hole opening in mesh.

Repeat on other endcap on this side.



- ② Stretch mesh across and hook around opposite side's endcaps.

Endcap should poke through large corner hole opening in mesh.

(mesh should sit taut on dryer. Some movement may occur in dryer when putting mesh on. This is to be expected.)



©2018 Polder Products, LLC
195 Christian Street, Oxford, CT 06478 USA
+1 (203) 888.9208 | www.polder.com

Unit 2, Plot 11 Terminus Road, Chichester PO19 8TX, UK
+44(0)1243 780501 | www.polderproducts.co.uk

MADE IN CHINA / FABRIQUÉ EN CHINE / HECHO EN CHINA