

General Instructions

Please retain product label and instructions for future reference

0634AXNE0503HGDD2MW-V1

34MM LOG CABIN, APEX NO EXTRAS, 5M X 3M, HALF GLAZED DOUBLE DOORS, TWO MEDIUM WINDOWS.

BEFORE YOU START PLEASE READ INSTRUCTIONS CAREFULLY

- Check the pack and make sure you have all the parts listed.
- When you are ready to start, make sure you have the right tools at hand (not supplied) including a Phillips screwdriver, Stanley knife, wood saw, step ladder and drill with 2mm bit.
- Ensure there is plenty of space and a clean dry area for assembly.

TIMBER

As with all natural materials, timber can be affected during various weather conditions. For the duration of heavy or extended periods of rain, swelling of the wood panels may occur. Warping of the wood may also occur during excessive dry spells due to an interior moisture loss. Unfortunately, these processes cannot be avoided but can be helped. It is suggested that the outdoor building is sprayed with water during extended periods of warm sunshine and sheltered as much as possible during rain or snow.

BUILDING A BASE

When thinking about where the building and base are going to be constructed: Ensure that there will be access (60cm) to all sides for maintenance work and annual treatment.

Ensure the base is level and is built on firm ground, to prevent distortion. Refer to diagrams for the base dimensions. The base should be slightly smaller than the external measurement of the building, i.e. The cladding should overlap the base, creating a run off for water. It is also recommended that the floor be at least 25mm above the surrounding ground level to avoid flooding.

TYPES OF BASE

- Concrete 75mm laid on top of 75mm hard-core.
- Slabs laid on 50mm of sharp sand.

Whilst all products manufactured are made to the highest standards of Safety and in the case of childrens products independently tested to EN71 level, we cannot accept responsibility for your safety whilst erecting or using this product.

Refer to the instructions pages for your specific product code



All buildings should be erected by two adults



Winter = High Moisture = Expansion
Summer = Low Moisture = Contraction



2mm Drill bit

For ease of assembly, you **MUST** pilot drill all screw holes and ensure all screw heads are countersunk.



CAUTION
Every effort has been made during the manufacturing process to eliminate the prospect of splinters on rough surfaces of the timber. You are strongly advised to wear gloves when working with or handling rough sawn timber.



For ease of assembly use a rubber mallet to fit the log boards. Do **NOT** use a heavy hammer.



Ensure to measure and check before cutting boards.



It is advisable to use a hand saw when cutting roof and floor boards.



To ensure log boards are even, use a spirit level to check each layer has been installed correctly.

Screws & Nails



Measure overall length

Bolts



Measure under the head

To identify the fixings required for each step use a measuring tape.

For assistance please contact customer care on: 01636 821215

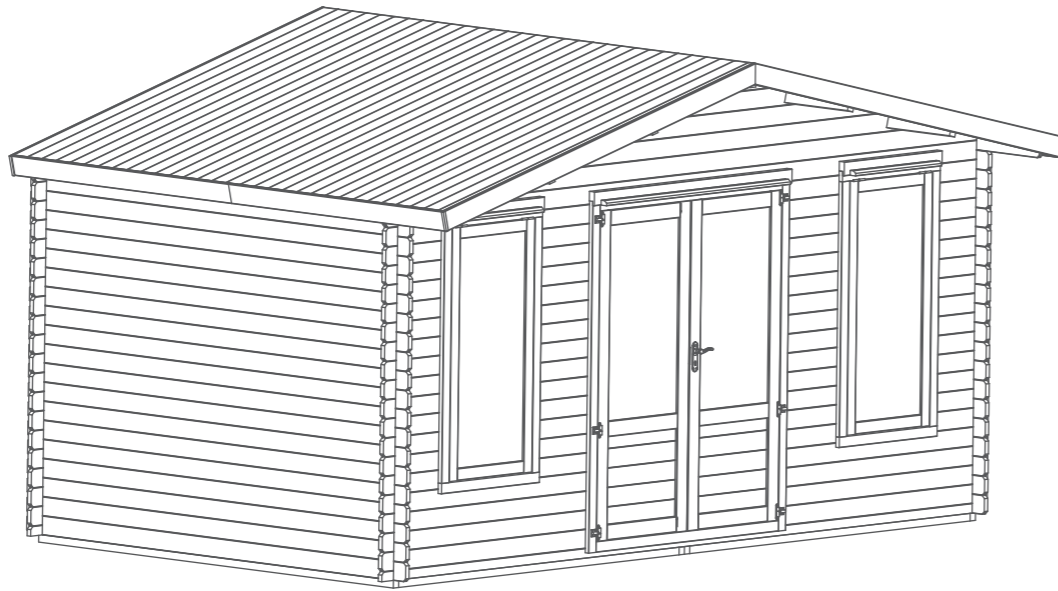
Mercia Garden Products Limited,
Sutton On Trent,
Newark,
Nottinghamshire,
NG23 6QN

www.merciagardenproducts.co.uk

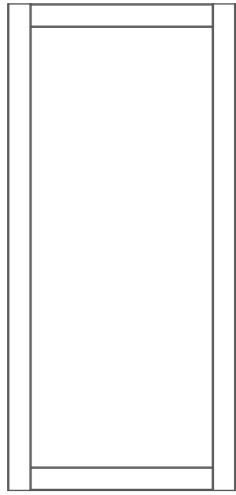




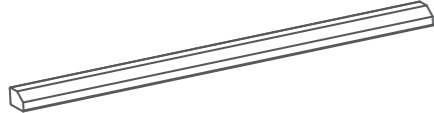
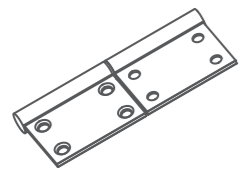
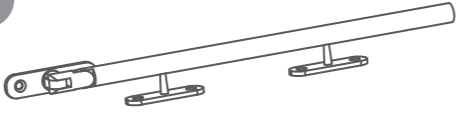


Overall Dimensions:
 Width = 5148mm
 Depth = 4134mm
 Height = 2869mm

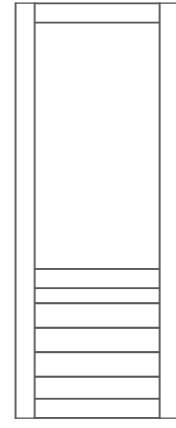
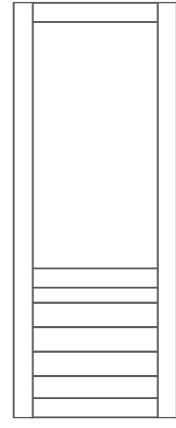
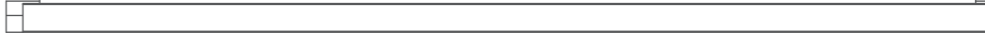
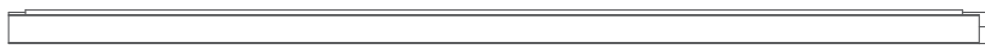



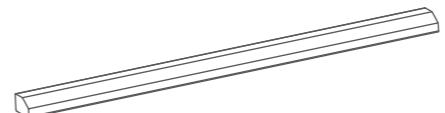
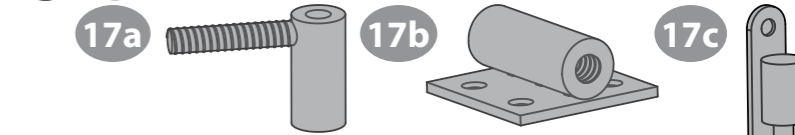
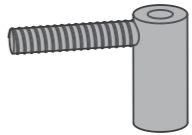
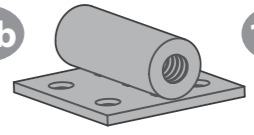
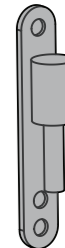
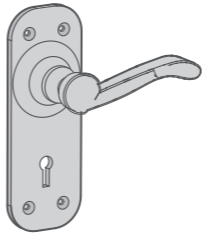
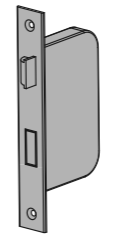
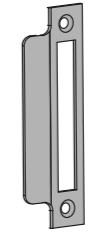
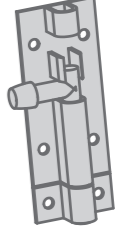
Base Dimensions:
 Width = 4808mm
 Depth = 2804mm

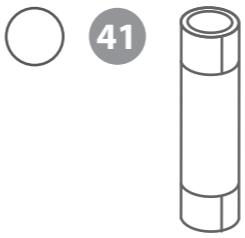
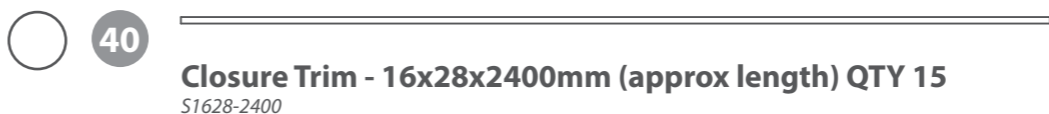
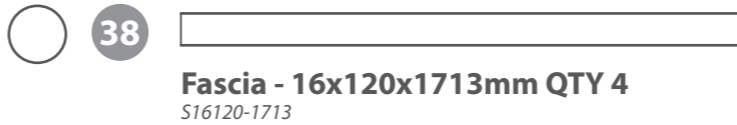
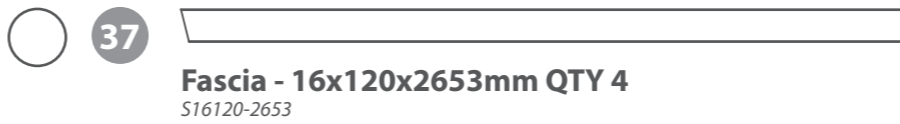
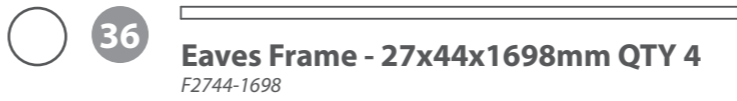
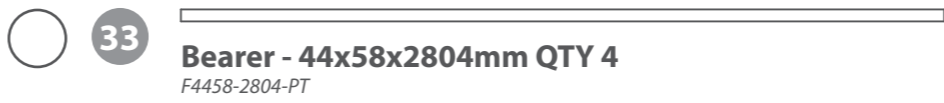
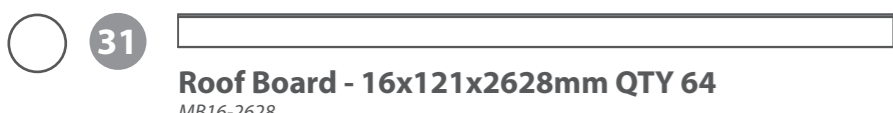
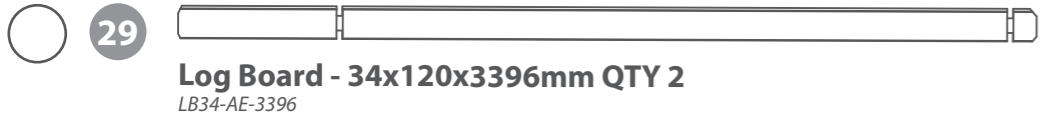
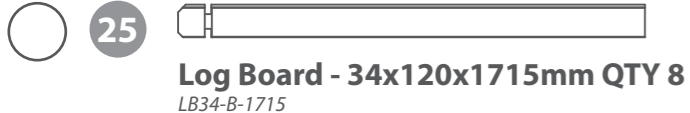
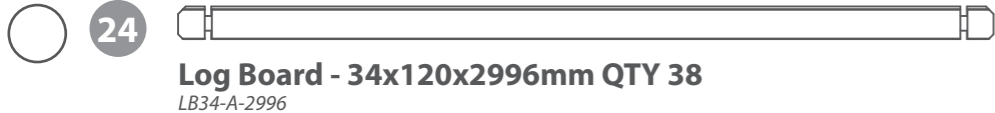
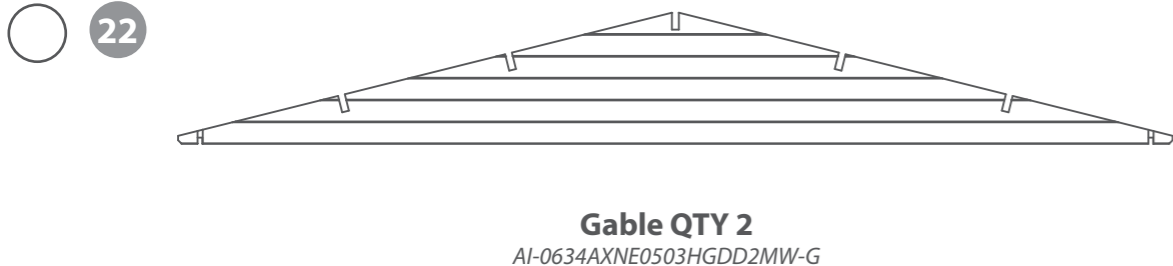


Window Contents

- 1  **Window QTY 2**
AI-06LOGDGMW684X1462-V3
- 2  **Window Frame Left Upright - 71x70x1630mm QTY 2**
AI-0634LOGMWUFL-V3
- 3  **Window Frame Right Upright - 71x70x1630mm QTY 2**
AI-0634LOGMWUFR-V3
- 4  **Window Frame Top - 84x125x805mm QTY 2**
AI-0634LOGWTF-V3
- 5  **Window Frame Bottom - 71x70x805mm QTY 2**
AI-0634LOGWBF-V3
- 6  **Rain Guard QTY 2**
RG2844-710 (28x44x710mm)
- 7  **Flag Hinge QTY 4**
PI-07-0211
- 8  **Casement Stay QTY 2**
PI-07-0187

Double Door Contents

- 9  **Master Door QTY 1**
(Morticed for lock)
AI-06LOGDGMD750X1900-V3
- 10  **Secondary Door QTY 1**
AI-06LOGDGS750X1900-V3
- 11  **Door Frame Left Upright - 71x70x2065mm QTY 1**
AI-0634LOGDUFL-V3
- 12  **Door Frame Right Upright - 71x70x2065mm QTY 1**
AI-0634LOGDUFR-V3
- 13  **Door Frame Top - 84x125x1632mm QTY 1**
AI-0634LOGDDTF-V3
- 14  **Door Frame Bottom - 71x70x1508mm QTY 1**
AI-0634 QTY 1 LOGDDBF-V3
- 15  **Door Strip - 16x60x1880mm QTY 1**
S1660-1880mm
- 16  **Rain Guard QTY 1**
RG2844-1520 (28x44x1520mm)
- 17  **Adjustable Hinge QTY 6** PI-07-0209
○ 17a  ○ 17b  ○ 17c 
- 18  **Handles (Pair) QTY 1**
PI-07-0188
- 19  **Mortice Lock QTY 1**
PI-07-0017
- 20  **Key Plate QTY 1**
PI-07-0017
- 21  **Tower Bolt QTY 2**
PI-07-0114



Nail Bag

There may be extra screws present in the nail bag

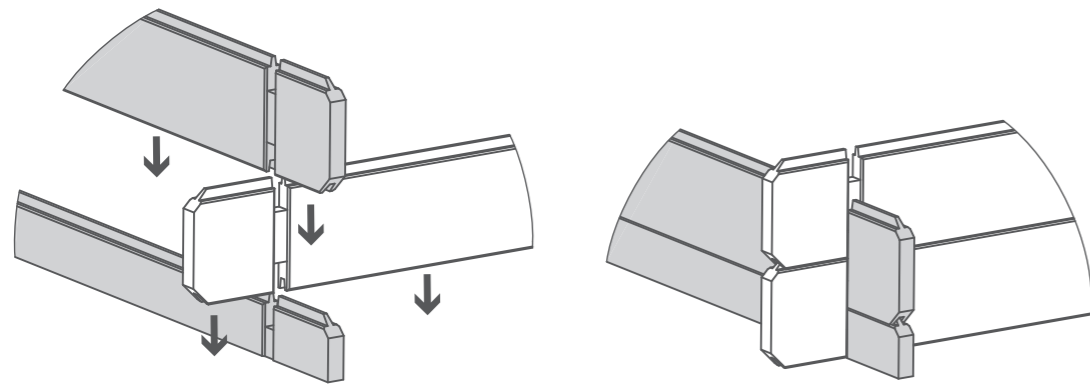


Pre-assembly

*Please note:

Each board interlocks at either end in a staggered pattern.

Before securing ensure that the boards are fitted properly in their respective tongues and grooves.



Step 1 Parts Needed - No. 33 QTY 2 No. 34 QTY 2

Lay the bearers (**No's. 33 & 34**) onto a firm and level surface (**free from areas where standing water can collect**) as shown in the illustration.

Fix the bearers together at each corner screwing 2 screws per corner using 8x70mm screws, ensuring the bearer is flush.

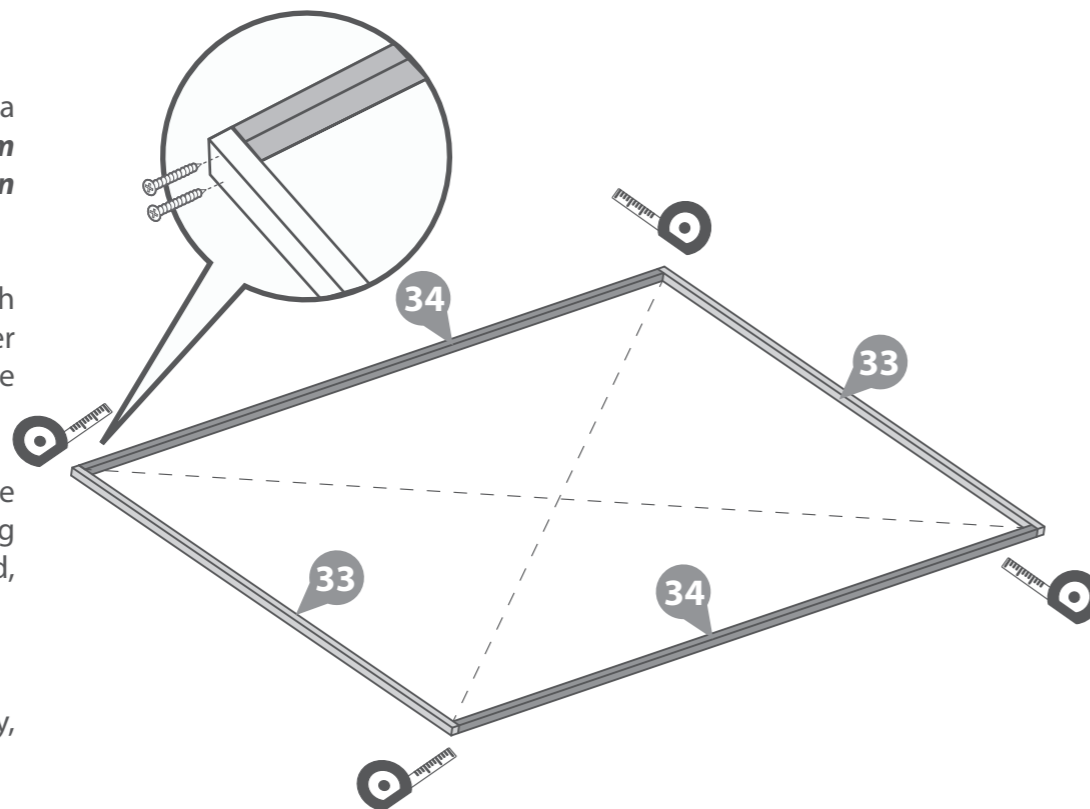
Once fully assembled, ensure the bearers are square by measuring from corner to corner as illustrated, making sure the measurements are equal.

If the bearers are not aligned equally, unscrew, adjust and re-align accordingly.

8x70mm Screws



IMPORTANT: Pre-drill before fixing screws.



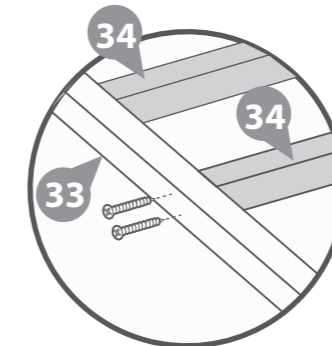
Step 2 Parts Needed - No. 34 QTY 8

Following the same method, arrange the remaining bearers (**No. 34**) inside the assembled frame.

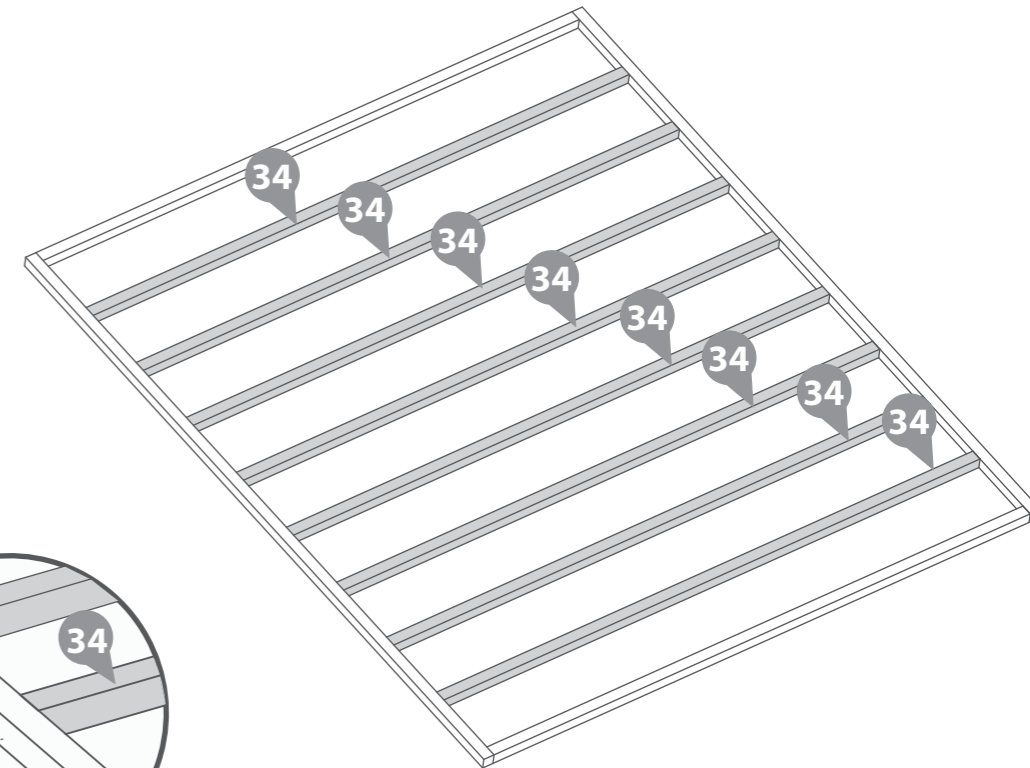
***Ensure there is an equal amount of space between each frame.**

Secure each of the frames in place using 2x70mm screws for each side of the bearer, ensuring the bearers remain level.

32x70mm Screws



IMPORTANT: Pre-drill before fixing screws.



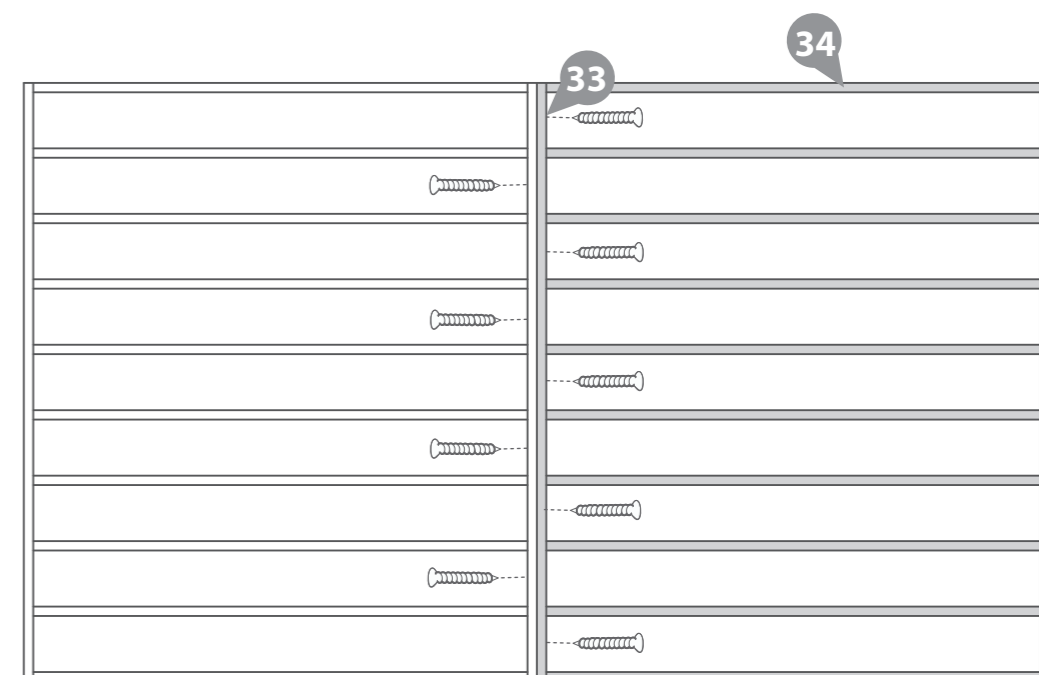
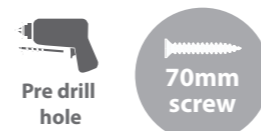
Step 3 Parts needed - No. 33 QTY 2 No. 34 QTY 10

Following the same method outlined in **Step 1**, build the other base section.

***Ensure there is an equal amount of space between each frame.**

Secure the base sections together using 9x70mm screws, ensuring to fix in an alternating pattern so as not to collide screws.

49x70mm Screws



Step 4

Parts Needed - No. 23 QTY 2
No. 24 QTY 2

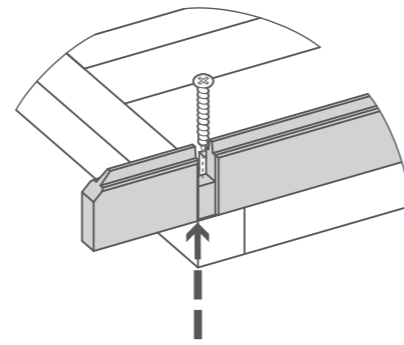
IMPORTANT: Pre-drill before fixing screws.

Place the starter boards (**No. 23**) on to the assembled base frame along the longest sides and place the first two log boards (**No. 24**) in the notch as shown.

Ensure the boards sit square on the base using the same method used in Step 1. Measure corner to corner, making sure the measurements are equal.

Once the boards are square, lift up the log board (**No. 24**) and fix the starter boards in place.

Fix each of the starter boards to the frame by screwing through the notch into the frame as shown in the illustration.

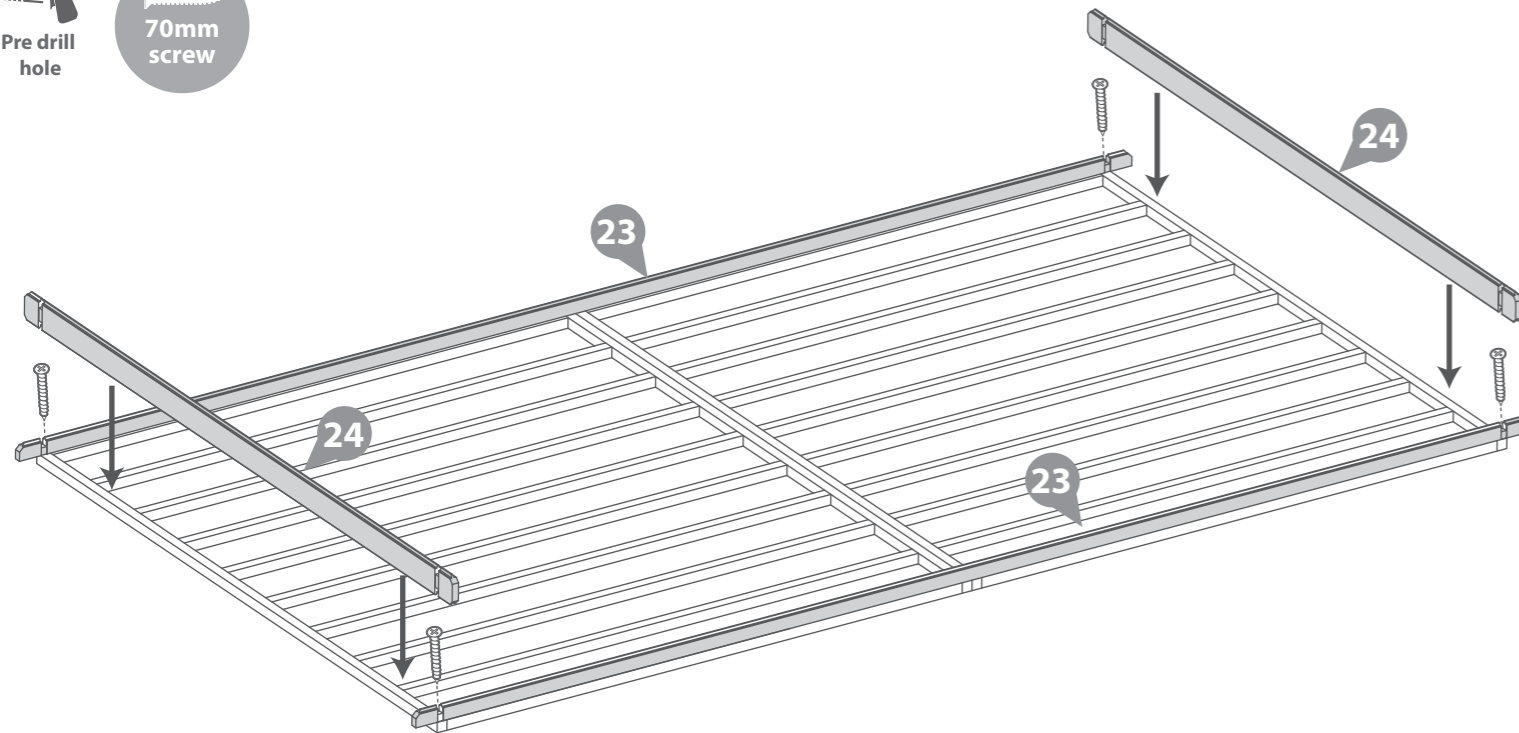


4x70mm Screws



Pre drill hole

70mm screw



Step 5

Parts needed - No. 24 QTY 8
No. 25 QTY 8
No. 28 QTY 4

IMPORTANT: Pre-drill before fixing screws.

Following the method shown in the illustration, lay the first 6 boards (**No's. 24, 25 & 28**)

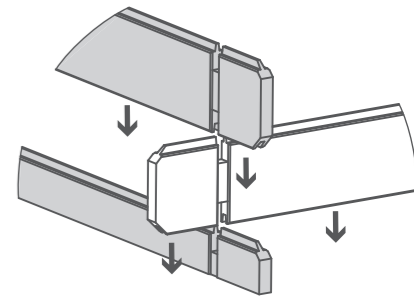
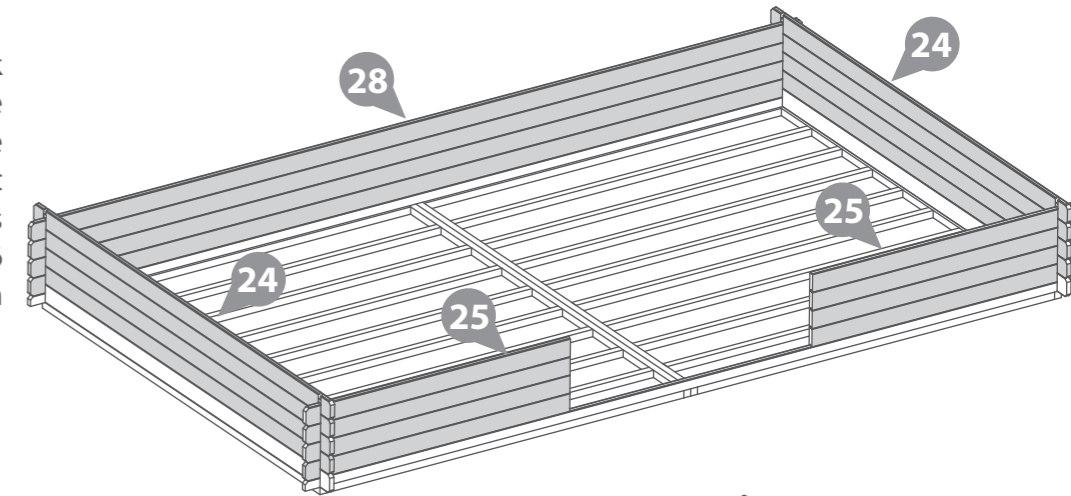
Start by placing the front and back boards, interlocking them with the side boards. Then place the next side boards, interlocking with the front and back boards. Continue this method until you have placed **6 boards off of the starter boards on each side**, as shown in the illustration.

This will create your first level.

**Ensure that the boards are level and flush with each other as you lay each one.*



Rubber Mallet may be required to fit parts.

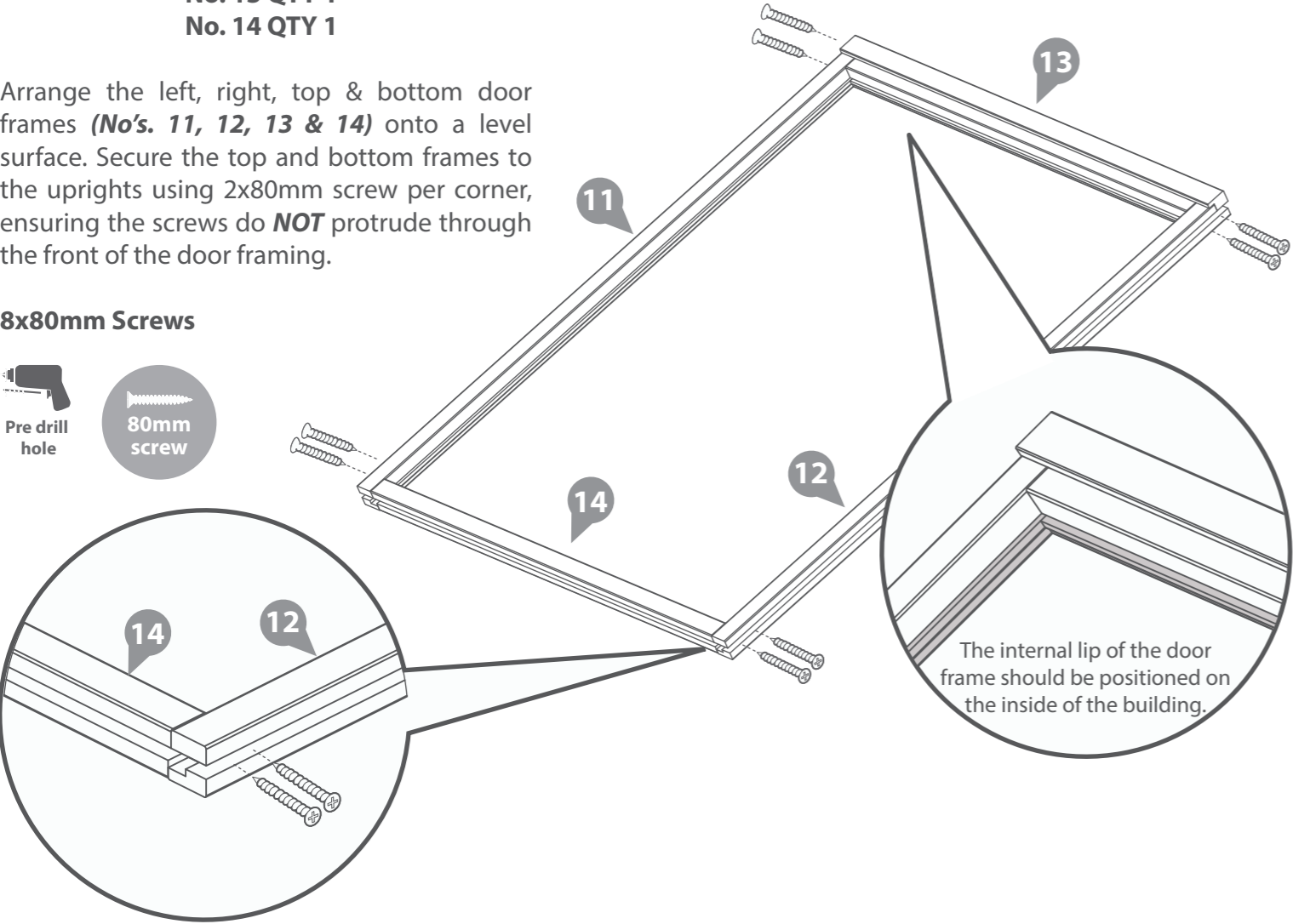


Step 6

- Parts Needed -** No. 11 QTY 1
 No. 12 QTY 1
 No. 13 QTY 1
 No. 14 QTY 1

Arrange the left, right, top & bottom door frames (No's. 11, 12, 13 & 14) onto a level surface. Secure the top and bottom frames to the uprights using 2x80mm screw per corner, ensuring the screws do **NOT** protrude through the front of the door framing.

8x80mm Screws



IMPORTANT : Pre-drill before fixing screws.

Step 7

- Parts Needed -** No. 9 QTY 1
 No. 10 QTY 1
 No. 17 QTY 6

a The Adjustable Door Hinge (No.17) comes in three parts.

Fasten No. 17a into 17b as shown in the illustration.

b Place the master and secondary doors (No's 9 & 10) onto a flat surface and fix the Adjustable door hinge (No.17c) to the doors using 3x30mm screws per hinge.

Fix 3 x Adjustable Door Hinges (No. 17a & b) into position onto the door frame using 4x30mm screws per hinge.

***Ensure the hinges are fitted to the external of the door frame so the doors open outwards from the log cabin.**

Locate the doors into the hinges ensuring there is equal spacing on each side between the doors and door frame, and that the doors open & close freely without restriction.

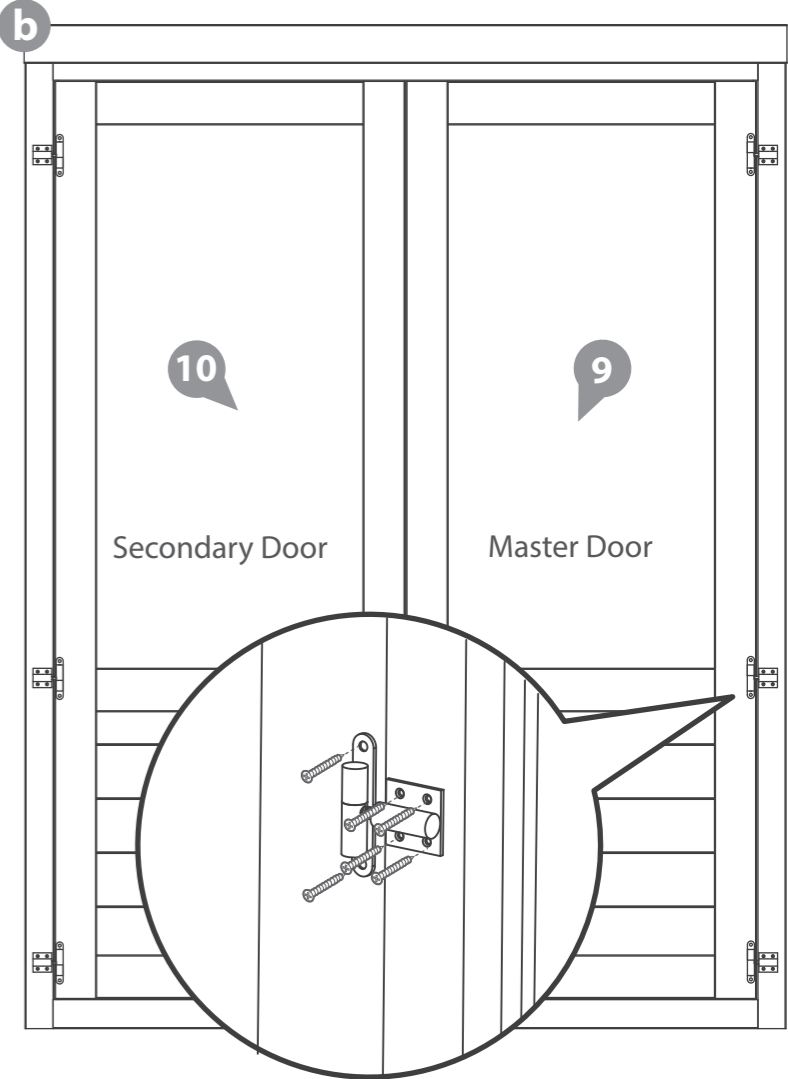
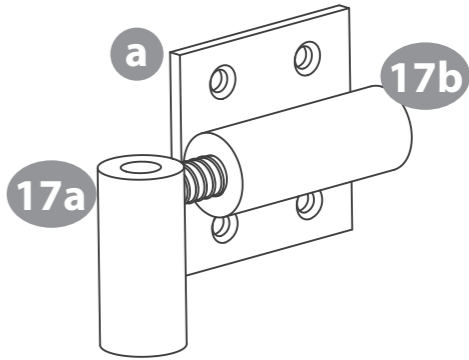
It is important to fit the doors within the frames at this stage so that you can establish the position of the hinges. The hinges come in three parts. Remove the doors from the frame after fitting.

****Ensure to screw into the framing and not into the channel.**

42x30mm Screws

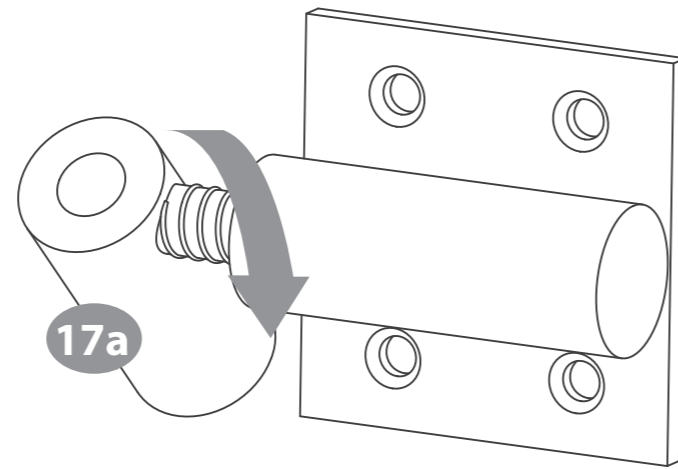


IMPORTANT : Pre-drill before fixing screws.



Step 8
To adjust and align your doors:

1. Lift up the doors to separate the two parts of the hinge.
2. Turn the rotating barrel (**No.17a**) in / out to move the position of the doors either in or away from each other.
3. You can then place the door(s) back on to the hinge and check whether they require more / less adjustments, if further adjustments are required repeat number 2.

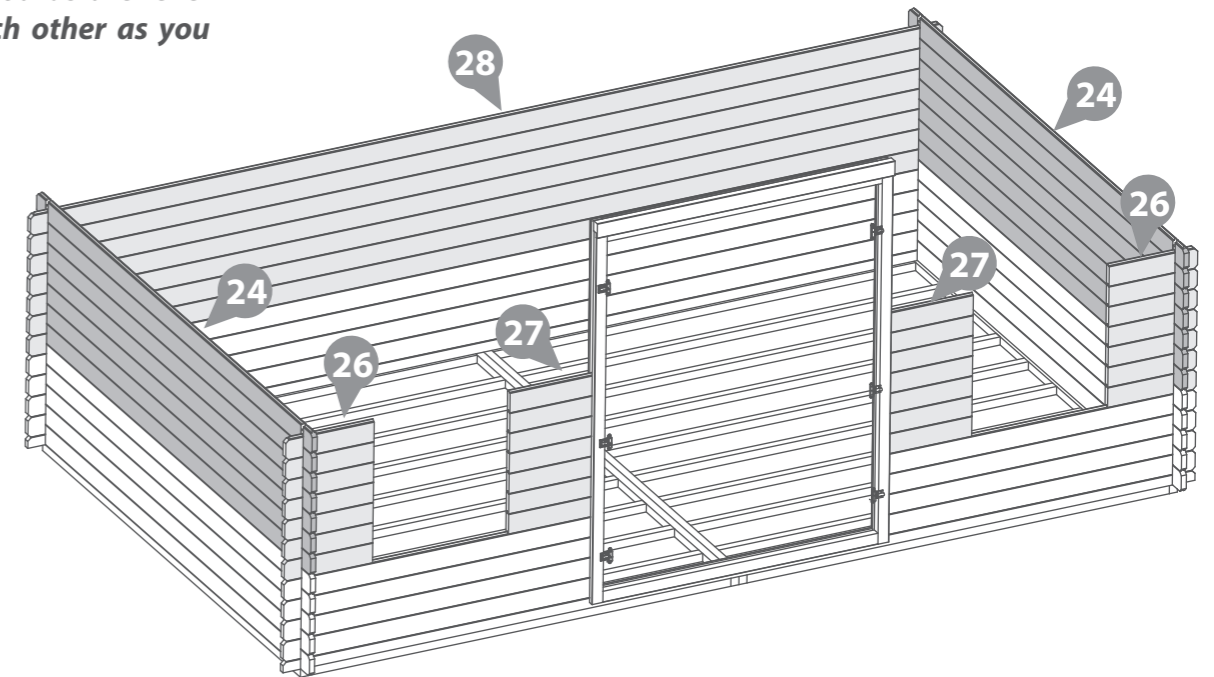
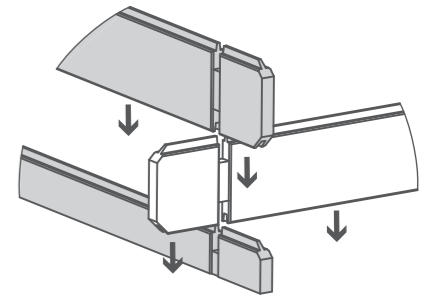


Step 10
Parts needed - No. 24 QTY 14
No. 26 QTY 14
No. 27 QTY 14
No. 28 QTY 7

Following the method shown in the illustration, lay the next 6 boards (**No's. 24, 26, 27 & 28**) onto the assembly to create your second level.

**Ensure that the boards are level and flush with each other as you lay each one.*

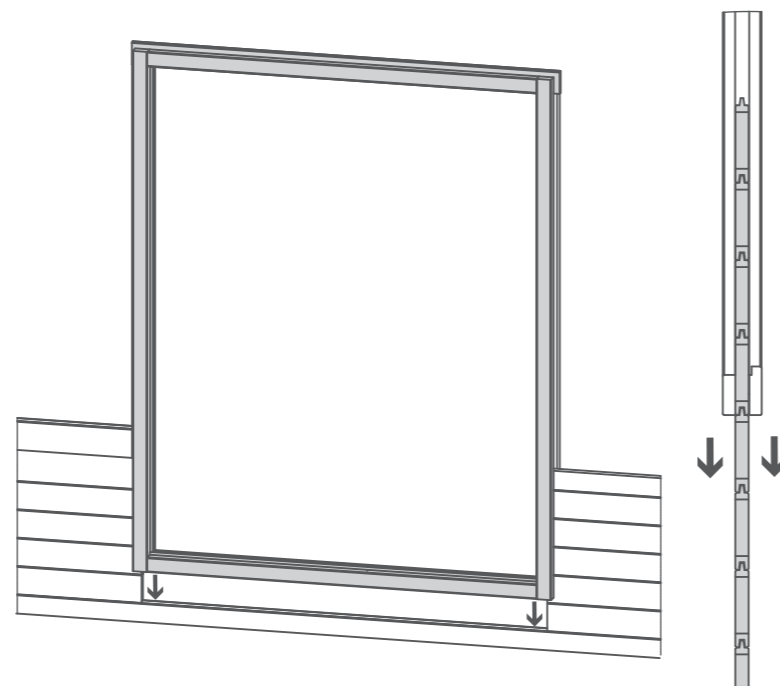

Rubber Mallet
may be required
to fit parts.



Step 9

Once you have laid 4 log boards (*off of the starter*) up the door section, slide the assembled door frame over the boards resting the frame on top of the starter board (**If you have not yet assembled the door frame refer to step 6**)

Please note: This image is for illustrative purposes and may differ from your choice in product (regarding door position**). Nevertheless the process of fitting the door frame is the same.*



Step 11

- Parts Needed - No. 2 QTY 2**
No. 3 QTY 2
No. 4 QTY 2
No. 5 QTY 2

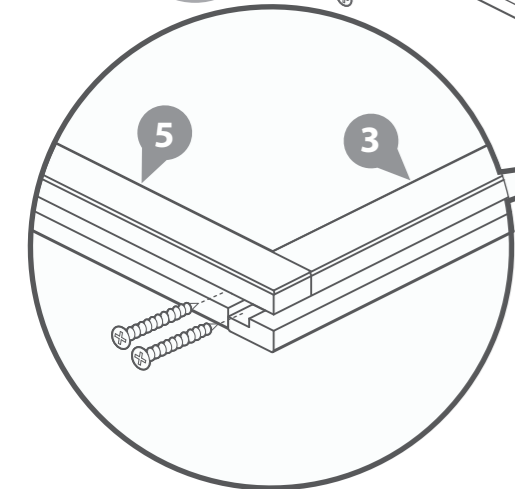
Arrange the left, right, top & bottom window frames (**No's. 2, 3, 4, & 5**) onto a firm and level surface. Secure the top and bottom frames to the uprights using 2x80mm screw per corner, ensuring the screws do **NOT** protrude through the front of the window framing.

Repeat the instructions above to create two window frames.

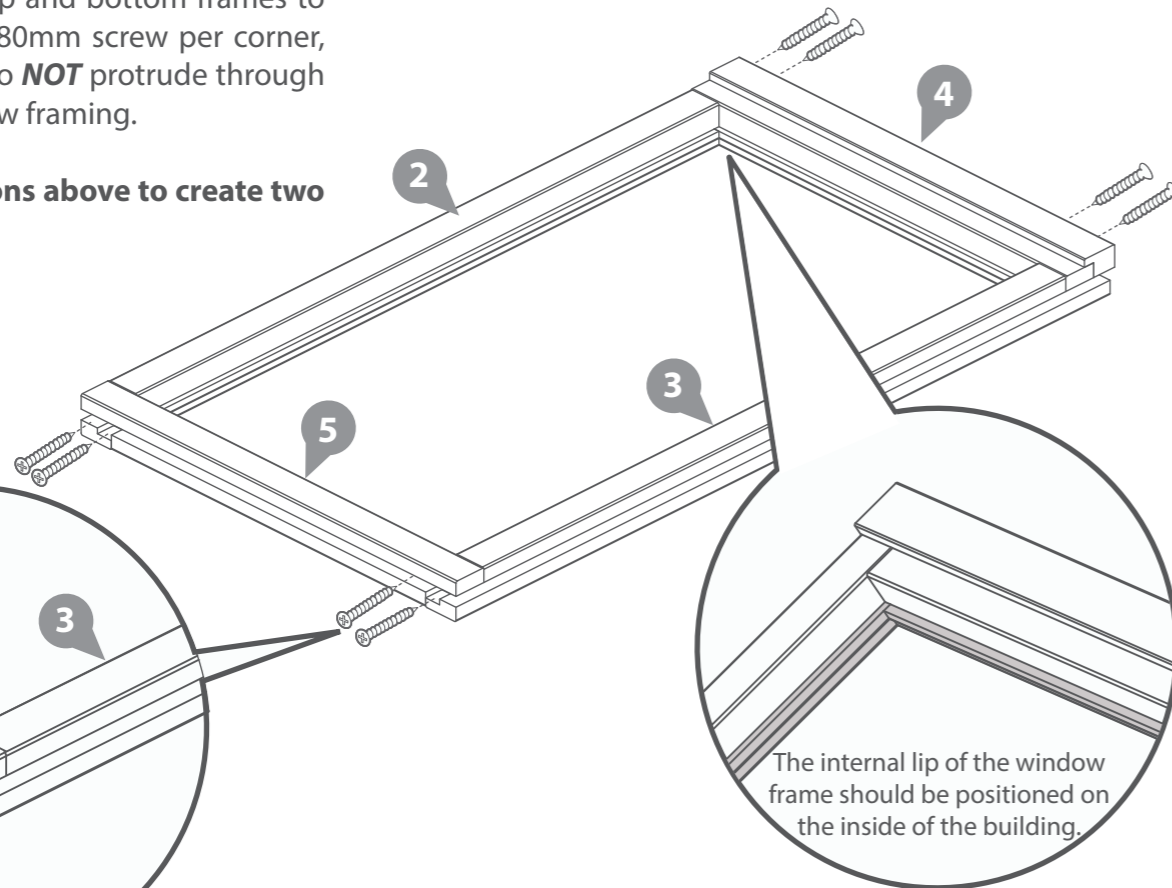
16x80mm Screws



80mm screw



IMPORTANT : Pre-drill before fixing screws.



Step 12

- Parts Needed - No. 1 QTY 2**
No. 7 QTY 4

Position the window (**No. 1**) so that it sits centrally within the window frame. Fix the female part of the flag hinge (**No. 7**) to the window using 4x30mm screws, attach the male part of the flag hinge (**No. 7**) to the window frame using 4x30mm screws ensuring that the window can open and close freely.

Ensure to attach the hinge to the horizontal frame of the window

Repeat this method for both windows

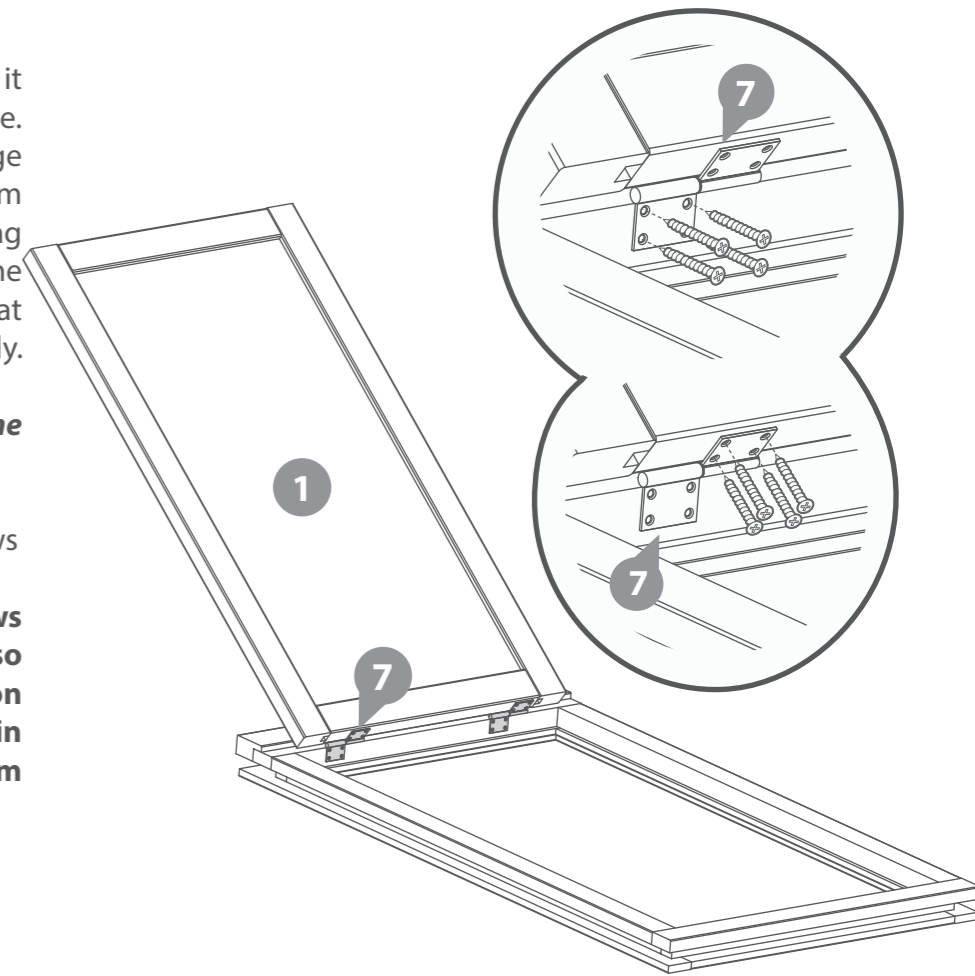
****It is important to fit the windows within the frame at this stage so that you can establish the position of the hinges. The hinges come in two parts. Remove the window from the frame after fitting.**

32x30mm Screws



30mm screw

IMPORTANT : Pre-drill before fixing screws.

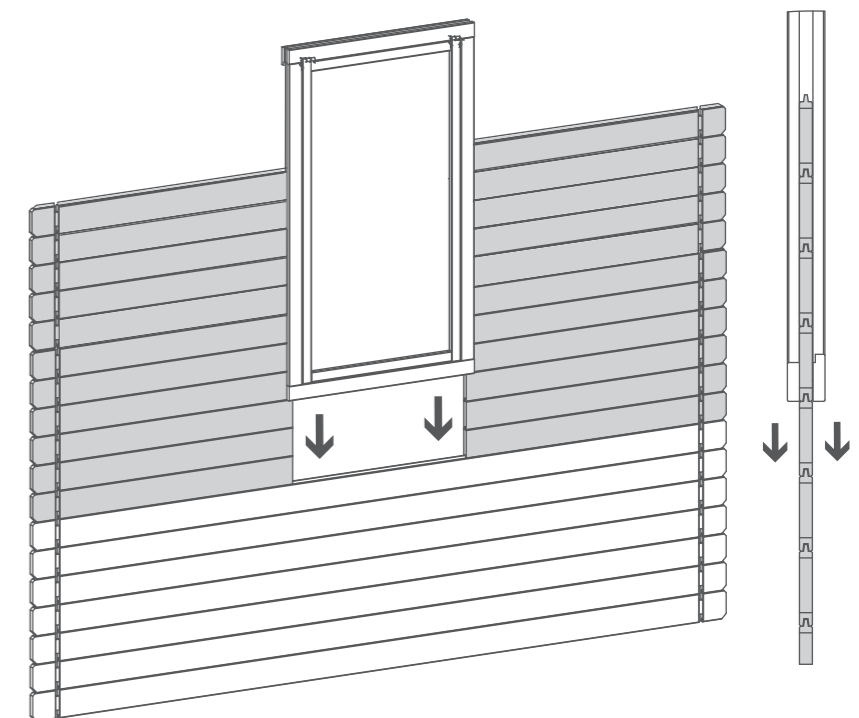


Step 13

Once you have laid the second level of boards onto the log cabin slide the window(s) between the smaller boards and rest on to the longer board (**If you have not yet assembled the window frames refer to step 11**)

***Ensure the boards are level with each end.**

***Please note:** This image is for illustrative purposes and may differ from your choice in product (**regarding window position**). Nevertheless the process of fitting the window is the same

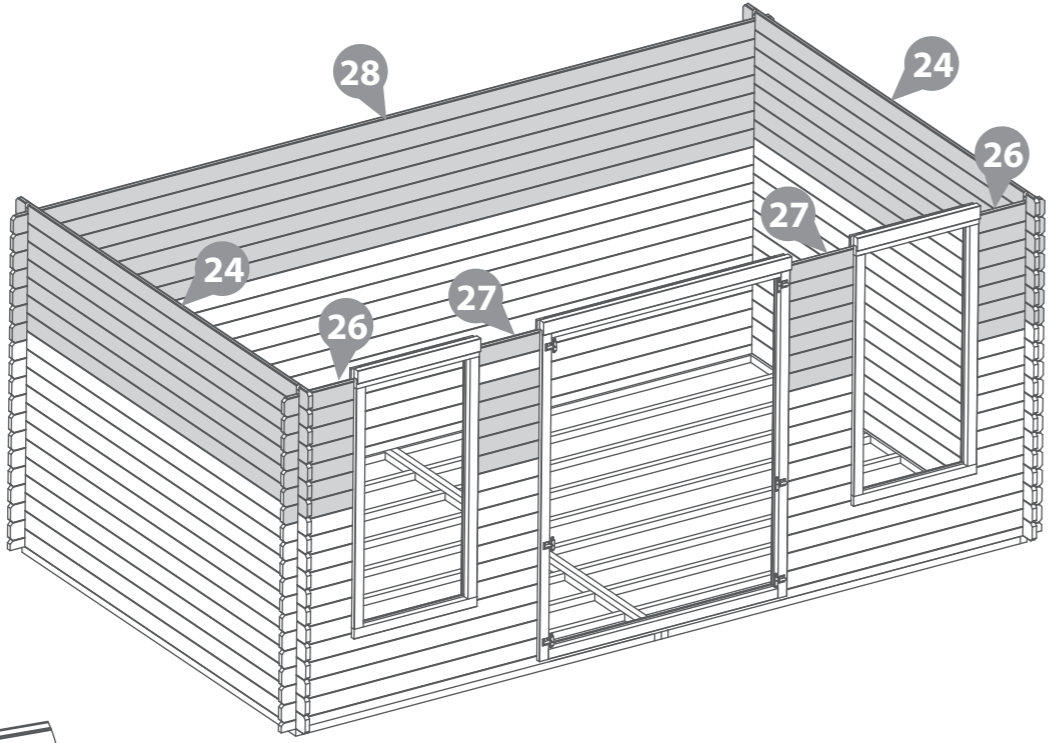
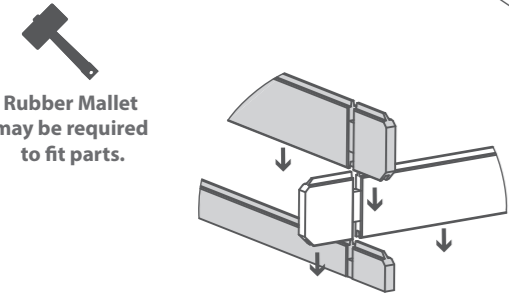


Step 14

- Parts needed - No. 24 QTY 14**
No. 26 QTY 14
No. 27 QTY 14
No. 28 QTY 7

Following the method shown in the illustration, lay the remaining boards (**No. 24, 26, 27, & 28**) onto the assembly to bring the board level to the top of the window and door frames.

**Ensure that the boards are level and flush with each other as you lay each one.*

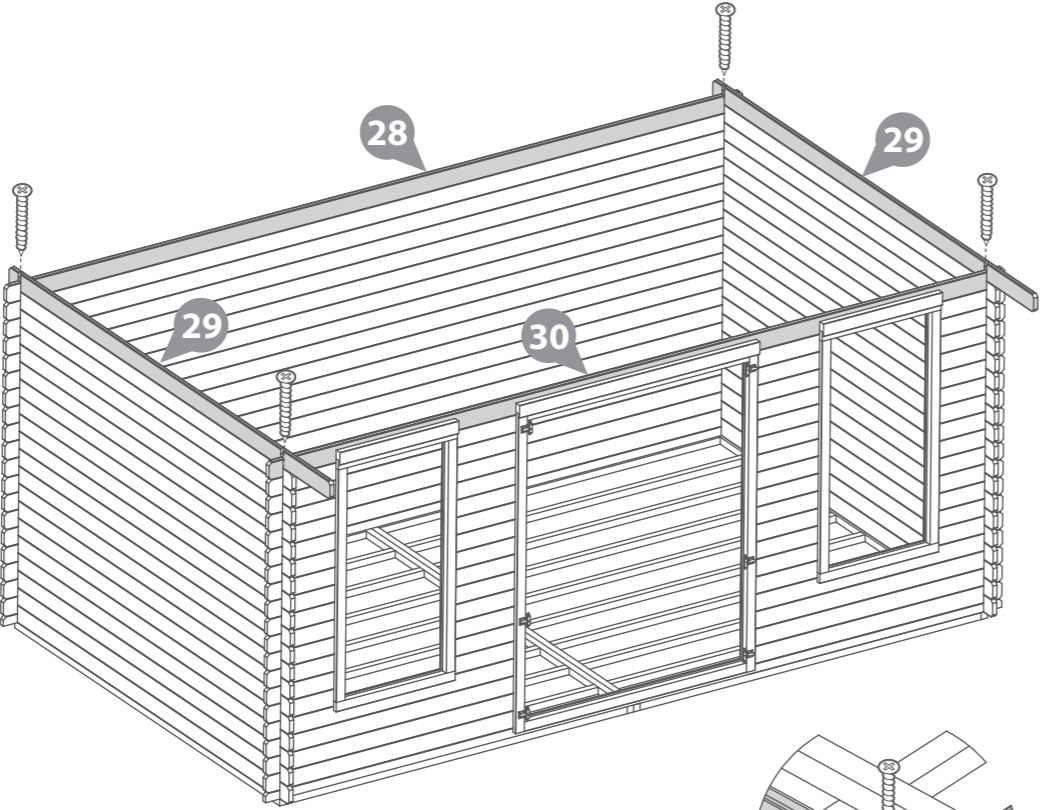
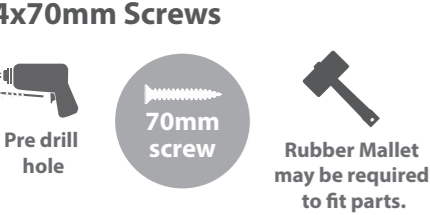


Step 15

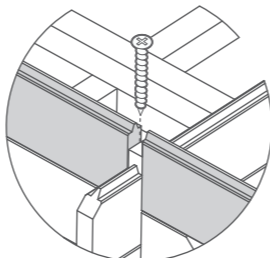
- Parts needed - No. 28 QTY 1**
No. 29 QTY 2
No. 30 QTY 1

Following the method shown in the illustration, lay next boards (**No. 28 & 30**) onto the front and back of the log cabin. Once in position place the last 2 log boards (**No.29**) onto the plain sides, fixing into position by screwing through the notches as shown in the illustration.

**Ensure that the boards are level and flush with each other as you lay each one.*



IMPORTANT : Pre-drill before fixing screws.



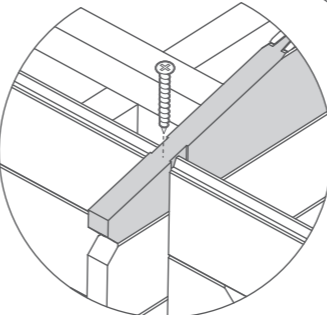
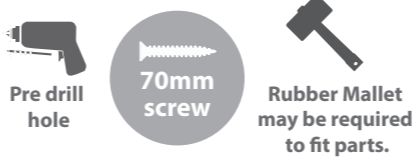
Step 16

- Parts needed - No. 22 QTY 2**

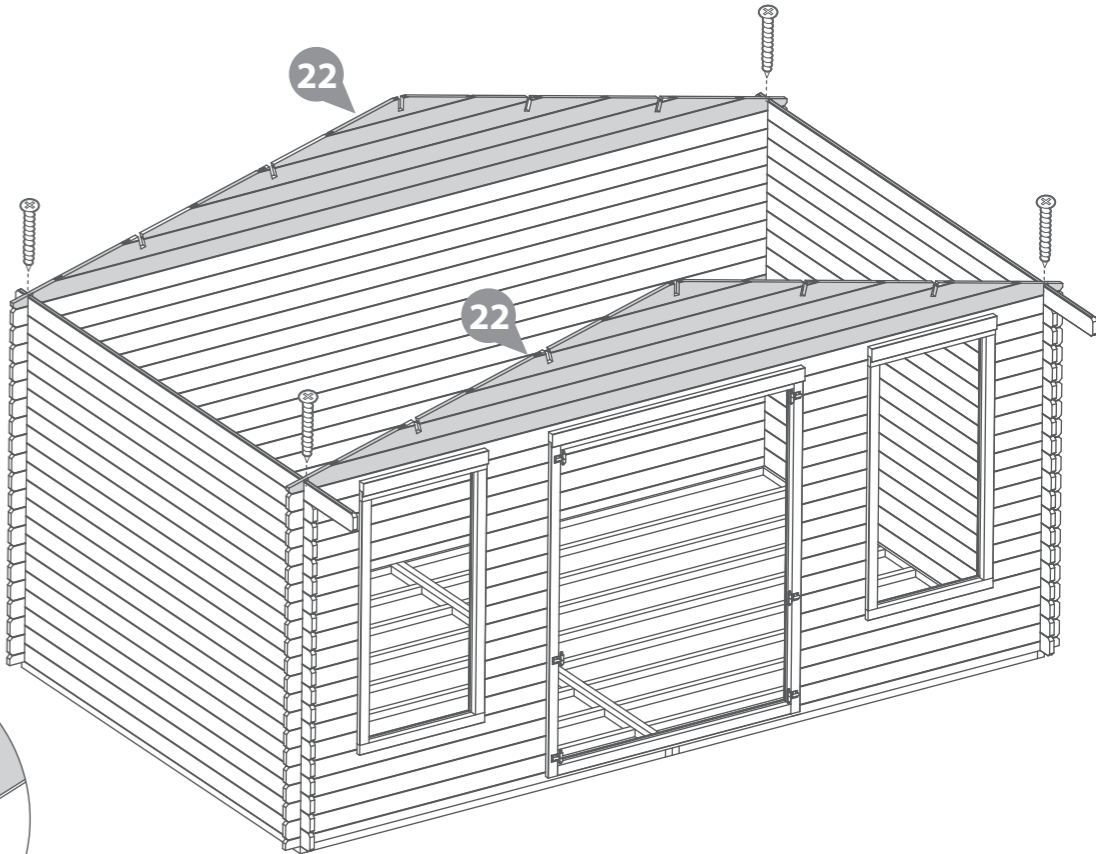
Place the gable tops (**No. 22**) onto the log cabin. Fix into position by screwing through the notches as shown in the illustration.

**Ensure that the boards are level and flush with each other as you lay each one.*

4x70mm Screws



IMPORTANT: Pre-drill before fixing screws.



Step 17

Parts needed - No. 35 QTY 5

a Align the Roof Purlin(s) (No. 35) into the cut out slots on each gable top ensuring each purlin interlocks the boards.

b Secure the purlins at each end by screwing through the bars into the boards (**ensure to pre-drill to avoid the boards splitting**) using 4x70mm screws per purlin.

**Please note: The gable shown is for illustrative purposes and may differ in width from your choice in product.*

Nevertheless, despite any differences the process of fixing the purlins is the same.

20x70mm Screws



Pre drill hole

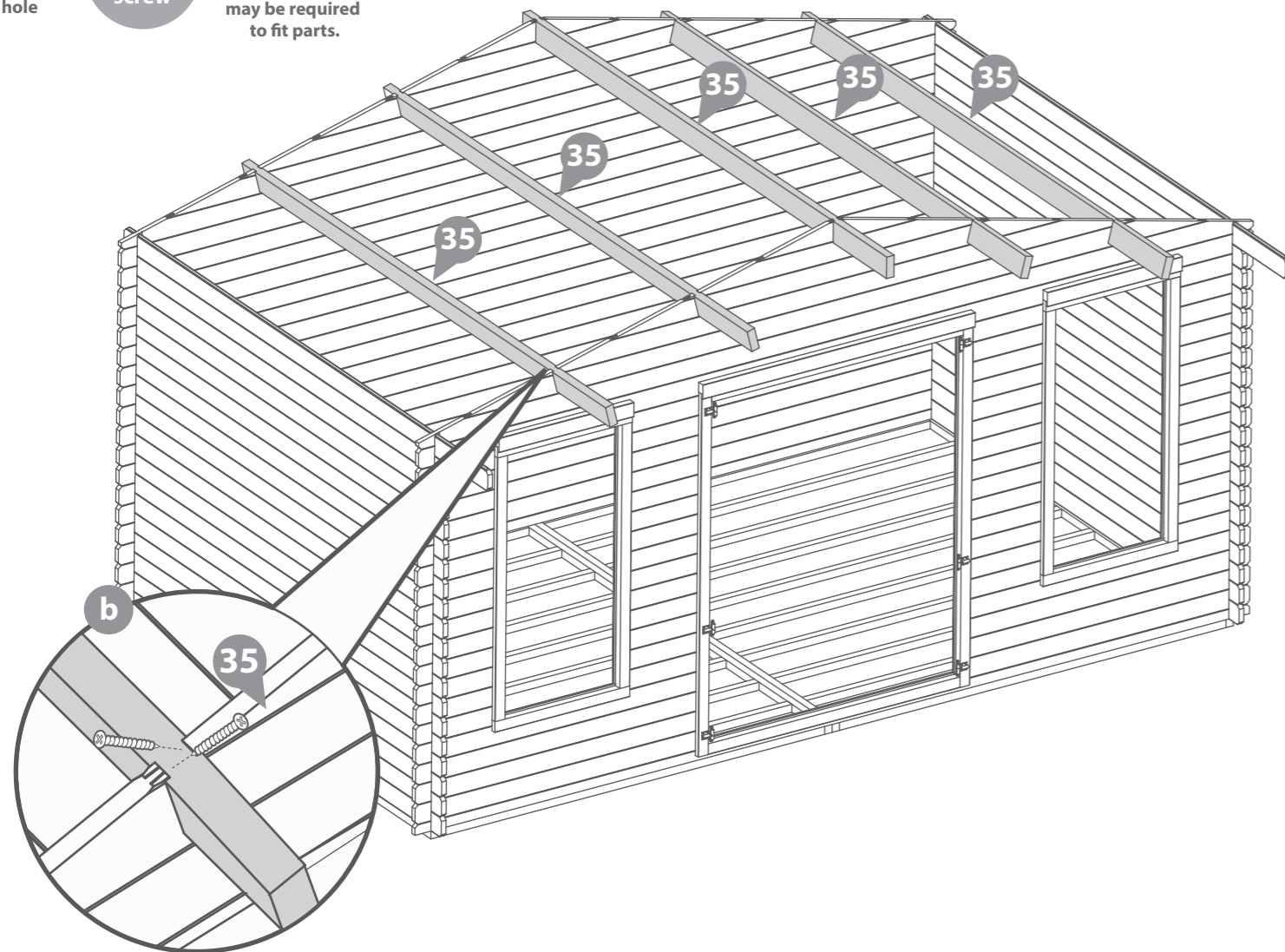
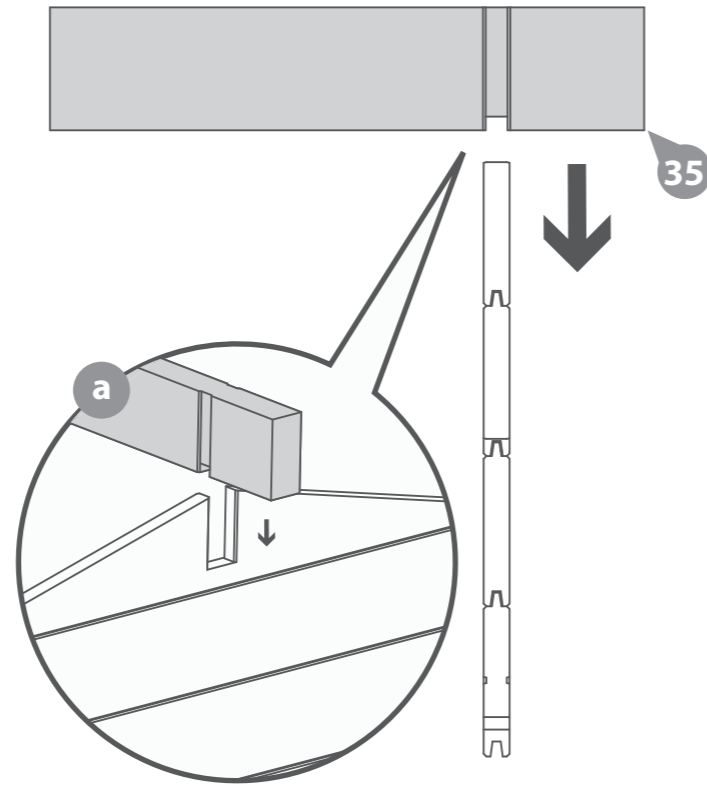


70mm screw



Rubber Mallet may be required to fit parts.

IMPORTANT : Pre-drill before fixing screws.



Step 18

Parts needed - No. 31 QTY 64

a Place the first two roof board's (No. 31) onto the log cabin on each side, making sure the boards are flush to the end of the roof purlin. Once in position fix to each purlin using 4x40mm screws.

Ensure the roof boards are not laid too close together, use the spacers (No. 42) provided to create a 2mm gap. Adjusting the spacing between the boards allows the wood to swell in damp weather.

Continue adding the roof boards along the roof, fixing each one into position using 4x40mm screws, making sure that each board is interlocked, flush at the bottom & meet at the top of the apex.

You have been provided with 64 roof boards however, you may only need to use 62.

***Ensure the roof boards meet at the top of the apex and leave an overhang at the bottom.**

b The last board on each side will overhang past the ends of the purlins; Using a straight edge and a pencil mark out a line as a guide.

Cut along the pencil mark and remove the excess. Place the cut down board's back onto the roof and secure into place using 4x40mm screws per board.

**Please Note: This image is for illustrative purposes and may differ from your choice in product. Nevertheless the process of cutting and fitting the last roof boards is the same.*

256x40mm Screws



*Cut to fit

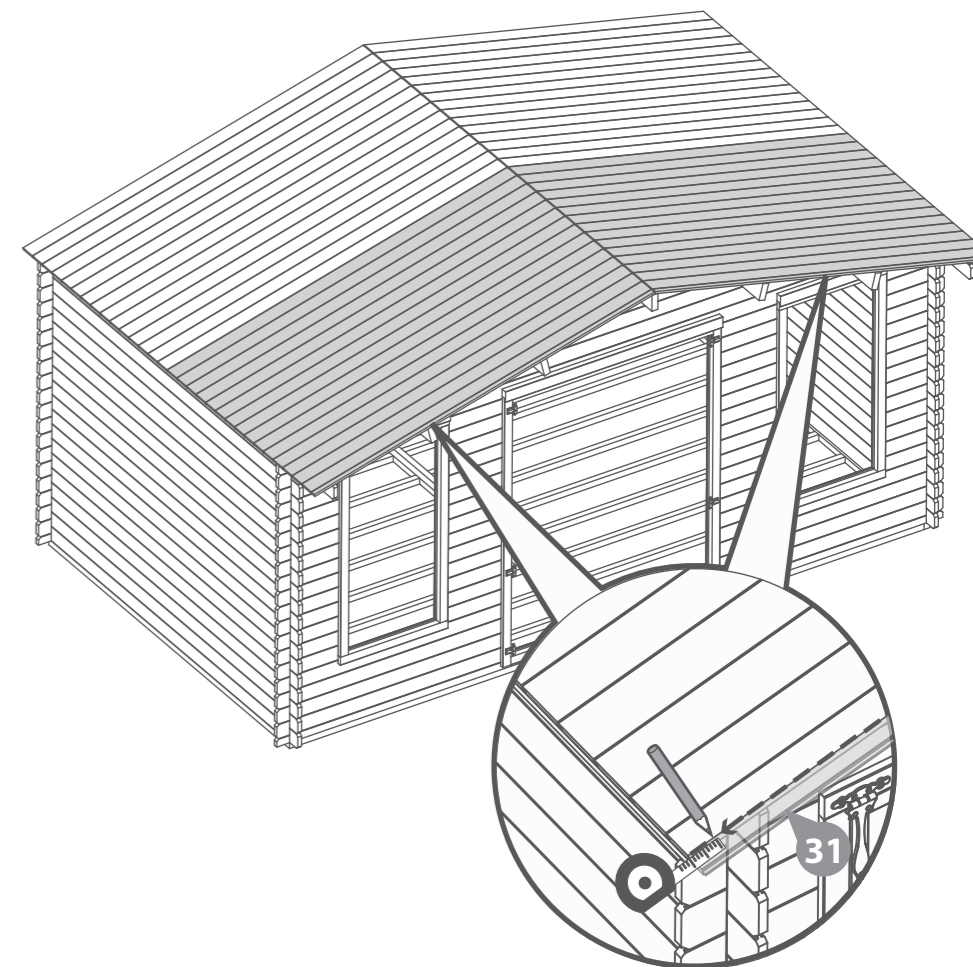
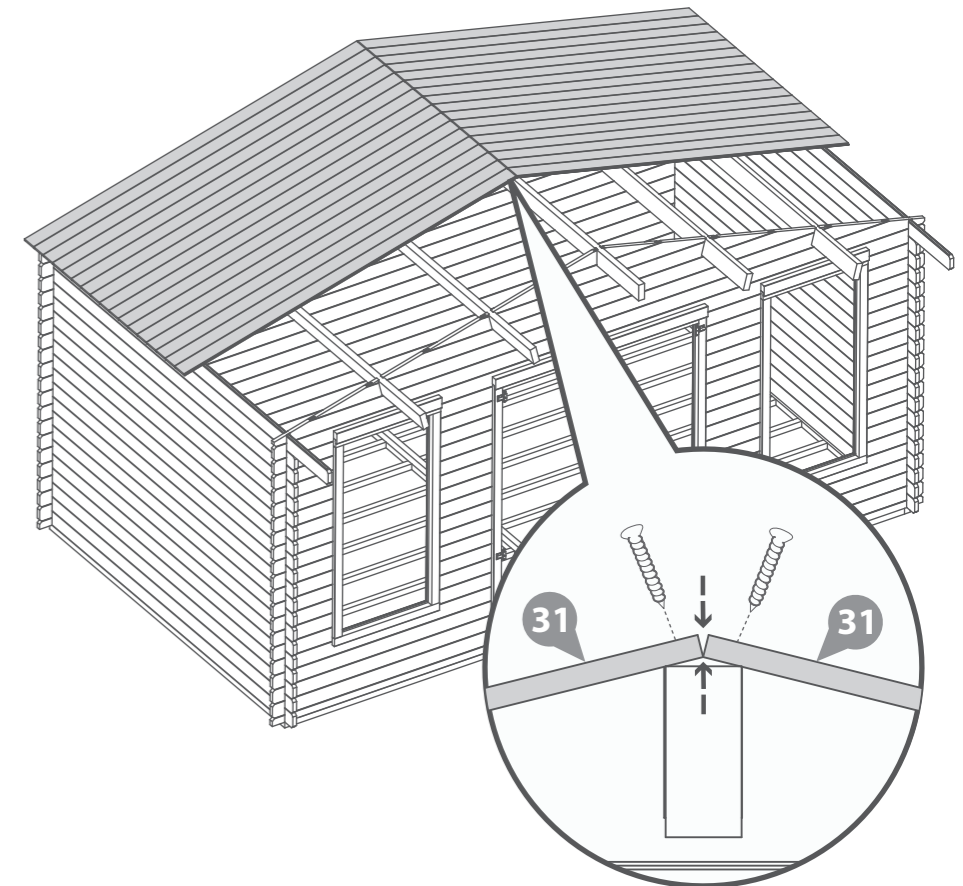


Pre drill hole



40mm screw

IMPORTANT : Pre-drill before fixing screws.

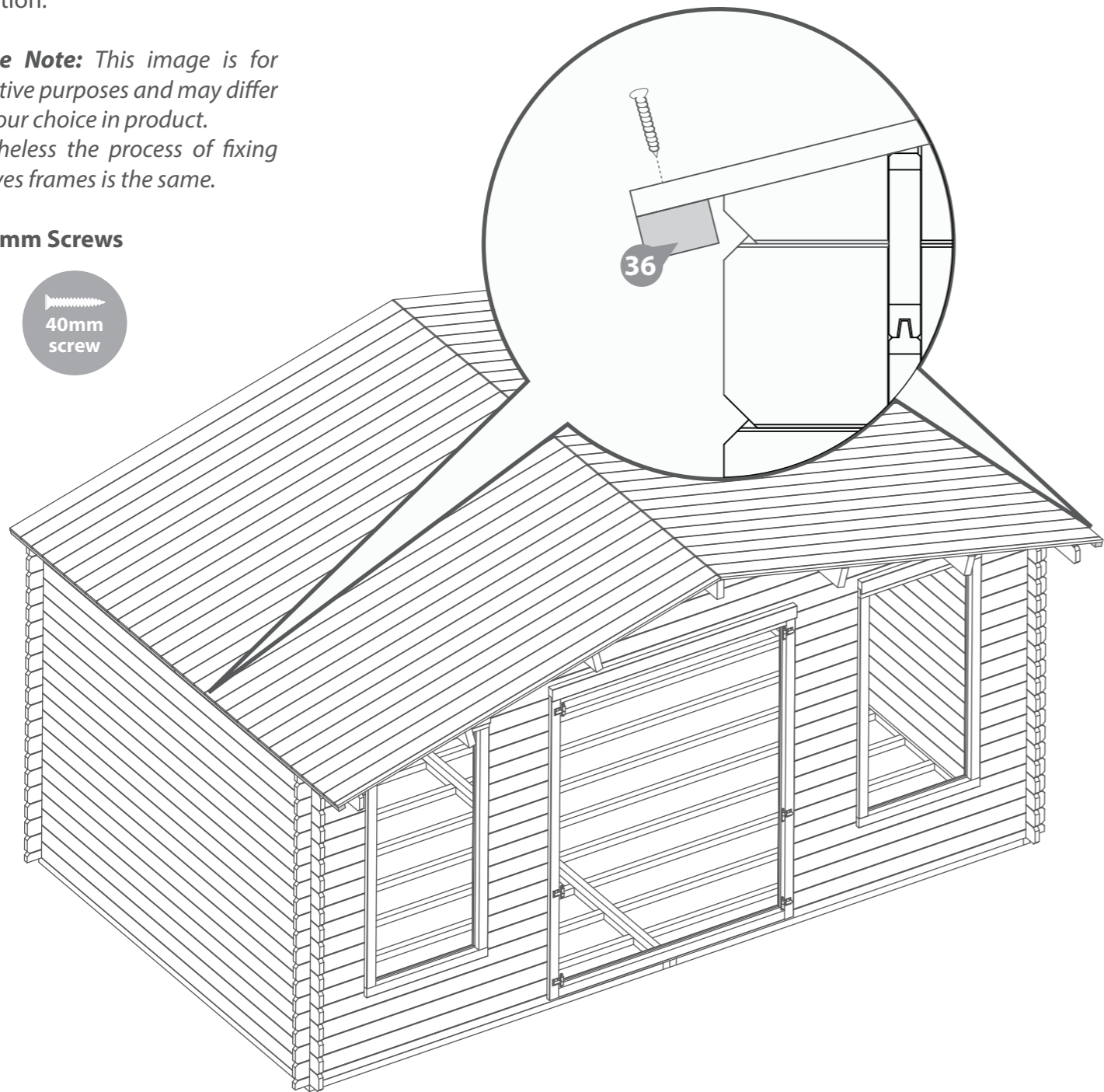


Step 19
Parts needed - No. 36 QTY 4

Ensuring the roof boards are flush at the overhanging side and meet at the apex, fix the Eaves Frames (No. 36) to the underside of the roof boards using 9x40mm screws as shown in the illustration.

**Please Note: This image is for illustrative purposes and may differ from your choice in product. Nevertheless the process of fixing the eaves frames is the same.*

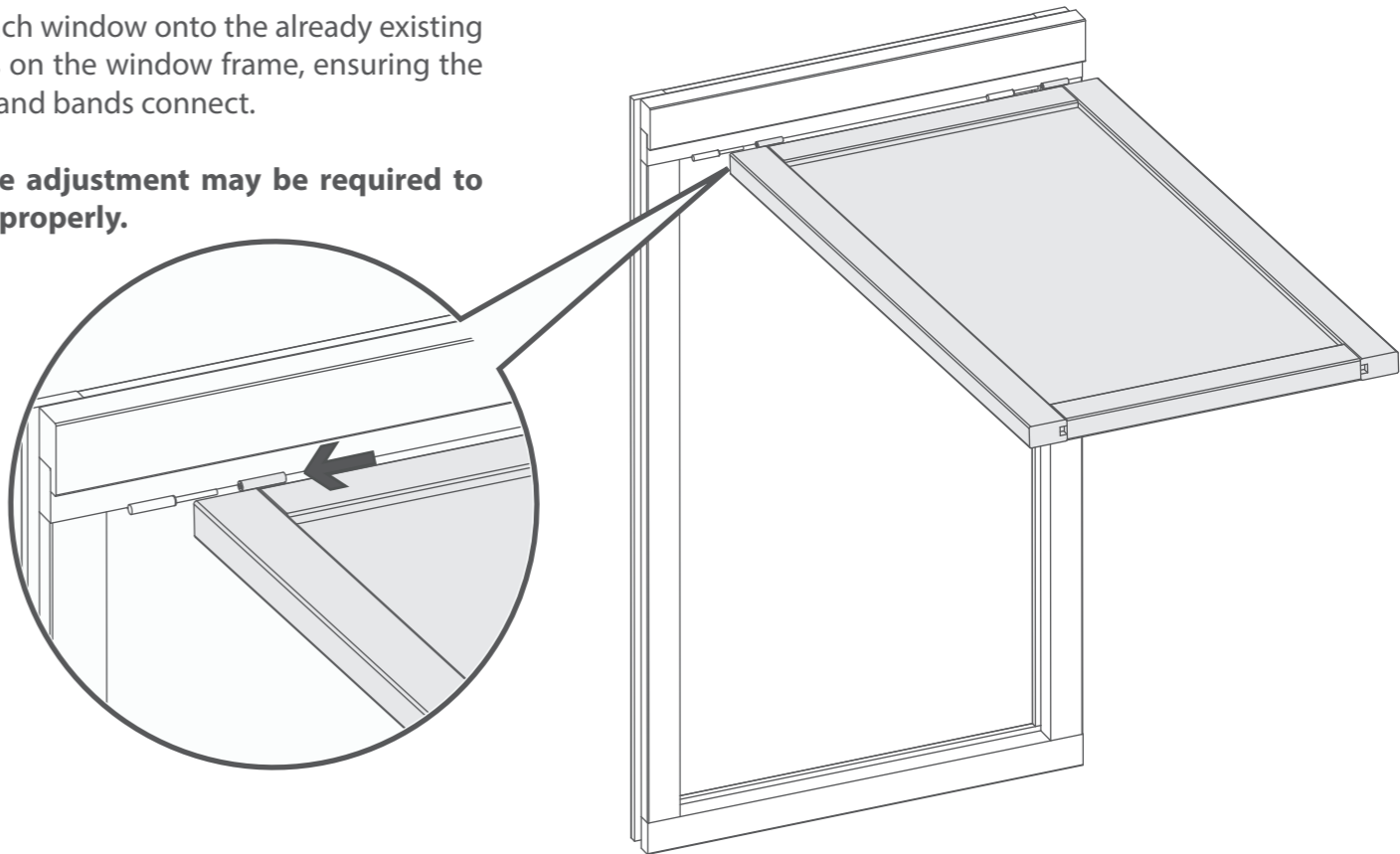
36x40mm Screws



Step 20

Lift each window onto the already existing hooks on the window frame, ensuring the hook and bands connect.

***Some adjustment may be required to align properly.**



Step 21
Parts Needed - No. 8 Qty 2

Fix the casement stay (No. 8) onto the window (No. 1) and the casement stay pins to the window framing using 6x30mm black screws.

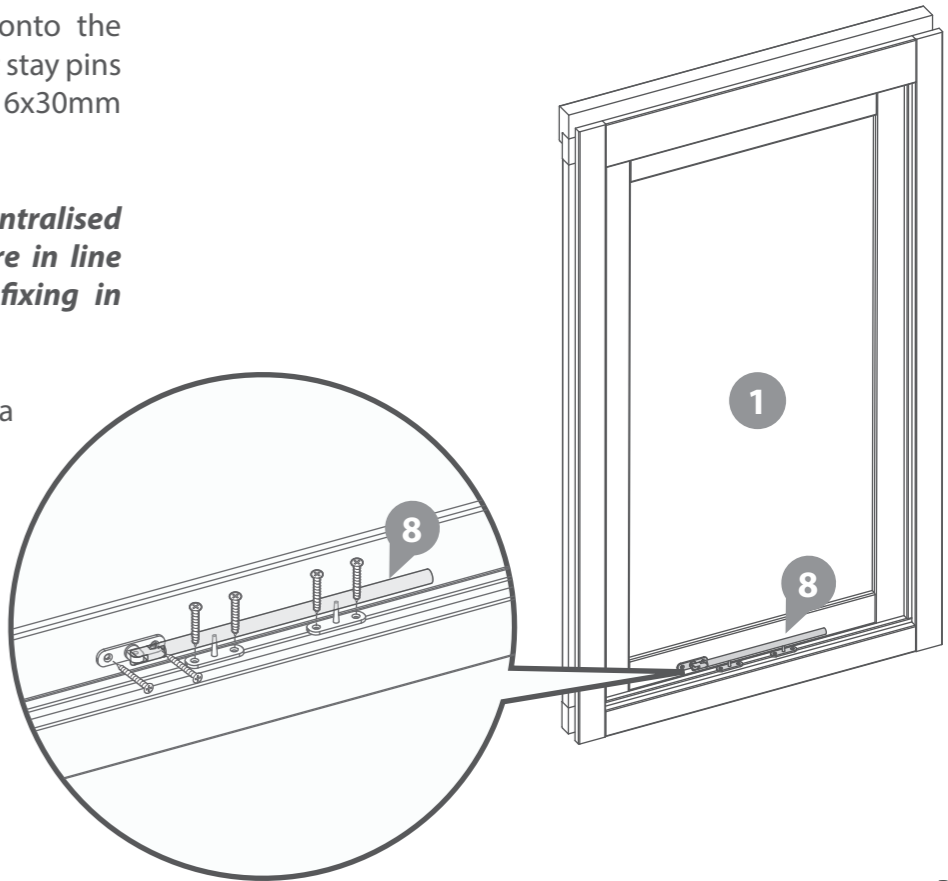
***Ensure the casement stay is centralised on the window and the pins are in line with the pin receivers before fixing in place.**

Repeat the above steps to attach a casement stay to both windows.

12x30mm Screws



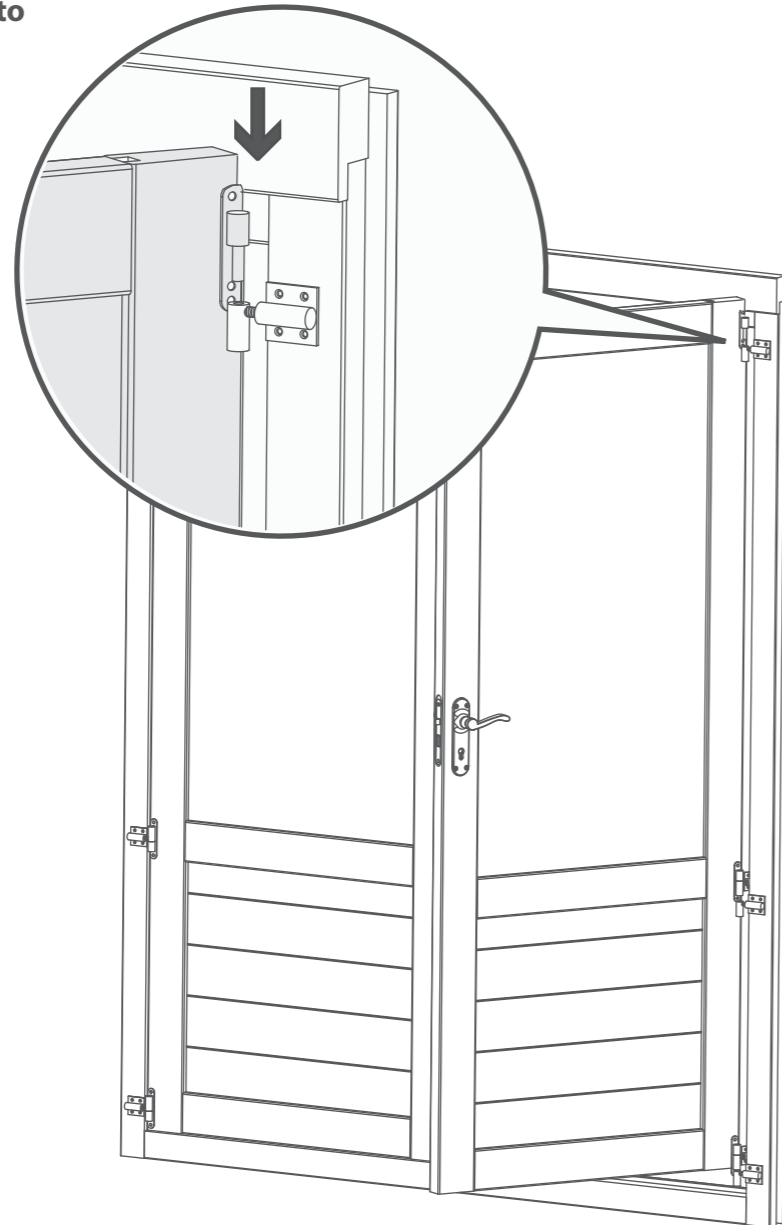
IMPORTANT : Pre-drill before fixing screws.



Step 22

Lift each door onto the already existing hooks on the door frame, ensuring the hook and bands connect.

***Some adjustment may be required to align properly.**



Step 23

**Parts Needed - No. 18 QTY 1
No. 19 QTY 1
No. 20 QTY 1**

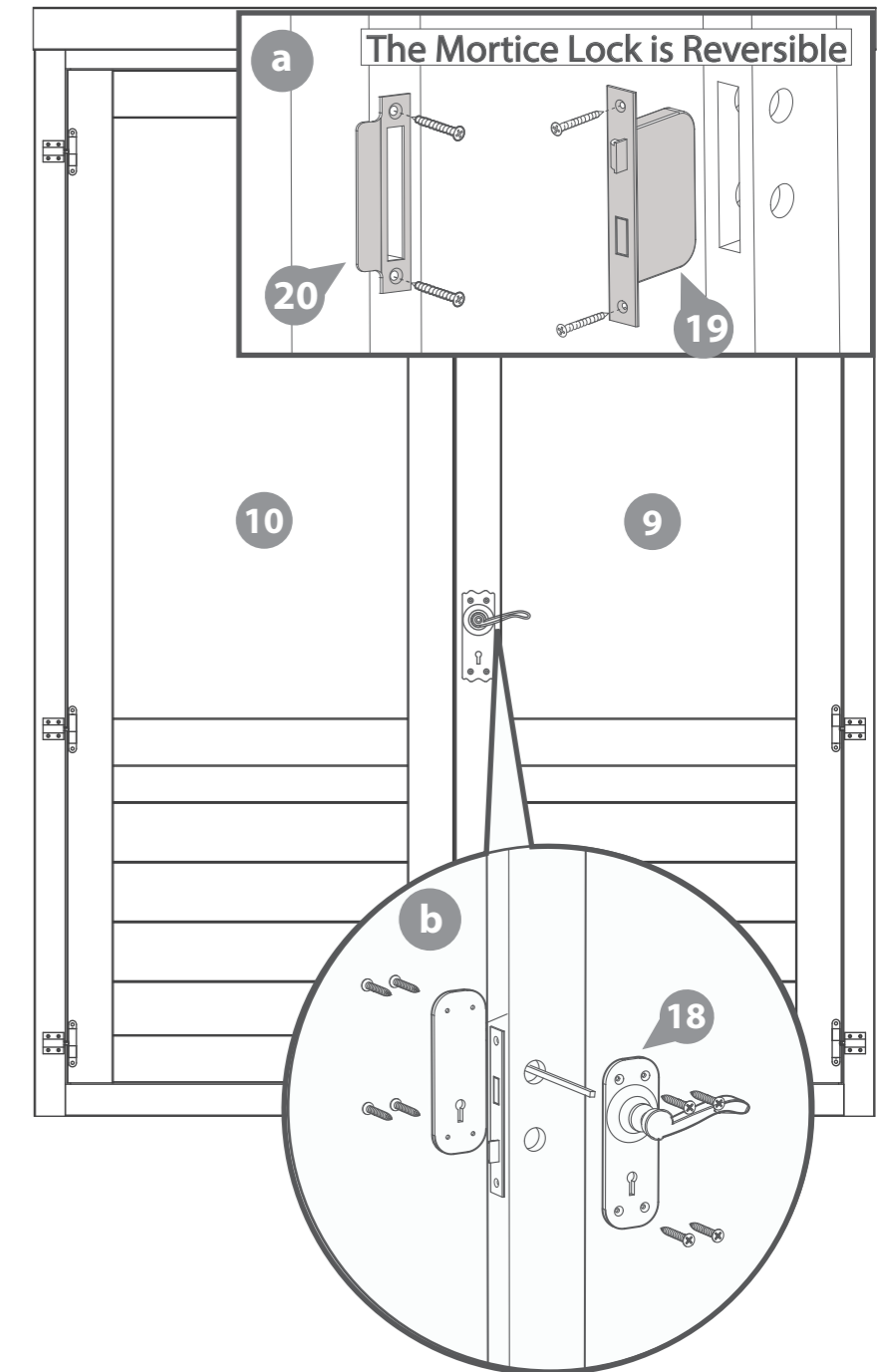
- a** Fit the Mortice lock (**No. 19**) into the recess in the master door (**No. 9**) and secure using the screws provided. Attach the Key plate (**No. 20**) to the secondary door (**No. 10**) with 4x30mm screws.
- b** Fit the door handles (**No. 18**) and connect with the metalbar to the mortice lock using 8x30mm screws. Ensure the lock mechanism closes correctly. If not, remove the lock and turn the catch around using the small grub screw.

***Please note:** This image is for illustrative purposes and may differ from your choice in product (**regarding ironmongery**). Nevertheless the process of fixing is the same. Once components have been fitted, try closing doors to ensure the doors can be closed and the lock works. If your doors do need adjusting please look at step 8.

12x30mm Screws



IMPORTANT : Pre-drill before fixing screws.



Step 24

**Parts Needed - No. 15 QTY 1
No. 21 QTY 2**

Attach the Door Strip (**No. 15**) to the back of the secondary door using 4x40mm screws as shown.

a Once fixed, place the Tower Bolts (**No. 21**) roughly into position and with a pencil mark the around the bolt.

b After marking the bolt onto the frame, drill a hole for the barrel bolt to locate into.

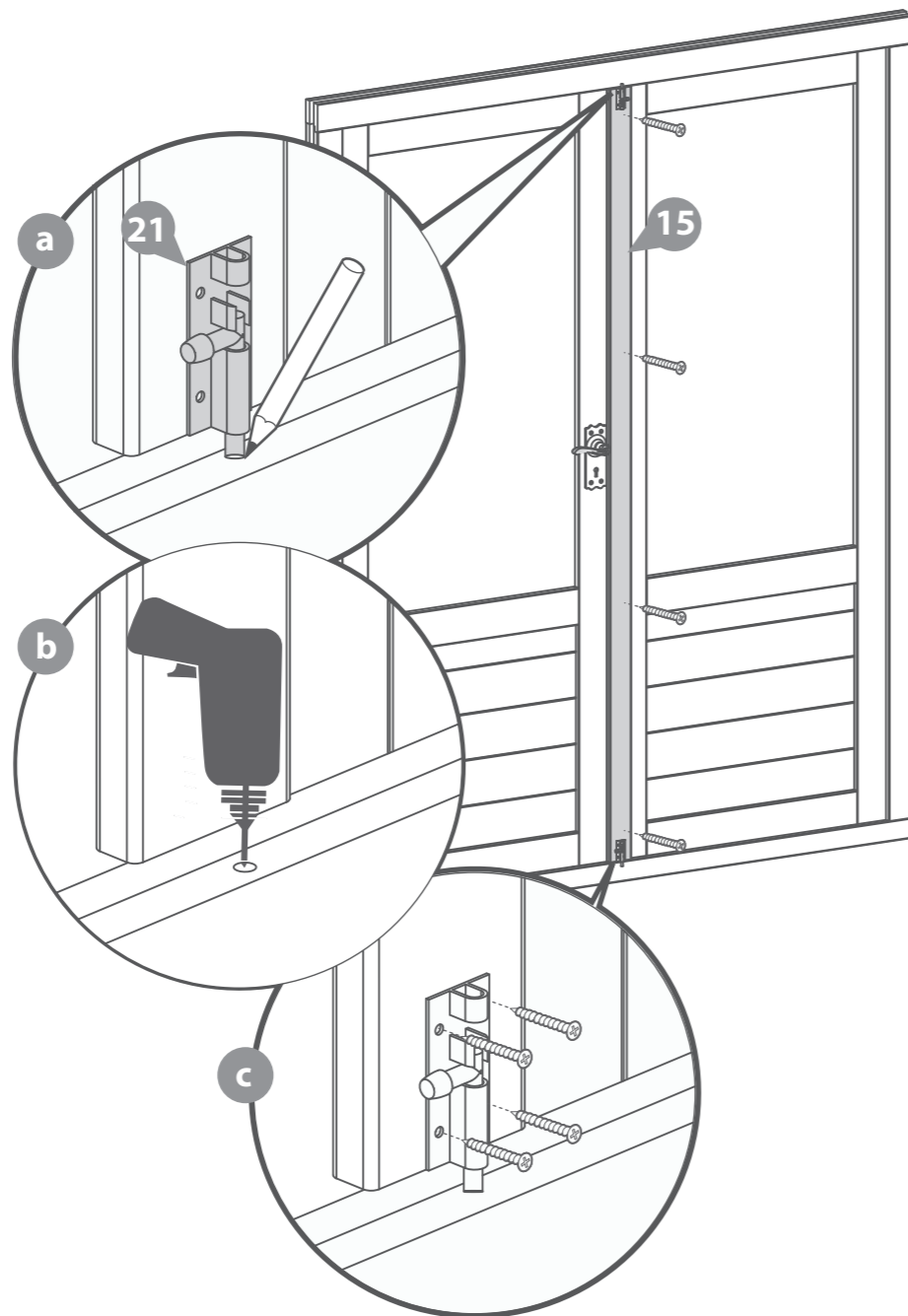
c Following the hole being drilled, place the tower bolts into position and secure using the screws provided.

12x40mm Screws



Pre drill hole

40mm screw



IMPORTANT : Pre-drill before fixing screws.

Step 25

Parts needed - No. 32 QTY 44

Place the first floor board (**No. 32**) inside the building flush to the log board on one side. Continue adding the floor boards (*internally*) making sure to interlock each individual board.

You have been provided with 44 floor boards however, you may only need to use 43.

***Do NOT secure the boards until the last board has been measured and cut.**

Following the same method as before measure the gap between the bottom of the tongue (**on the last board placed**) and the log board.

Using a straight edge mark out the measurement onto the last floor board (**No. 32**) and cut along the length removing the excess.

****Please note:** Mark the final board 2mm under the measurement; This will allow the timber to expand and contract correctly.

Once all the floor boards are in position secure each board into position using 8x40mm screws.

*****Please Note:** Ensure to screw through each of the floor boards into the floor bearers.

352x40mm Screws



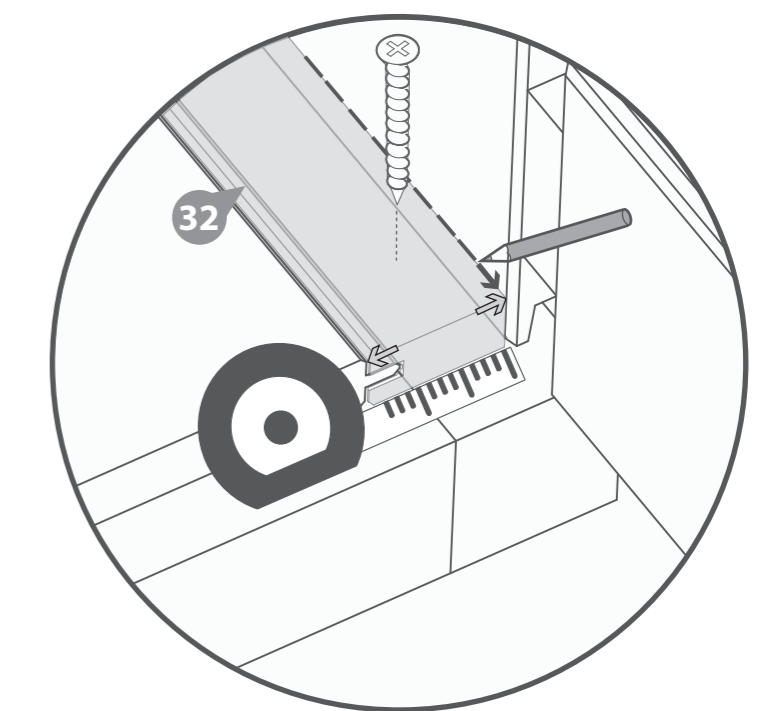
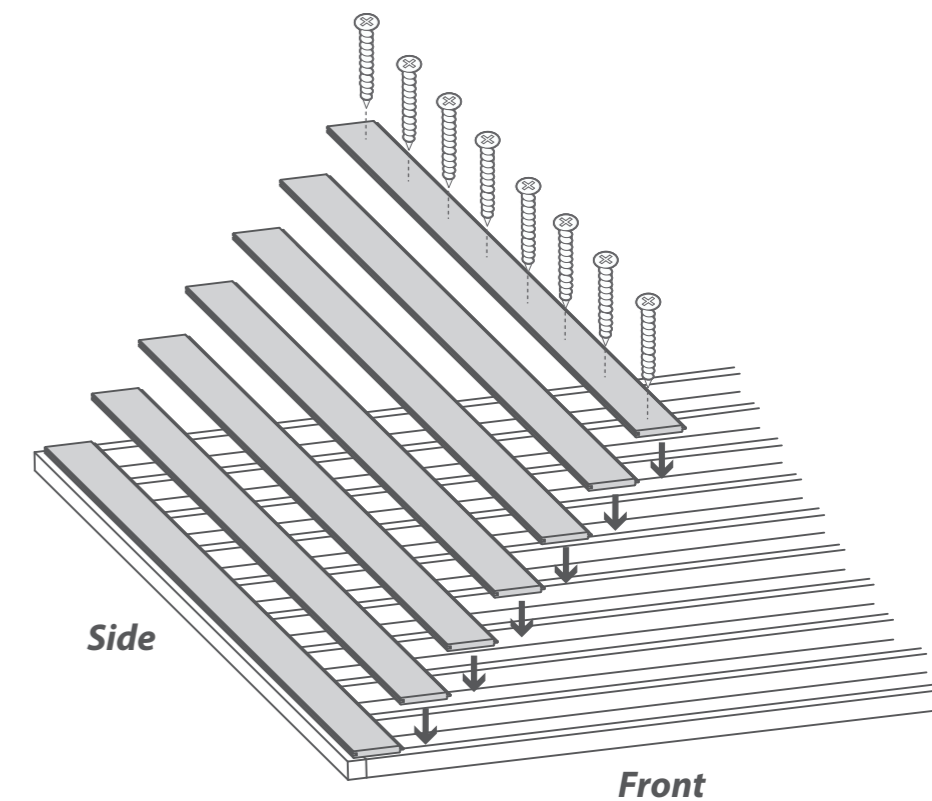
*Cut to fit



Pre drill hole

40mm screw

IMPORTANT: Pre-drill before fixing screws.



Step 26
Parts needed - No. 40 QTY 8

Inside the building place the closure trim (**No. 40**) against the boarding and align with the roof as shown in the illustration.

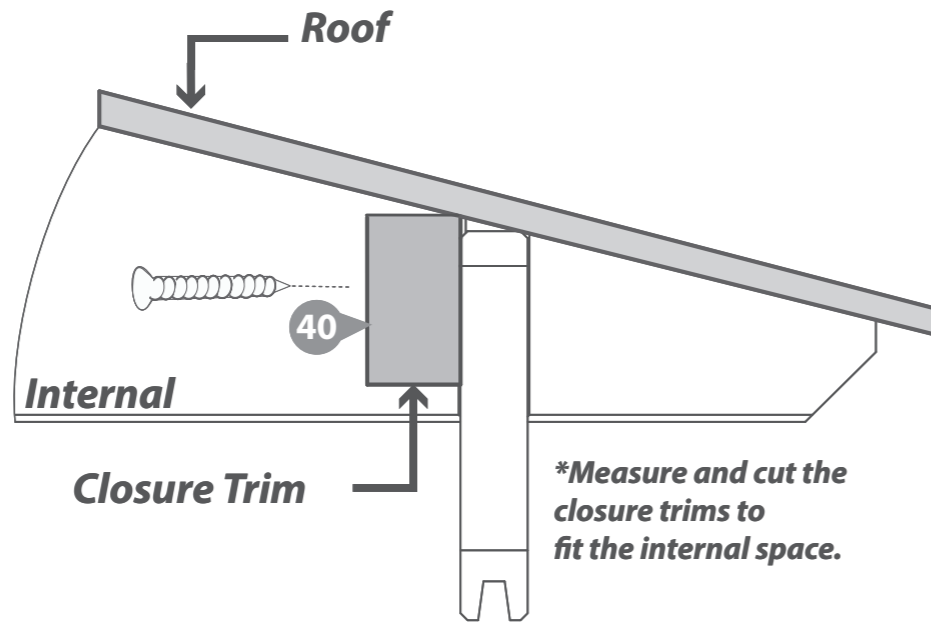
***Measure and cut the closure trims to fit the internal space.**

Once in position fix each trim into place by pre drilling a pilot hole and using 6x30mm screws per trim, equally spacing them along the face of the board.

48x30mm Screws



IMPORTANT: Pre-drill before fixing screws.



Step 27
Parts needed - No. 40 QTY 7

Once the floor has been laid arrange the closure trim (**No. 40**) around the outside edge of floor (**internally**), measure and cut down accordingly to best match the internal space.

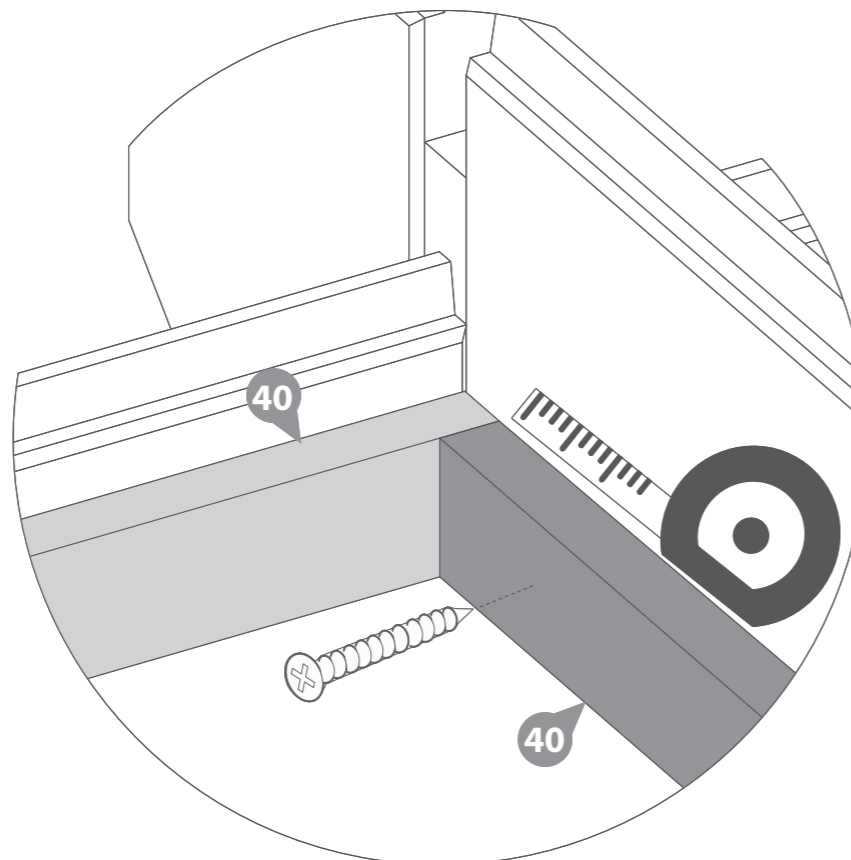
Secure each trim section into place using 6x30mm spaced equally along the board as shown in the illustration.

***Do NOT fix the closure trim to the floor boards.**

42x30mm Screws



IMPORTANT: Pre-drill before fixing screws.



Step 28
Parts needed - No. 41

Cut the felt into six strips lay onto the roof in the order shown in the illustration.

***Ensure there is approximately 50mm of overhanging felt each side.**

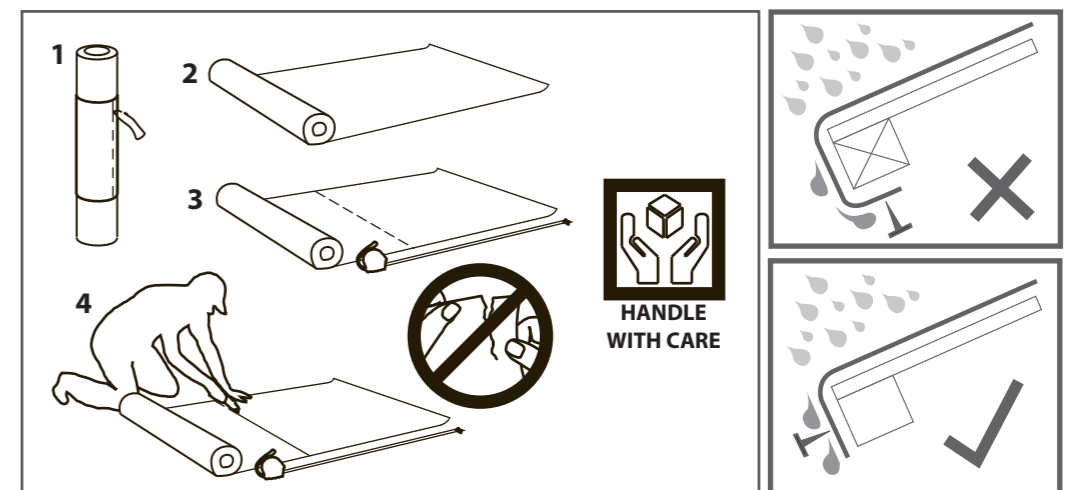
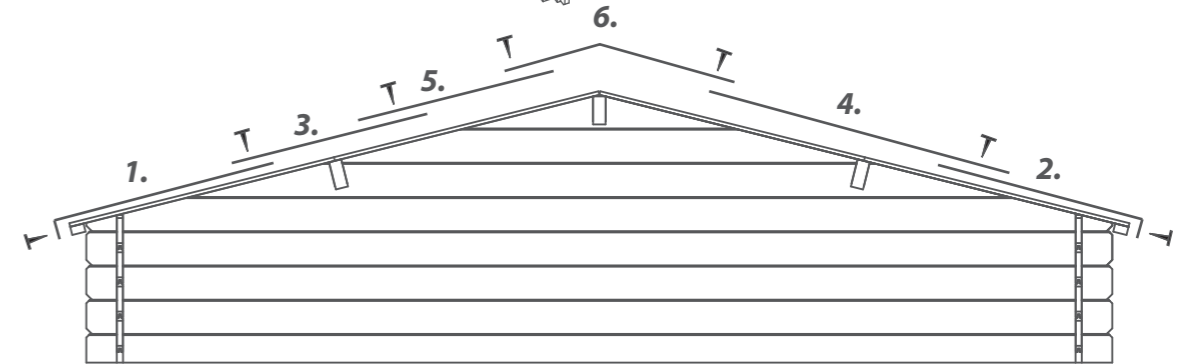
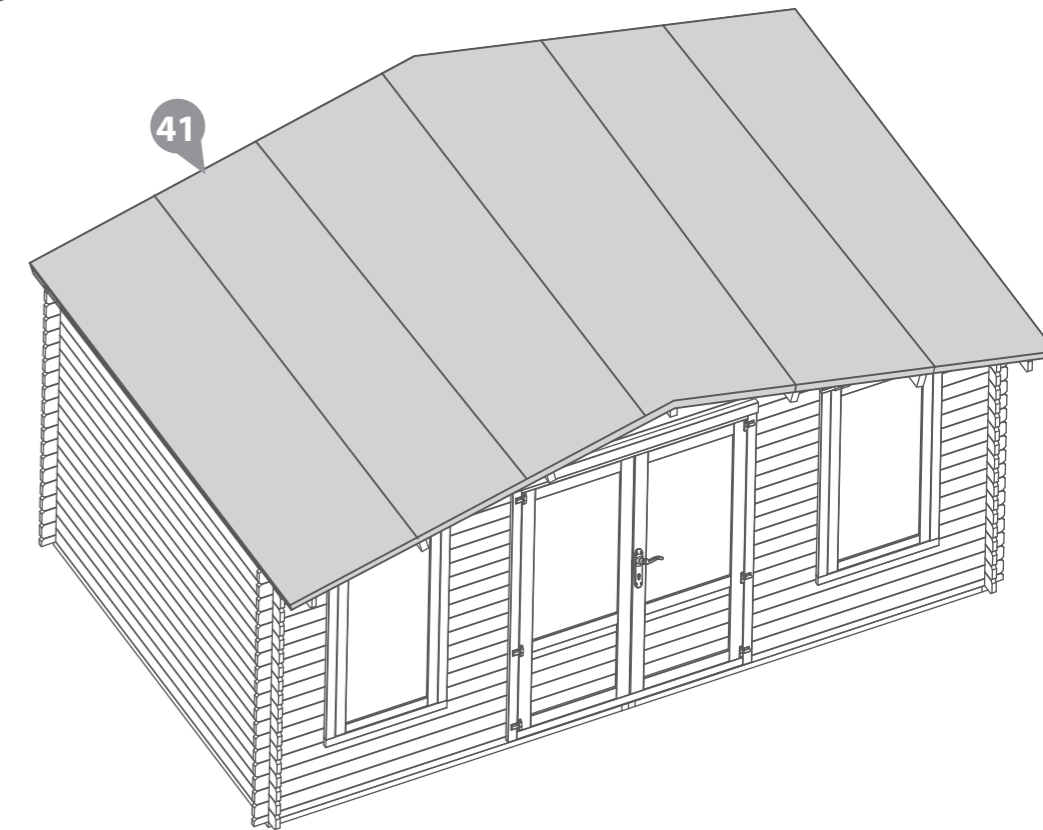
Once the felt is laid out fix to the roof using felt tacks at 100mm intervals.

***Felt size: 3500mm**

300x Felt Tacks



IMPORTANT: Pre-drill before fixing screws.

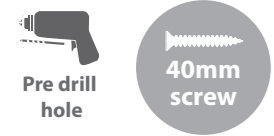


Step 29

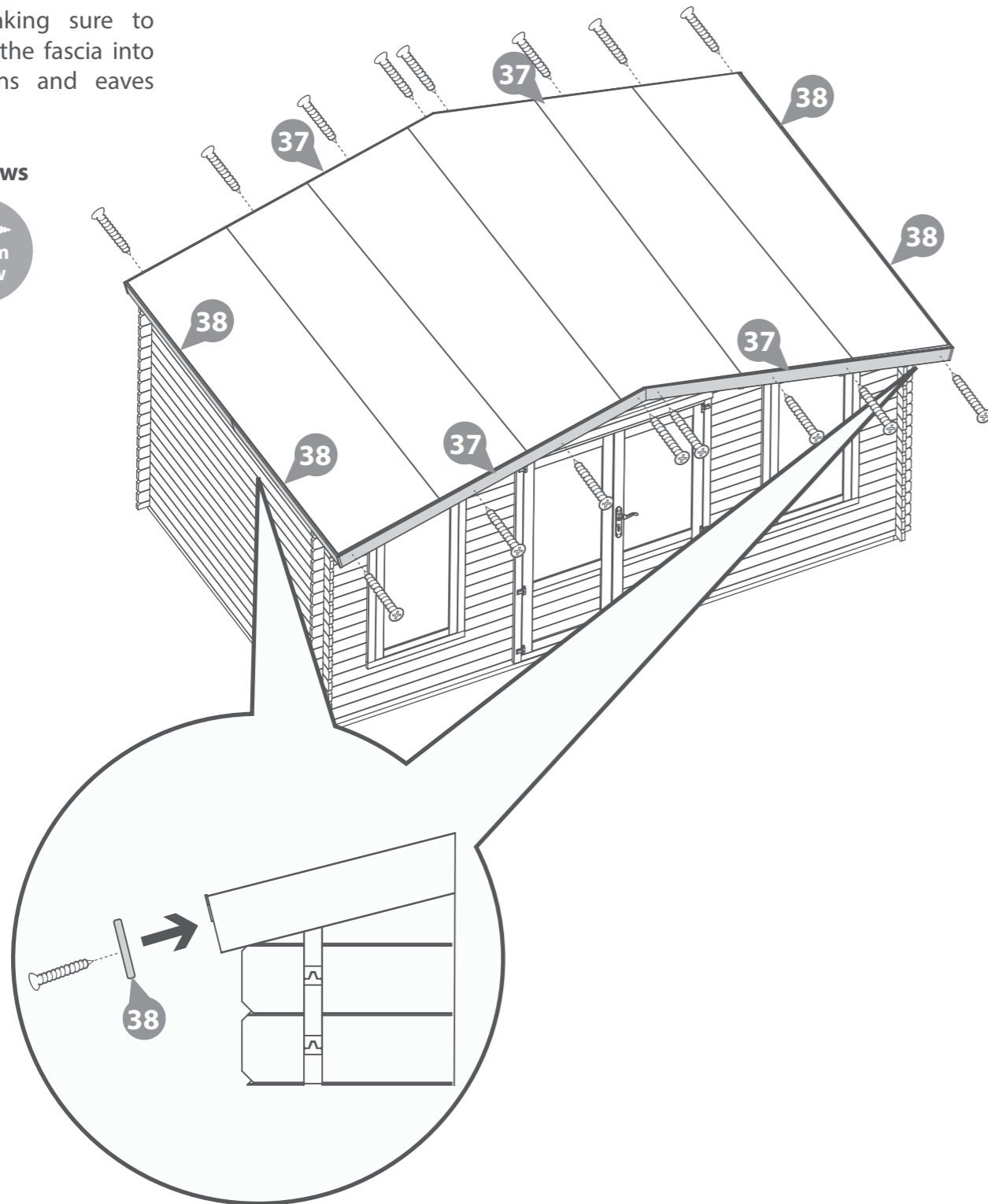
Parts needed - No. 37 QTY 4
No. 38 QTY 4

Align the fascia's (**No's. 37 & 38**) with the roof and fix into place using 3x40mm screws per fascia, making sure to screw through the fascia into the roof purlins and eaves frames.

24x40mm Screws



IMPORTANT: Pre-drill before fixing screws.



Step 30

Parts needed - No. 39 QTY 8

Arrange the storm braces (**No. 39**) around the building (**internally**). Place 2x storm braces per side fixing into place using 2x 80mm bolts per brace making sure the washer & nut are tightened from the outside of the building.

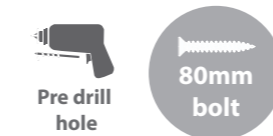
***Ensure the storm braces are secured at the highest point possible on each side.**

The storm braces will need to be altered during the buildings life as the moisture content within the log boards changes. The boards will expand during periods of high moisture (Winter) and shrink during periods of low moisture (Summer.)

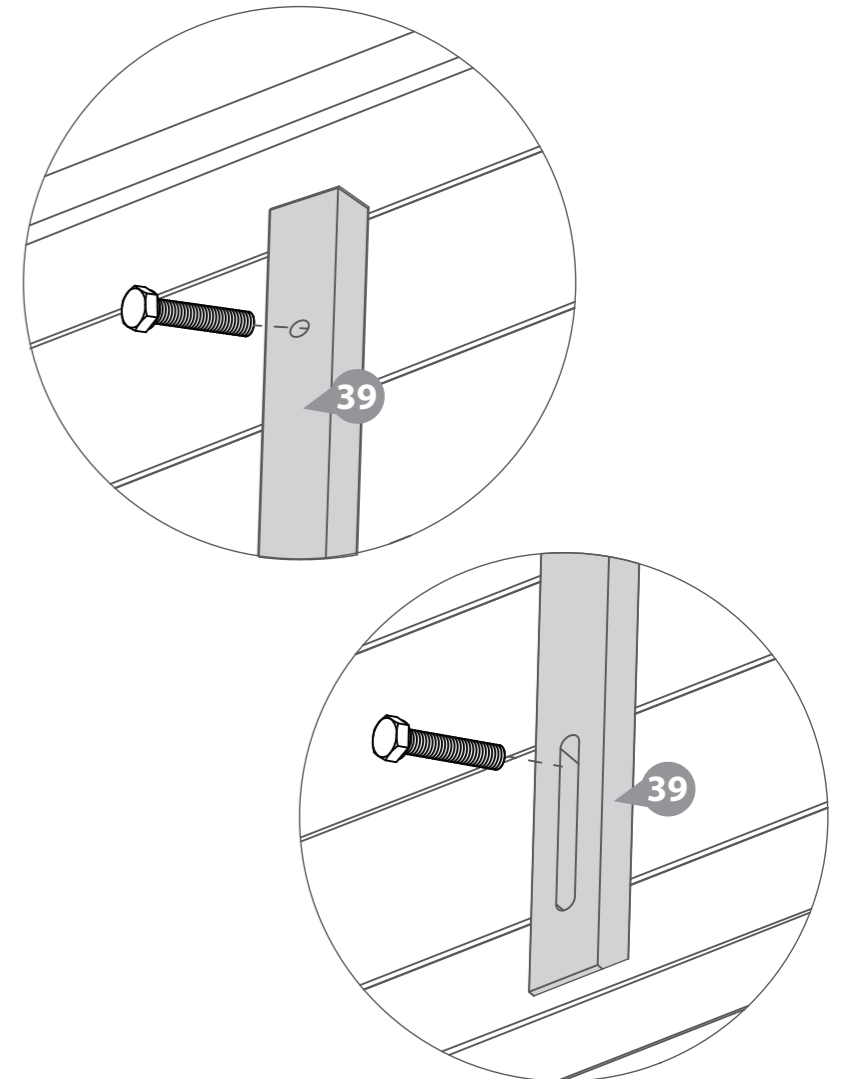
****Storm braces will help your building expand and contract properly.**

*****Important: Ensure each bolt is tightened using a washer so as not to damage the log boards.**

16x80mm Bolt Sets



IMPORTANT: Pre-drill before fixing screws.



Step 31

Parts Needed: No. 6 QTY 2
No. 16 QTY 1

IMPORTANT : Pre-drill before fixing screws.

Attach the Rain Guards (**No.6**) to the window frame, fixing in place onto the framing above each window using 3x70mm screws per guard.

Attach the Rain Guard (**No.16**) to the door frame, fixing in place onto the framing above the Door using 3x70mm screws.

9x70mm Screws.

