

General Instructions

Please retain product label and instructions for future reference

01DTPRMSHAX1010DDOP-V1

DIP TREATED PREMIUM SHIPLAP APEX 10X10 DOUBLE DOOR OPENING WINDOW

BEFORE YOU START PLEASE READ INSTRUCTIONS CAREFULLY

- Check the pack and make sure you have all the parts listed.
- When you are ready to start, make sure you have the right tools at hand (not supplied) including a Phillips screwdriver, Stanley knife, Wood saw, Step ladder, Hammer and a Drill with 2mm bit.
- Ensure there is plenty of space and a clean dry area for assembly.

LOCATION FOR YOUR GARDEN BUILDING

A minimum of 60cm should be left around the perimeter of your garden building to allow access for maintenance, annual treatment and to allow air flow around the building.

Where possible you should avoid placing your garden building underneath large trees to prevent the tree causing damage to the building.

TIMBER

As with all natural materials, timber can be affected during various weather conditions. For the duration of heavy or extended periods of rain, swelling of the wood panels may occur. Warping of the wood may also occur during excessive dry spells due to an interior moisture loss. Unfortunately, these processes cannot be avoided but can be helped. It is suggested that the outdoor building is sprayed with water during extended periods of warm sunshine and sheltered as much as possible during rain or snow.

Once your garden building has been installed it will need to be treated as soon as possible and annually to prevent the timber from deteriorating and to waterproof it. This is required to maintain the anti-rot guarantee.

Dip Treated buildings - Require a preservative treatment to protect against rot and decay and a waterproof treatment to prevent water ingress

Pressure Treated buildings - Require a waterproof treatment to prevent water ingress

Log Cabins - Are supplied untreated and require a preservative and waterproofing treatment.

BUILDING A BASE

When thinking about where the building and base is going to be constructed: Ensure that there will be access to all sides for maintenance work and annual treatment.

Ensure the base is level and is built on firm ground, to prevent distortion. Refer to diagrams for the base dimensions, The base should be slightly smaller than the external measurement of the building, i.e. The cladding should overlap the base, creating a run off for water. It is also recommended that the floor be at least 25mm above the surrounding ground level to avoid flooding.

TYPES OF BASE

- Concrete 75mm laid on top of 75mm hard-core.
- Slabs laid on 50mm of sharp sand.

Whilst all products manufactured are made to the highest standards of Safety and in the case of childrens products independently tested to EN71 level, we cannot accept responsibility for your safety whilst erecting or using this product.



x2

All buildings should be erected by two adults



Winter = High Moisture = Expansion
Summer = Low Moisture = Contraction



2mm Drill bit

For ease of assembly, you **MUST** pilot drill all screw holes and ensure all screw heads are countersunk.



CAUTION

Every effort has been made during the manufacturing process to eliminate the prospect of splinters on rough surfaces of the timber. You are strongly advised to wear gloves when working with or handling rough sawn timber.



For ease of assembly, you will need a tape measure to check dimensions of components.

Screws & Nails



Measure overall length

Bolts



Measure under the head

To identify the fixings required for each step use a measuring tape.

****Protim Aquatan T5 (621)****

Your building has been dip treated with **Aquatan**.

Aquatan is a water-based concentrate which is diluted with water, the building has been treated by the correct application of Aquatan solution and then allowed to dry.

Aquatan is a decorative finish to colour the wood, which is applied industrially to timber fence panels and garden buildings.

Aquatan undiluted contains: boric acid, sodium hydroxide 32% solution, aqueous mixture of sodium dioctyl sulphosuccinat and alcohols: 2, 4, 6-trichlorophenol.



REGISTER FOR YOUR
ANTI-ROT
GUARANTEE TODAY

PLEASE SCAN HERE:



For assistance please contact customer care on: 01636 821215

Mercia Garden Products Limited,

Sutton On Trent,

Newark,

Nottinghamshire,

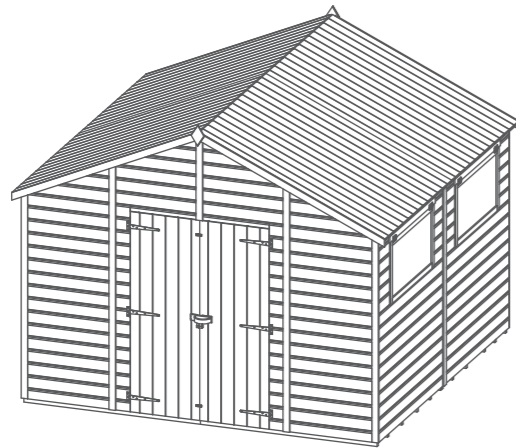
NG23 6QN

www.merciagardenproducts.co.uk


mercia
GARDEN PRODUCTS
LTD

The building you have purchased can be built in two ways as an Apex or a Reverse Apex. Within this document there are separate instructions to show how to install each style please refer to the corresponding pages for the style you have chosen.

Apex Page 6 - 16

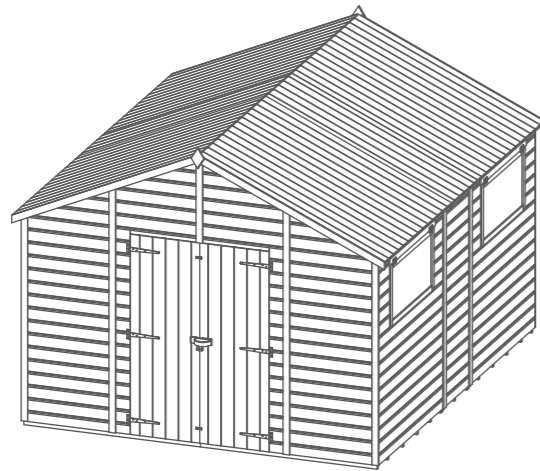


10X10 Apex

Overall Dimensions:
 Width = 3229mm
 Depth = 3028mm
 Height = 2504mm

Base Dimensions:
 Width = 3064mm
 Depth = 2976mm

Pack Requirement:
 01DTPRMSHAX1010DDOP-V1 - QTY 1

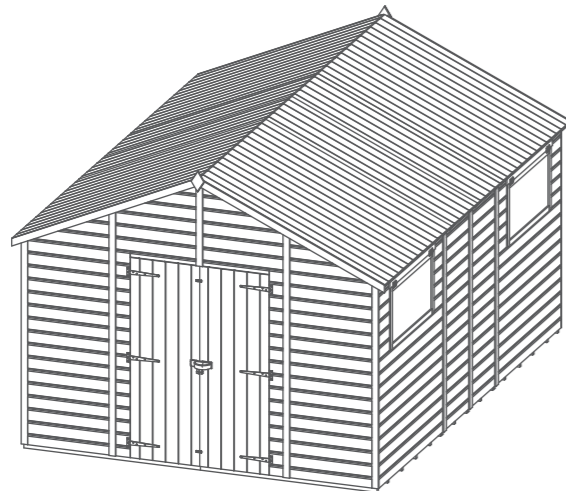


12X10 Apex

Overall Dimensions:
 Width = 3229mm
 Depth = 3678mm
 Height = 2504mm

Base Dimensions:
 Width = 3064mm
 Depth = 3572mm

Pack Requirement:
 01DTPRMSHAX1010DDOP-V1 - QTY 1
 01DTPRMSHAX0210NWPB-V1 - QTY 1

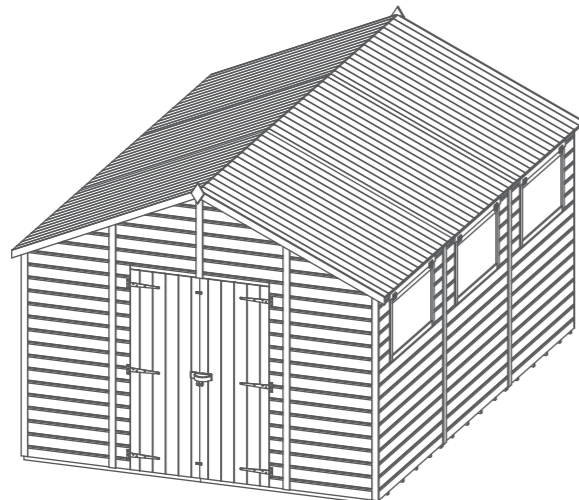


14X10 Apex

Overall Dimensions:
 Width = 3229mm
 Depth = 4274mm
 Height = 2504mm

Base Dimensions:
 Width = 3064mm
 Depth = 4168mm

Pack Requirement:
 01DTPRMSHAX1010DDOP-V1 - QTY 1
 01DTPRMSHAX0210NWPB-V1 - QTY 2

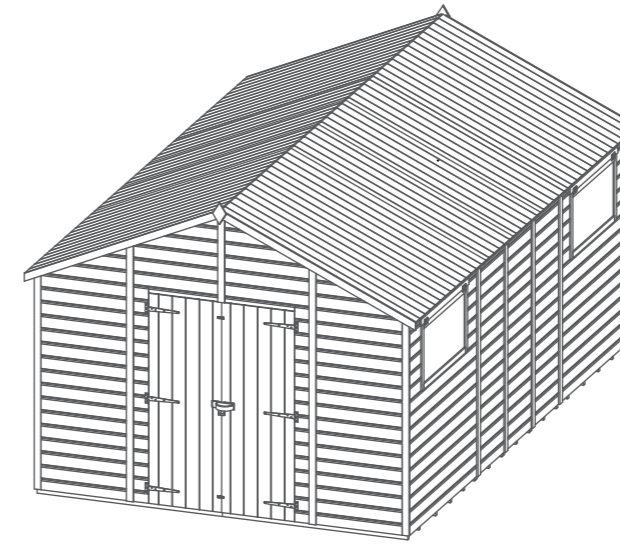


15X10 Apex

Overall Dimensions:
 Width = 3229mm
 Depth = 4572mm
 Height = 2504mm

Base Dimensions:
 Width = 3064mm
 Depth = 4466mm

Pack Requirement:
 01DTPRMSHAX1010DDOP-V1 - QTY 1
 01DTPRMSHAX0510OPPB-V1 - QTY 1

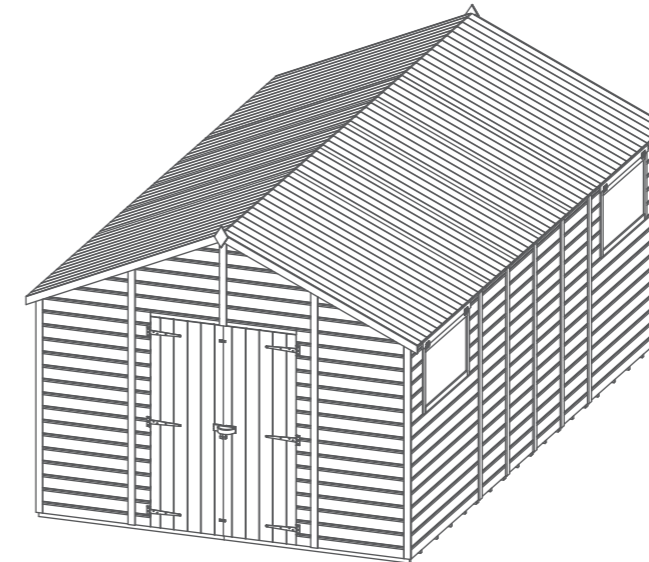


16X10 Apex

Overall Dimensions:
 Width = 3229mm
 Depth = 4870mm
 Height = 2504mm

Base Dimensions:
 Width = 3064mm
 Depth = 4764mm

Pack Requirement:
 01DTPRMSHAX1010DDOP-V1 - QTY 1
 01DTPRMSHAX0210NWPB-V1 - QTY 3

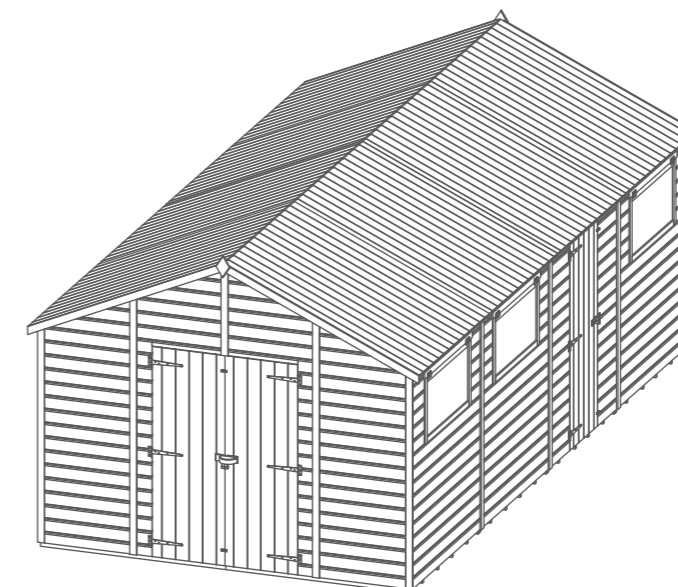


18X10 Apex

Overall Dimensions:
 Width = 3229mm
 Depth = 5466mm
 Height = 2504mm

Base Dimensions:
 Width = 3064mm
 Depth = 5360mm

Pack Requirement:
 01DTPRMSHAX1010DDOP-V1 - QTY 1
 01DTPRMSHAX0210NWPB-V1 - QTY 4



20X10 Apex

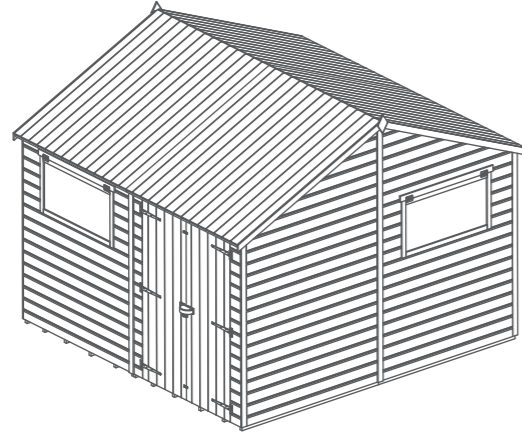
Overall Dimensions:
 Width = 3229mm
 Depth = 6062mm
 Height = 2504mm

Base Dimensions:
 Width = 3064mm
 Depth = 5956mm

Pack Requirement:
 01DTPRMSHAX1010DDOP-V1 - QTY 1
 01DTPRMSHAX0510OPPB-V1 - QTY 1
 01DTPRMSHAX0510SDPB-V1 - QTY 1

The building you have purchased can be built in two ways as an Apex or a Reverse Apex. Within this document there are separate instructions to show how to install each style please refer to the corresponding pages for the style you have chosen.

Reverse Apex Page 17 - 27

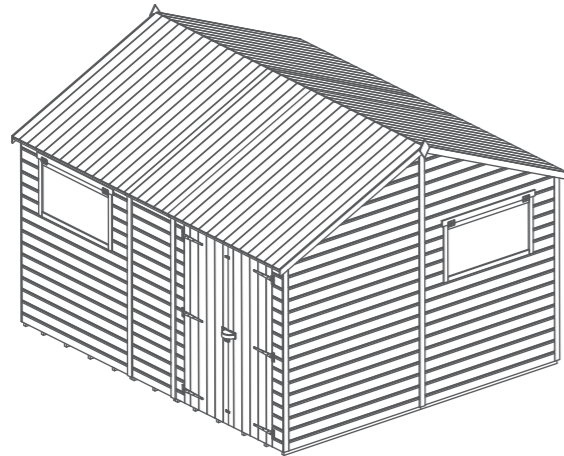


10X10 Reverse Apex

Overall Dimensions: Width = 3229mm
Depth = 3028mm
Height = 2504mm

Base Dimensions: Width = 3064mm
Depth = 2976mm

Pack Requirement:
01DTPRMSHAX1010DDOP-V1 - QTY 1

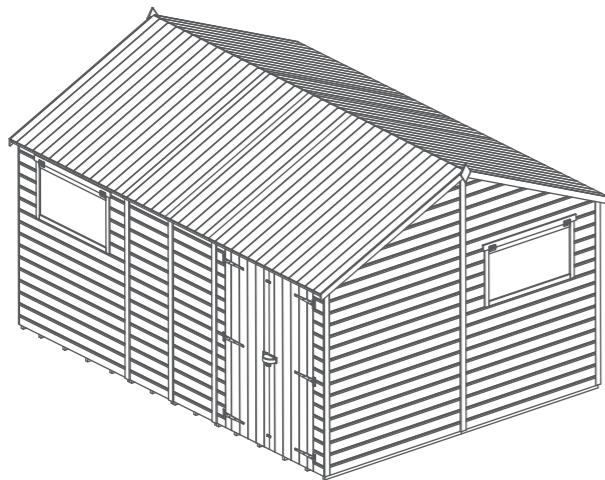


12X10 Reverse Apex

Overall Dimensions: Width = 3229mm
Depth = 3678mm
Height = 2504mm

Base Dimensions: Width = 3064mm
Depth = 3572mm

Pack Requirement:
01DTPRMSHAX1010DDOP-V1 - QTY 1
01DTPRMSHAX0210NWPB-V1 - QTY 1

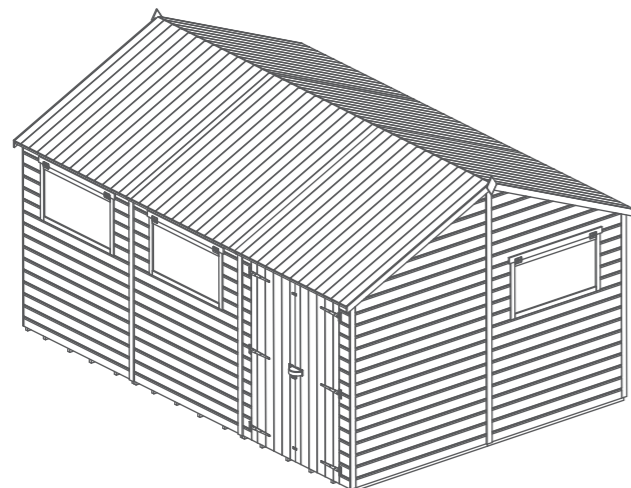


14X10 Reverse Apex

Overall Dimensions: Width = 3229mm
Depth = 4274mm
Height = 2504mm

Base Dimensions: Width = 3064mm
Depth = 4168mm

Pack Requirement:
01DTPRMSHAX1010DDOP-V1 - QTY 1
01DTPRMSHAX0210NWPB-V1 - QTY 2

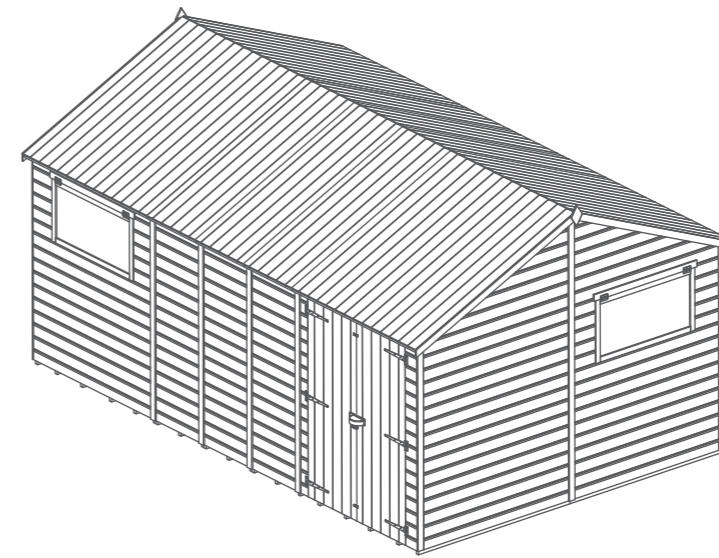


15X10 Reverse Apex

Overall Dimensions: Width = 3229mm
Depth = 4572mm
Height = 2504mm

Base Dimensions: Width = 3064mm
Depth = 4466mm

Pack Requirement:
01DTPRMSHAX1010DDOP-V1 - QTY 1
01DTPRMSHAX0510OPPB-V1 - QTY 1

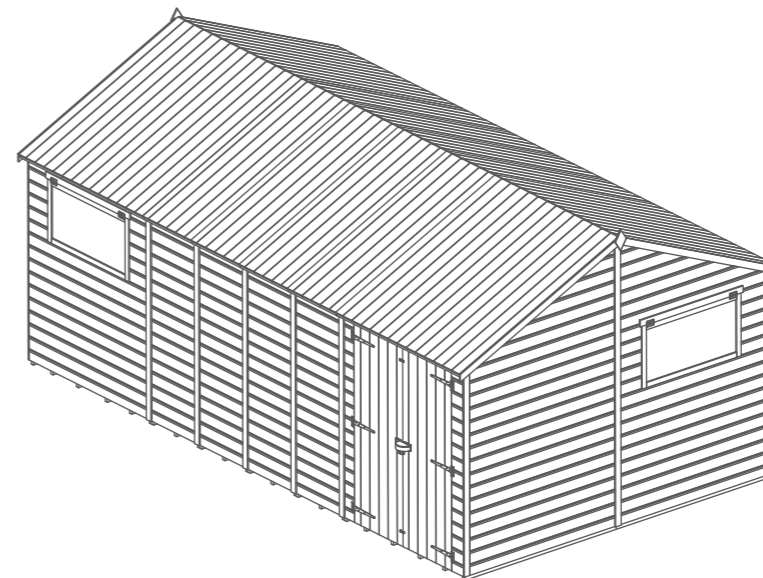


16X10 Reverse Apex

Overall Dimensions: Width = 3229mm
Depth = 4870mm
Height = 2504mm

Base Dimensions: Width = 3064mm
Depth = 4764mm

Pack Requirement:
01DTPRMSHAX1010DDOP-V1 - QTY 1
01DTPRMSHAX0210NWPB-V1 - QTY 3

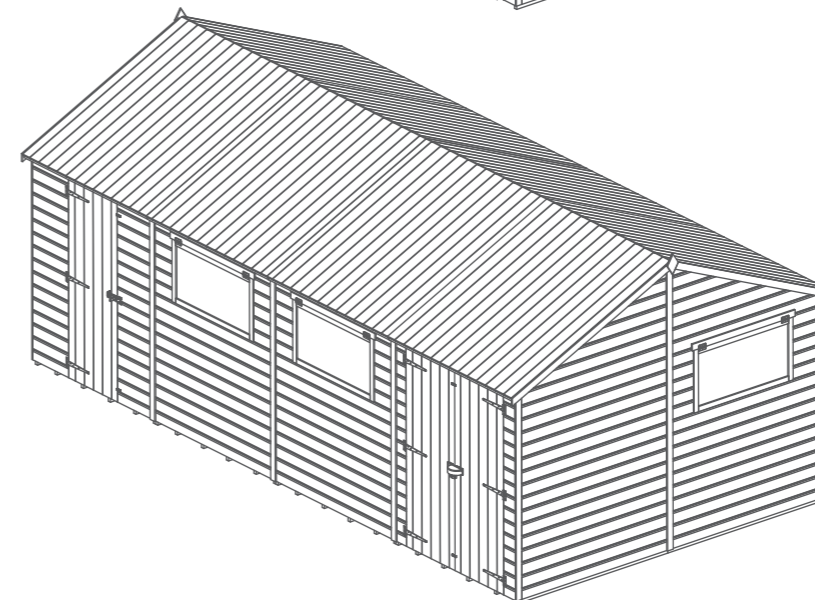


18X10 Reverse Apex

Overall Dimensions: Width = 3229mm
Depth = 5466mm
Height = 2504mm

Base Dimensions: Width = 3064mm
Depth = 5360mm

Pack Requirement:
01DTPRMSHAX1010DDOP-V1 - QTY 1
01DTPRMSHAX0210NWPB-V1 - QTY 4



20X10 Reverse Apex

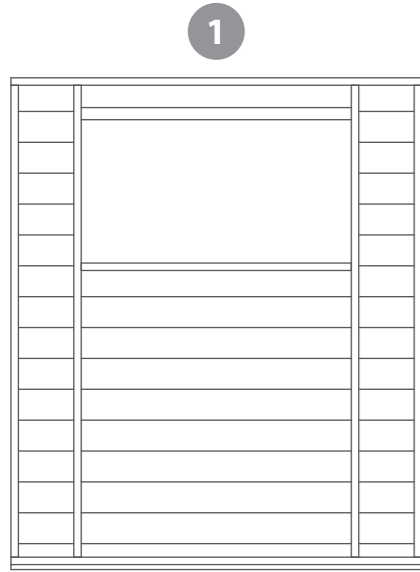
Overall Dimensions: Width = 3229mm
Depth = 6062mm
Height = 2504mm

Base Dimensions: Width = 3064mm
Depth = 5956mm

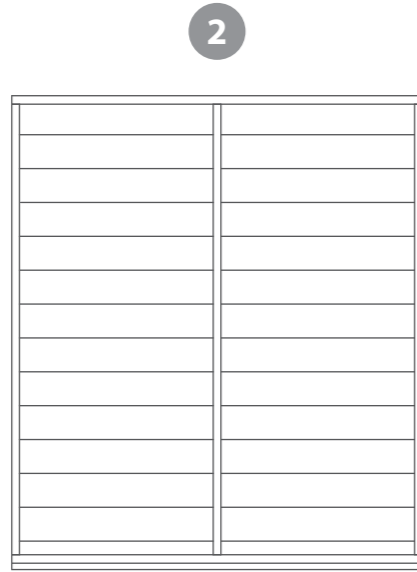
Pack Requirement:
01DTPRMSHAX1010DDOP-V1 - QTY 1
01DTPRMSHAX0510OPPB-V1 - QTY 1
01DTPRMSHAX0510SDPB-V1 - QTY 1

Building content - Pack A

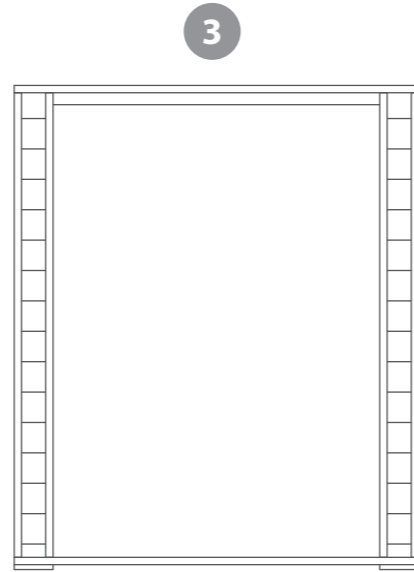
01DTPRMSHAX1010DDOP-V1



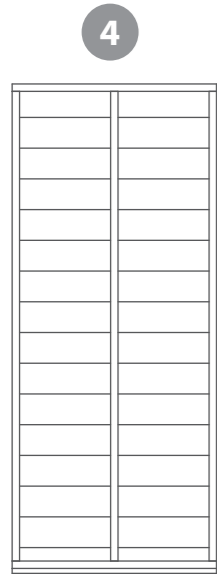
Window Side Panel
AI-01S21SH1LFW1490X1784-V1
QTY 2



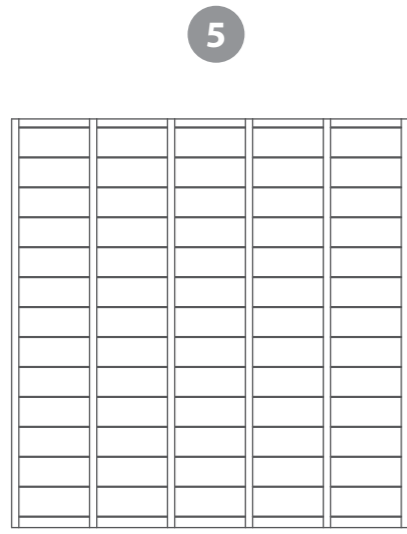
Plain Panel
AI-S21SHPPTF1490X1784-V1
QTY 4



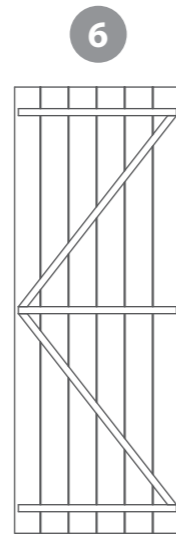
Double Door Panel
AI-01S21SHDD1490X1784-V1
QTY 1



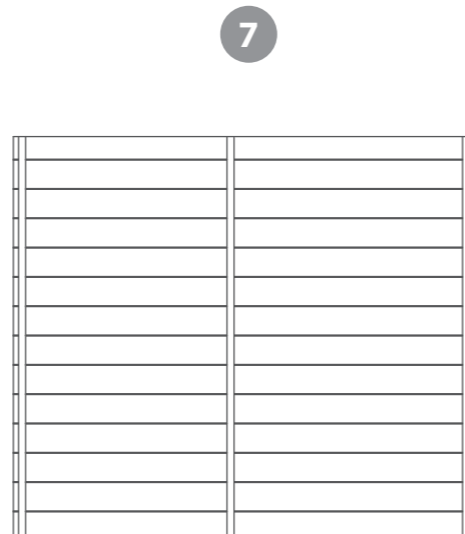
Small Plain Panel
AI-S21SHPPTF745X1784-V1
QTY 2



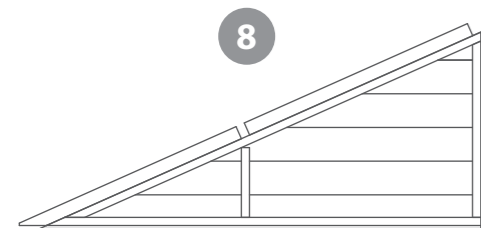
Floor
AI-S21MBF1529X1485-V2
QTY 4



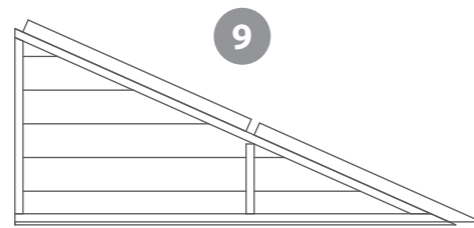
Door
AI-S21FBMBZBD600X1720-V1
QTY 2



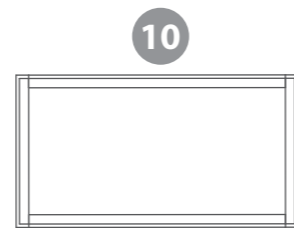
Roof Panel
AI-S21MBOHAR1529X1760-V1
QTY 4



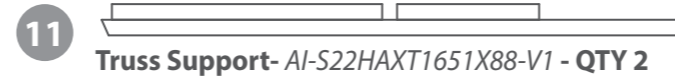
Right Gable
AI-S21SHHAGTR1534X680-V1
QTY 2



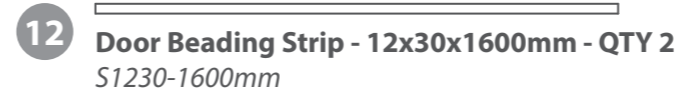
Left Gable
AI-S21SHHAGTL1534X680-V1
QTY 2



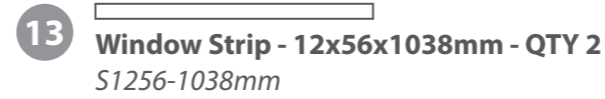
Window
AI-FW1000X540-V1
QTY 2



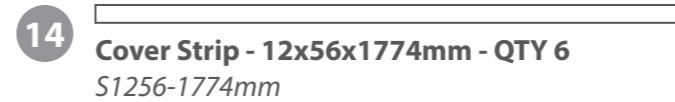
Truss Support - AI-S22HAXT1651X88-V1 - QTY 2



Door Beading Strip - 12x30x1600mm - QTY 2
S1230-1600mm



Window Strip - 12x56x1038mm - QTY 2
S1256-1038mm



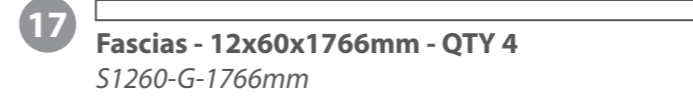
Cover Strip - 12x56x1774mm - QTY 6
S1256-1774mm



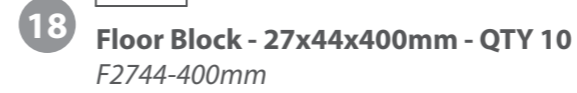
Cover Strip - 12x56x2090mm - QTY 4
S1256-2090mm



Cover Strip - 12x56x325mm - QTY 2
S1256-325mm



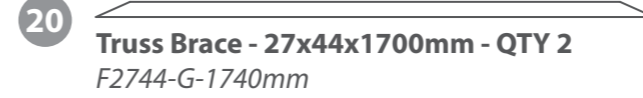
Fascias - 12x60x1766mm - QTY 4
S1260-G-1766mm



Floor Block - 27x44x400mm - QTY 10
F2744-400mm



Gable Support - 27x44x780mm - QTY 2
F2744-G-820mm



Truss Brace - 27x44x1700mm - QTY 2
F2744-G-1740mm



Door Block - 27x44x150mm - QTY 2
F2744-150mm



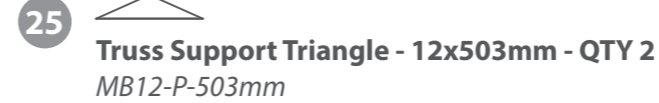
Door Cloaking Strip - 27x44x1658mm - QTY 1
F2744-1658mm



Truss Block - 44x44x140mm - QTY 2
F4444-G-160mm



Gable Point - 12x417mm - QTY 2
WBP-417mm



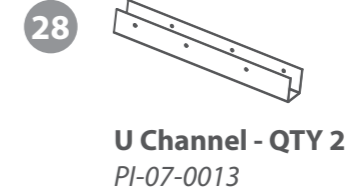
Truss Support Triangle - 12x503mm - QTY 2
MB12-P-503mm



Finial - QTY 2
Shed Diamond Finial



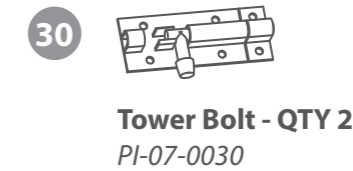
Casement stay - QTY 2
PI-07-0007



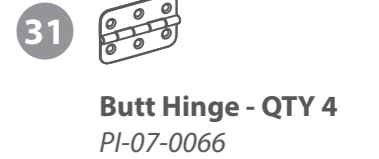
U Channel - QTY 2
PI-07-0013



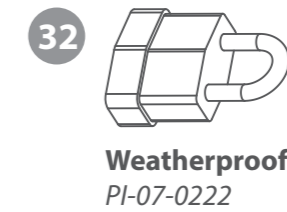
T Hinge - QTY 6
PI-07-0021



Tower Bolt - QTY 2
PI-07-0030



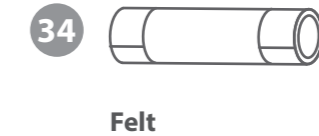
Butt Hinge - QTY 4
PI-07-0066



Weatherproof Lock - QTY 1
PI-07-0222



Hasp and Staple Lock
PI-07-0221



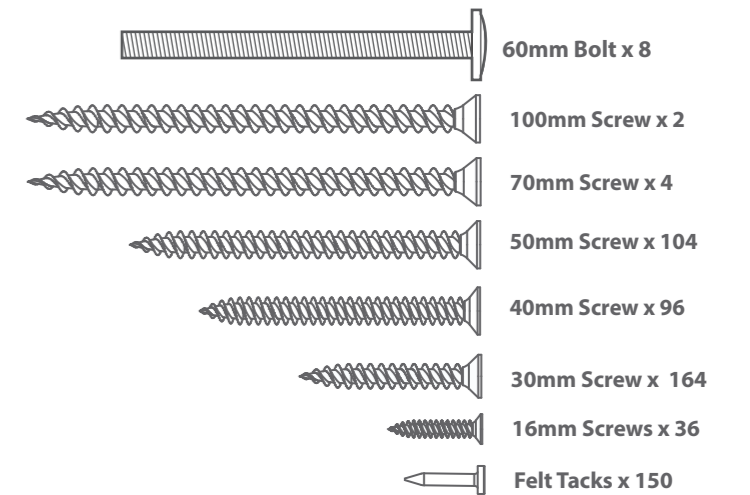
Felt



Turn Button - QTY 2
PI-07-0034

Nail Bag

There may be extra screws present in the nail bag



Building content - Pack B

01DTPRMSHAX0210NWPB-V1

36

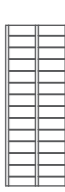


Plain Side Panel

AI-S21SHPPPTF596X1784-V1

QTY 2

37



2ft Floor

AI-S21MBF1529X596-V1

QTY 2

38



2ft Roof

AI-S21MBOHAR596X1760-V1

QTY 2

11



Truss Support - AI-S22HAXT1651X88-V1 - QTY 2

14



Cover Strip - 12x56x1774mm - QTY 2

S1256-1774mm

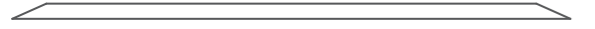
18



Floor Block - 27x44x400mm - QTY 2

F2744-400mm

20



Truss Brace - 27x44x1700mm - QTY 2

F2744-G-1740mm

23



Truss Block - 44x44x140mm - QTY 2

F4444-G-160mm

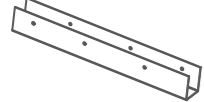
25



Truss Support Triangle - 12x503mm - QTY 2

MB12-P-503mm

28

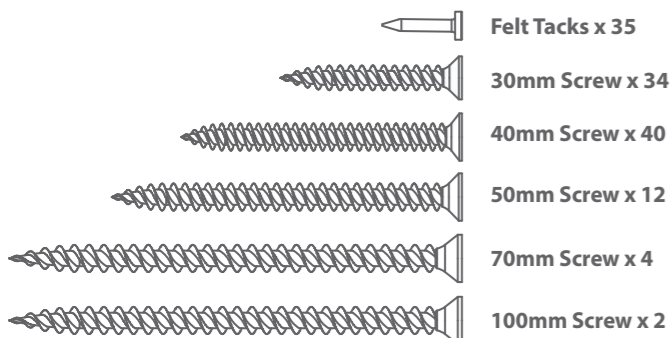


U Channel - QTY 2

PI-07-0013

Nail Bag

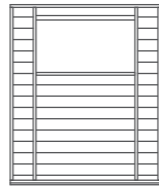
There may be extra screws present in the nail bag



Building content - Pack C

01DTPRMSHAX0510OPPB-V1

1

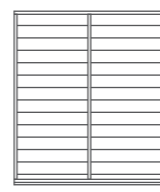


Window Side Panel

AI-01S21SH1LFW1490X1784-V1

QTY 1

2

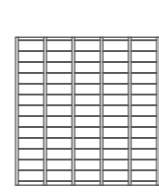


Plain Panel

AI-S21SHPPPTF1490X1784-V1

QTY 1

5



5ft Floor Panel

AI-S21MBF1529X1485-V2

QTY 2

10

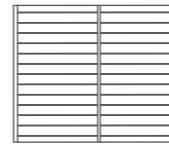


Window

AI-FW1000X540-V1

QTY 1

39



5ft Roof Panel

AI-S21MBOHAR1490X1760-V1

QTY 2

11



Truss Support - AI-S22HAXT1651X88-V1 - QTY 2

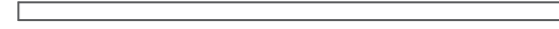
13



Window Strip - 12x56x1038mm - QTY 1

S1256-1038mm

14



Cover Strip - 12x56x1774mm - QTY 2

S1256-1774mm

18



Floor Block - 27x44x400mm - QTY 5

F2744-400mm

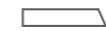
20



Truss Brace - 27x44x1700mm - QTY 2

F2744-G-1740mm

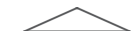
23



Truss Block - 44x44x140mm - QTY 2

F4444-G-160mm

25

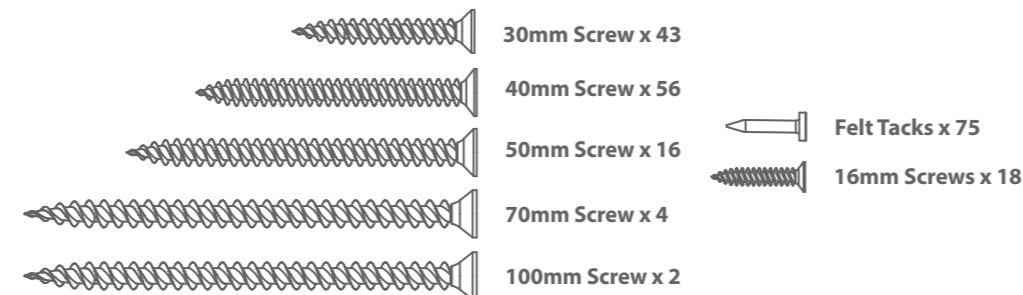


Truss Support Triangle - 12x503mm - QTY 2

MB12-P-503mm

Nail Bag

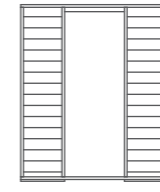
There may be extra screws present in the nail bag



Building content - Pack D

01DTPRMSHAX0510SDPB-V1

40



Single Door Panel

AI-01S21SHSD1490x1784-V1

QTY 1

2

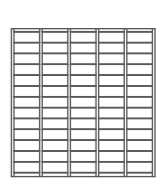


Plain Panel

AI-S21SHPPPTF1490X1784-V1

QTY 1

5



5ft Floor Panel

AI-S21MBF1529X1485-V2

QTY 2

6

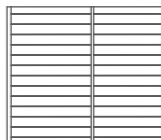


Door

AI-S21FBMBZBD600X1720-V1

QTY 2

39

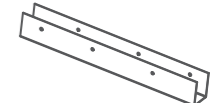


5ft Roof Panel

AI-S21MBOHAR1490X1760

QTY 2

28



U Channel - QTY 2

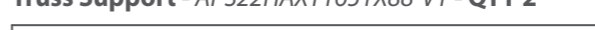
PI-07-0013

11



Truss Support - AI-S22HAXT1651X88-V1 - QTY 2

14



Cover Strip - 12x56x1774mm - QTY 2

S1256-1774mm

12



Door Beading Strip - 12x30x1600mm - QTY 2

S1230-1600mm

18



Floor Block - 27x44x400mm - QTY 5

F2744-400mm

20



Truss Brace - 27x44x1700mm - QTY 2

F2744-G-1740mm

21



Door Block - 27x44x150mm - QTY 1

F2744-150mm

23



Truss Block - 44x44x140mm - QTY 2

F4444-G-160mm

25

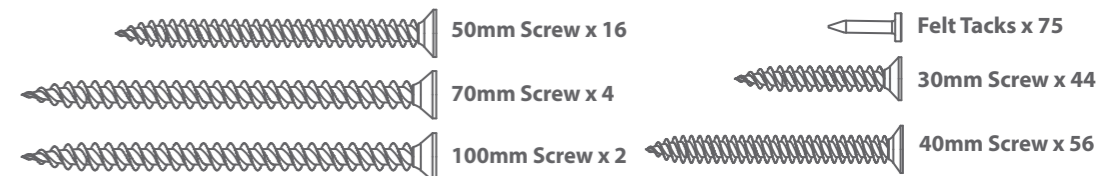


Truss Support Triangle - 12x503mm - QTY 2

MB12-P-503mm

Nail Bag

There may be extra screws present in the nail bag

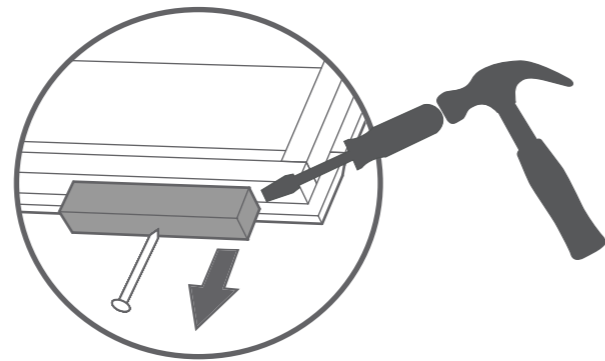


Apex Installation

Pre Assembly

Before assembling remove the transportation blocks from the bottom of each panel.

Take care removing the blocks as to not damage the panels. Tap with a flat headed screwdriver and hammer.



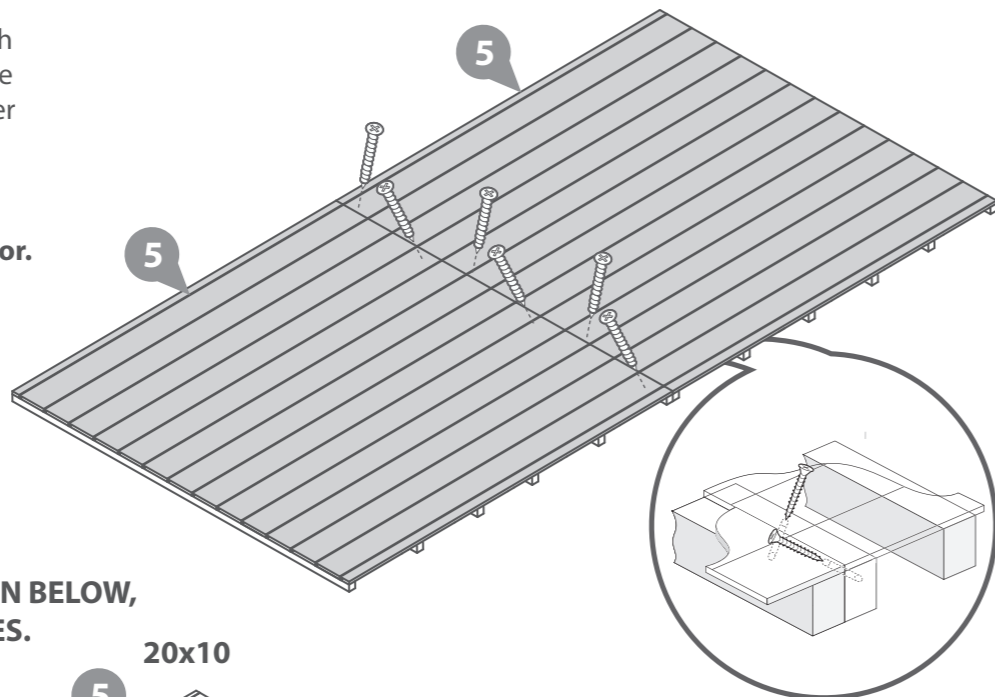
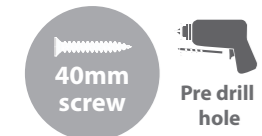
Dispose of the blocks once removed.

Step 1

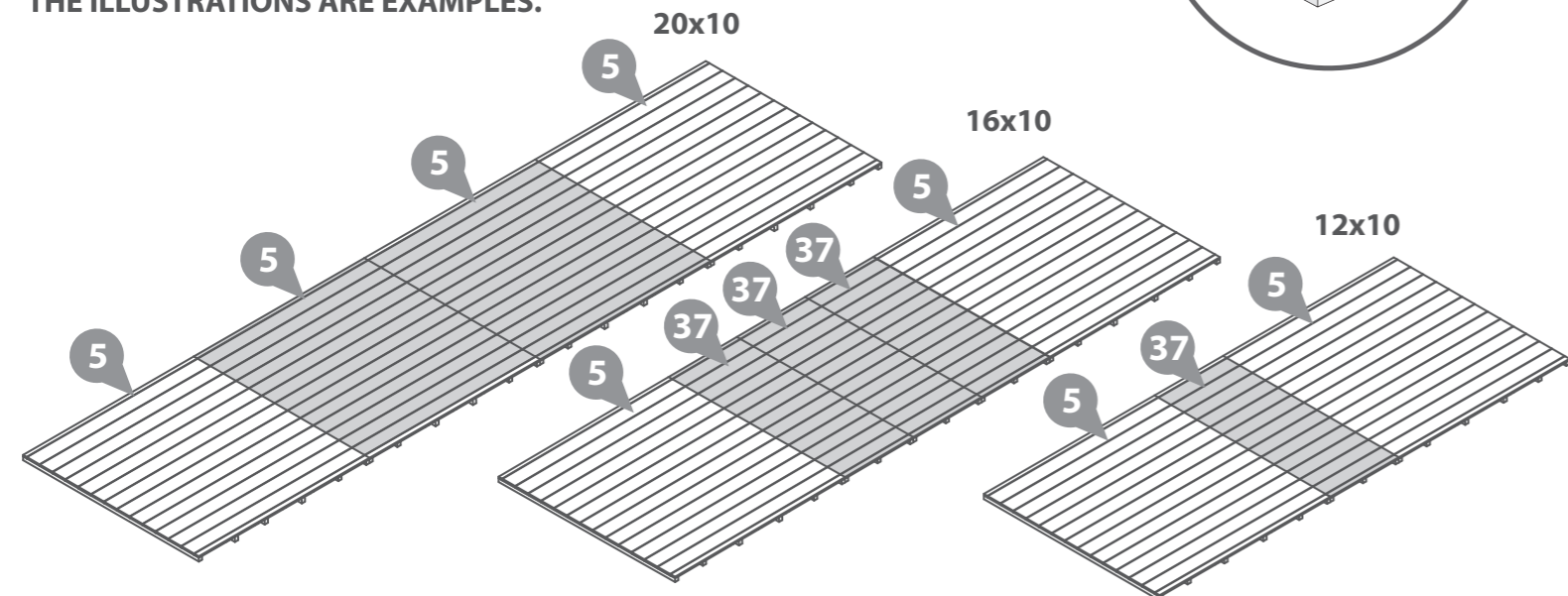
Parts needed	Building Size						
	10x10	12x10	14x10	15x10	16x10	18x10	20x10
No.5	QTY 2	QTY 2	QTY 2	QTY 3	QTY 2	QTY 2	QTY 4
No.37		QTY 1	QTY 2		QTY 3	QTY 4	
40mm Screw	QTY 12	QTY 24	QTY 36	QTY 24	QTY 48	QTY 60	QTY 36

Lay the floors (No.5, No.37) along side each other as shown in the diagram, with the framing down to the floor. Secure the floors together using 6x40mm screws per join. Ensure to go through the floor cladding and into the framing.

Repeat the Step to create a second floor.



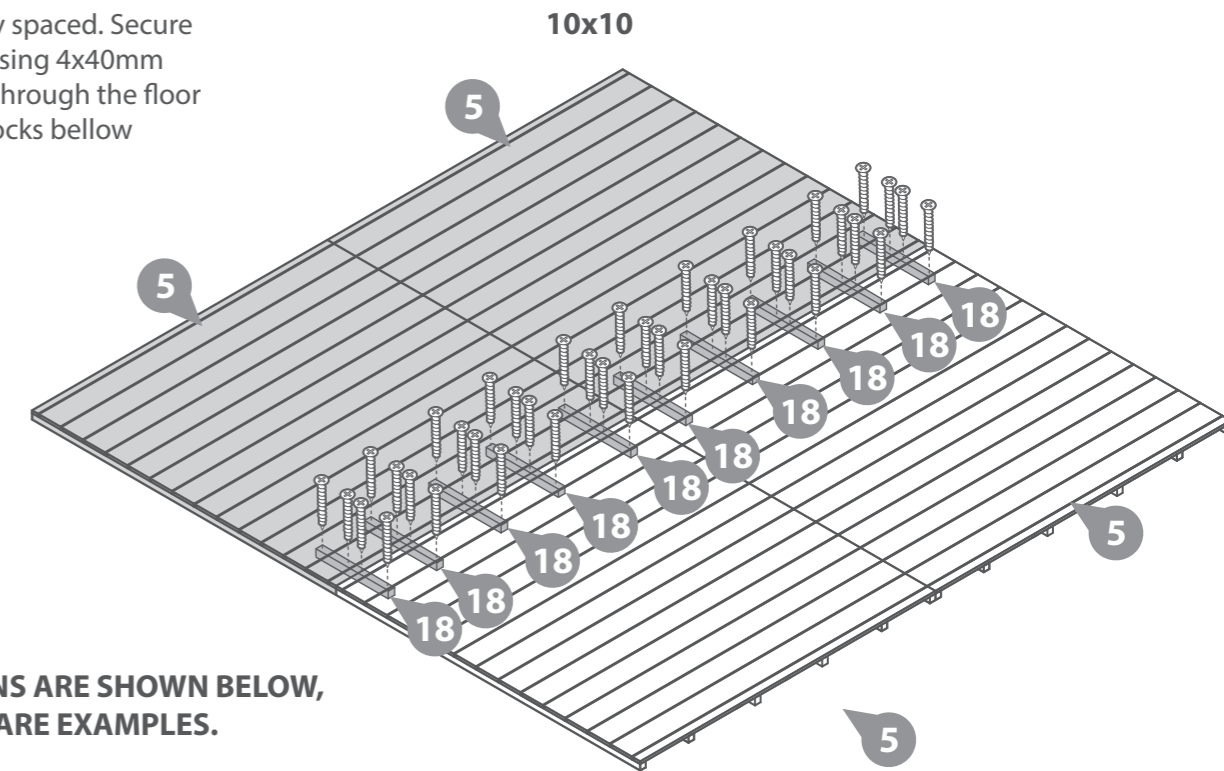
NOT ALL SIZE OPTIONS ARE SHOWN BELOW, THE ILLUSTRATIONS ARE EXAMPLES.



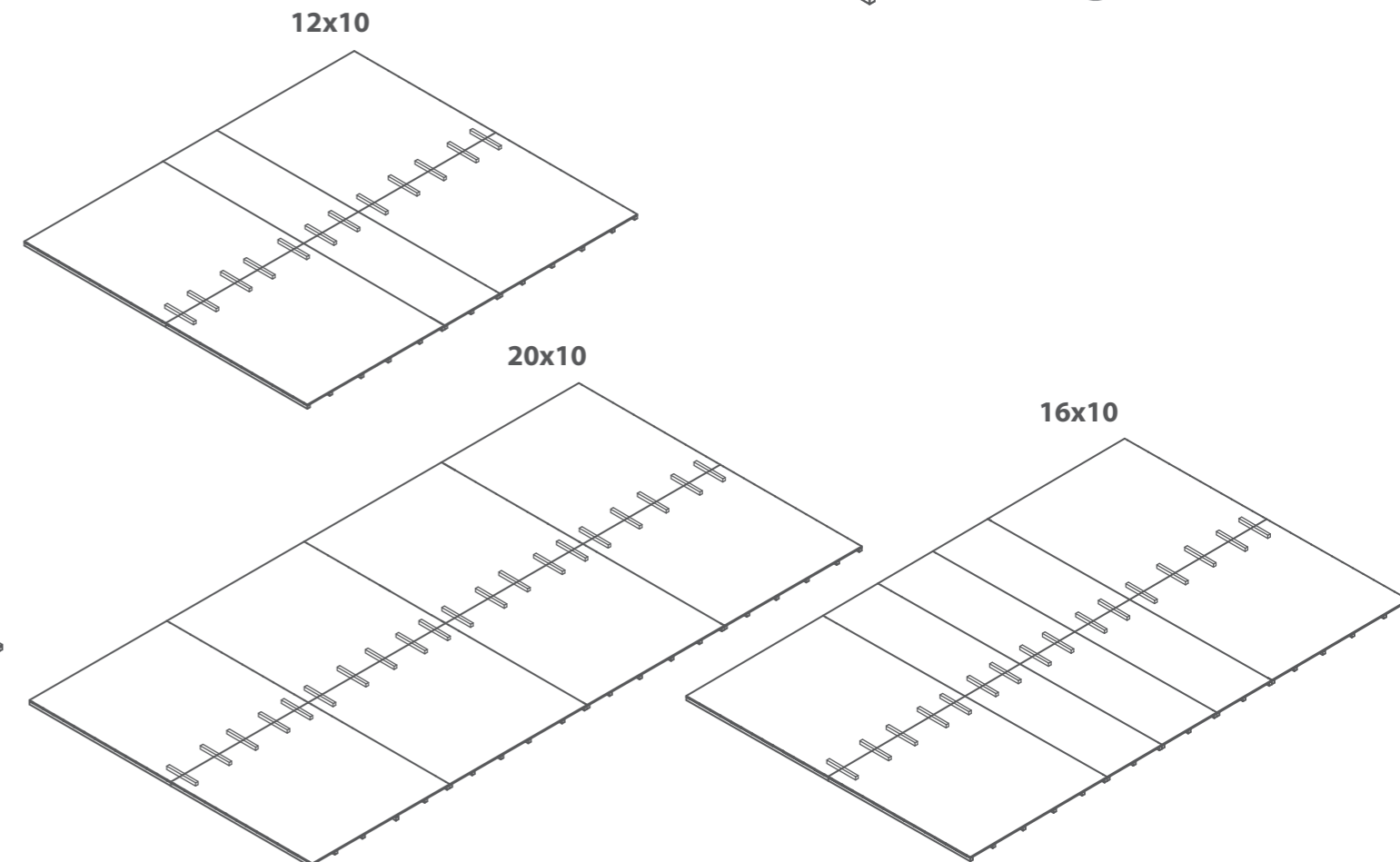
Step 2

Parts needed	Building Size						
	10x10	12x10	14x10	15x10	16x10	18x10	20x10
No.18	QTY 12	QTY 14	QTY 16	QTY 18	QTY 18	QTY 20	QTY 24
40mm Screw	QTY 48	QTY 56	QTY 64	QTY 72	QTY 72	QTY 80	QTY 96

Place the assembled floors along side each other as shown in the diagram, locate the Floor blocks (No.18) between the assembled floors, equally spaced. Secure the blocks to the floors using 4x40mm screws per block, going through the floor cladding and into the blocks below.



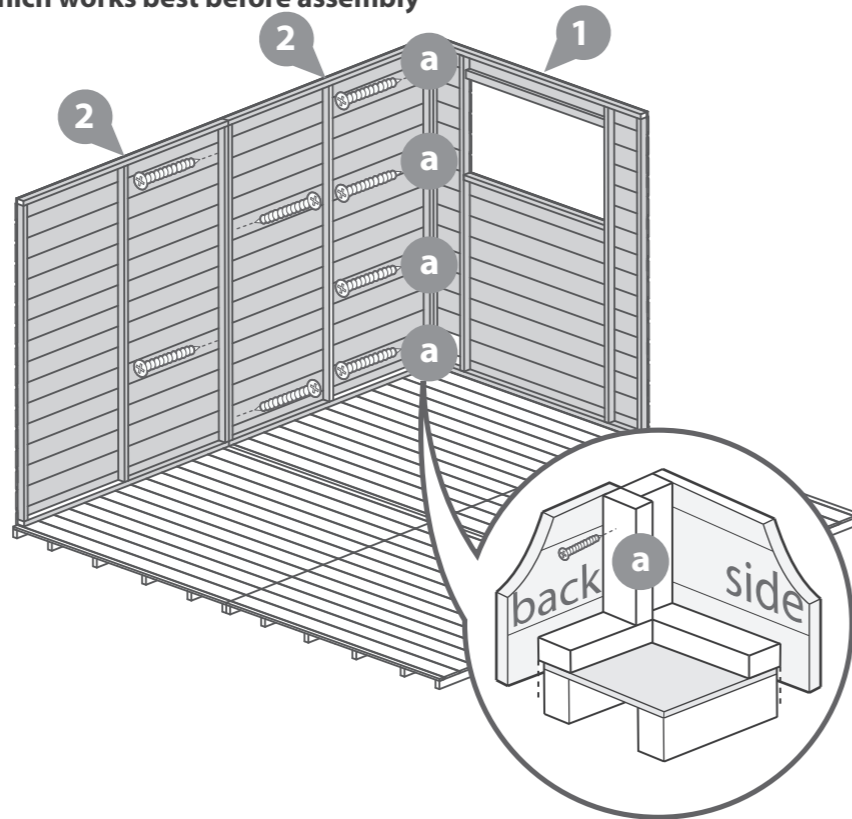
NOT ALL SIZE OPTIONS ARE SHOWN BELOW, THE ILLUSTRATIONS ARE EXAMPLES.



Step 3

Parts needed	Building Size
No.1	All Sizes
No.2	QTY 1
50mm Screw	QTY 8

****Please note: Panels No.1/ No.2/ No.3/ No.4/ No.36/ No.40 are interchangeable and can be positioned in a variety of configurations. Decide which works best before assembly****



Locate the Plain Panels (**No. 2**) onto the floor. Fix together using 4x50mm screws in an alternating pattern

Locate the Window Panel (**No. 1**) onto the floor. Fix to the plain panel at the corner with 4x50mm screws as shown in diagram.

Do not secure the building to the floor until the roof is fitted

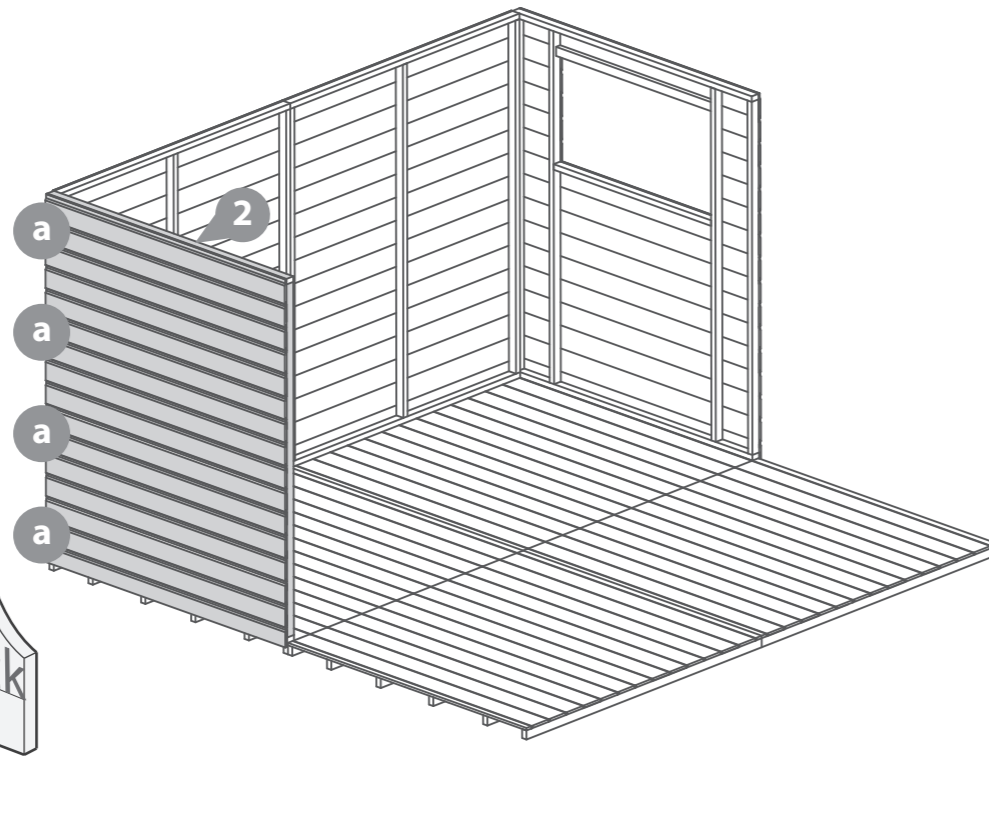
Position the panels so there is equal spacing between the floor and cladding on all sides



Step 4

Parts needed	Building Size
No.2	All Sizes
50mm Screw	QTY 1
	QTY 4

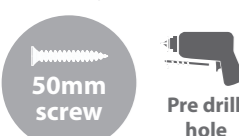
****Please note: Panels No.1/ No.2/ No.3/ No.4/ No.36/ No.40 are interchangeable and can be positioned in a variety of configurations. Decide which works best before assembly****



Locate the Plain Panel (**No.2**) onto the floor. Fix the corners of the assembled back plain Panels with 50mm screws as shown in diagram.

Do not secure the building to the floor until the roof is fitted

Position the panels so there is equal spacing between the floor and cladding on all sides



Step 5

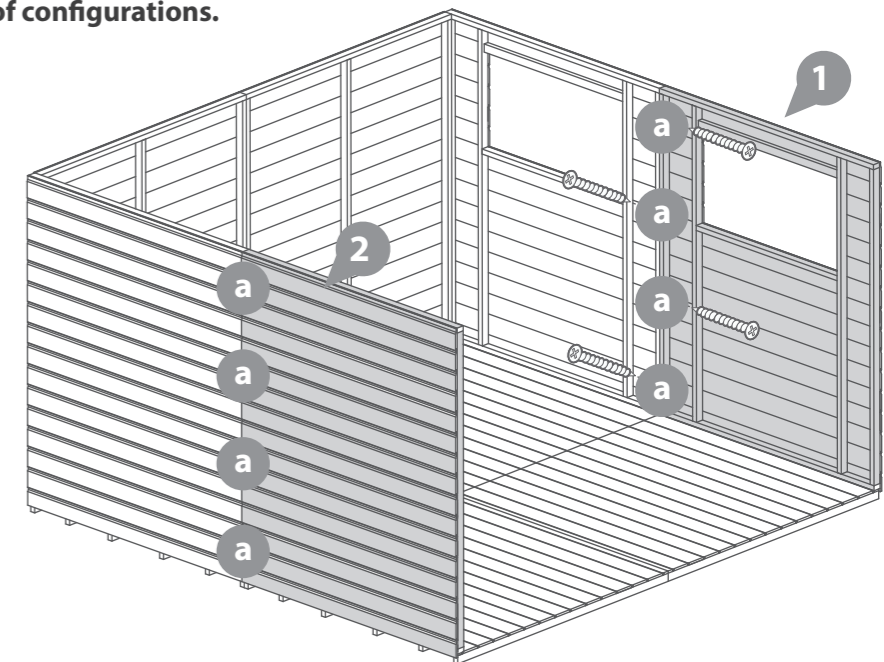
Parts needed	Building Size						
	10x10	12x10	14x10	15x10	16x10	18x10	20x10
No.1	QTY 1	QTY 1	QTY 1	QTY 2	QTY 1	QTY 1	QTY 2
No.2	QTY 1	QTY 1	QTY 1	QTY 2	QTY 1	QTY 1	QTY 3
No.36		QTY 2	QTY 4		QTY 6	QTY 8	
No.40							QTY 1
50mm Screw	QTY 8	QTY 16	QTY 24	QTY 16	QTY 32	QTY 40	QTY 24

****Please note: Panels No.1/ No.2/ No.3/ No.4/ No.36/ No.40 are interchangeable and can be positioned in a variety of configurations. Decide which works best before assembly****

Locate the Panels (**No.1/No.2/No.36/No.40**) onto the floor. Fix the Panels together with 4x50mm screws per join in an alternating pattern as shown in diagram.

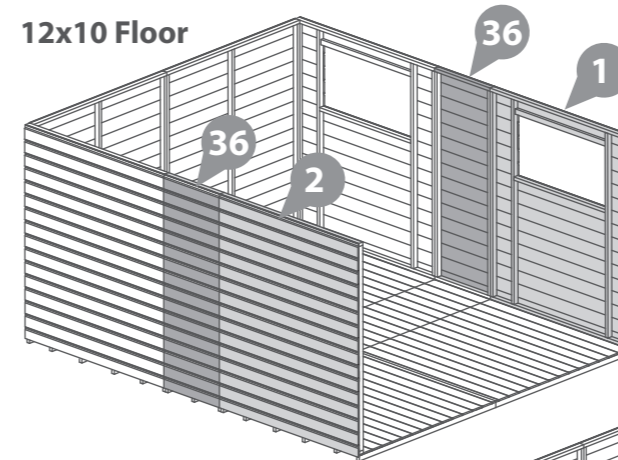
Do not secure the building to the floor until the roof is fitted

Position the panels so there is equal spacing between the floor and cladding on all sides

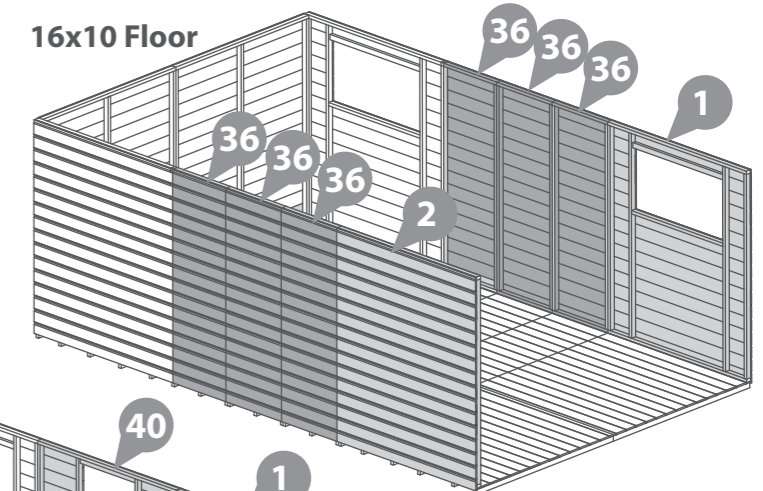


NOT ALL SIZE OPTIONS ARE SHOWN BELOW, THE ILLUSTRATIONS ARE EXAMPLES.

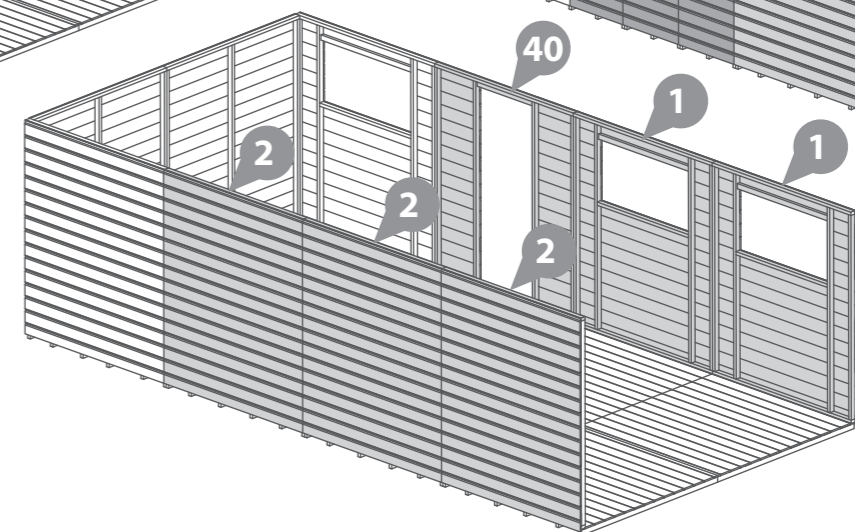
12x10 Floor



16x10 Floor



20x10 Floor



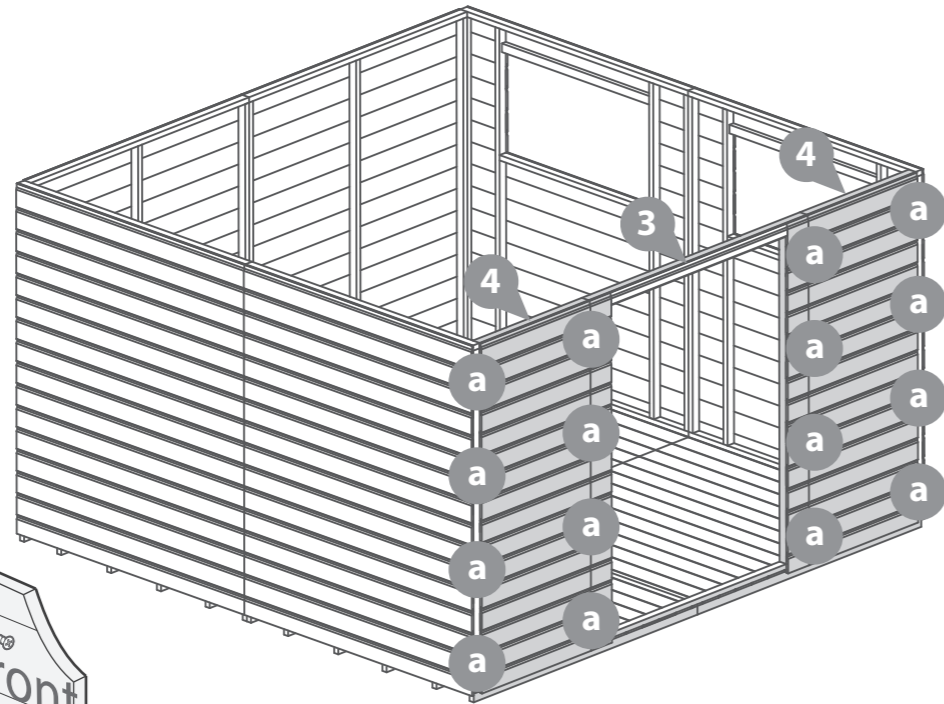
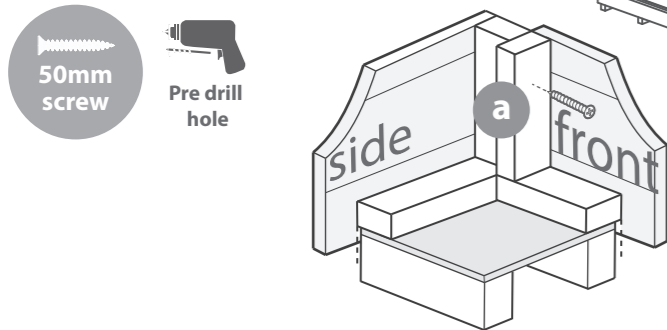
Step 6

Parts needed	Building Size
No.3	QTY 1
No.4	QTY 2
50mm Screw	QTY 16

Locate the Door Panel (**No.3**) and the Small Plain panels (**No.4**) onto the floor. Fix the Panels together at the corners using 4x50mm screws per Corner

Do not secure the building to the floor until the roof is fitted

Position the panels so there is equal spacing

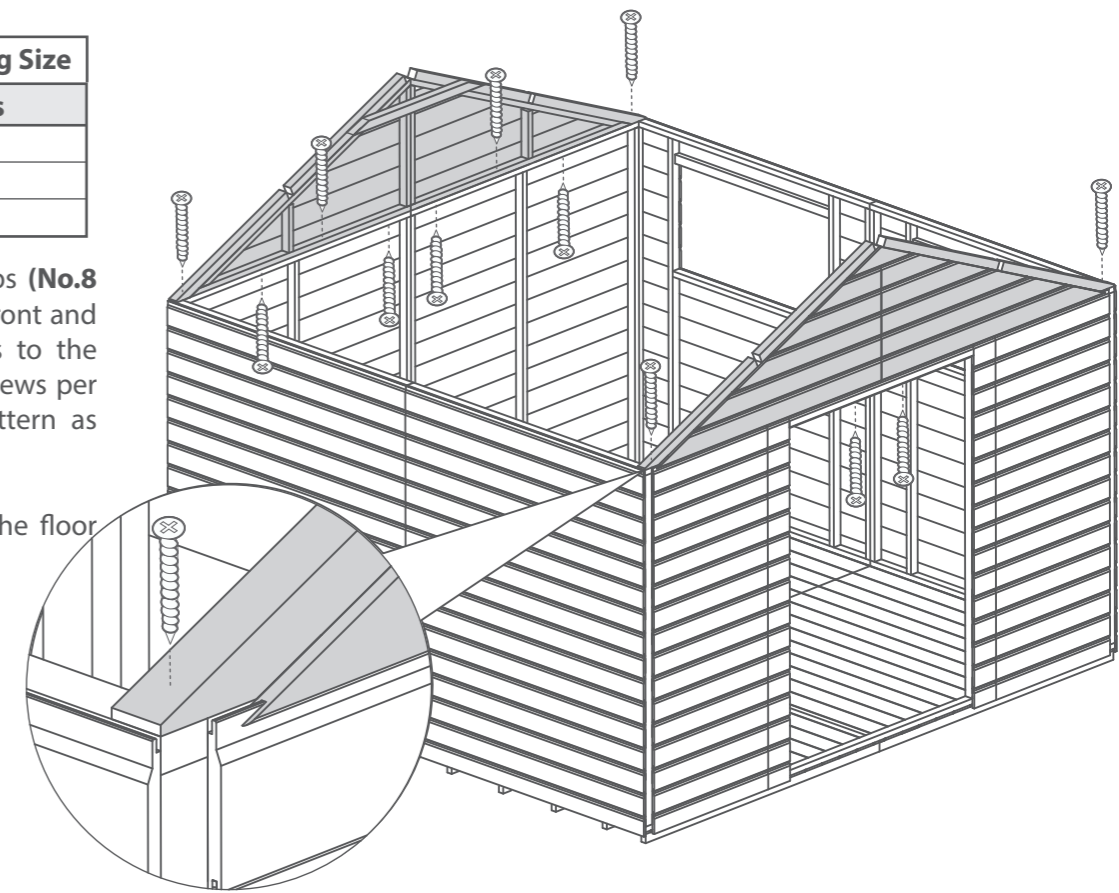


Step 8

Parts needed	Building Size
No.8	QTY 2
No.9	QTY 2
50mm Screw	QTY 16

Locate the Assembled Gable tops (**No.8** and **No.9**) onto the tops of the front and back panels. Fix the gable tops to the panels below using 8x50mm screws per Gable top in an alternating pattern as shown in the diagram

Do not secure the building to the floor until the roof is fitted



Step 7

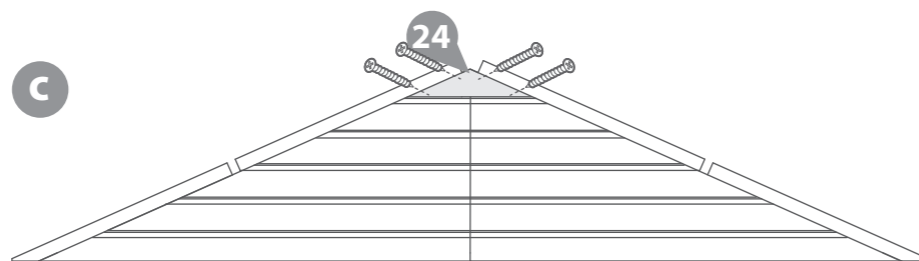
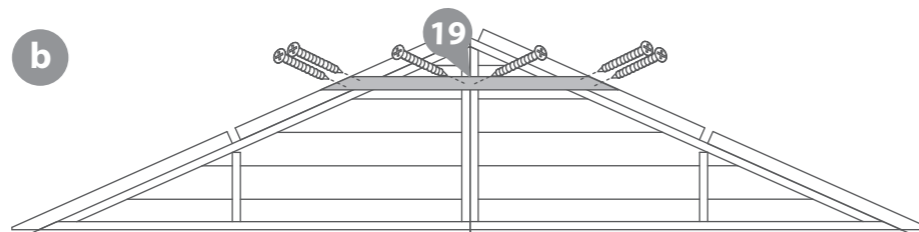
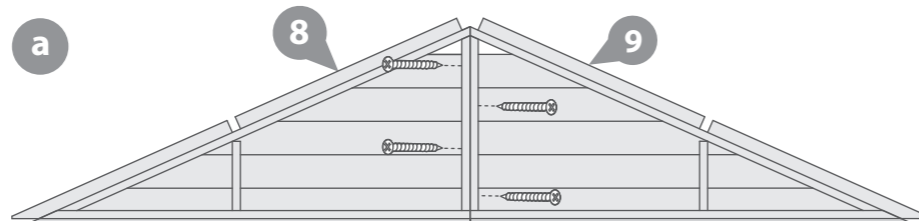
Parts needed	Building Size
No.8	QTY 2
No.9	QTY 2
No.19	QTY 2
No.24	QTY 2
30mm Screw	QTY 8
50mm Screw	QTY 20

a Lay the Gable tops (**No.8** and **No.9**) along side each other as show in the diagram, secure together using 4x50mm screws in an alternating pattern

b Secure the Gable support (**No.19**) to the gable tops, ensuring it sits flush with the framing, secure using 6x50mm screws going through the support and into the gable framing behind.

c Finally secure Gable Point (**No.24**) to the top of the gables, secure using 4x30mm screws going through the cladding and into the gable framing

Repeat Step to create two assembled gables



Step 9

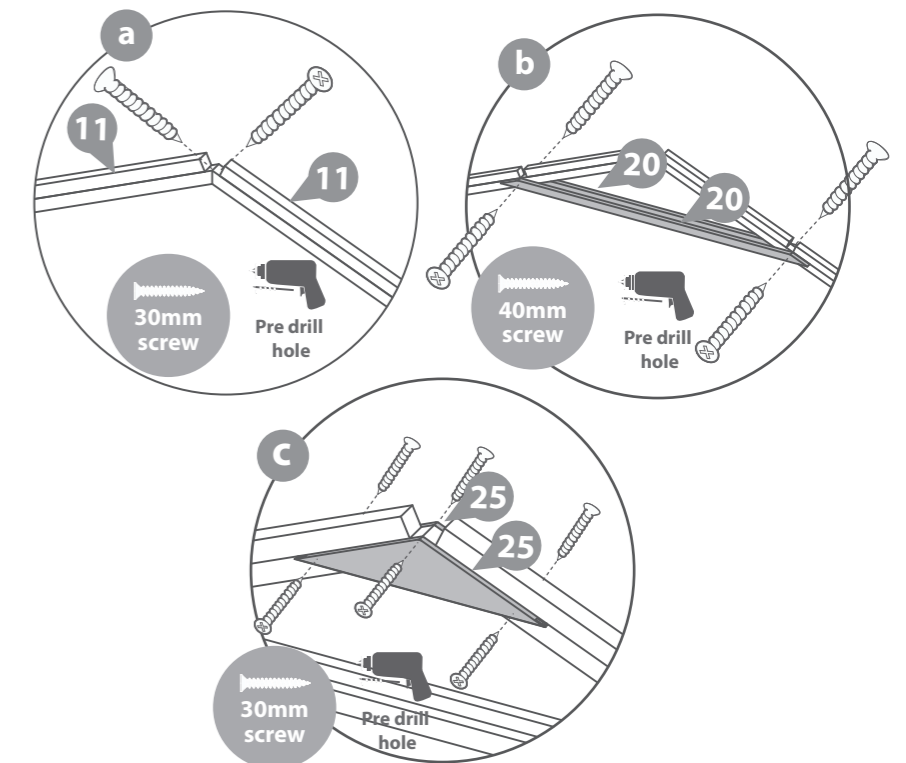
Parts needed	Building Size						
	10x10	12x10	14x10	15x10	16x10	18x10	20x10
No.11	QTY 2	QTY 4	QTY 6	QTY 4	QTY 8	QTY 10	QTY 6
No.20	QTY 2	QTY 4	QTY 6	QTY 4	QTY 8	QTY 10	QTY 6
No.25	QTY 2	QTY 4	QTY 6	QTY 4	QTY 8	QTY 10	QTY 6
30mm Screw	QTY 8	QTY 16	QTY 24	QTY 16	QTY 32	QTY 40	QTY 24
40mm Screw	QTY 4	QTY 8	QTY 12	QTY 8	QTY 16	QTY 20	QTY 12

a To construct the truss, secure the Truss supports (**No. 11**) together as shown with 2x30mm screws.

b Secure the Truss Brace (**No. 20**) to both sides of the Truss support making sure to stagger the 4x40mm screws.

c Finally secure the Truss support triangle (**No. 25**) to both sides with 3x30mm screws.

Repeat Step to create the remaining trusses required for each size



Step 10

Parts needed	Building Size						
	10x10	12x10	14x10	15x10	16x10	18x10	20x10
Assembled Truss	QTY 1	QTY 2	QTY 3	QTY 2	QTY 4	QTY 5	QTY 3
No.23	QTY 2	QTY 4	QTY 6	QTY 4	QTY 8	QTY 10	QTY 6
70mm Screw	QTY 4	QTY 8	QTY 12	QTY 8	QTY 16	QTY 20	QTY 12
100mm Screw	QTY 2	QTY 4	QTY 6	QTY 4	QTY 8	QTY 10	QTY 6

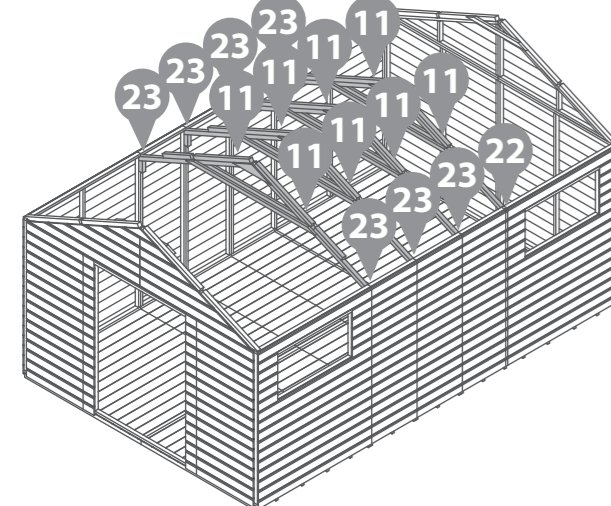
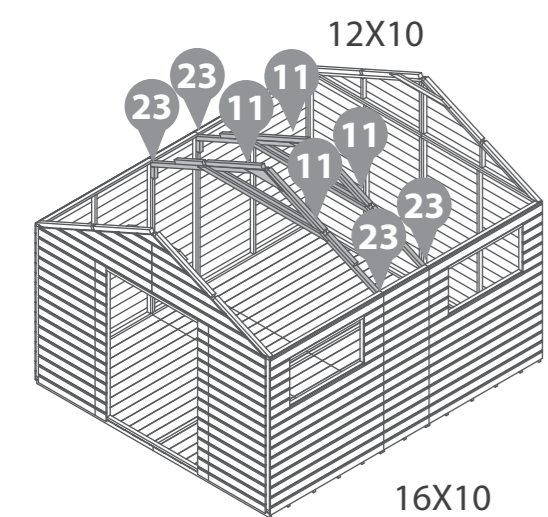
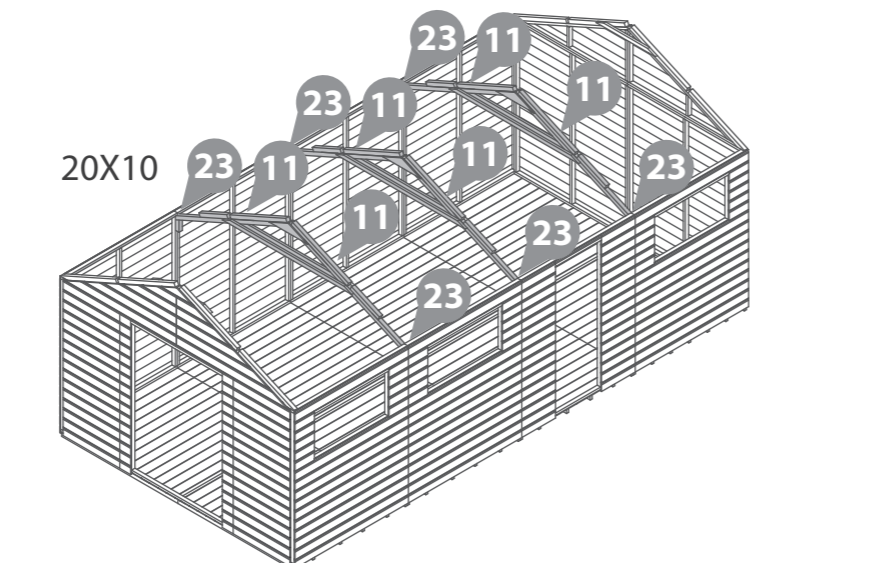
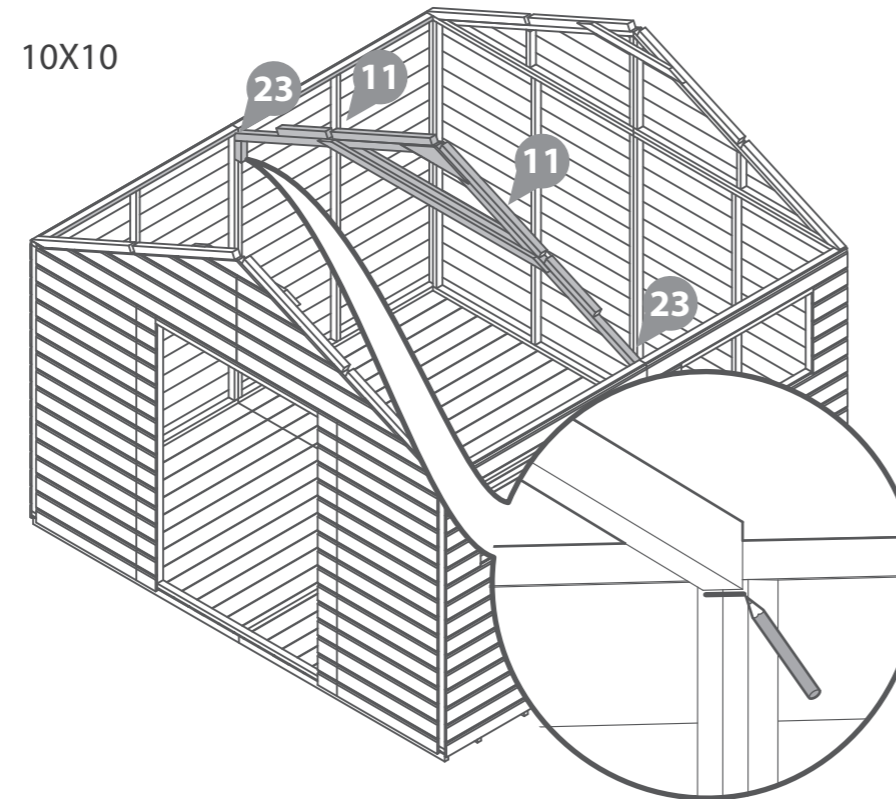
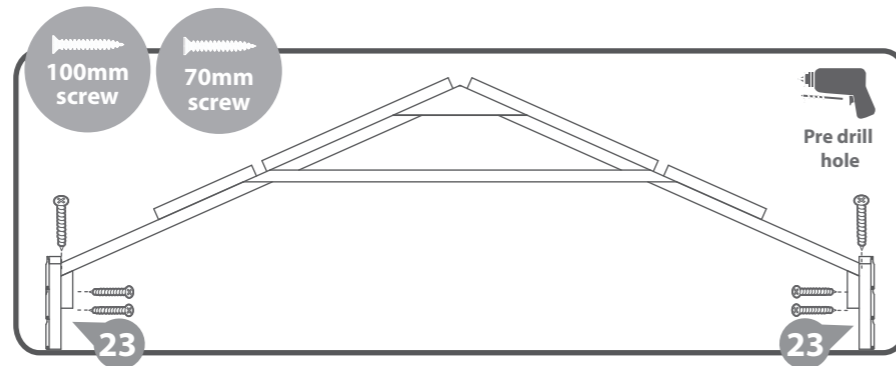
Place an assembled Truss central to where two panels join. Align the top of the truss one inch (25mm) below the top of the sides as shown in the diagram.

HINT - Use a piece from the fixing kit as a guide.

Pencil mark the truss position and remove truss.

Place the truss blocks (No. 23) up to the pencil mark and fix using 2x70mm screws per block.

Place the truss back into position on top of the support block and secure using 100mm screw each side from the top down through the truss and into the block.



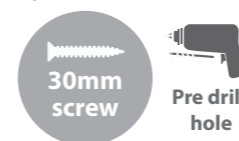
Step 11

Parts needed	Building Size						
	10x10	12x10	14x10	15x10	16x10	18x10	20x10
No.7	QTY 2	QTY 2	QTY 2	QTY 2	QTY 2	QTY 2	QTY 2
No.28	QTY 1	QTY 2	QTY 3	QTY 2	QTY 4	QTY 5	QTY 3
No.38		QTY 1	QTY 2		QTY 3	QTY 4	
No.39				QTY 1			QTY 2
30mm Screw	QTY 10	QTY 20	QTY 30	QTY 20	QTY 40	QTY 50	QTY 30

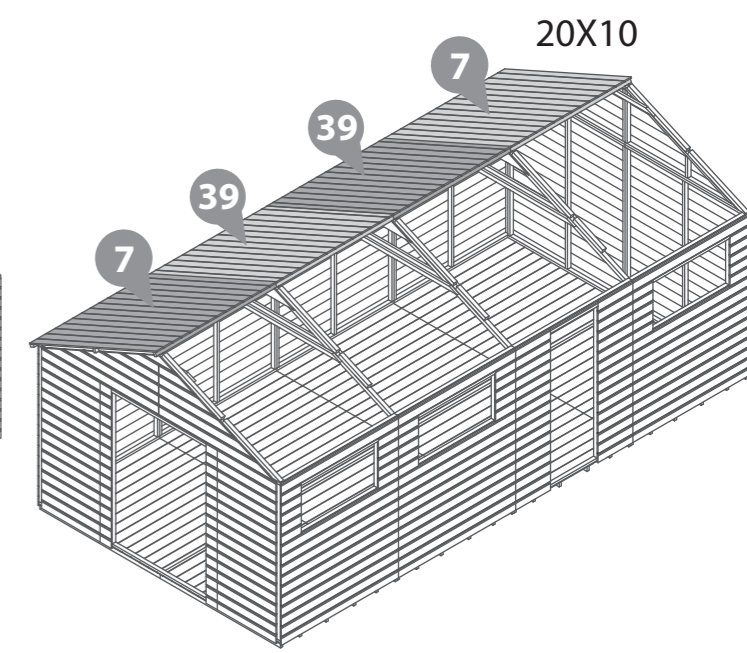
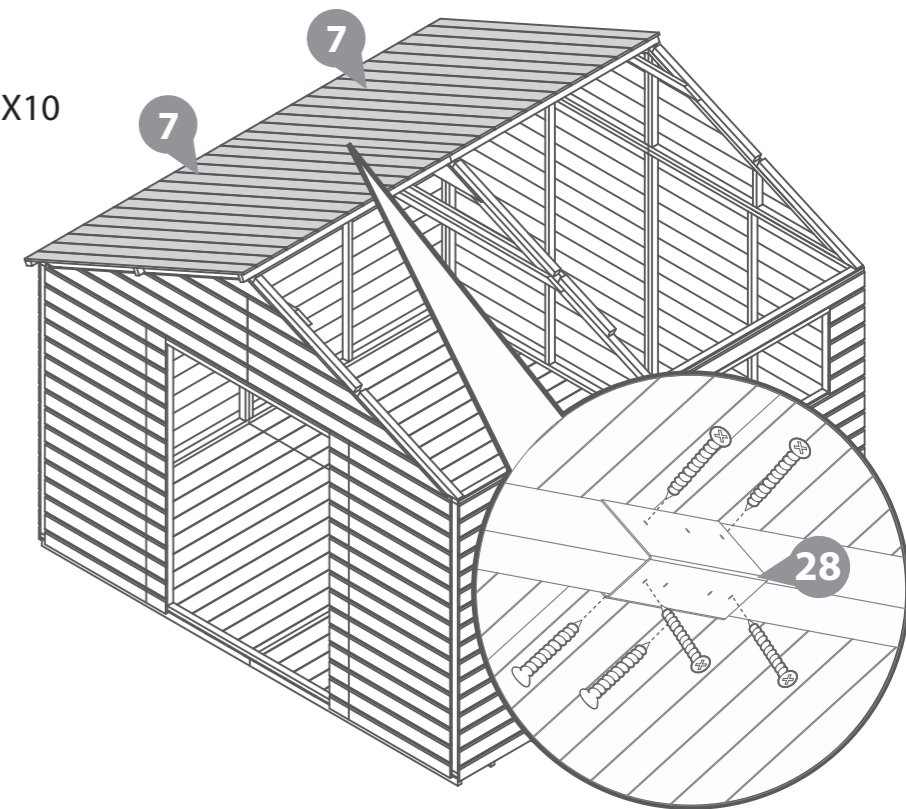
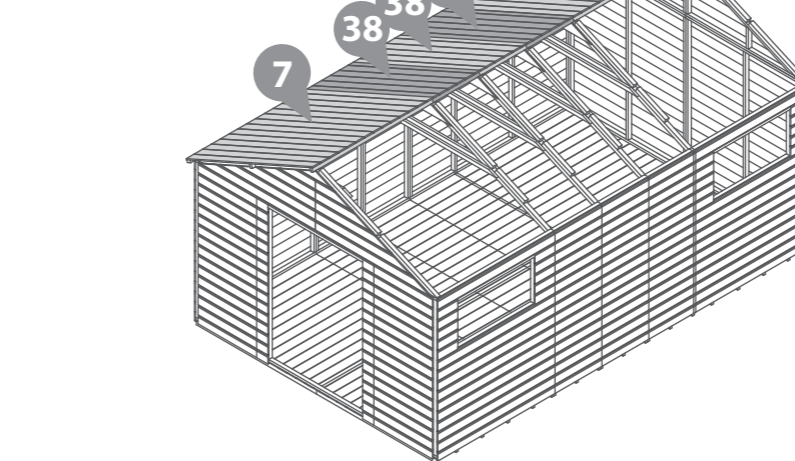
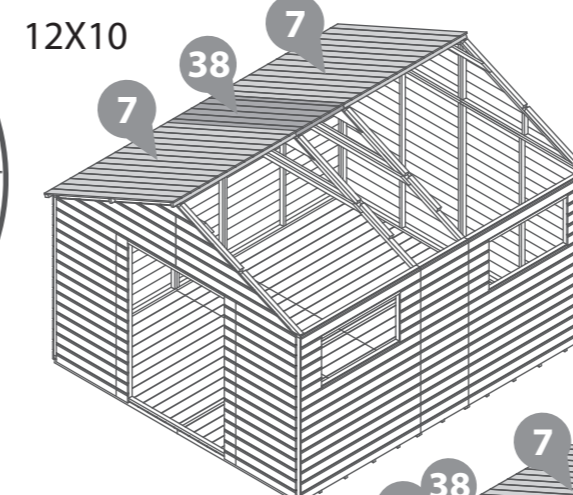
Place the roof panels (No. 7, No. 38 and No. 39) on top of the building and truss making sure the roof panels sit into the gables and truss. Do not fix the roof panels 10X10 until all roof panels are in place.

Ensure there is an equal amount of roof overhang on either side of the building.

Secure the roof panels (No. 7, No. 38 & No. 39) together using the metal U channel (No. 28) and 10x30mm screws per U channel.



NOT ALL SIZE OPTIONS ARE SHOWN BELOW, THE ILLUSTRATIONS ARE EXAMPLES.



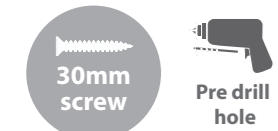
Step 12

Parts needed	Building Size						
	10x10	12x10	14x10	15x10	16x10	18x10	20x10
No.7	QTY 2	QTY 2	QTY 2	QTY 2	QTY 2	QTY 2	QTY 2
No.28	QTY 1	QTY 2	QTY 3	QTY 2	QTY 4	QTY 5	QTY 3
No.38		QTY 1	QTY 2		QTY 3	QTY 4	
No.39				QTY 1			QTY 2
30mm Screw	QTY 10	QTY 20	QTY 30	QTY 20	QTY 40	QTY 50	QTY 30

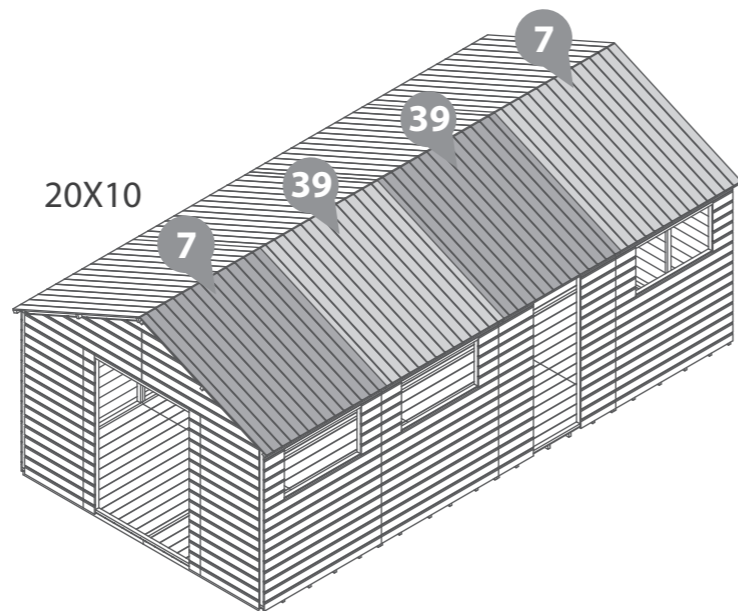
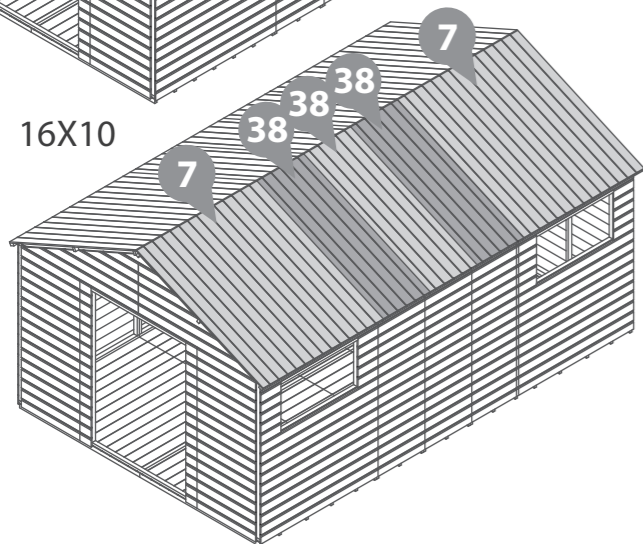
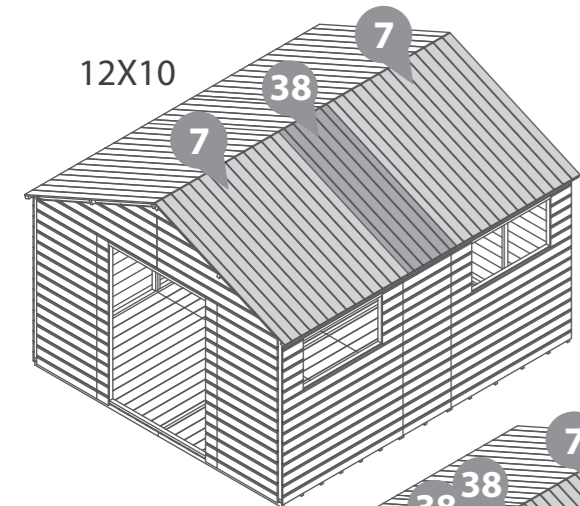
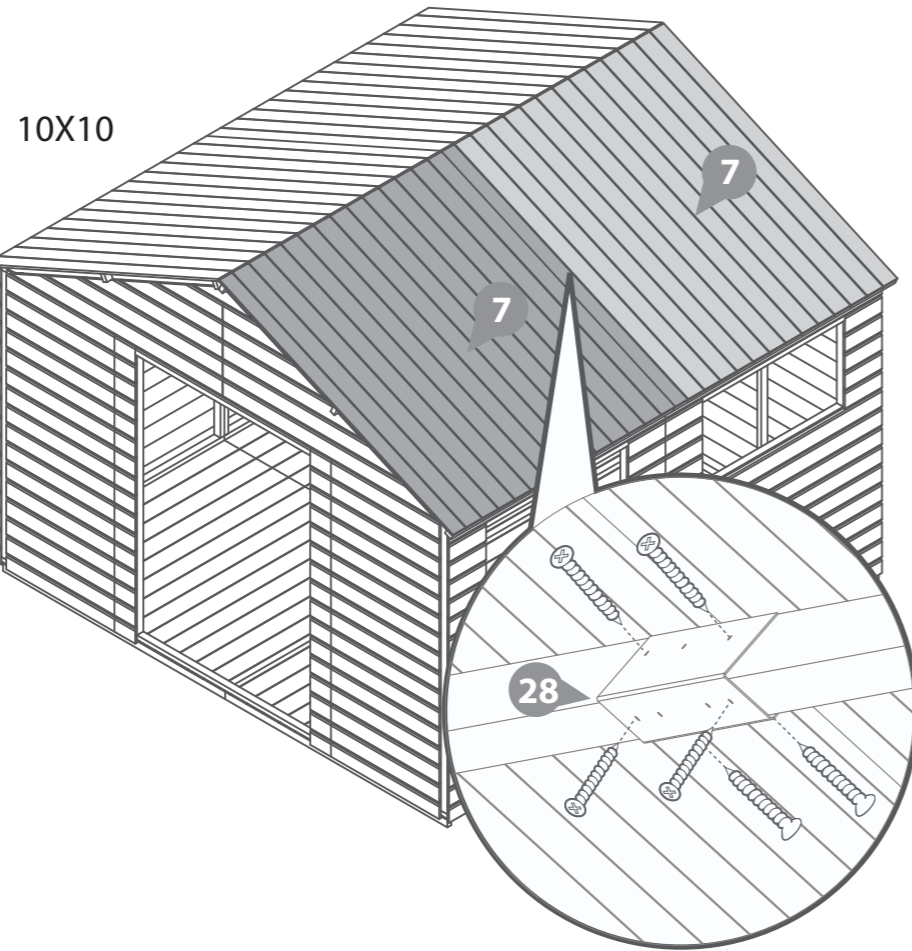
Place the roof panels (No. 7, No. 38 & No. 39) on top of the building and truss making sure the roof panels sit into the gables and truss. Do not fix the roof panels until all roof panels are in place.

Ensure there is an equal amount of roof overhang on either side of the building.

Secure the roof panels (No. 7, No. 38 & No. 39) together using the metal U channel (No. 28) and 10x30mm screws per U channel.



NOT ALL SIZE OPTIONS ARE SHOWN BELOW, THE ILLUSTRATIONS ARE EXAMPLES.



Step 13

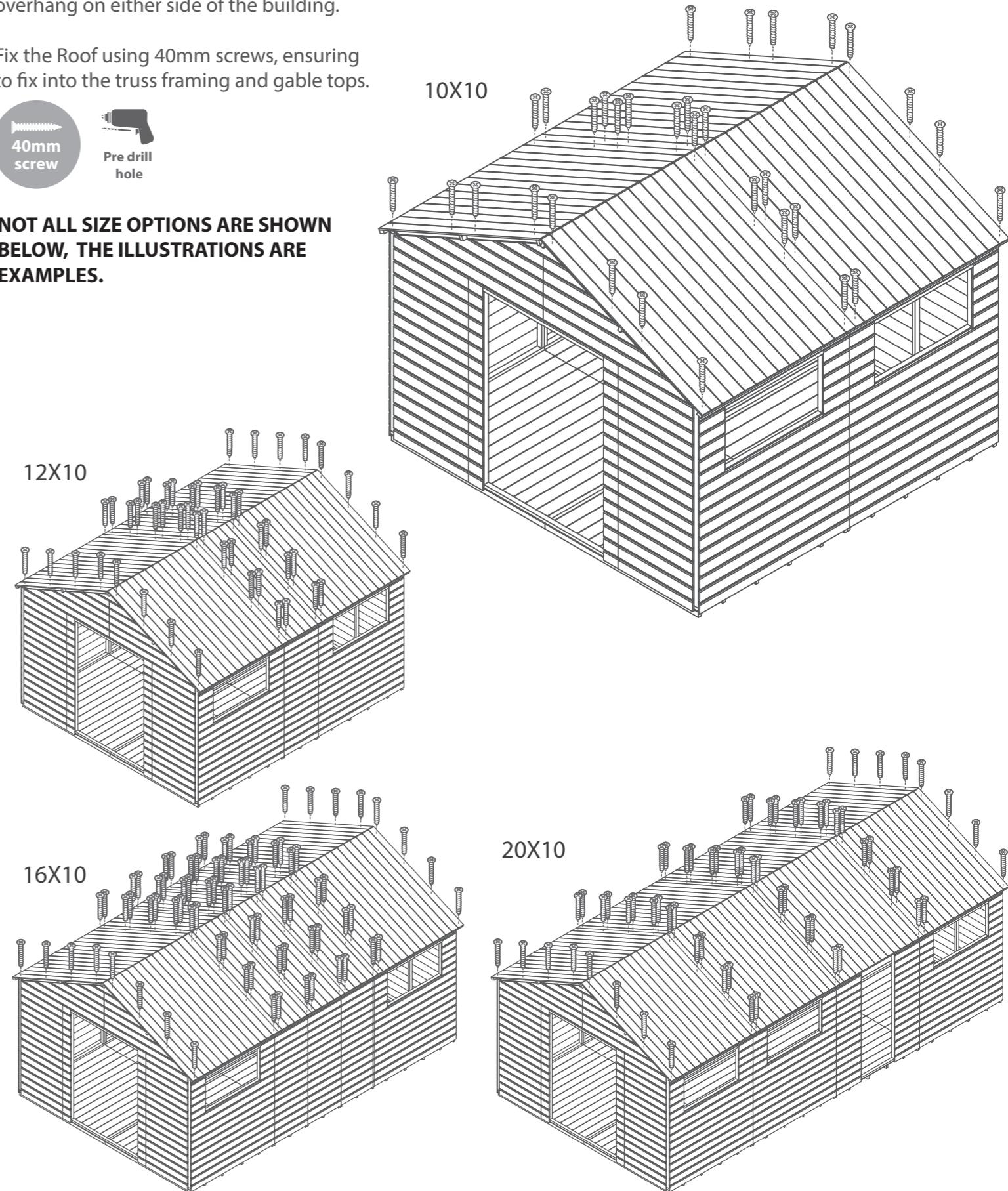
Parts needed	Building Size						
	10x10	12x10	14x10	15x10	16x10	18x10	20x10
40mm Screw	QTY 32	QTY 48	QTY 64	QTY 48	QTY 80	QTY 96	QTY 64

Ensure there is an equal amount of roof overhang on either side of the building.

Fix the Roof using 40mm screws, ensuring to fix into the truss framing and gable tops.



NOT ALL SIZE OPTIONS ARE SHOWN BELOW, THE ILLUSTRATIONS ARE EXAMPLES.



Step 14

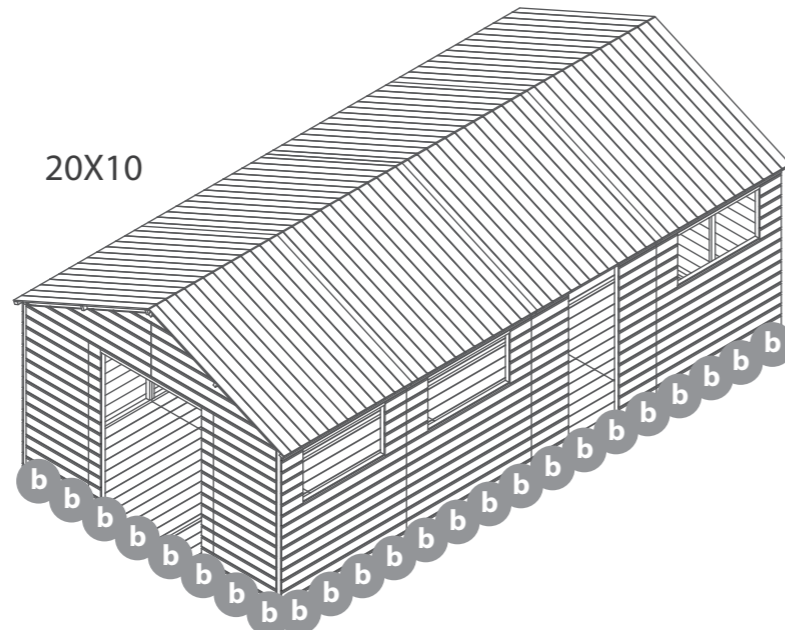
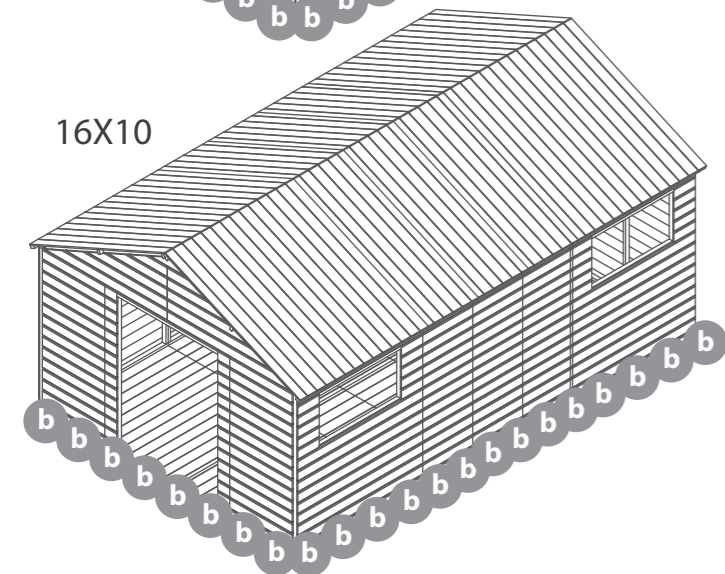
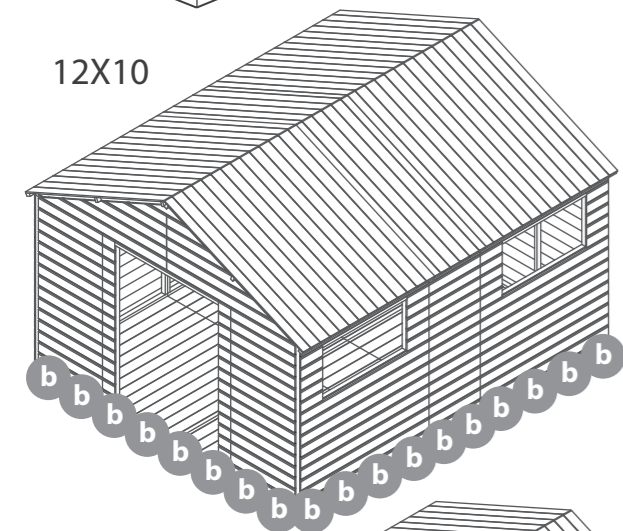
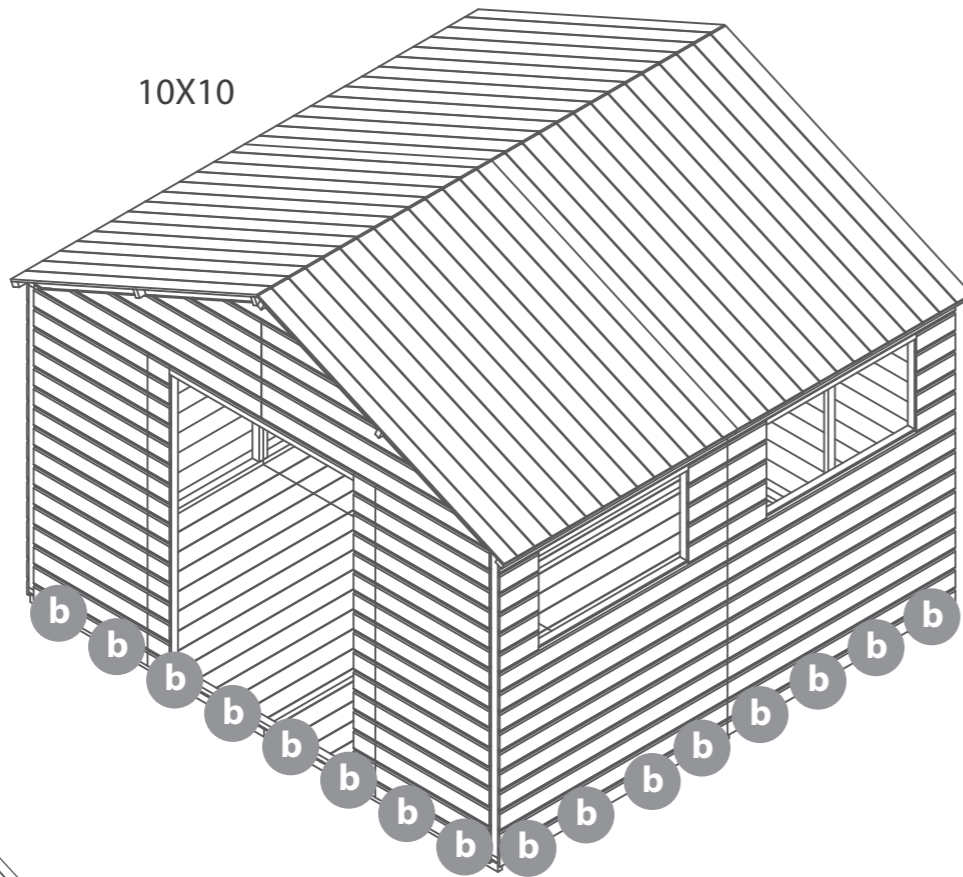
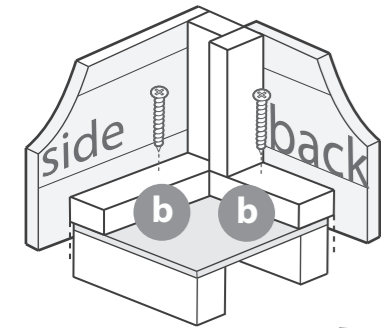
Parts needed	Building Size						
	10x10	12x10	14x10	15x10	16x10	18x10	20x10
50mm Screw	QTY 32	QTY 36	QTY 40	QTY 40	QTY 44	QTY 48	QTY 48

Once the roof is fixed attach the building to the floor with 50 mm screws.

Ensure the screws go through the panel into the floor framing.

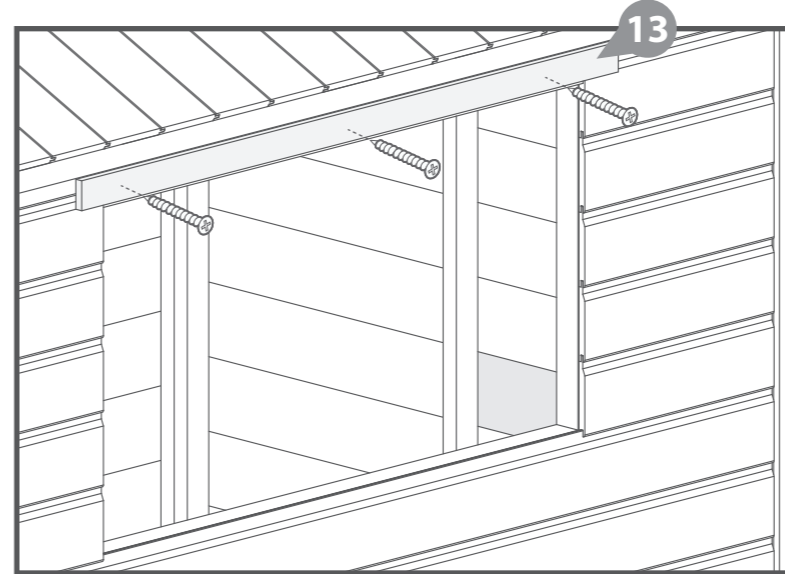


NOT ALL SIZE OPTIONS ARE SHOWN BELOW, THE ILLUSTRATIONS ARE EXAMPLES.

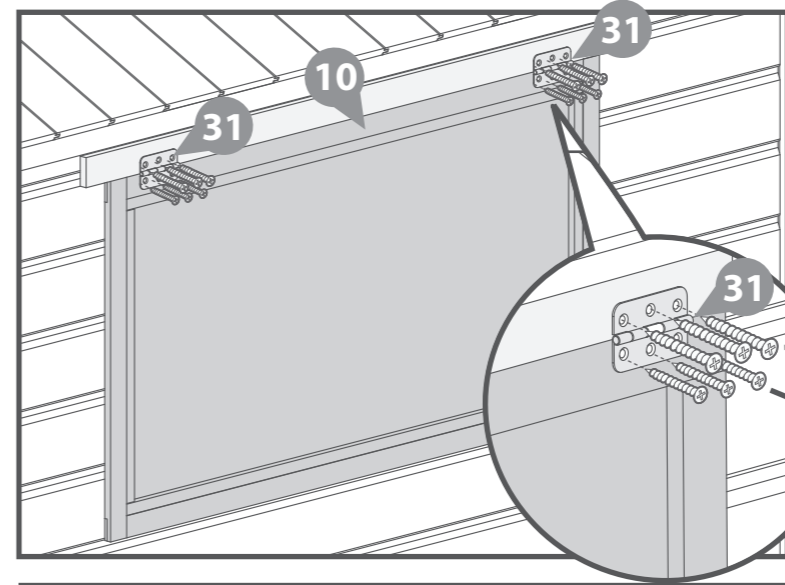


Step 15

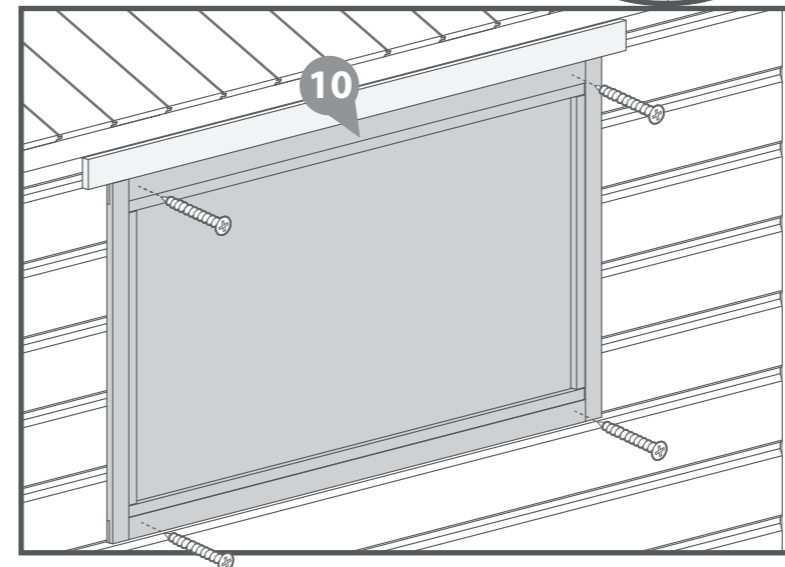
Parts needed	Building Size						
	10x10	12x10	14x10	15x10	16x10	18x10	20x10
No.10	QTY 2	QTY 2	QTY 2	QTY 3	QTY 2	QTY 2	QTY 3
No.13	QTY 2	QTY 2	QTY 2	QTY 3	QTY 2	QTY 2	QTY 3
No.31	QTY 4	QTY 4	QTY 4	QTY 6	QTY 4	QTY 4	QTY 6
16mm Screw	QTY 12	QTY 12	QTY 12	QTY 18	QTY 12	QTY 12	QTY 18
30mm Screw	QTY 18	QTY 18	QTY 18	QTY 27	QTY 18	QTY 18	QTY 27



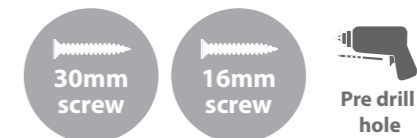
Place the Window Strip (No. 13) 11mm above the window gap in the window panel and fix with 3x30mm screws per strip.



Opening Window
If you would like the windows to be opening use the Butt Hinges (No. 31) to attach to the window strip and the Window (No. 10) together. Use 30mm screws to fix the butt hinge to the Window Strip and 16mm screws to fix it to the Window.



Fixed Window
If you want to fix the windows, instead of fixing butt hinges to the opening window, use 4x30mm screws to attach the window (No. 10) to the window side panel as shown in the diagram.

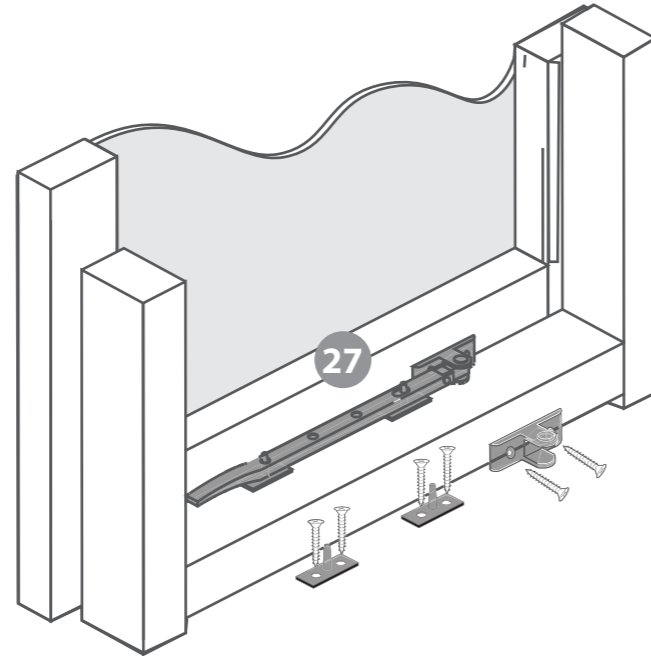


Step 16

Parts needed	Building Size						
	10x10	12x10	14x10	15x10	16x10	18x10	20x10
No.27	QTY 2	QTY 2	QTY 2	QTY 3	QTY 2	QTY 2	QTY 3
16mm Screws	QTY 12	QTY 12	QTY 12	QTY 18	QTY 12	QTY 12	QTY 18

Fix the Casement Stay (**No. 27**) to the opening window then align the fixings onto the window panel frame.

Ensure the casement stay fits into fixings when closed before screwing them down using 6x16mm screws per casement stay.

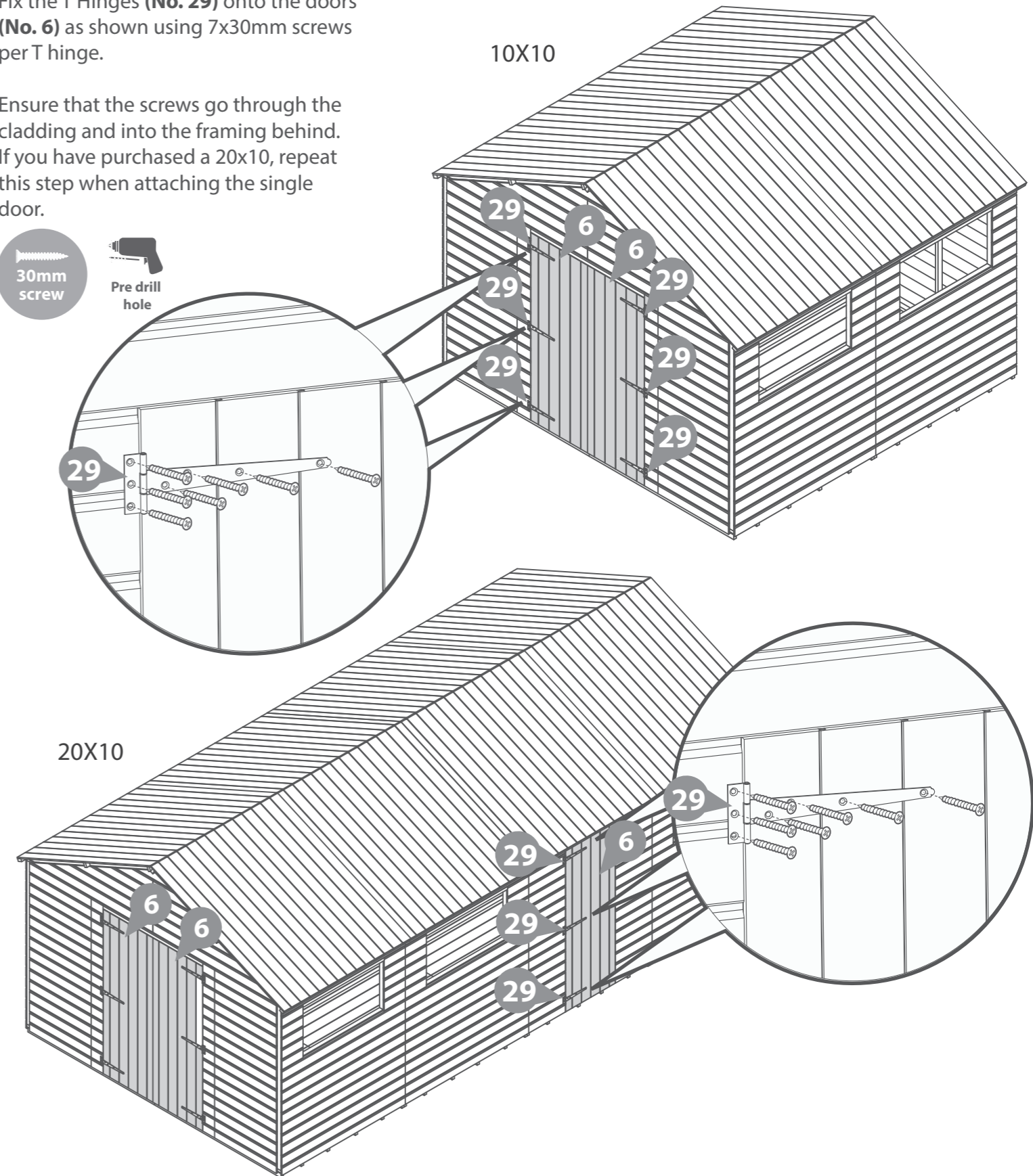


Step 17

Parts needed	Building Size						
	10x10	12x10	14x10	15x10	16x10	18x10	20x10
No.6	QTY 2	QTY 2	QTY 2	QTY 2	QTY 2	QTY 2	QTY 3
No.29	QTY 6	QTY 6	QTY 6	QTY 6	QTY 6	QTY 6	QTY 9
30mm Screw	QTY 42	QTY 42	QTY 42	QTY 42	QTY 42	QTY 42	QTY 63

Fix the T Hinges (**No. 29**) onto the doors (**No. 6**) as shown using 7x30mm screws per T hinge.

Ensure that the screws go through the cladding and into the framing behind. If you have purchased a 20x10, repeat this step when attaching the single door.



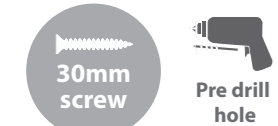
Step 18

Parts needed	Building Size						
	10x10	12x10	14x10	15x10	16x10	18x10	20x10
No.12	QTY 2	QTY 2	QTY 2	QTY 2	QTY 2	QTY 2	QTY 4
No.22	QTY 1	QTY 1	QTY 1	QTY 1	QTY 1	QTY 1	QTY 1
No.21	QTY 2	QTY 2	QTY 2	QTY 2	QTY 2	QTY 2	QTY 3
30mm Screw	QTY 16	QTY 16	QTY 16	QTY 16	QTY 16	QTY 16	QTY 26

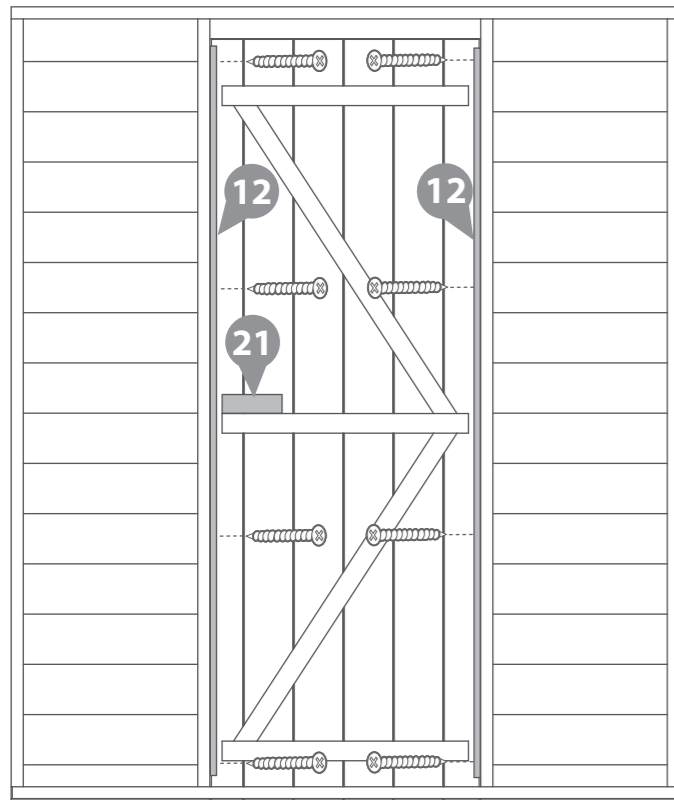
Place the Door Blocks (**No.21**) onto the top of the door framing, ensuring it is flush with the ends of the framing, secure using 2x30mm screws per block, going through the front of the door cladding and into the door block.

Locate the Door Cloaking Strip (**No.22**) between the door framing, ensuring it is equally spaced, secure to the secondary door using 4x30mm screws, going through the front of the door cladding and into the Door Cloaking Strip.

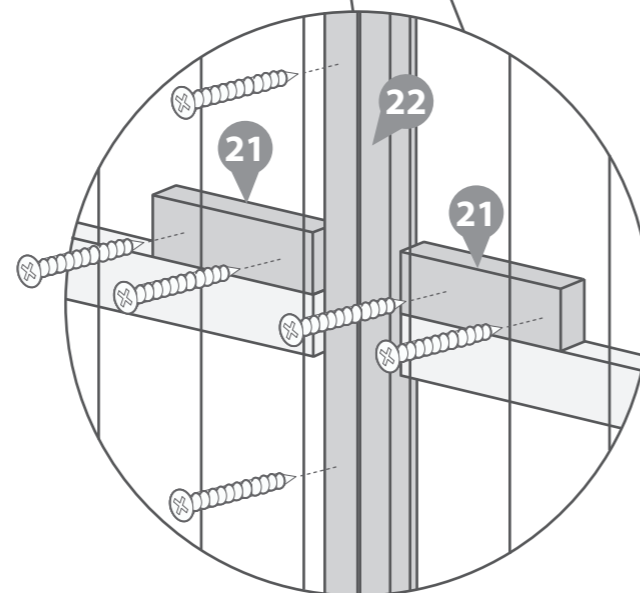
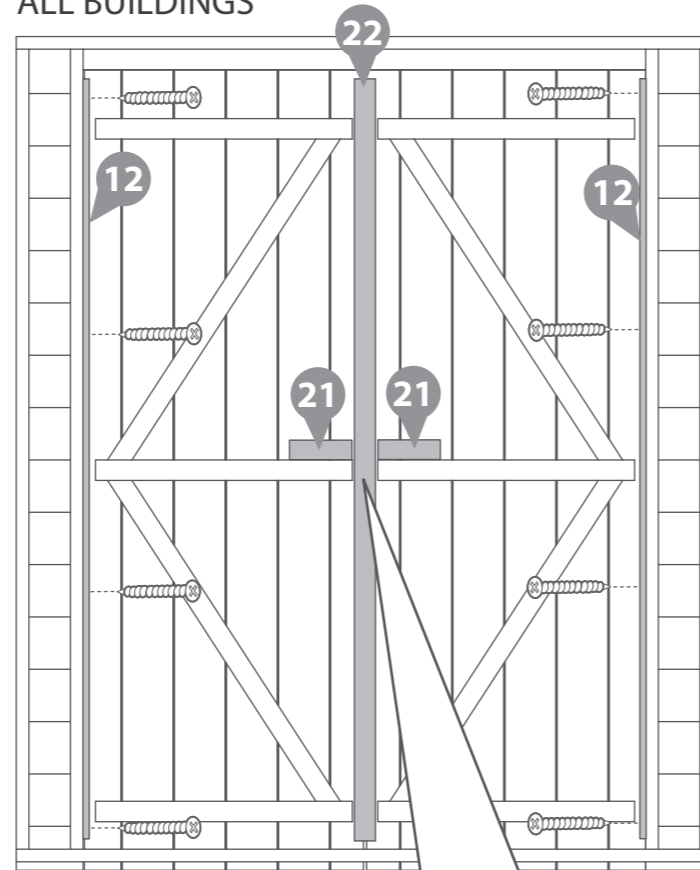
Locate the Door beading strips (**No.12**) between the door panel framing and the door framing, ensuring it is equally spaced, secure using 4x30mm screws per strip, ensuring to go through to the door panel framing



20X10



ALL BUILDINGS

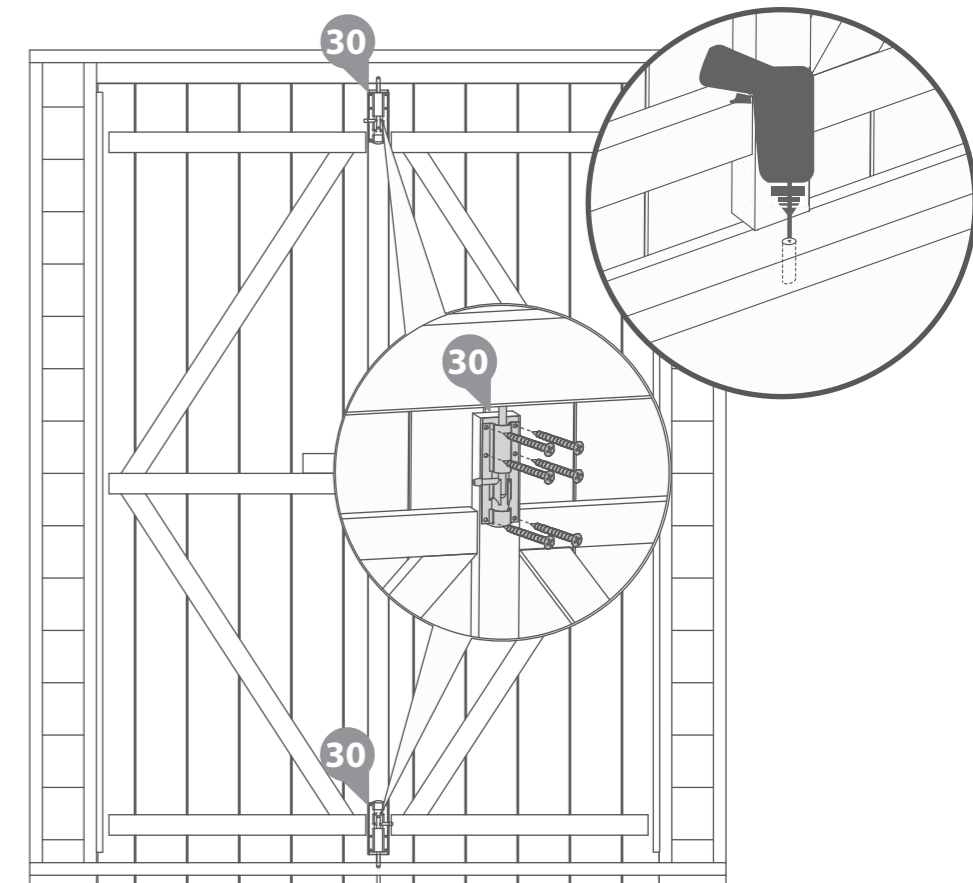


Step 19

Parts needed	Building Size
	All Sizes
No.30	QTY 2
16mm Screws	QTY 12

Align the tower bolts (**No. 30**) onto the door cloaking strip, secure the bolts to the top and bottom using 6x16mm screws per tower bolt.

Mark the position of the bolt & drill a hole above and below for the bolt to catch in to.



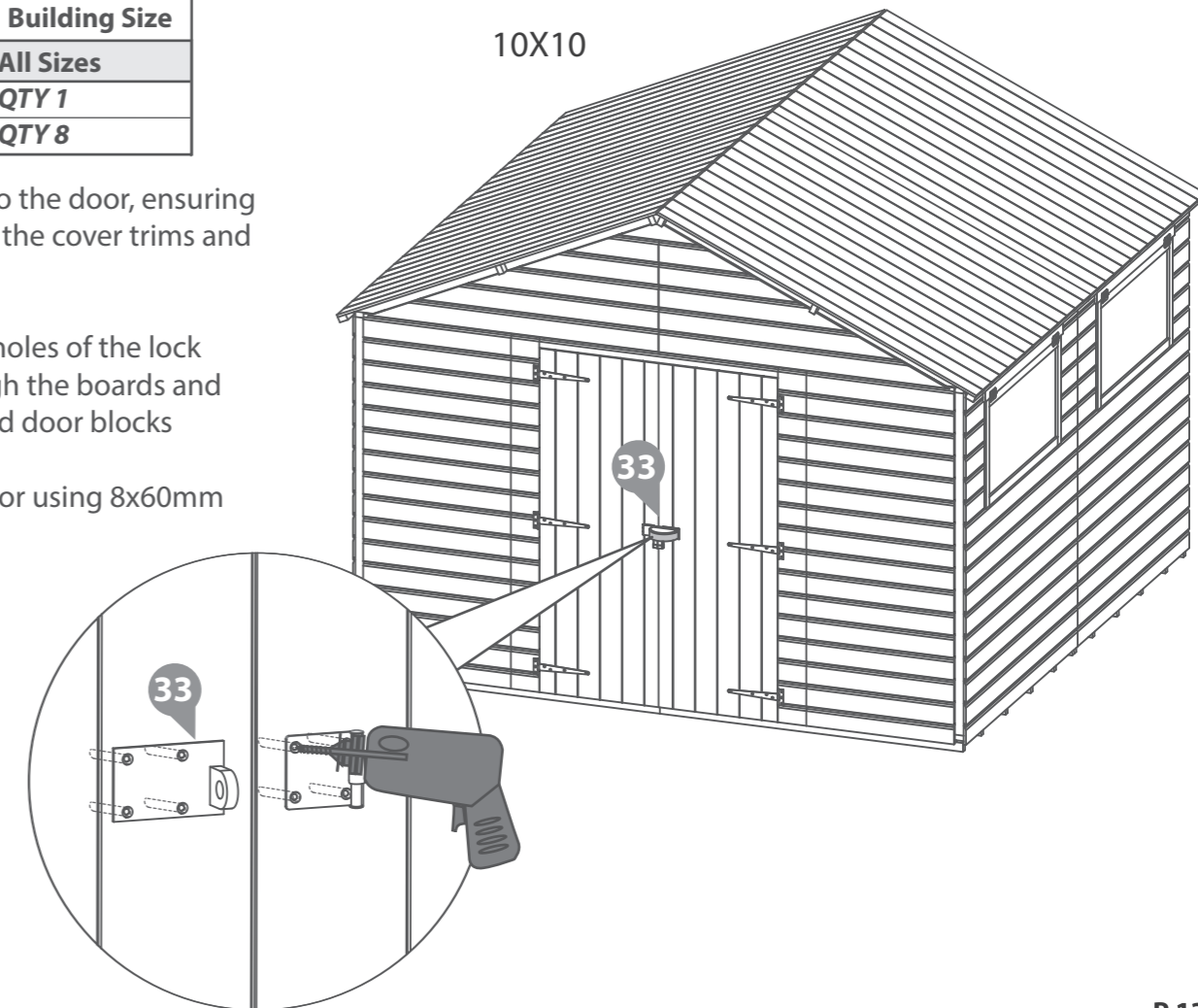
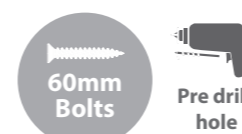
Step 20

Parts needed	Building Size
	All Sizes
No.33	QTY 1
60mm Bolts	QTY 8

Align the lock (**No.33**) to the door, ensuring equal spacing between the cover trims and across the doors.

Measure and mark the holes of the lock (**No.33**) and drill through the boards and through the framing and door blocks

Fix the lock onto the door using 8x60mm Carriage Bolts and Nuts

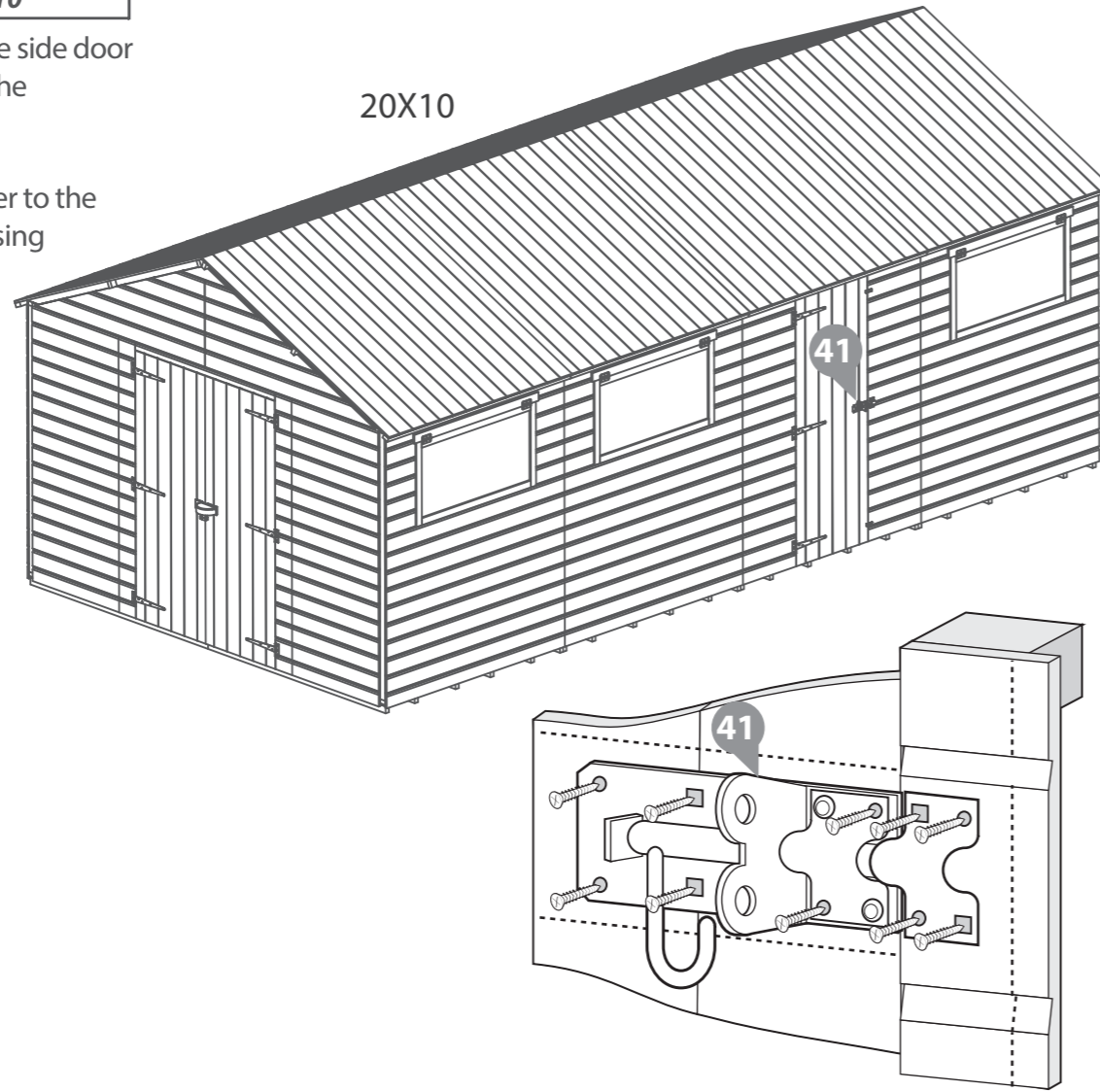


Step 21

	Building Size
Parts needed	20x10 Only
No.41	QTY 1
30mm Screws	QTY 10

Fix the Pad Bolt (No. 41) to the side door with 6x30mm screws along the horizontal door brace.

Then fix the tower bolt retainer to the vertical door panel framing using 4x30mm screws.



Step 22

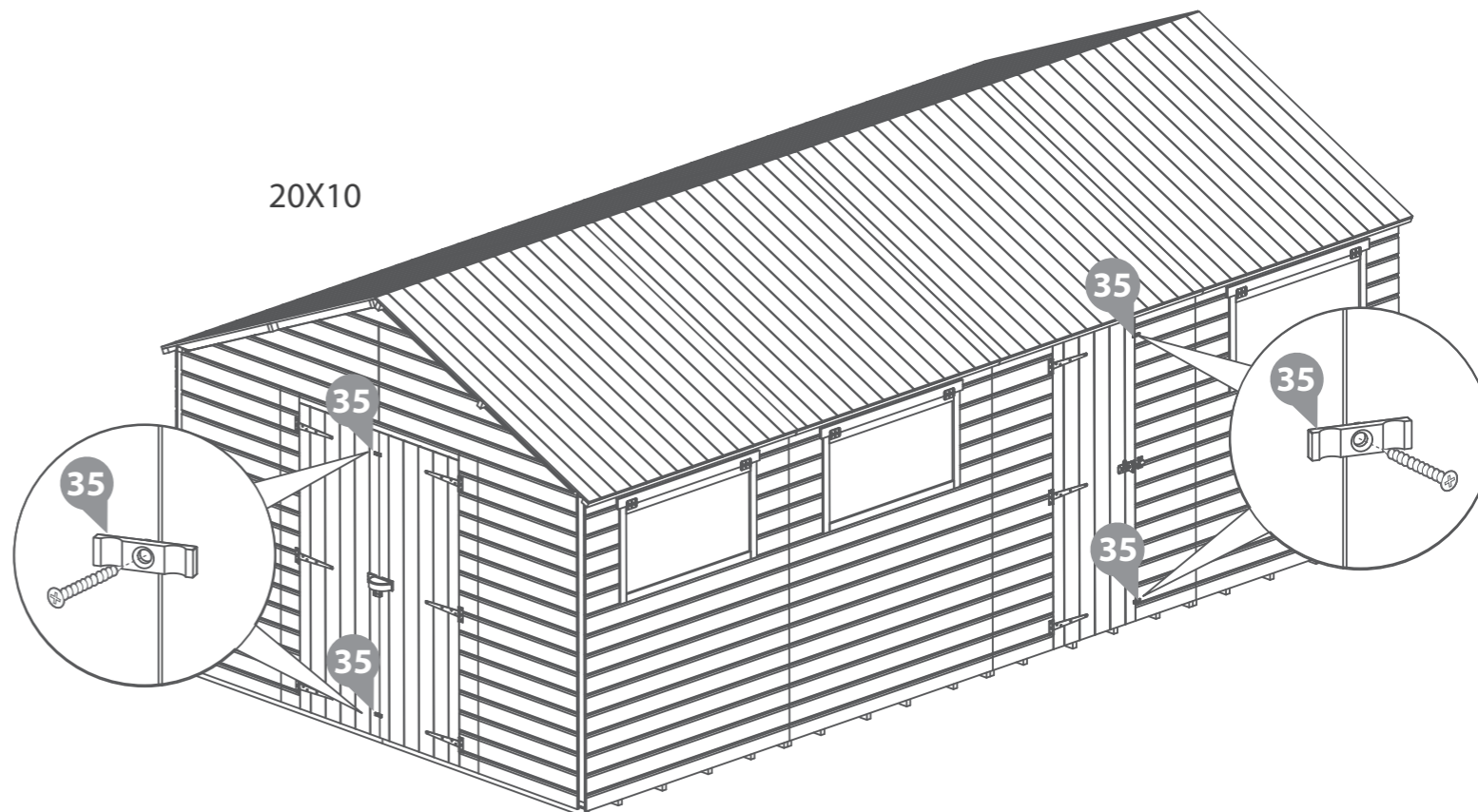
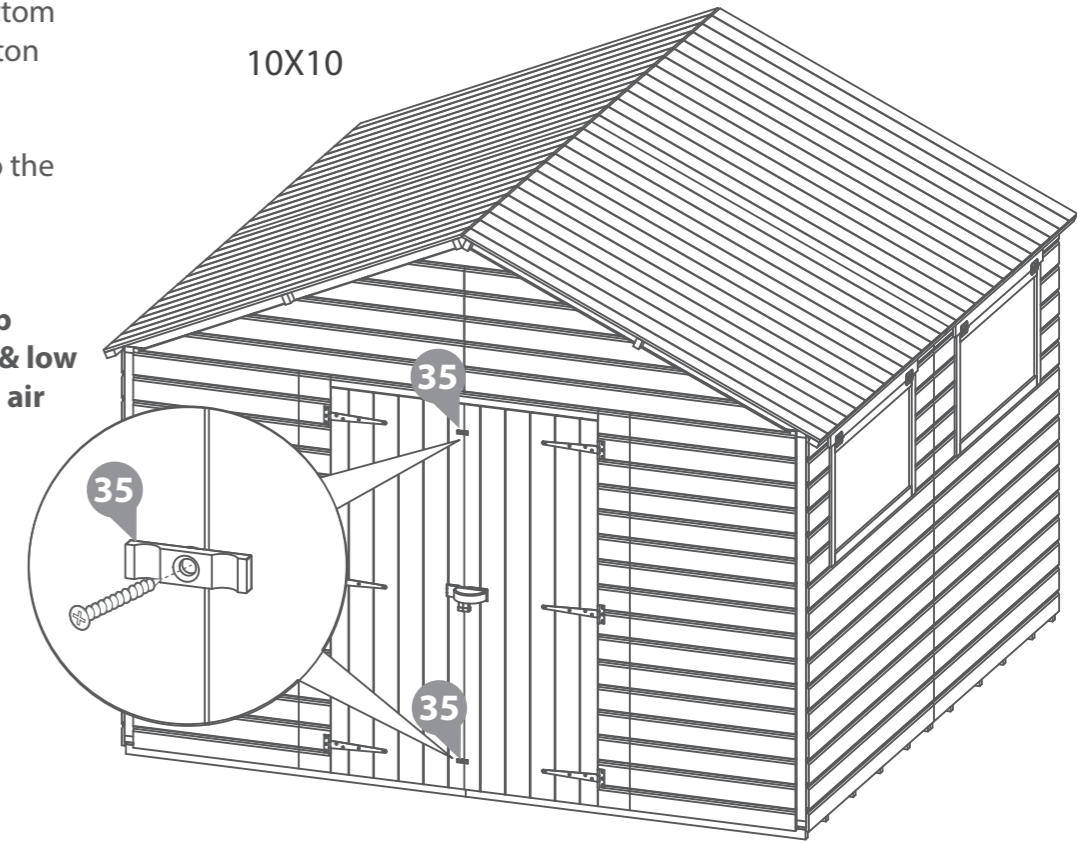
	Building Size						
Parts needed	10x10	12x10	14x10	15x10	16x10	18x10	20x10
No.35	QTY 2	QTY 2	QTY 2	QTY 2	QTY 2	QTY 2	QTY 4
30mm Screws	QTY 2	QTY 2	QTY 2	QTY 2	QTY 2	QTY 2	QTY 4

Attach the turn buttons (No.35) to the secondary door at the top and bottom using 1x30mm screw per turn button

20x10

Attach the turn buttons (No.35) to the door at the top and bottom using 1x30mm screw per turn button

*These turn buttons help to keep your doors straight during high & low levels of moisture content in the air



Step 23

	Building Size						
Parts needed	10x10	12x10	14x10	15x10	16x10	18x10	20x10
No.34- Size Required	3150mm	3750mm	4350mm	4610mm	4950mm	5540mm	6140mm
Felt Tacks	QTY 150	QTY 185	QTY 220	QTY 225	QTY 255	QTY 290	QTY 300

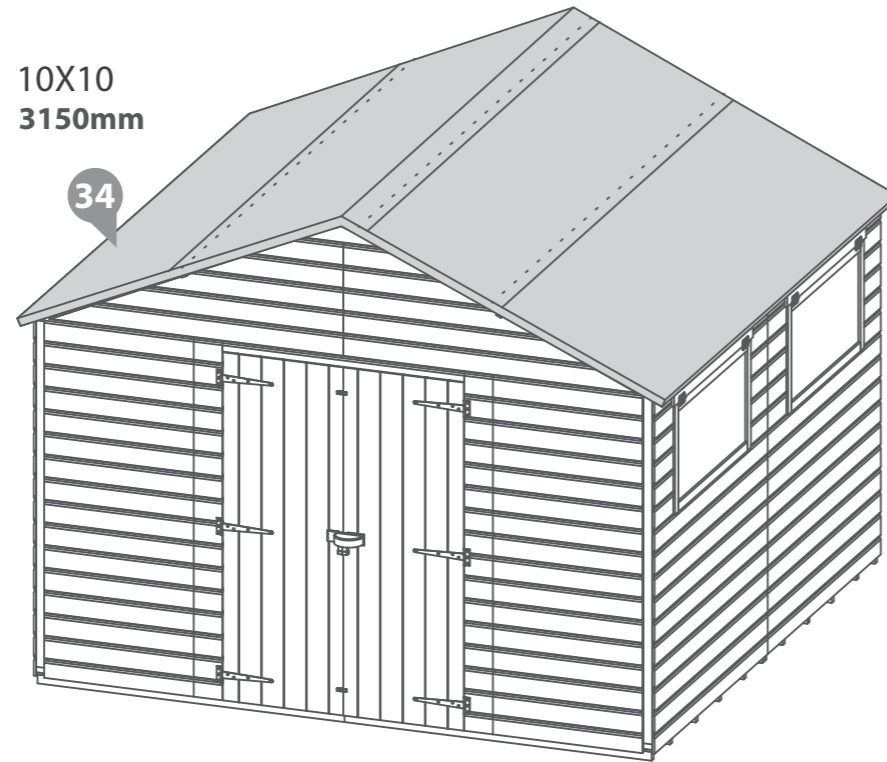
Cut four strips of felt (No. 34) and place onto the roof.

Place the felt flat onto the roof in the order that is stated on the diagram below.

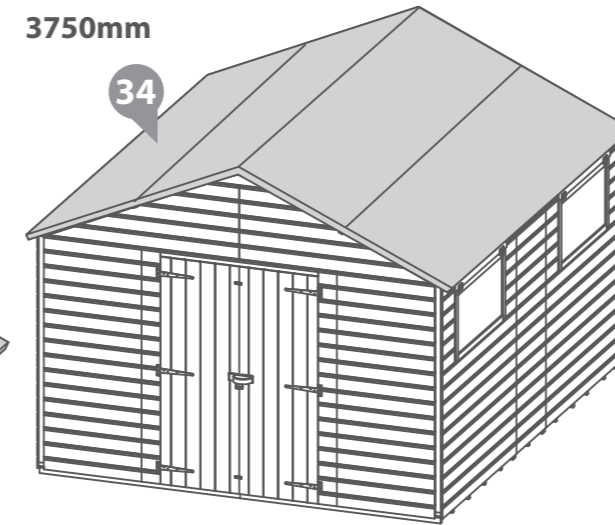
Once the sheets are laid out fix them onto the roof with tacks 100mm apart.



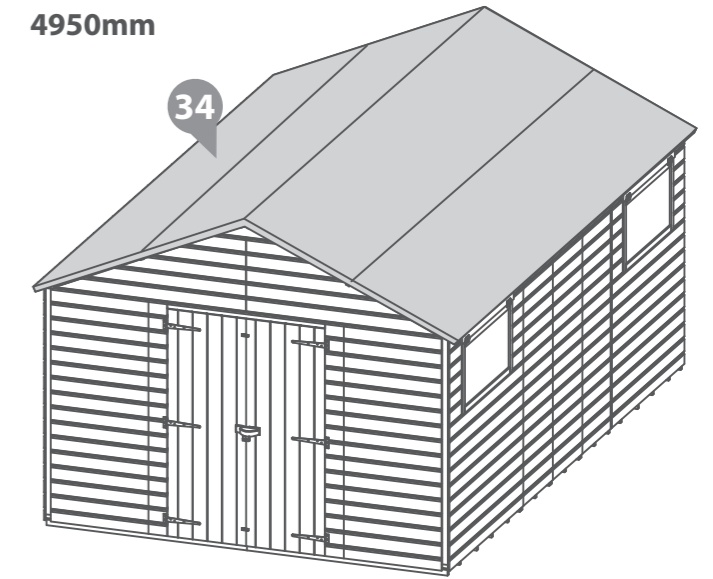
10X10
3150mm



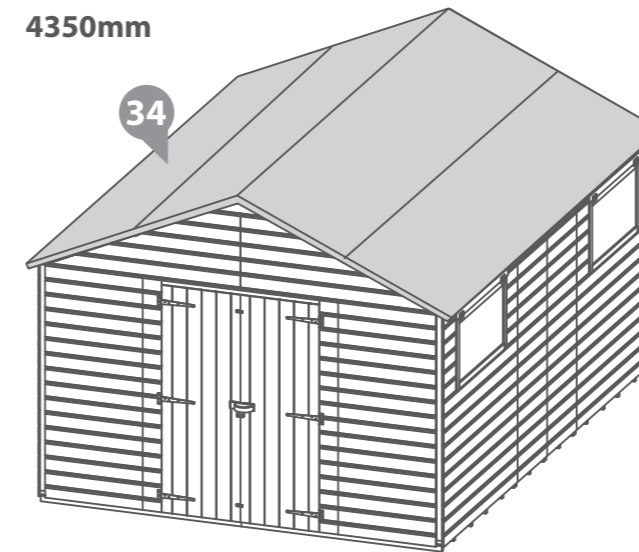
12X10
3750mm



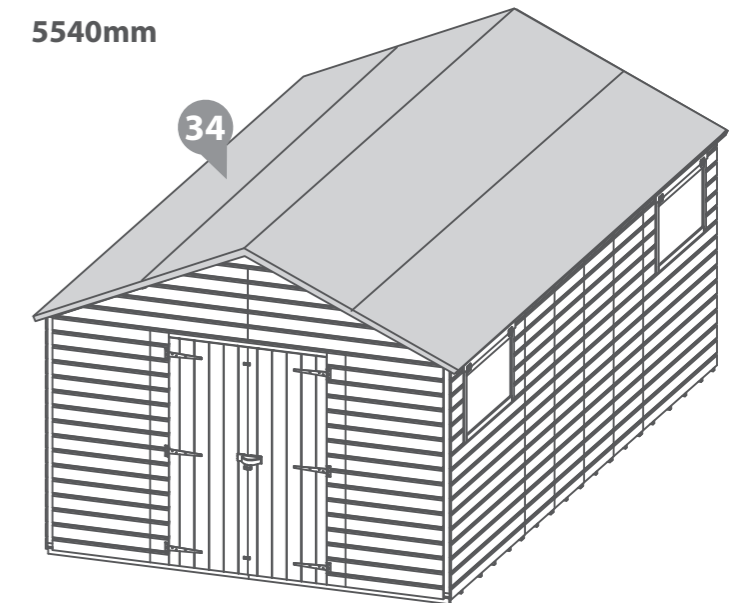
16X10
4950mm



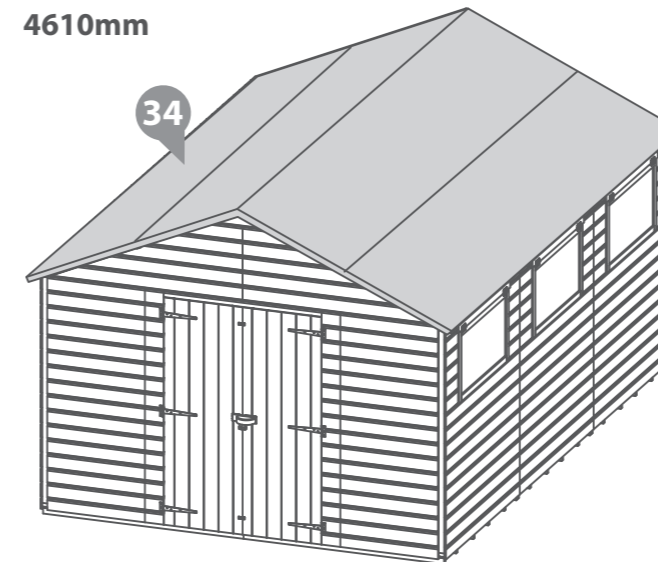
14X10
4350mm



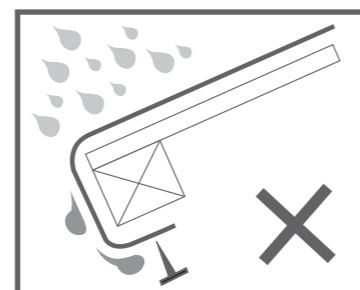
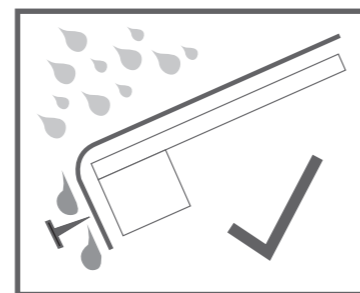
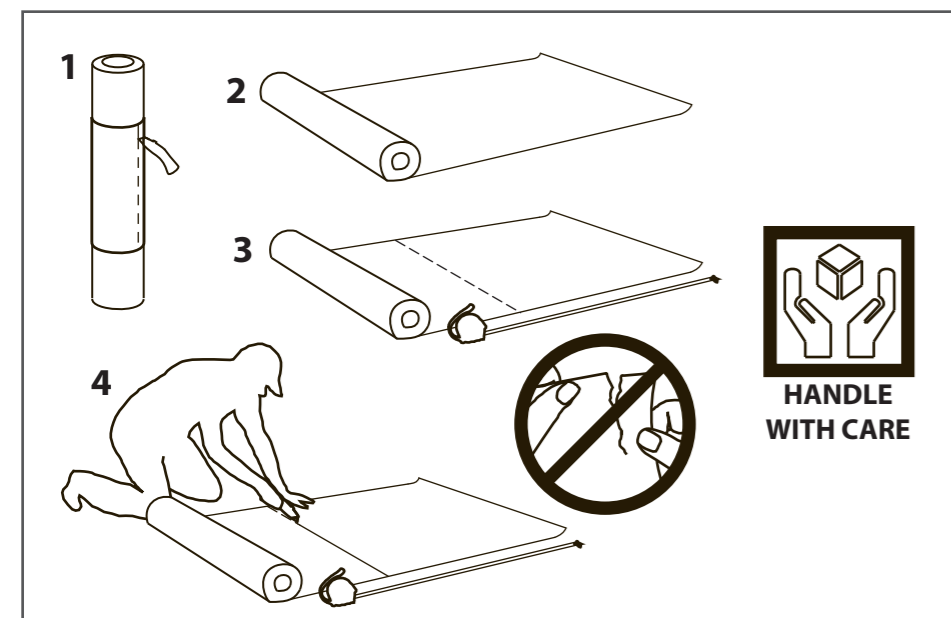
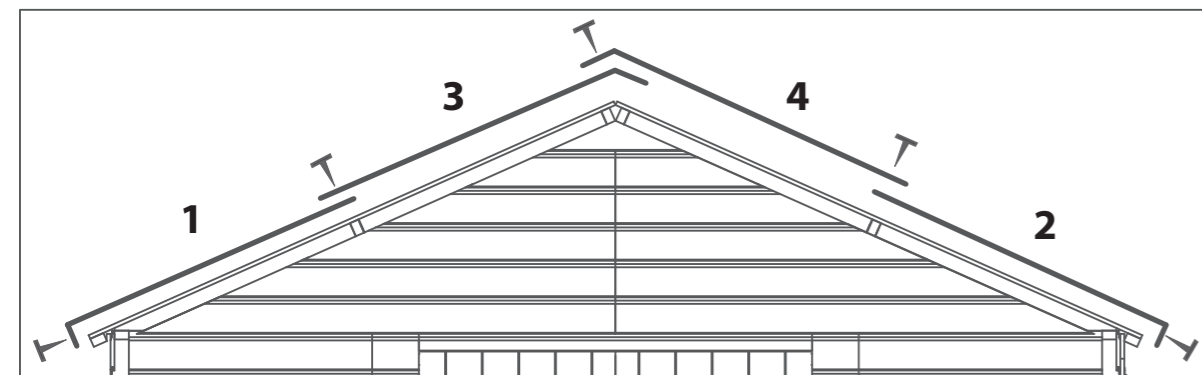
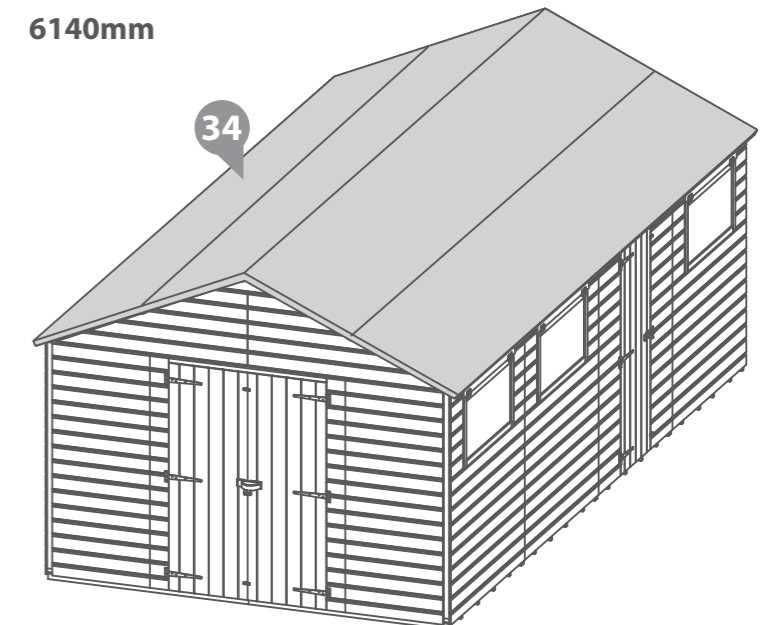
18X10
5540mm



15X10
4610mm



20X10
6140mm



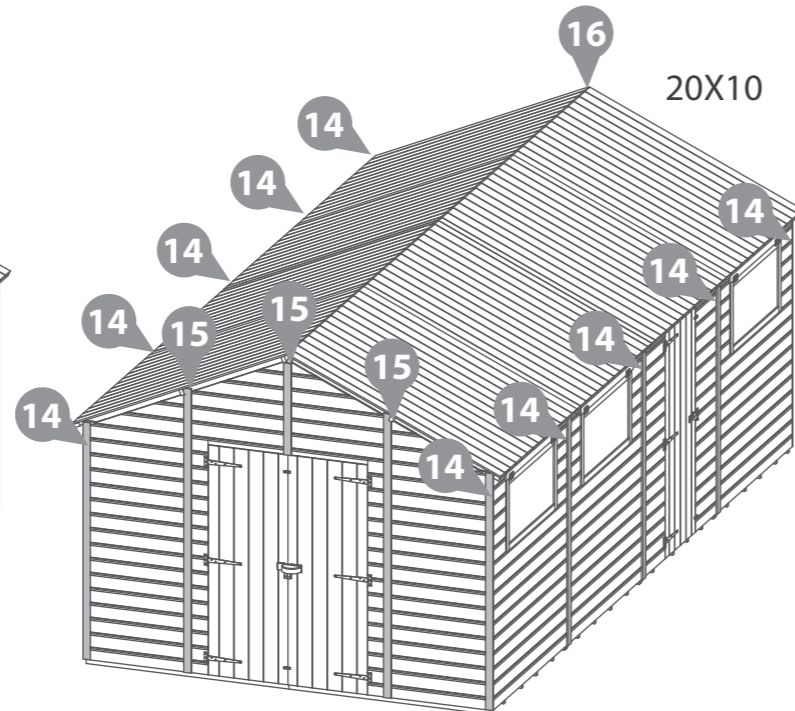
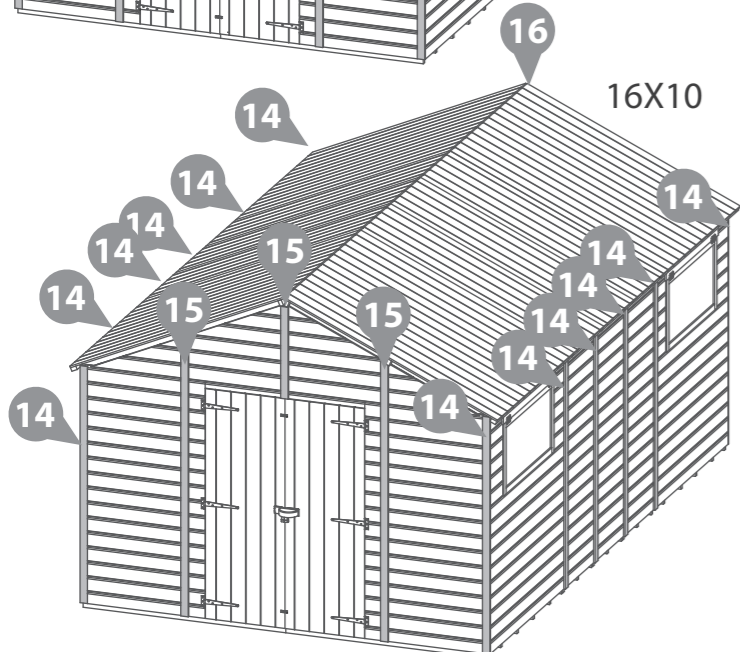
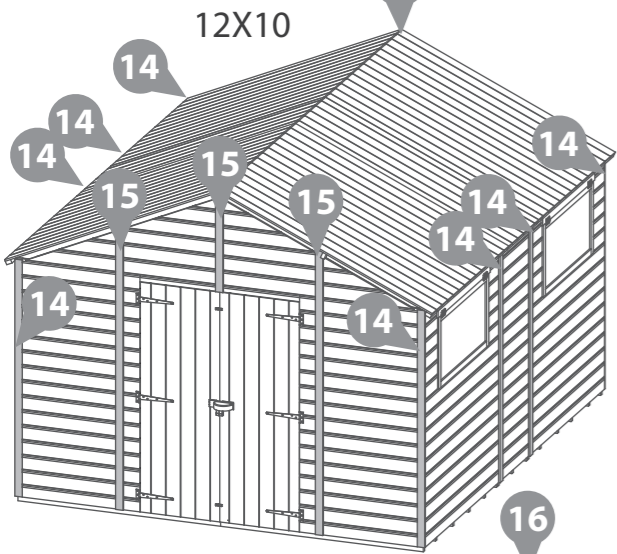
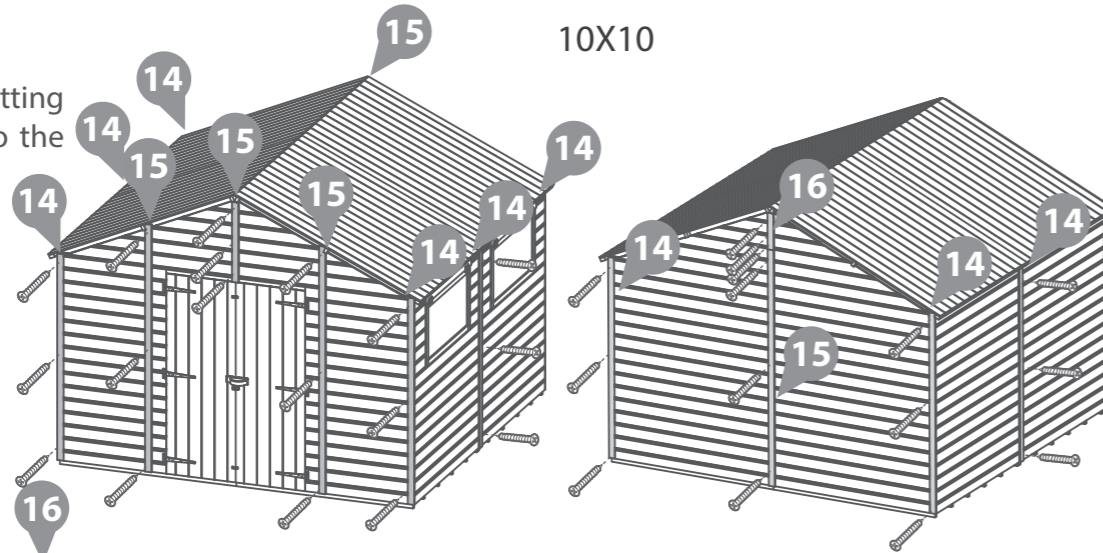
Step 24

Parts needed	Building Size						
	10x10	12x10	14x10	15x10	16x10	18x10	20x10
No.14	QTY 6	QTY 8	QTY 10	QTY 8	QTY 12	QTY 14	QTY 10
No.15	QTY 4	QTY 4	QTY 4	QTY 4	QTY 4	QTY 4	QTY 4
No. 16	QTY 1	QTY 1	QTY 1	QTY 1	QTY 1	QTY 1	QTY 1
30mm Screw	QTY 33	QTY 39	QTY 43	QTY 39	QTY 49	QTY 55	QTY 43

Fit the Cover Strips (No. 14, No.15 and No.16) to the building and secure in place with 3x30mm screws per cover trim.

The cover strips will need cutting to length before securing to the building.

Pre drill to avoid splitting.

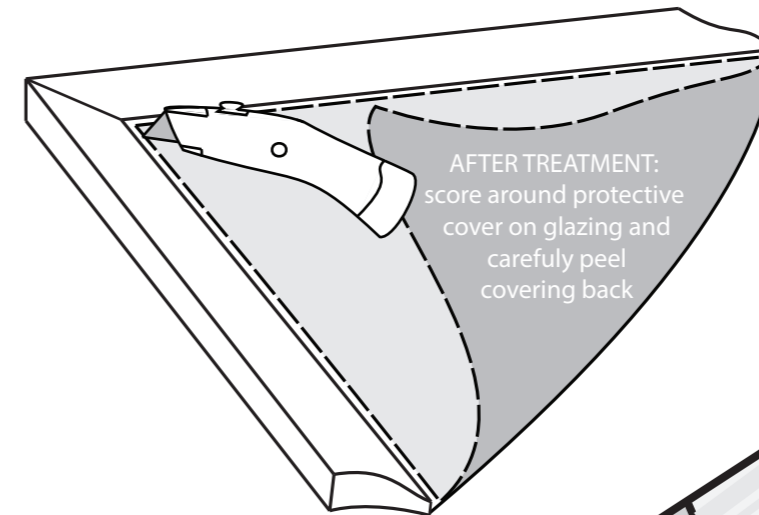
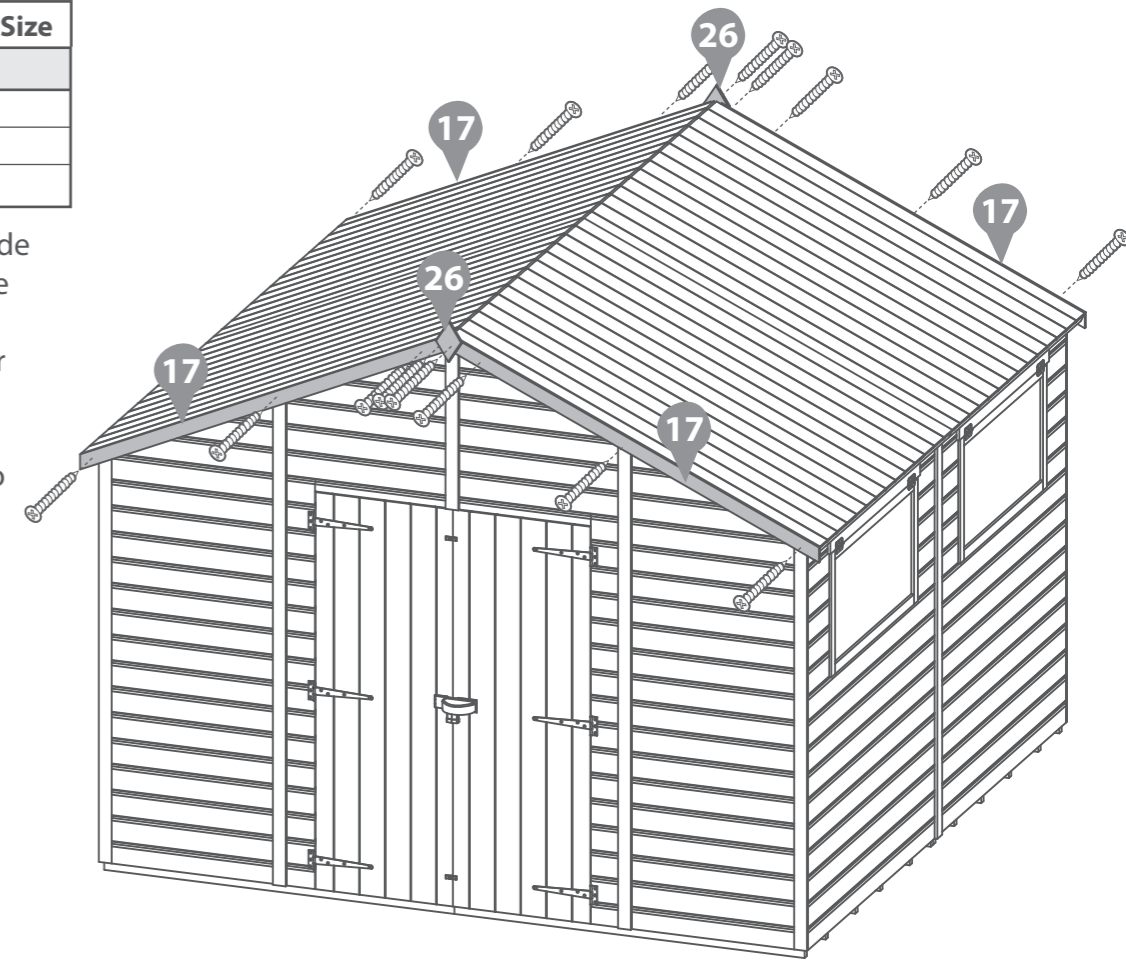


Step 25

Parts needed	Building Size
	All Sizes
No.17	QTY 4
No.26	QTY 2
30mm Screw	QTY 16

Fix the Fascias (No.17) to each side of the building, ensuring they are flush to the top of the building, secure using 3x30mm screws per fascia.

Fix the Shed Diamond (No.26) to each side of the building, secure using 2x30mm screws per Shed Diamond.



AFTER TREATMENT:
score around protective
cover on glazing and
carefully peel
covering back



It is **ESSENTIAL** that you apply wood treatment immediately after the building has been assembled.

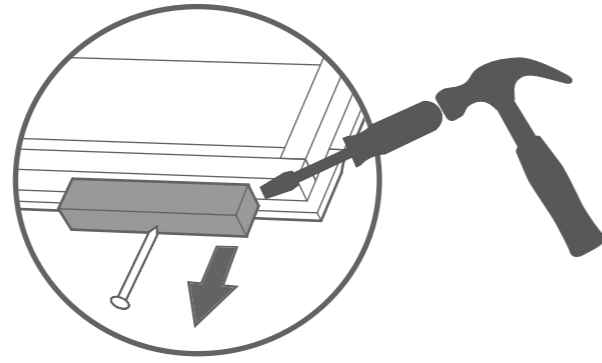
Reverse Apex Installation

Pre Assembly

Before assembling remove the transportation blocks from the bottom of each panel.

Take care removing the blocks as to not damage the panels. Tap with a flat headed screwdriver and hammer.

Dispose of the blocks once removed.

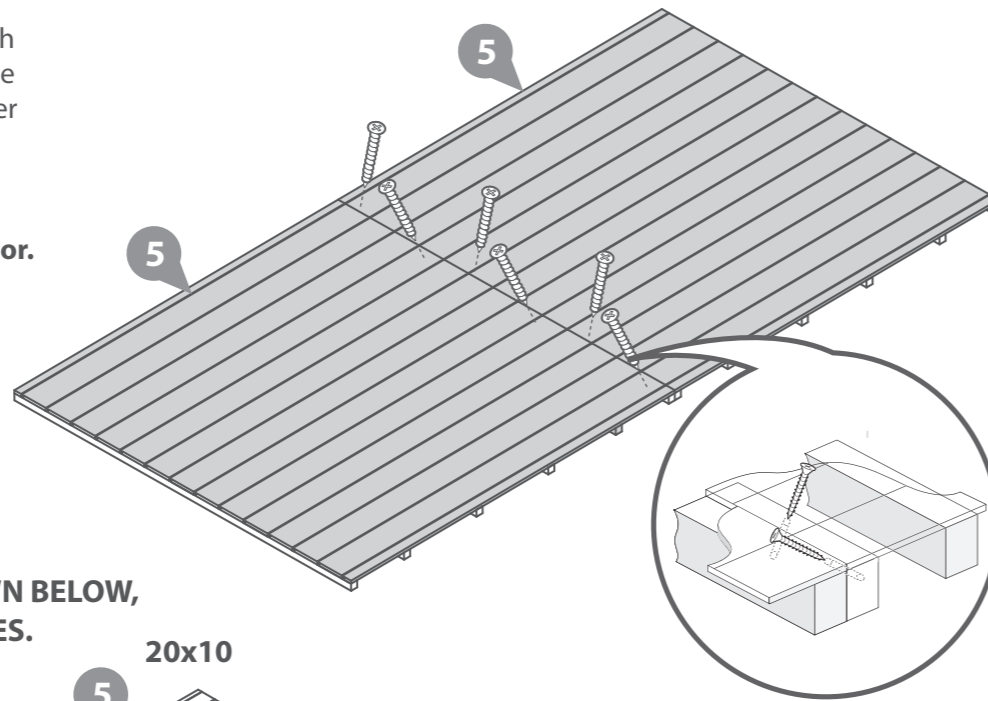
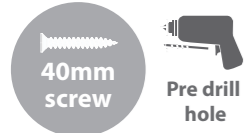


Step 1

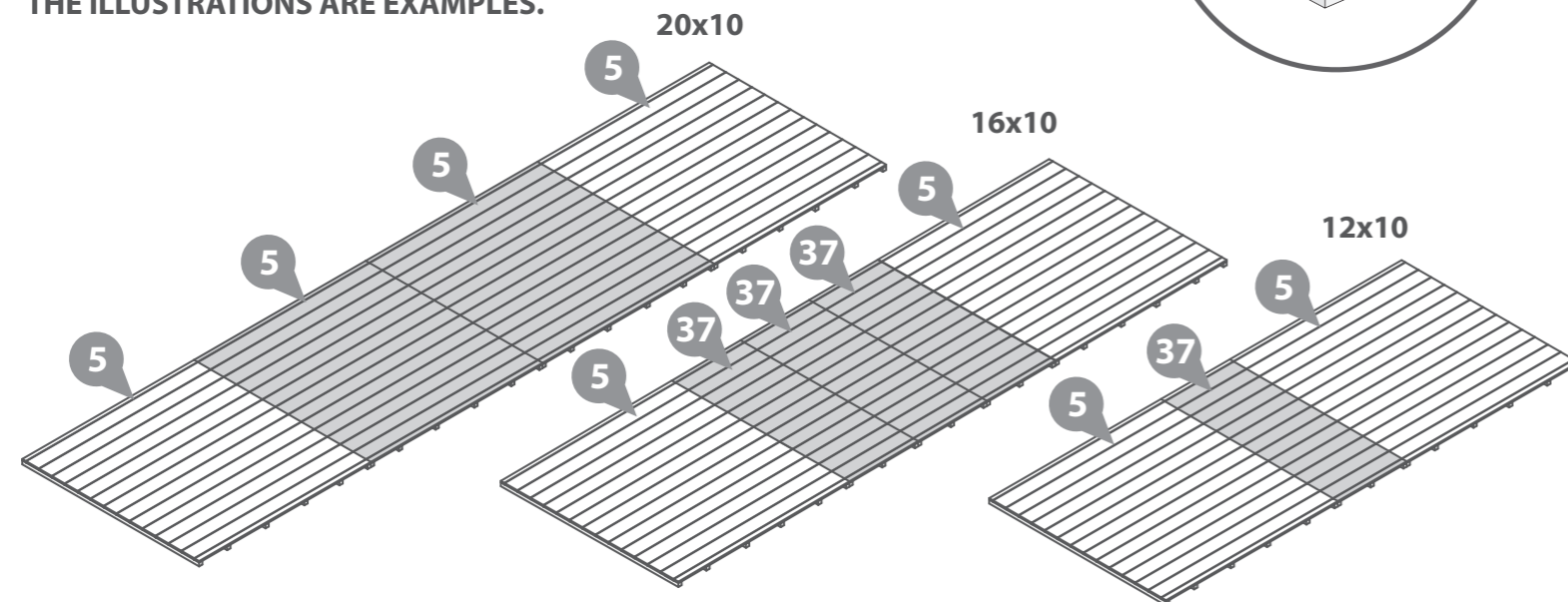
Parts needed	Building Size						
	10x10	12x10	14x10	15x10	16x10	18x10	20x10
No.5	QTY 2	QTY 2	QTY 2	QTY 3	QTY 2	QTY 2	QTY 4
No.37		QTY 1	QTY 2		QTY 3	QTY 4	
40mm Screw	QTY 12	QTY 24	QTY 36	QTY 24	QTY 48	QTY 60	QTY 36

Lay the floors (No.5, No.37) along side each other as shown in the diagram, with the framing down to the floor. Secure the floors together using 6x40mm screws per join. Ensure to go through the floor cladding and into the framing.

Repeat the Step to create a second floor.



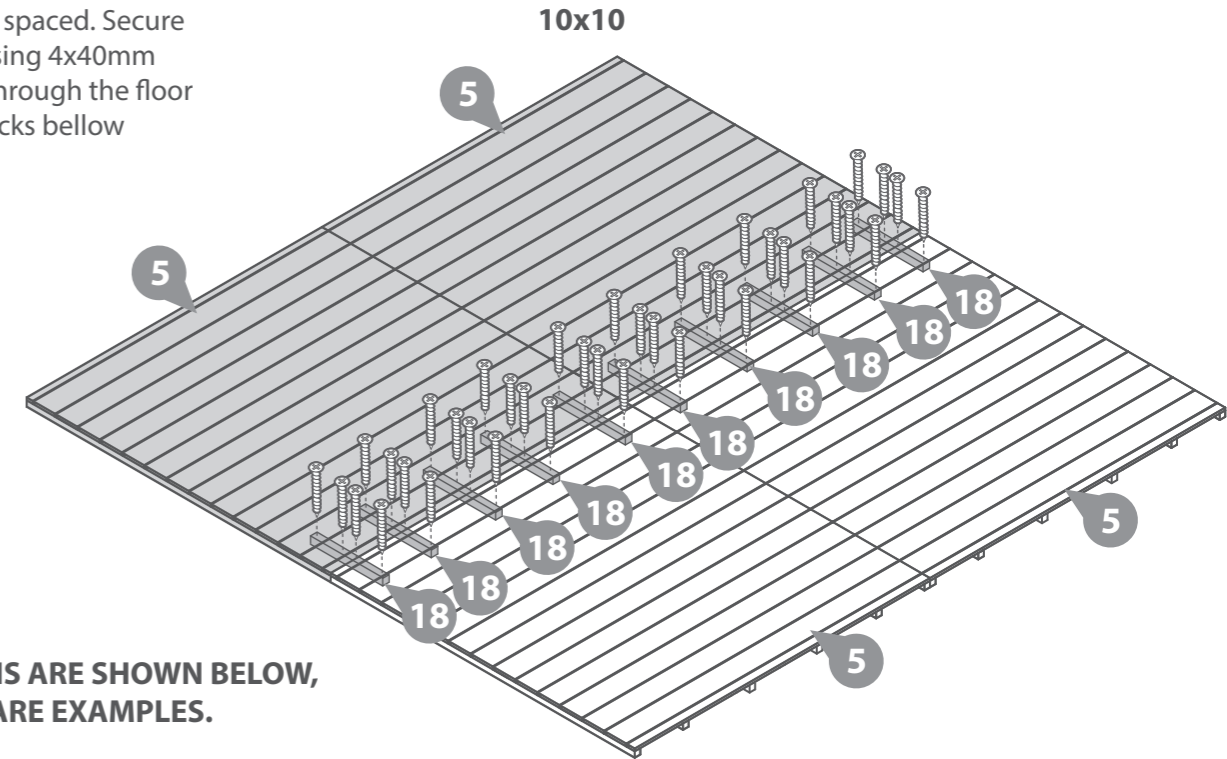
NOT ALL SIZE OPTIONS ARE SHOWN BELOW, THE ILLUSTRATIONS ARE EXAMPLES.



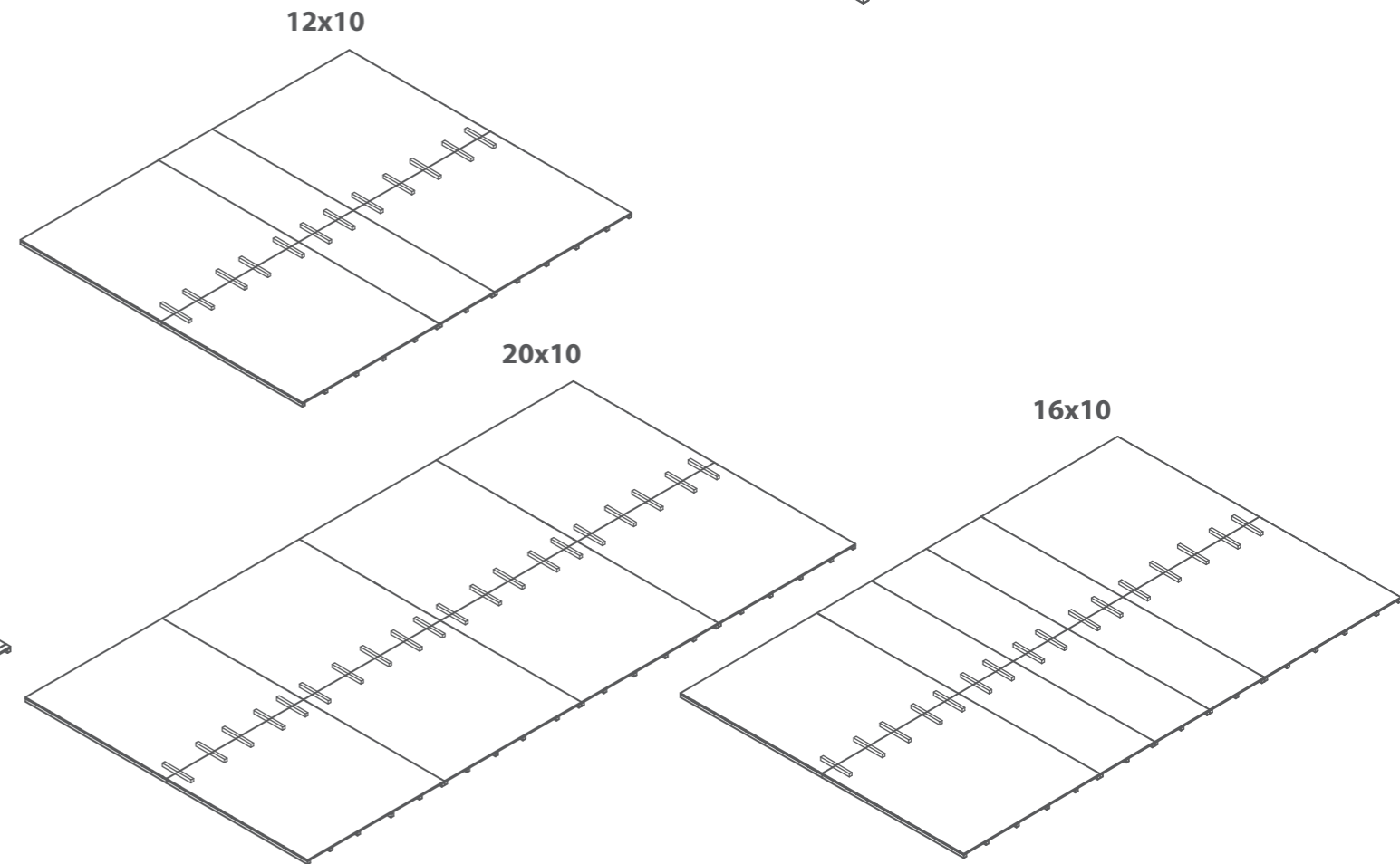
Step 2

Parts needed	Building Size						
	10x10	12x10	14x10	15x10	16x10	18x10	20x10
No.18	QTY 12	QTY 14	QTY 16	QTY 18	QTY 18	QTY 20	QTY 24
40mm Screw	QTY 48	QTY 56	QTY 64	QTY 72	QTY 72	QTY 80	QTY 96

Place the assembled floors along side each other as shown in the diagram, locate the Floor blocks (No.18) between the assembled floors, equally spaced. Secure the blocks to the floors using 4x40mm screws per block, going through the floor cladding and into the blocks below



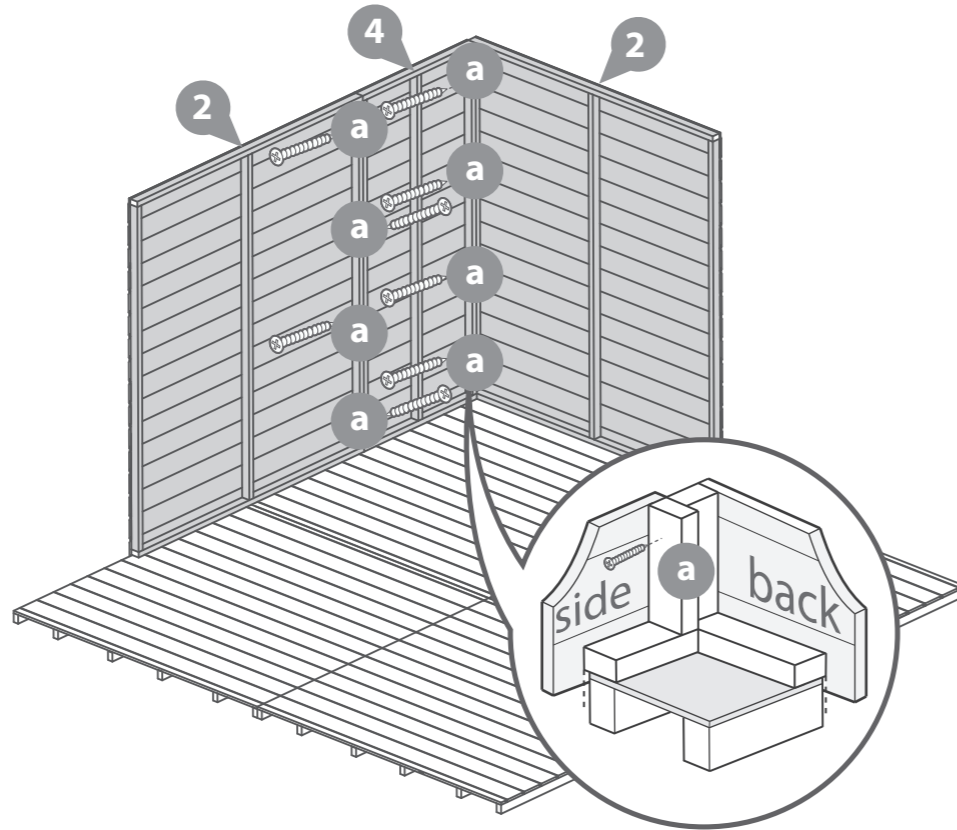
NOT ALL SIZE OPTIONS ARE SHOWN BELOW, THE ILLUSTRATIONS ARE EXAMPLES.



Step 3

Parts needed	Building Size
No.2	QTY 2
No.4	QTY 1
50mm Screw	QTY 8

****Please note: Panels No.1/ No.2/ No.3/ No.4/ No.36/ No.40 are interchangeable and can be positioned in a variety of configurations. Decide which works best before assembly****

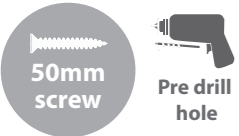


Locate the Plain Panel (No.2) and the Small plain panel (No.4) onto the floor. Fix the corners of the assembled back plain Panels with 50mm screws as shown in diagram.

Locate the Plain Panel (No. 2) onto the floor. Fix together using 4x50mm screws in an alternating pattern

Do not secure the building to the floor until the roof is fitted

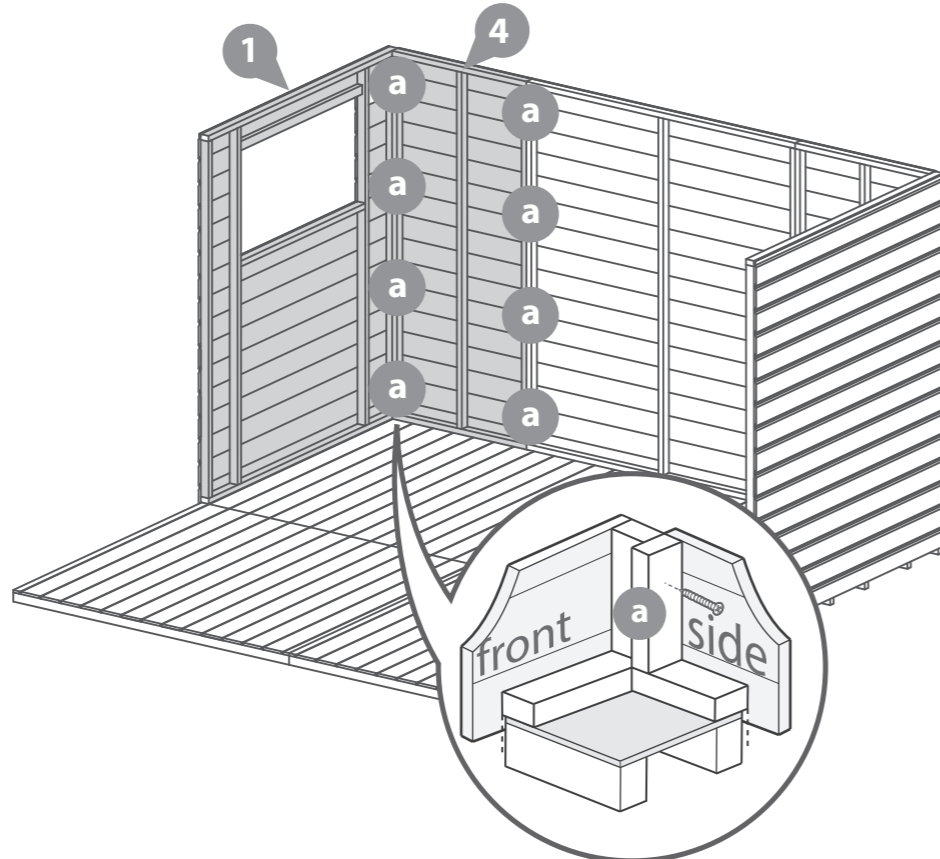
Position the panels so there is equal spacing between the floor and cladding on all sides



Step 4

Parts needed	Building Size
No.1	QTY 1
No.4	QTY 1
50mm Screw	QTY 8

****Please note: Panels No.1/ No.2/ No.3/ No.4/ No.36/ No.40 are interchangeable and can be positioned in a variety of configurations. Decide which works best before assembly****

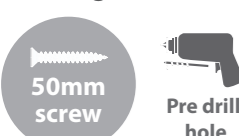


Locate the Small Plain Panel (No. 4) onto the floor. Fix together using 4x50mm screws in an alternating pattern.

Locate the Window Panel (No.1) onto the floor. Fix the corners of the assembled back plain Panels with 50mm screws as shown in diagram.

Do not secure the building to the floor until the roof is fitted

Position the panels so there is equal spacing between the floor and cladding on all sides



Step 5

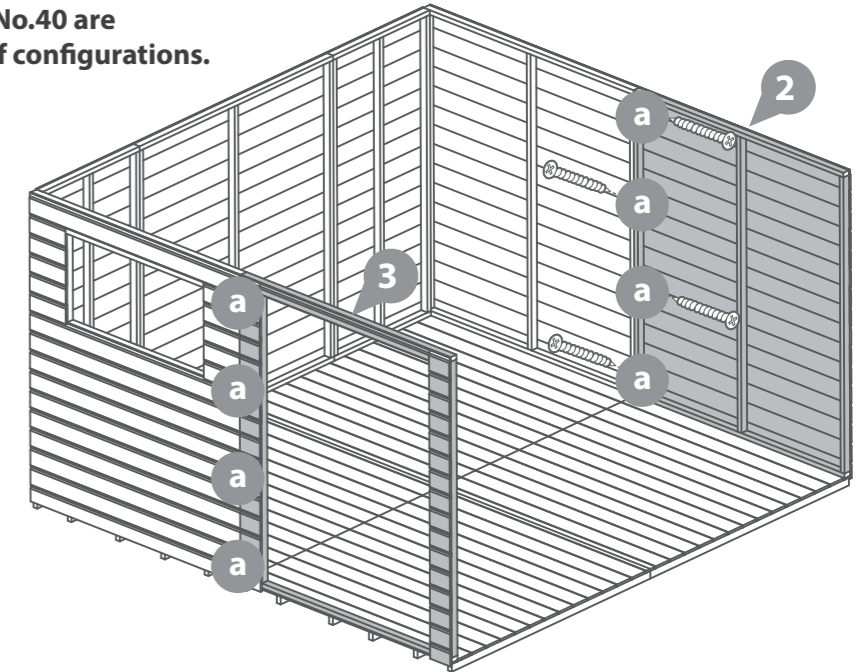
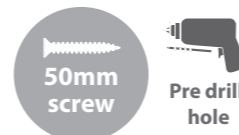
Parts needed	Building Size						
	10x10	12x10	14x10	15x10	16x10	18x10	20x10
No.1	QTY 1	QTY 1	QTY 1	QTY 2	QTY 1	QTY 1	QTY 2
No.2	QTY 1	QTY 1	QTY 1	QTY 2	QTY 1	QTY 1	QTY 3
No.3	QTY 1	QTY 1	QTY 1	QTY 1	QTY 1	QTY 1	QTY 1
No.36		QTY 2	QTY 4		QTY 6	QTY 8	
No.40							QTY 1
50mm Screw	QTY 8	QTY 16	QTY 24	QTY 16	QTY 32	QTY 40	QTY 24

****Please note: Panels No.1/ No.2/ No.3/ No.4/ No.36/ No.40 are interchangeable and can be positioned in a variety of configurations. Decide which works best before assembly****

Locate the Panels (No.1/No.2/No.3/No.36/No.40) onto the floor. Fix the Panels together with 4x50mm screws per join in an alternating pattern as shown in diagram.

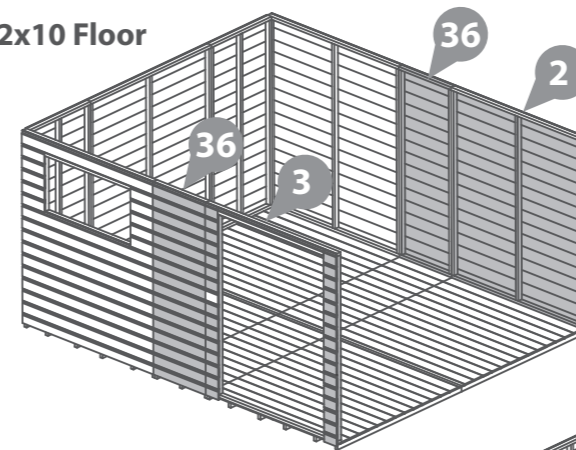
Do not secure the building to the floor until the roof is fitted

Position the panels so there is equal spacing between the floor and cladding on all sides

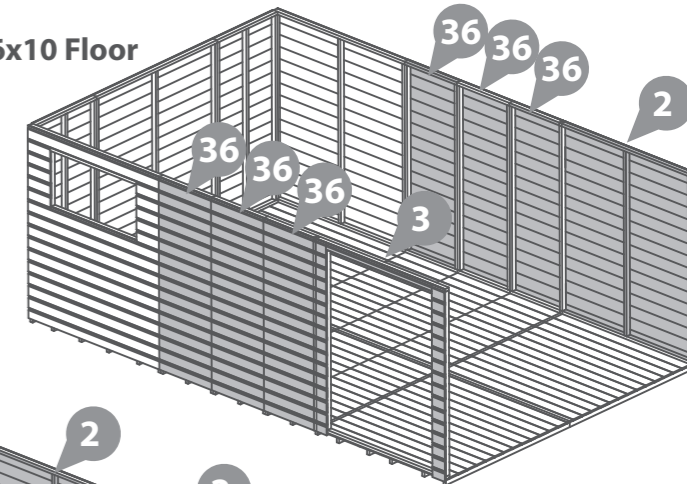


NOT ALL SIZE OPTIONS ARE SHOWN BELOW, THE ILLUSTRATIONS ARE EXAMPLES.

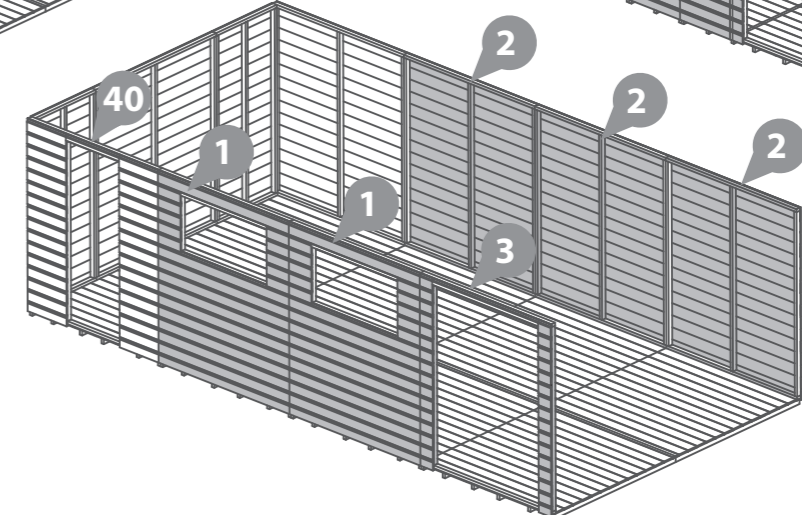
12x10 Floor



16x10 Floor



20x10 Floor



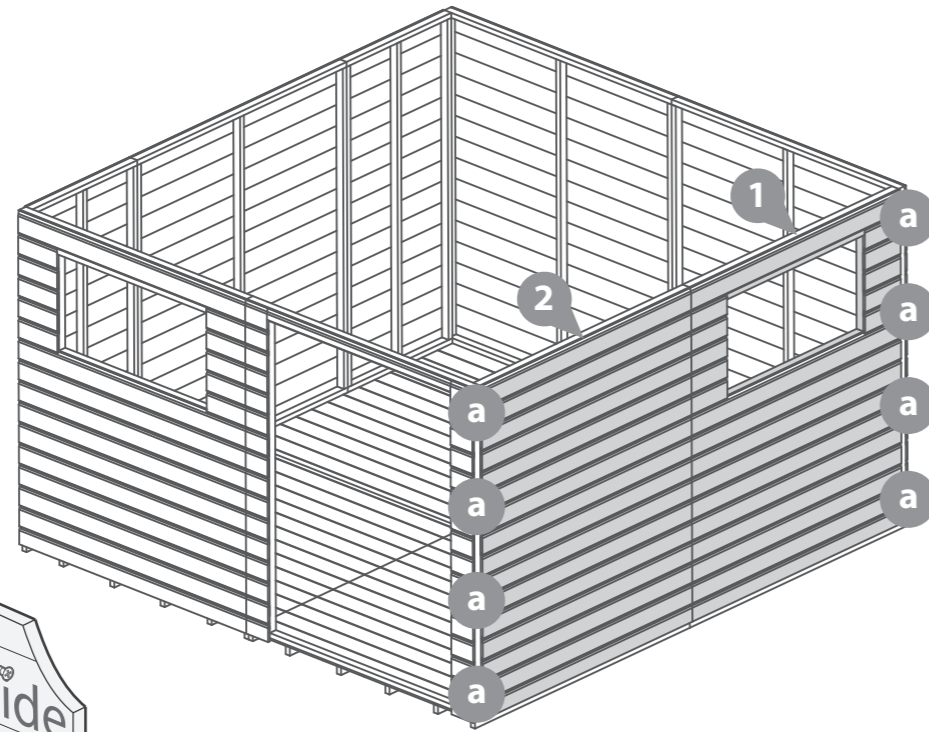
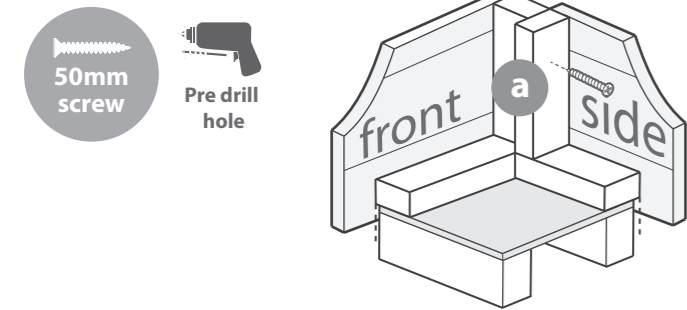
Step 6

Parts needed	Building Size
No.1	All Sizes
No.2	QTY 1
50mm Screw	QTY 12

Locate the Window Panel (**No.1**) and the Plain Panel (**No.4**) onto the floor. Fix the Panels together at the joins using 4x50mm screws per join

Do not secure the building to the floor until the roof is fitted

Position the panels so there is equal spacing between the floor and cladding on all sides

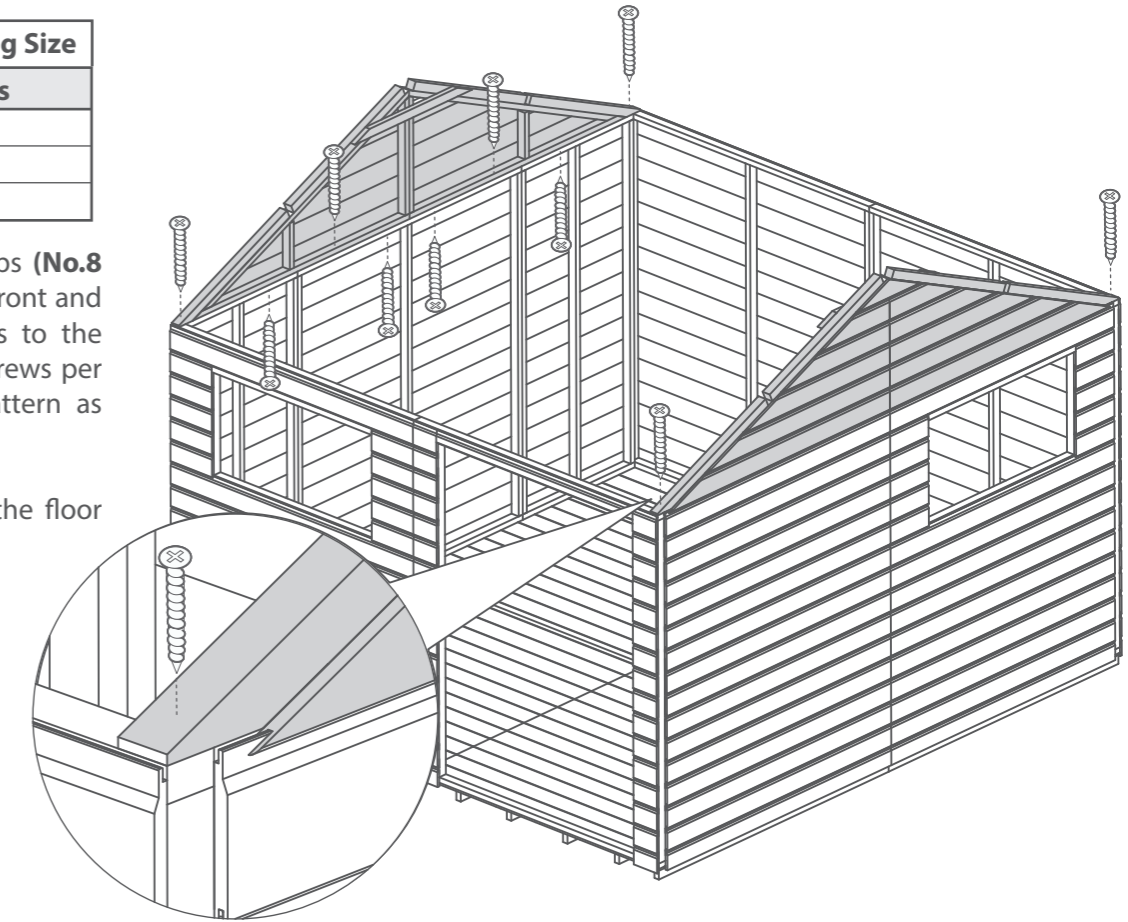


Step 8

Parts needed	Building Size
No.8	All Sizes
No.9	QTY 2
50mm Screw	QTY 16

Locate the Assembled Gable tops (**No.8 and No.9**) onto the tops of the front and back panels. Fix the gable tops to the panels below using 8x50mm screws per Gable top in an alternating pattern as shown in the diagram

Do not secure the building to the floor until the roof is fitted



Step 7

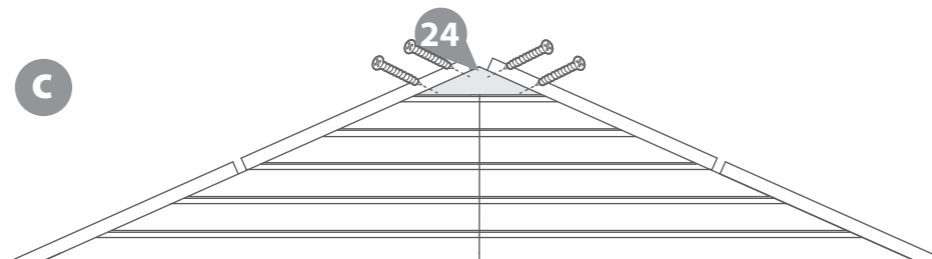
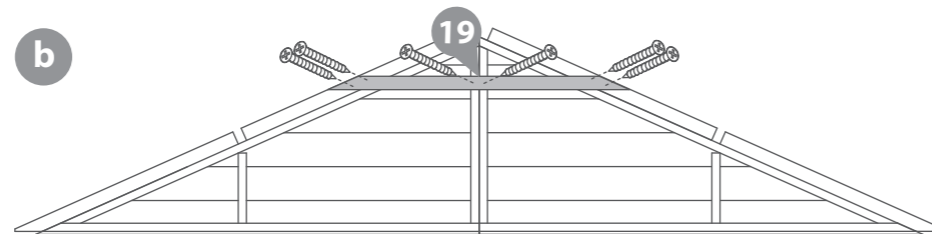
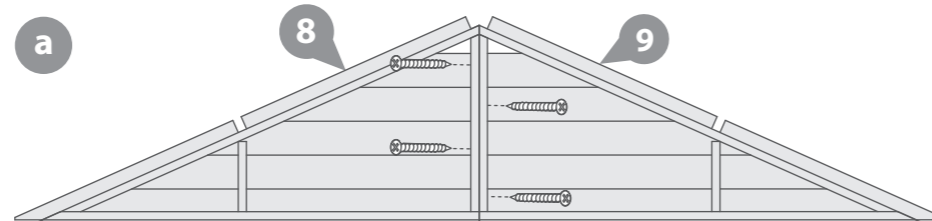
Parts needed	Building Size
No.8	All Sizes
No.9	QTY 2
No.19	QTY 2
No.24	QTY 1
30mm Screw	QTY 8
50mm Screw	QTY 20

a Lay the Gable tops (**No.8 and No.9**) along side each other as show in the diagram, secure together using 4x50mm screws in an alternating pattern

b Secure the Gable support (**No.19**) to the gable tops, ensuring it sits flush with the framing, secure using 6x50mm screws going through the support and into the gable framing behind.

c Finally secure Gable Point (**No.24**) to the top of the gables, secure using 4x30mm screws going through the cladding and into the gable framing

Repeat Step to create a second assembled gable top



Step 9

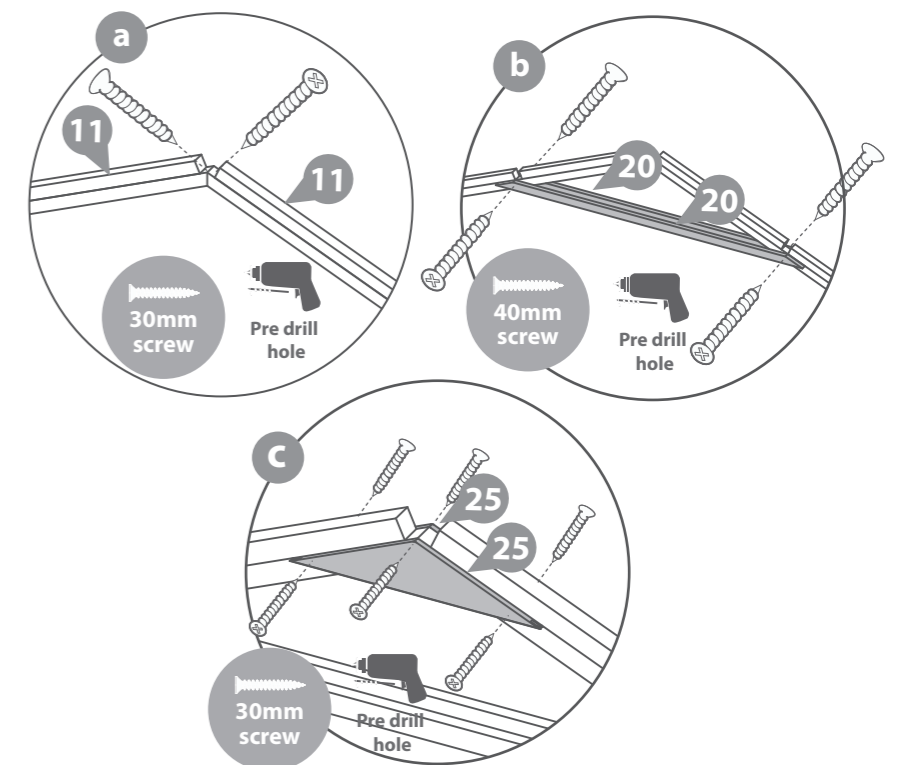
Parts needed	Building Size						
	10x10	12x10	14x10	15x10	16x10	18x10	20x10
No.11	QTY 2	QTY 4	QTY 6	QTY 4	QTY 8	QTY 10	QTY 6
No.20	QTY 2	QTY 4	QTY 6	QTY 4	QTY 8	QTY 10	QTY 6
No.25	QTY 2	QTY 4	QTY 6	QTY 4	QTY 8	QTY 10	QTY 6
30mm Screw	QTY 8	QTY 16	QTY 24	QTY 16	QTY 32	QTY 40	QTY 24
40mm Screw	QTY 4	QTY 8	QTY 12	QTY 8	QTY 16	QTY 20	QTY 12

a To construct the truss, secure the Truss supports (**No. 11**) together as shown with 2x30mm screws.

b Secure the Truss Brace (**No. 20**) to both sides of the Truss support making sure to stagger the 4x40mm screws.

c Finally secure the Truss support triangle (**No. 25**) to both sides with 3x30mm screws

Repeat Step to create the remaining trusses required for each size.



Step 10

Parts needed	Building Size						
	10x10	12x10	14x10	15x10	16x10	18x10	20x10
Assembled Truss	QTY 1	QTY 2	QTY 3	QTY 2	QTY 4	QTY 5	QTY 3
No.23	QTY 2	QTY 4	QTY 6	QTY 4	QTY 8	QTY 10	QTY 6
70mm Screw	QTY 4	QTY 8	QTY 12	QTY 8	QTY 16	QTY 20	QTY 12
100mm Screw	QTY 2	QTY 4	QTY 6	QTY 4	QTY 8	QTY 10	QTY 6

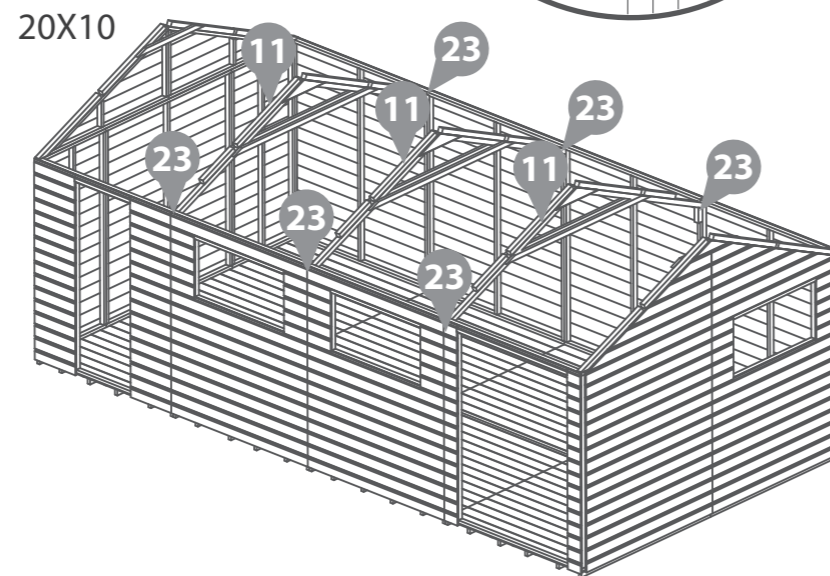
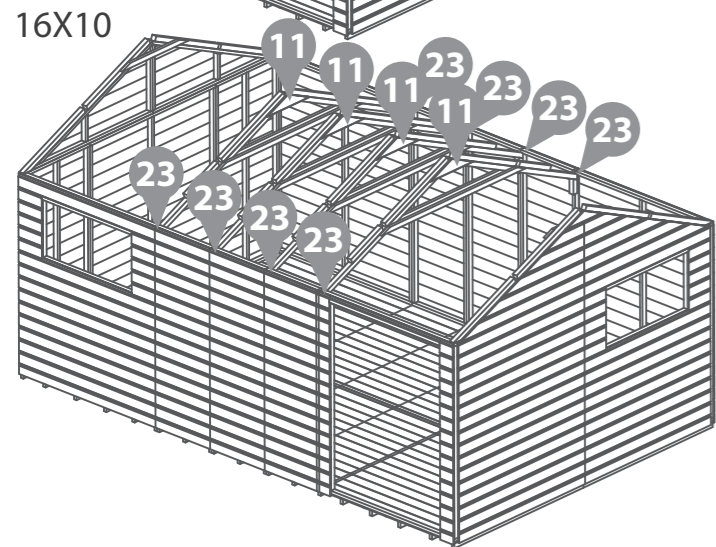
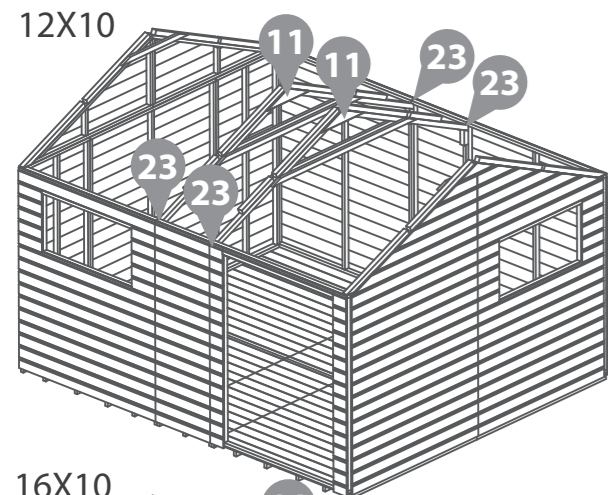
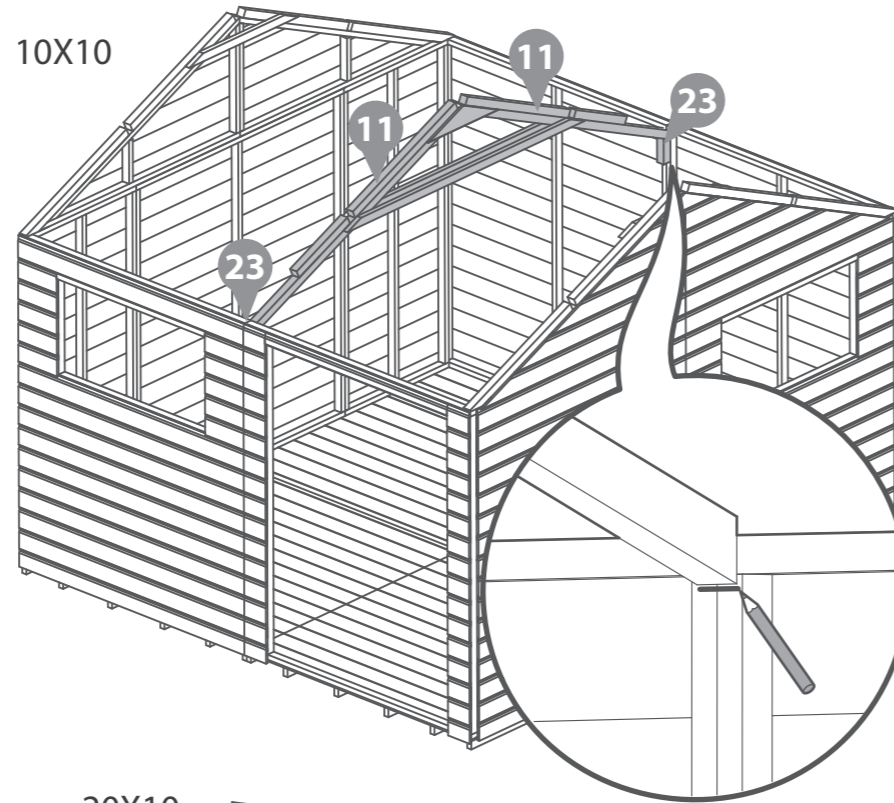
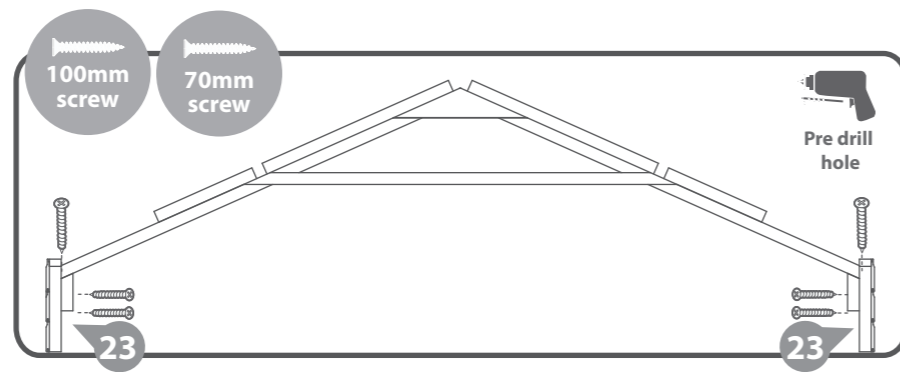
Place an assembled Truss central to where two panels join. Align the top of the truss one inch (25mm) below the top of the sides as shown in the diagram.

HINT - Use a piece from the fixing kit as a guide.

Pencil mark the truss position and remove truss.

Place the truss blocks (No. 23) up to the pencil mark and fix using 2x70mm screws per block.

Place the truss back into position on top of the support block and secure using 100mm screw each side from the top down through the truss and into the block.



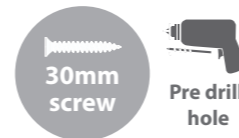
Step 11

Parts needed	Building Size						
	10x10	12x10	14x10	15x10	16x10	18x10	20x10
No.7	QTY 2	QTY 2	QTY 2	QTY 2	QTY 2	QTY 2	QTY 2
No.28	QTY 1	QTY 2	QTY 3	QTY 2	QTY 4	QTY 5	QTY 3
No.38		QTY 1	QTY 2		QTY 3	QTY 4	
No.39				QTY 1			QTY 2
30mm Screw	QTY 10	QTY 20	QTY 30	QTY 20	QTY 40	QTY 50	QTY 30

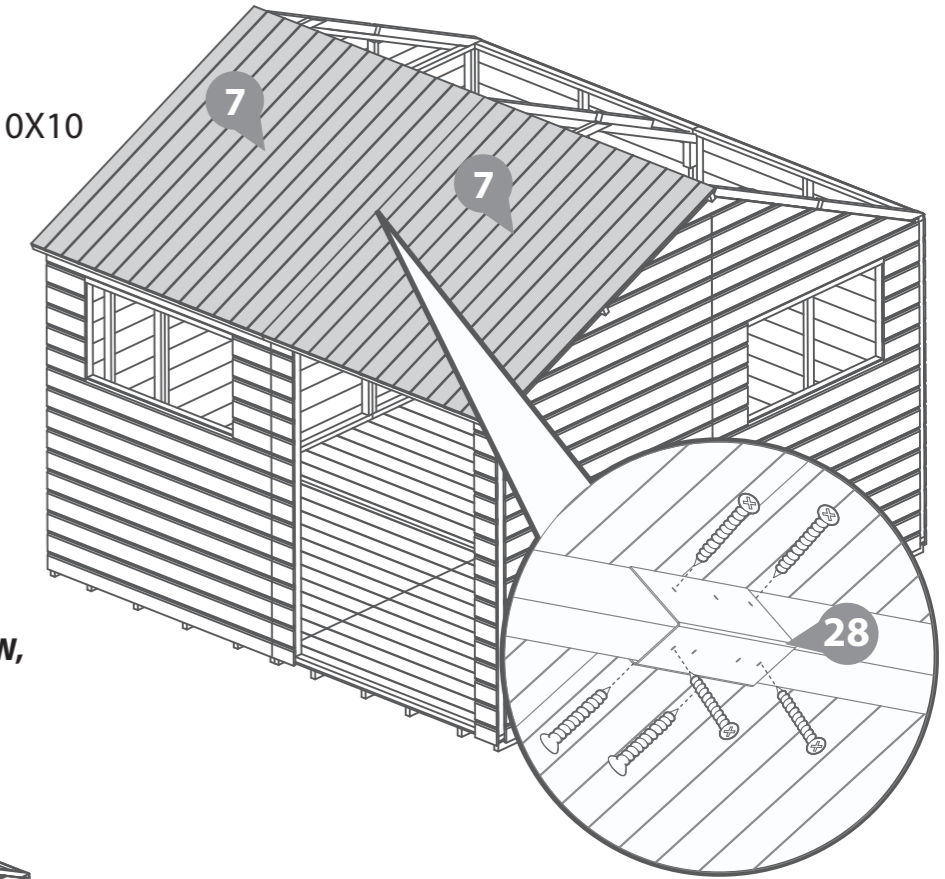
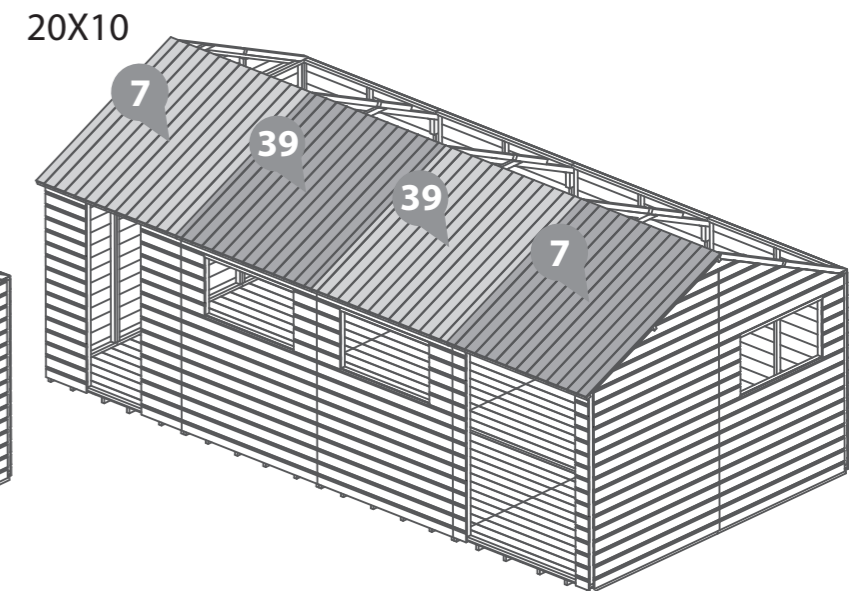
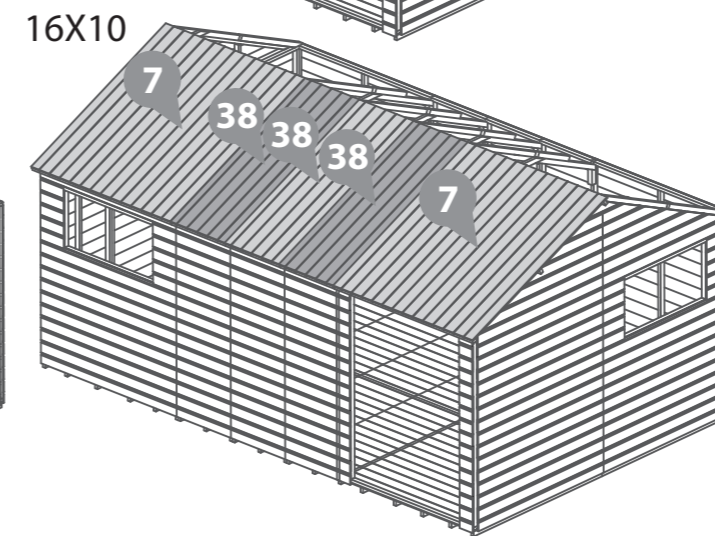
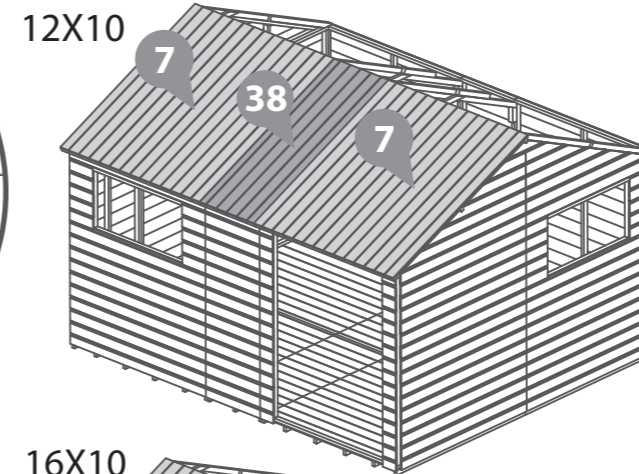
Place the roof panels (No. 7, No. 38 and No. 39) on top of the building and truss making sure the roof panels sit into the gables and truss. Do not fix the roof panels 10X10 until all roof panels are in place.

Ensure there is an equal amount of roof overhang on either side of the building.

Secure the roof panels (No. 7, No. 38 & No. 39) together using the metal U channel (No. 28) and 10x30mm screws per U channel.



NOT ALL SIZE OPTIONS ARE SHOWN BELOW, THE ILLUSTRATIONS ARE EXAMPLES.



Step 12

Parts needed	Building Size						
	10x10	12x10	14x10	15x10	16x10	18x10	20x10
No.7	QTY 2	QTY 2	QTY 2	QTY 2	QTY 2	QTY 2	QTY 2
No.28	QTY 1	QTY 2	QTY 3	QTY 2	QTY 4	QTY 5	QTY 3
No.38		QTY 1	QTY 2		QTY 3	QTY 4	
No.39				QTY 1			QTY 2
30mm Screw	QTY 10	QTY 20	QTY 30	QTY 20	QTY 40	QTY 50	QTY 30

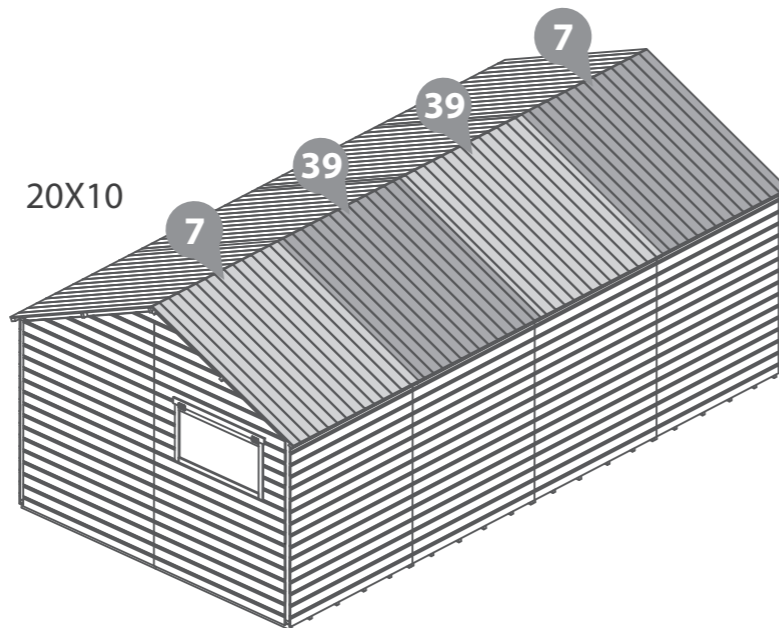
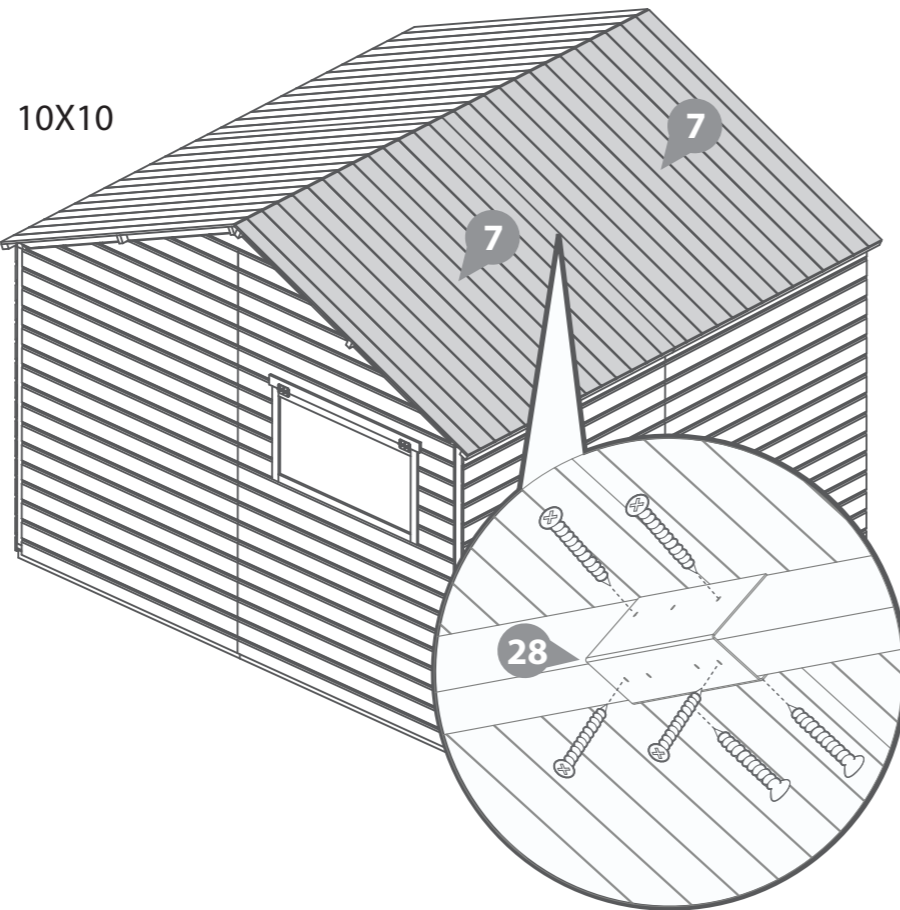
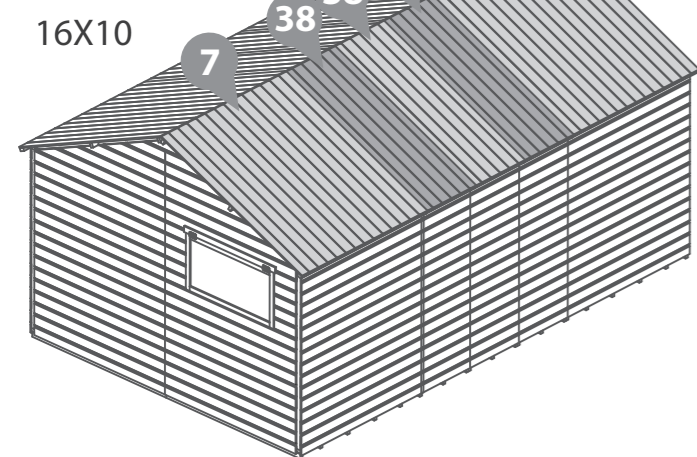
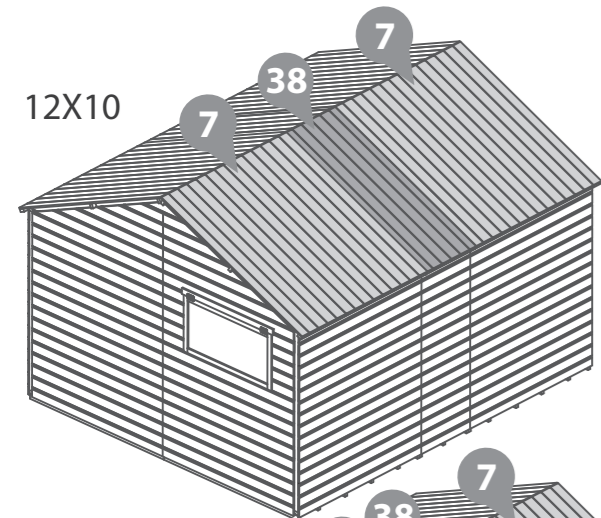
Place the roof panels (No. 7, No. 38 & No. 39) on top of the building and truss making sure the roof panels sit into the gables and truss. Do not fix the roof panels until all roof panels are in place.

Ensure there is an equal amount of roof overhang on either side of the building.

Secure the roof panels (No. 7, No. 38 & No. 39) together using the metal U channel (No. 28) and 10x30mm screws per U channel.



NOT ALL SIZE OPTIONS ARE SHOWN BELOW, THE ILLUSTRATIONS ARE EXAMPLES.



Step 13

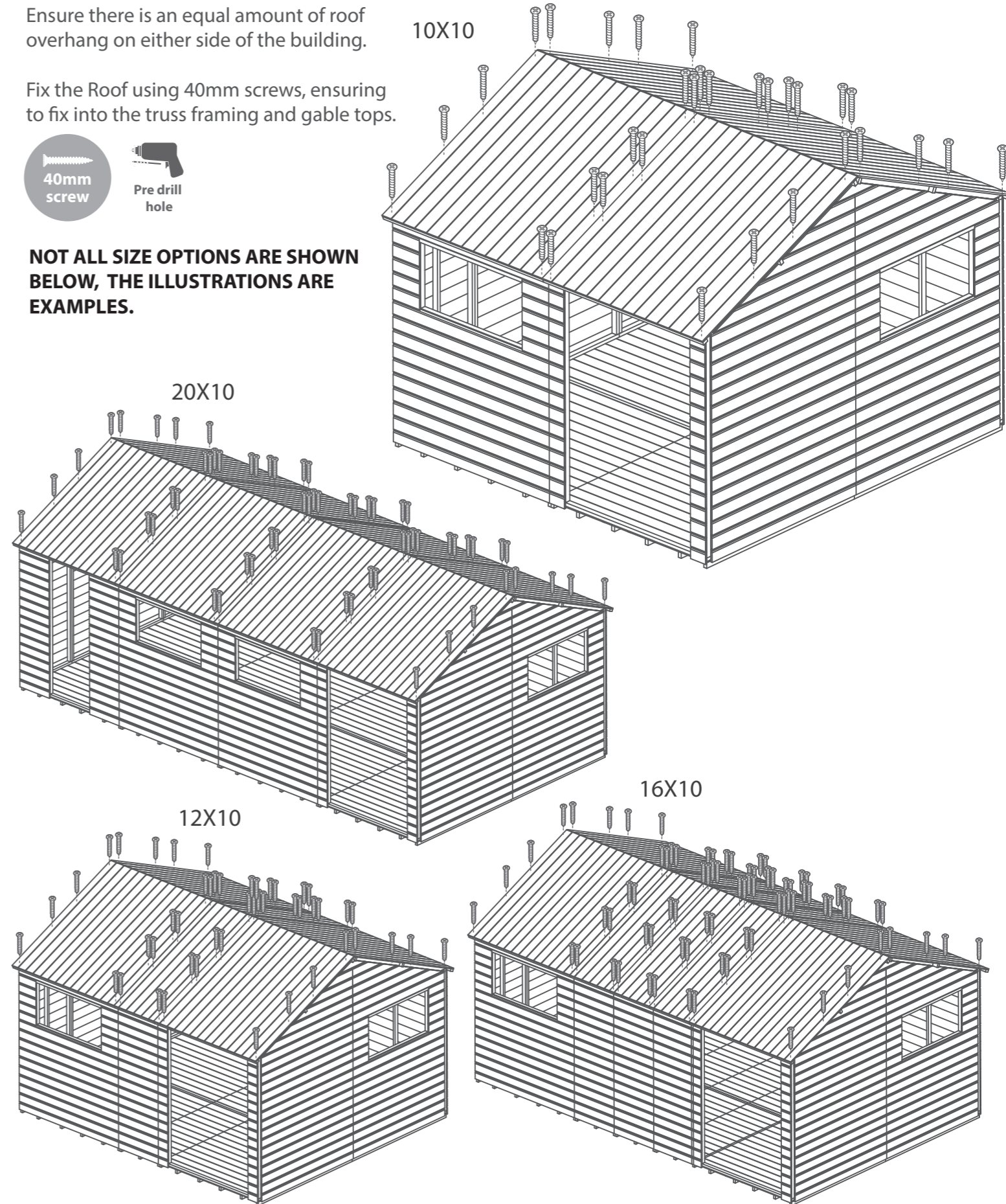
Parts needed	Building Size						
	10x10	12x10	14x10	15x10	16x10	18x10	20x10
40mm Screw	QTY 32	QTY 48	QTY 64	QTY 48	QTY 80	QTY 96	QTY 64

Ensure there is an equal amount of roof overhang on either side of the building.

Fix the Roof using 40mm screws, ensuring to fix into the truss framing and gable tops.



NOT ALL SIZE OPTIONS ARE SHOWN BELOW, THE ILLUSTRATIONS ARE EXAMPLES.



Step 14

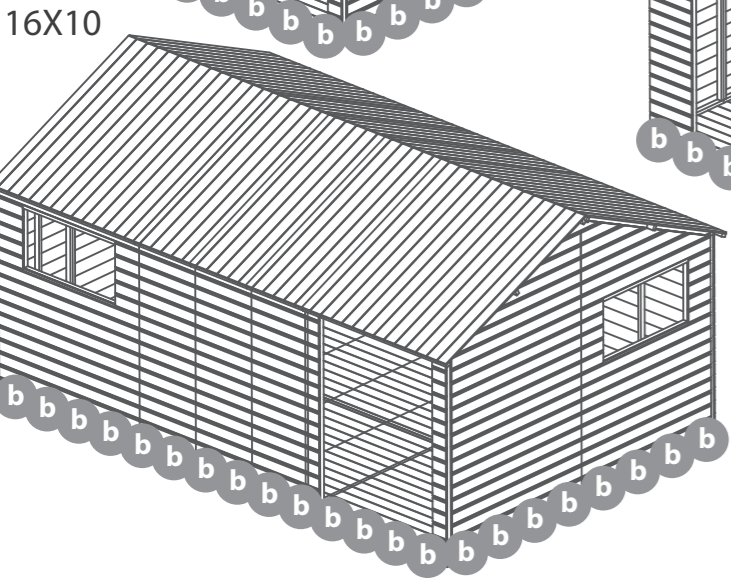
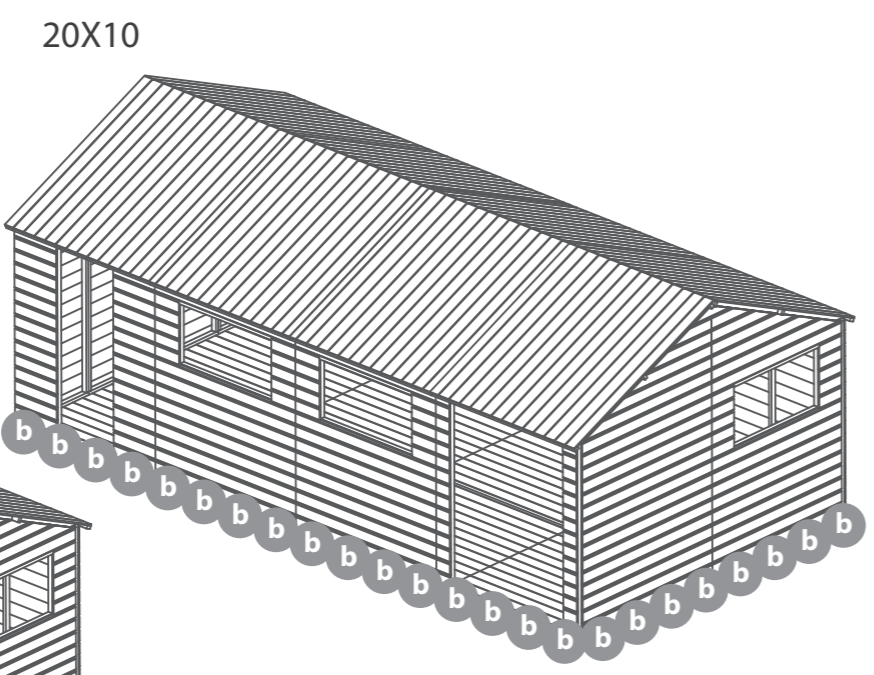
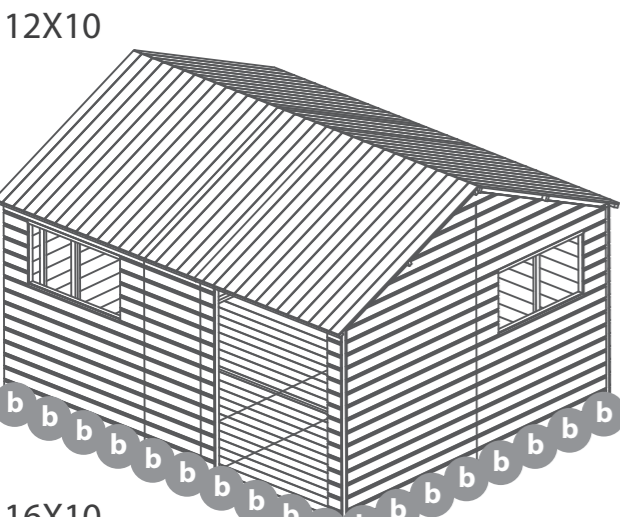
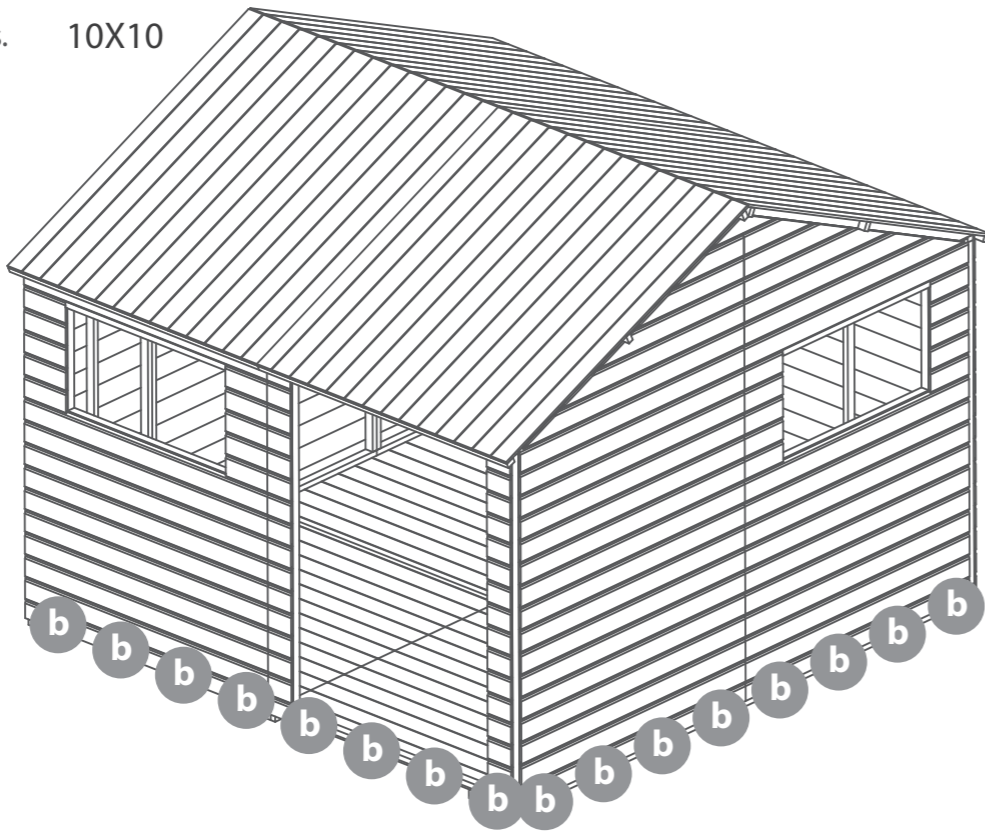
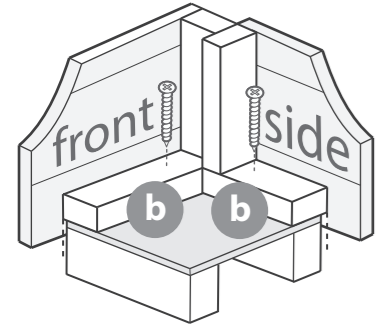
Parts needed	Building Size						
	10x10	12x10	14x10	15x10	16x10	18x10	20x10
50mm Screw	QTY 32	QTY 36	QTY 40	QTY 40	QTY 44	QTY 48	QTY 48

Once the roof is fixed attach the building to the floor with 50 mm screws.

Ensure the screws go through the panel into the floor framing.

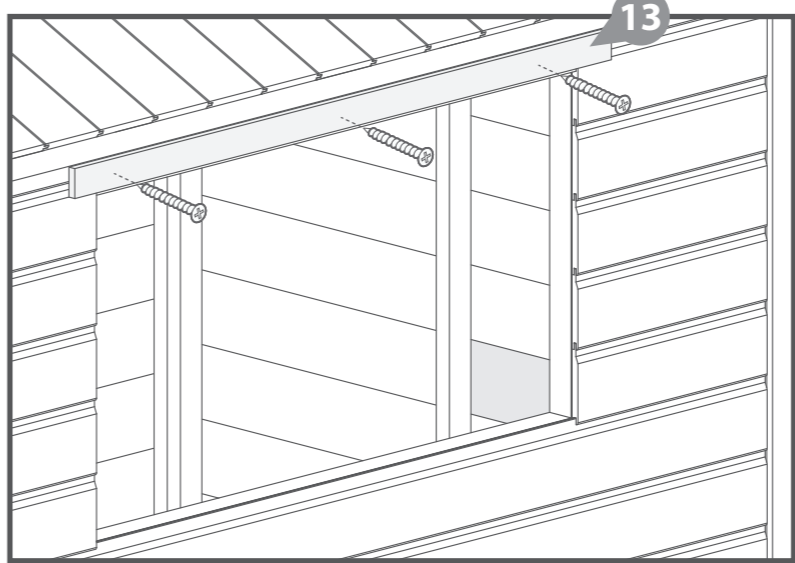


NOT ALL SIZE OPTIONS ARE SHOWN BELOW, THE ILLUSTRATIONS ARE EXAMPLES.

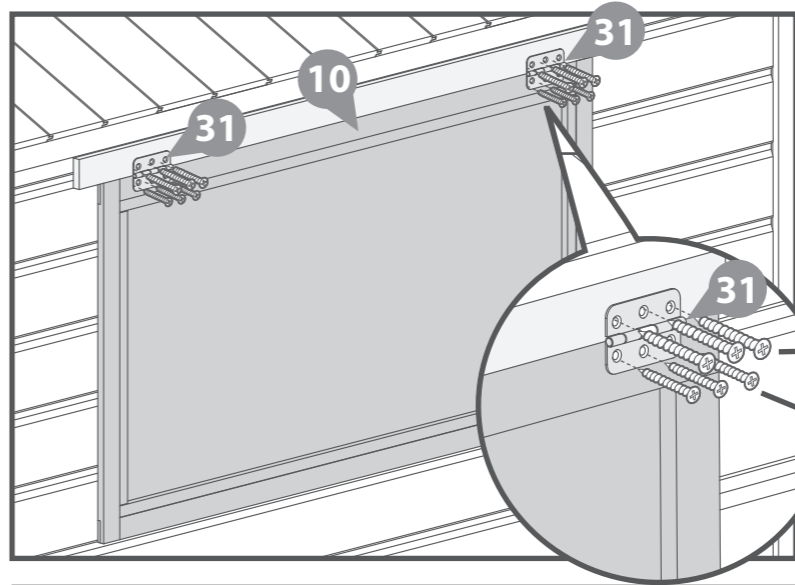


Step 15

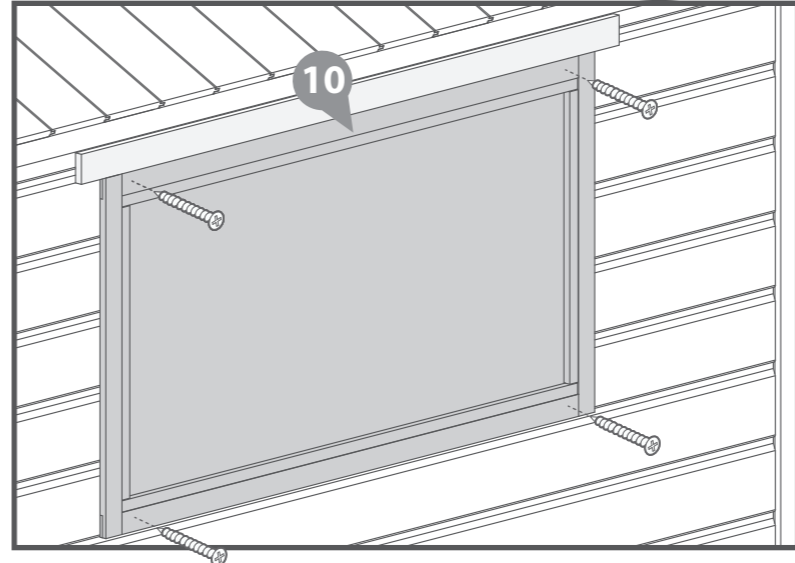
Parts needed	Building Size						
	10x10	12x10	14x10	15x10	16x10	18x10	20x10
No.10	QTY 2	QTY 2	QTY 2	QTY 3	QTY 2	QTY 2	QTY 3
No.13	QTY 2	QTY 2	QTY 2	QTY 3	QTY 2	QTY 2	QTY 3
No.31	QTY 4	QTY 4	QTY 4	QTY 6	QTY 4	QTY 4	QTY 6
16mm Screw	QTY 12	QTY 12	QTY 12	QTY 18	QTY 12	QTY 12	QTY 18
30mm Screw	QTY 18	QTY 18	QTY 18	QTY 27	QTY 18	QTY 18	QTY 27



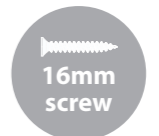
Place the Window Strip (No. 13) 11mm above the window gap in the window panel and fix with 3x30mm screws per strip.



Opening Window
If you would like the windows to be opening use the Butt Hinges (No. 31) to attach to the window strip and the Window (No. 10) together. Use 30mm screws to fix the butt hinge to the Window Strip and 16mm screws to fix it to the Window.



Fixed Window
If you want to fix the windows, instead of fixing butt hinges to the opening window, use 4x30mm screws to attach the window (No. 10) to the window side panel as shown in the diagram.

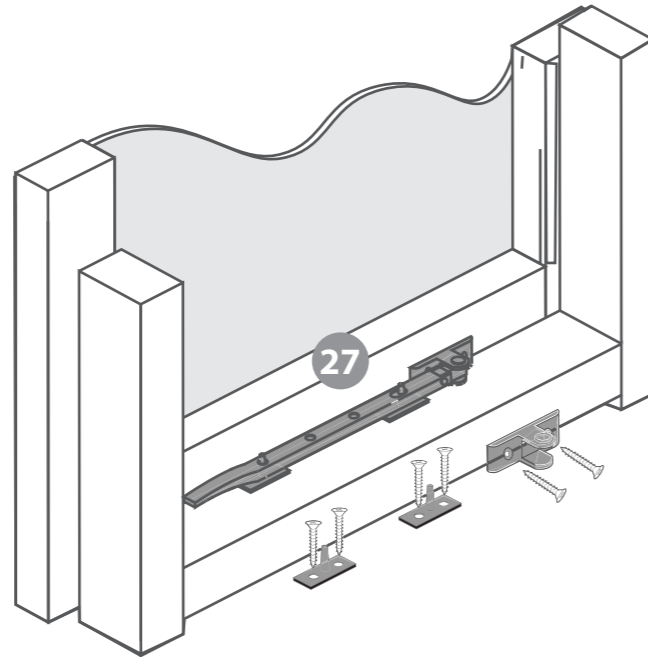


Step 16

Parts needed	Building Size						
	10x10	12x10	14x10	15x10	16x10	18x10	20x10
No.27	QTY 2	QTY 2	QTY 2	QTY 3	QTY 2	QTY 2	QTY 3
20mm Screws	QTY 12	QTY 12	QTY 12	QTY 18	QTY 12	QTY 12	QTY 18

Fix the Casement Stay (No. 27) to the opening window then align the fixings onto the window panel frame.

Ensure the casement stay fits into fixings when closed before screwing them down using 6x20mm screws per casement stay.

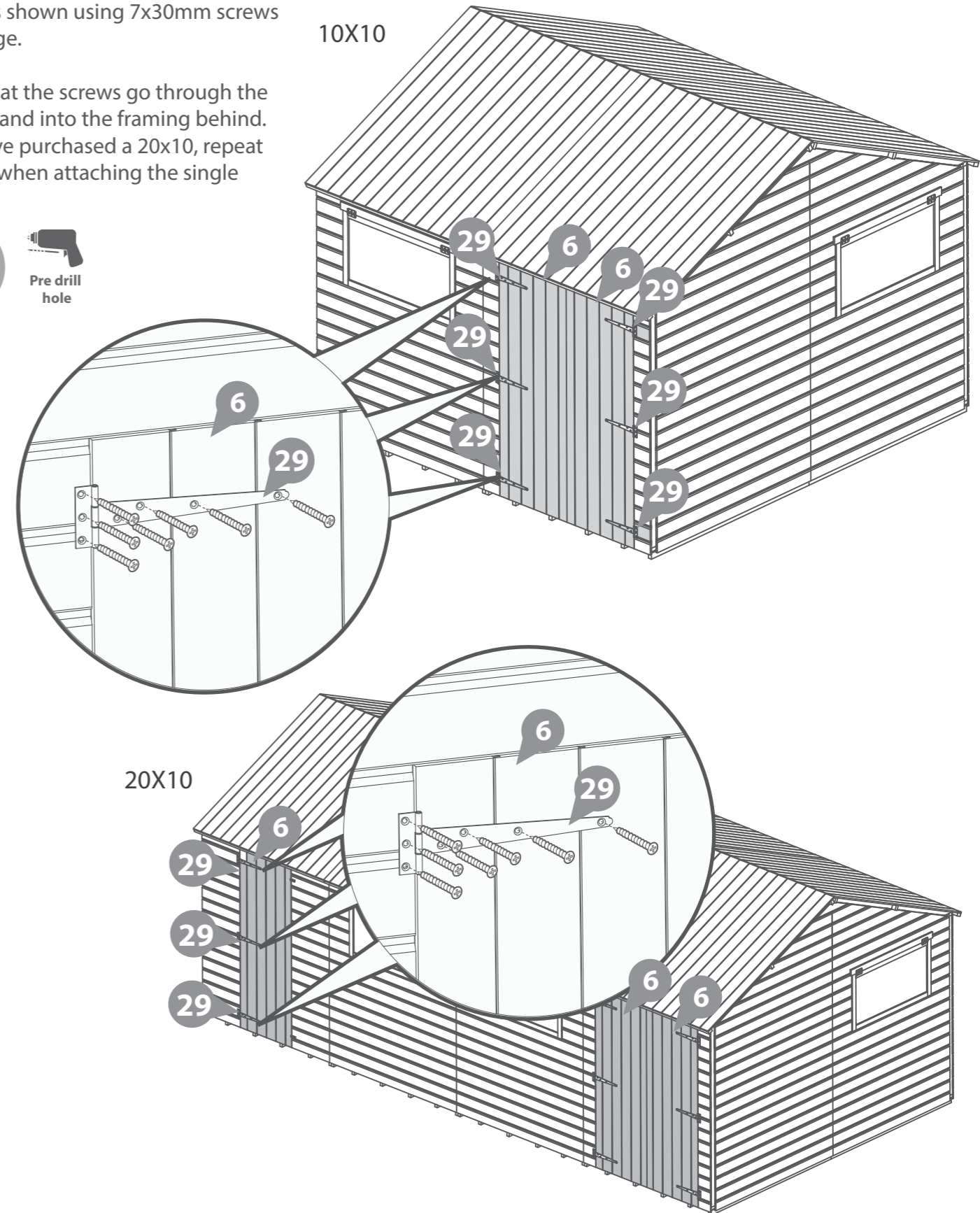
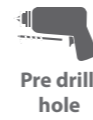


Step 17

Parts needed	Building Size						
	10x10	12x10	14x10	15x10	16x10	18x10	20x10
No.6	QTY 2	QTY 2	QTY 2	QTY 2	QTY 2	QTY 2	QTY 3
No.29	QTY 6	QTY 6	QTY 6	QTY 6	QTY 6	QTY 6	QTY 9
30mm Screw	QTY 42	QTY 42	QTY 42	QTY 42	QTY 42	QTY 42	QTY 63

Fix the T Hinges (No. 28) onto the doors (No. 9) as shown using 7x30mm screws per T hinge.

Ensure that the screws go through the cladding and into the framing behind. If you have purchased a 20x10, repeat this step when attaching the single door.



Step 18

Parts needed	Building Size						
	10x10	12x10	14x10	15x10	16x10	18x10	20x10
No.12	QTY 2	QTY 2	QTY 2	QTY 2	QTY 2	QTY 2	QTY 4
No.22	QTY 1	QTY 1	QTY 1	QTY 1	QTY 1	QTY 1	QTY 1
No.21	QTY 2	QTY 2	QTY 2	QTY 1	QTY 1	QTY 2	QTY 3
30mm Screw	QTY 16	QTY 16	QTY 16	QTY 16	QTY 16	QTY 16	QTY 26

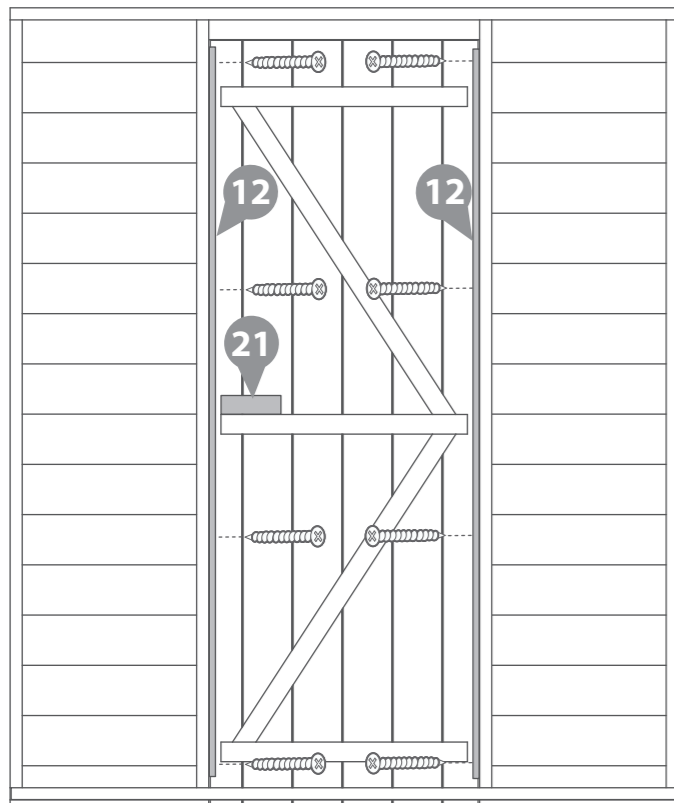
Place the Door Blocks (**No.21**) onto the top of the door framing, ensuring it is flush with the ends of the framing, secure using 2x30mm screws per block, going through the front of the door cladding and into the door block.

Locate the Door Cloaking Strip (**No.22**) between the door framing, ensuring it is equally spaced, secure to the secondary door using 4x30mm screws, going through the front of the door cladding and into the Door Cloaking Strip.

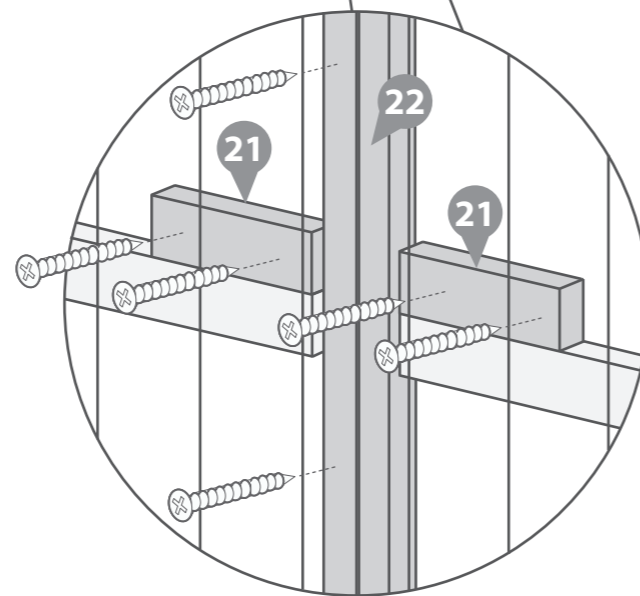
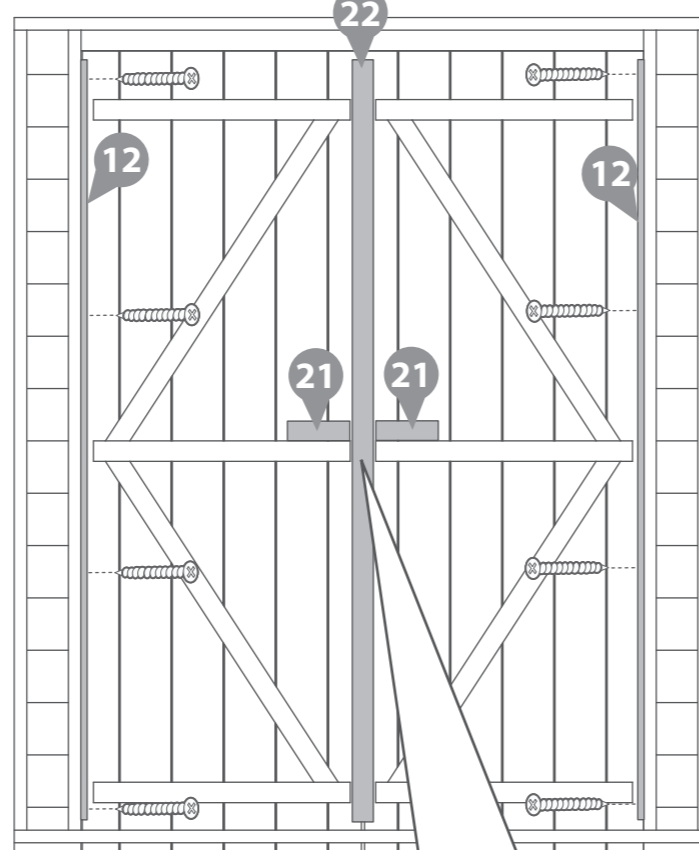
Locate the Door beading strips (**No.12**) between the door panel framing and the door framing, ensuring it is equally spaced, secure using 4x30mm screws per strip, ensuring to go through to the door panel framing



20X10



ALL BUILDINGS

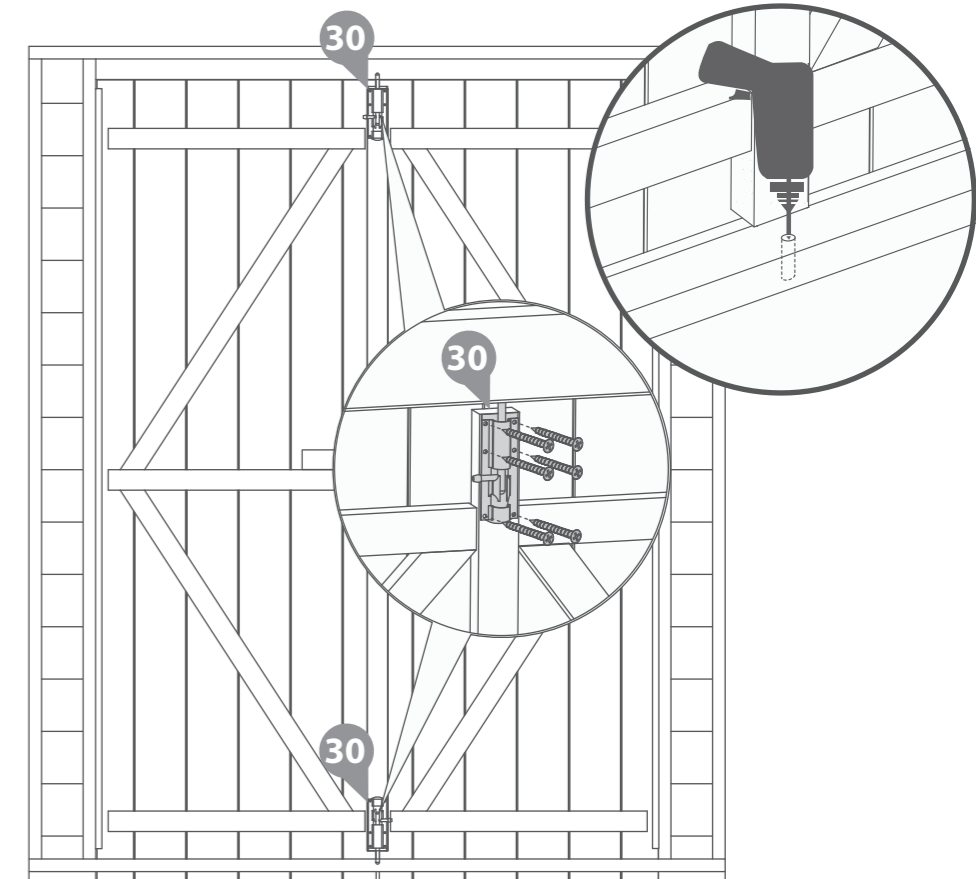
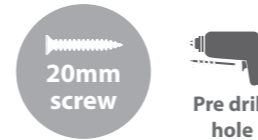


Step 19

Parts needed	Building Size
	All Sizes
No.30	QTY 2
20mm Screws	QTY 12

Align the tower bolts (**No. 30**) onto the door cloaking strip, secure the bolts to the top and bottom using 6x20mm screws per tower bolt.

Mark the position of the bolt & drill a hole above and below for the bolt to catch in to.



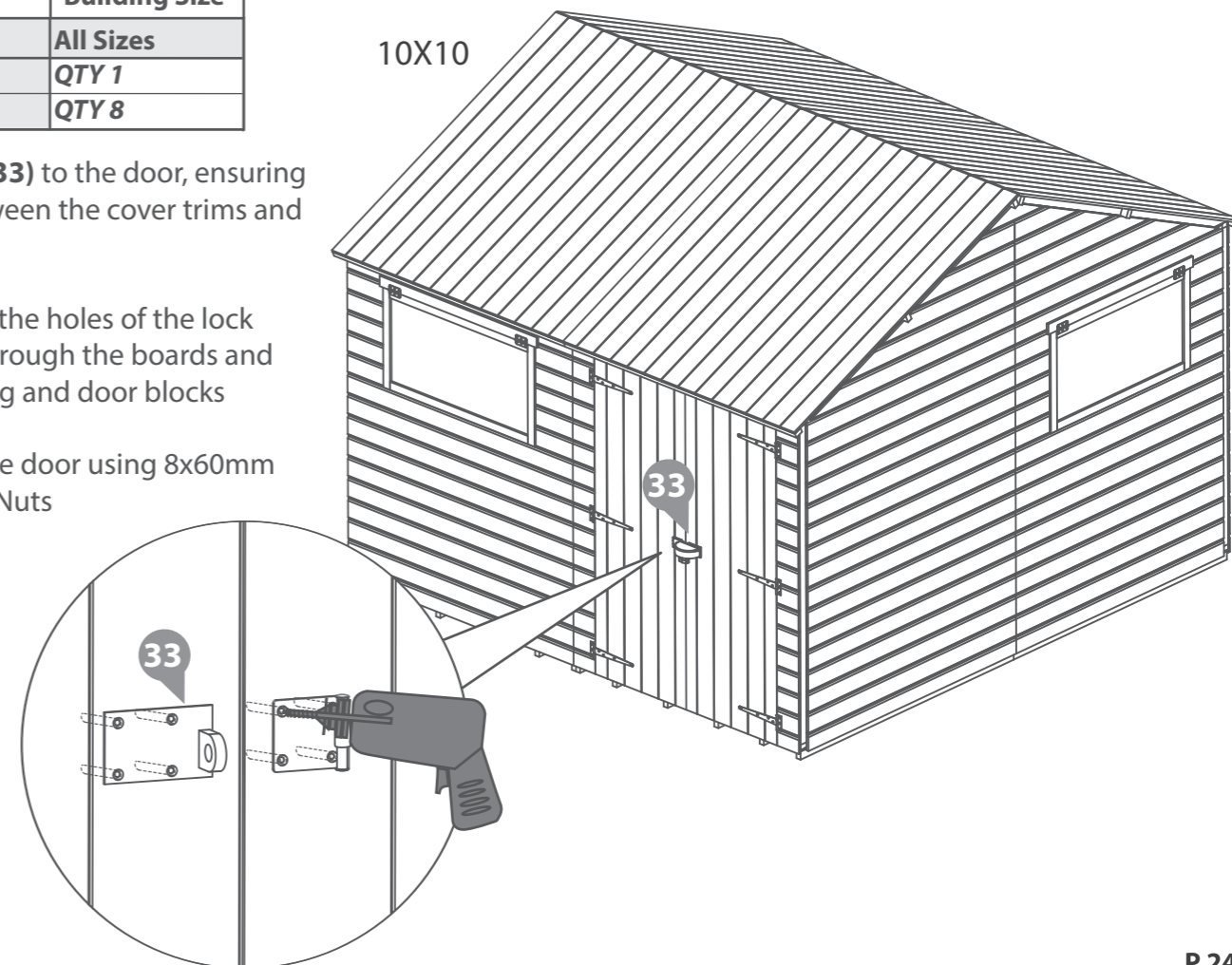
Step 20

Parts needed	Building Size
	All Sizes
No.33	QTY 1
60mm Bolts	QTY 8

Align the lock (**No.33**) to the door, ensuring equal spacing between the cover trims and across the doors.

Measure and mark the holes of the lock (**No.33**) and drill through the boards and through the framing and door blocks

Fix the lock onto the door using 8x60mm Carriage Bolts and Nuts



Step 21

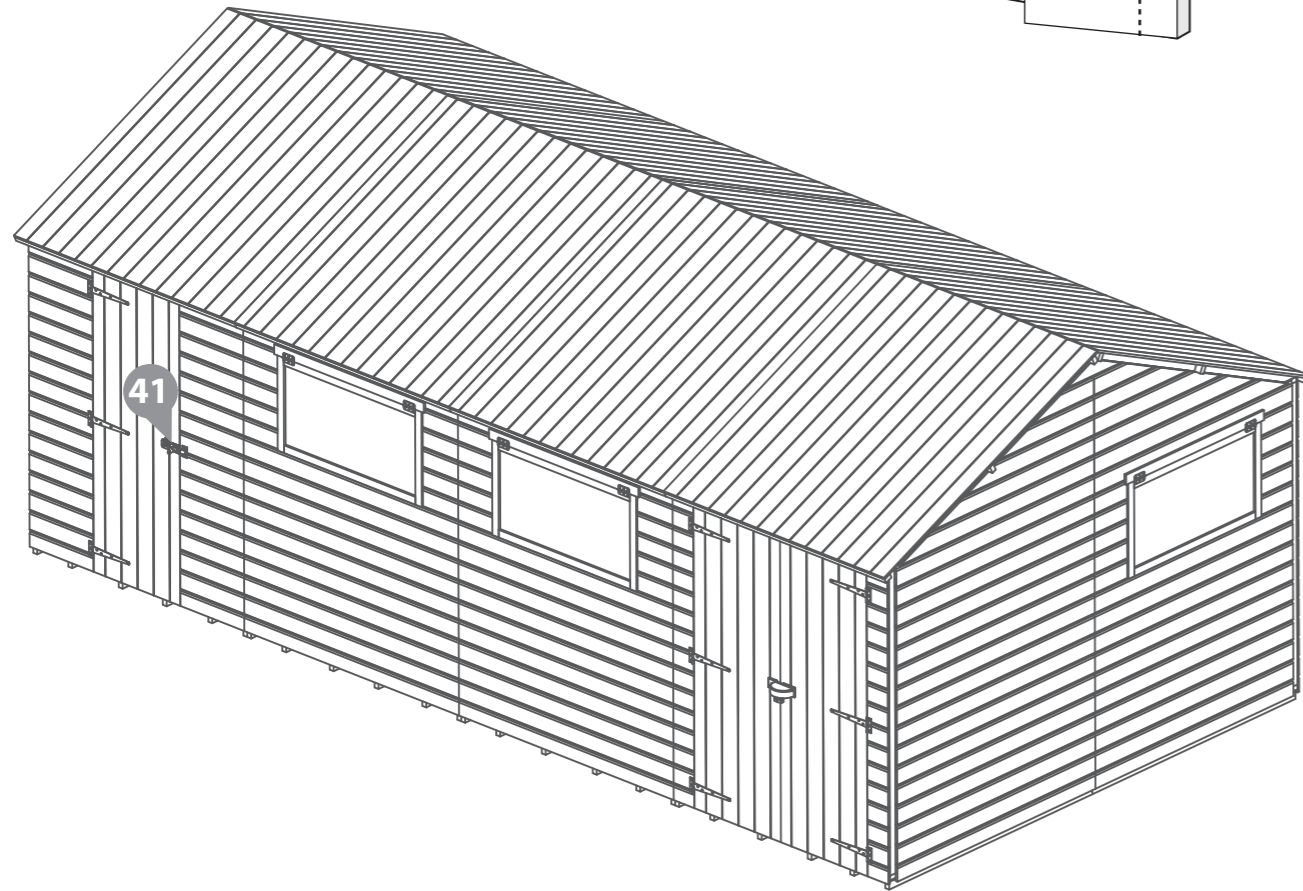
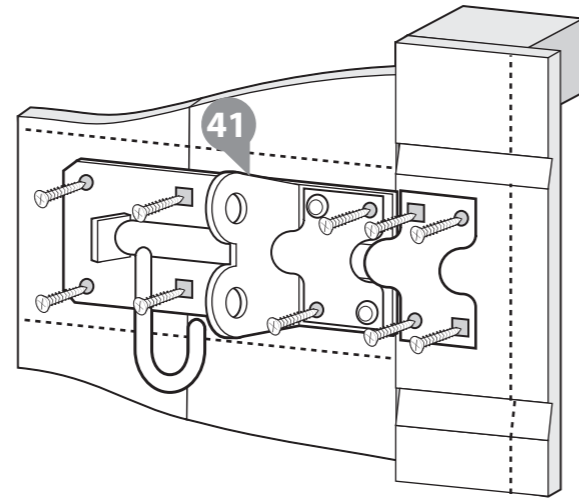
Building Size	
Parts needed	20x10 Only
No.41	QTY 1
30mm Screws	QTY 10

Fix the Pad Bolt (**No. 41**) to the side door with 6x30mm screws along the horizontal door brace.

Then fix the tower bolt retainer to the vertical door panel framing using 4x30mm screws.



20X10



Step 22

Parts needed	Building Size						
	10x10	12x10	14x10	15x10	16x10	18x10	20x10
No.35	QTY 2	QTY 2	QTY 2	QTY 2	QTY 2	QTY 2	QTY 4
20mm Screws	QTY 2	QTY 2	QTY 2	QTY 2	QTY 2	QTY 2	QTY 4

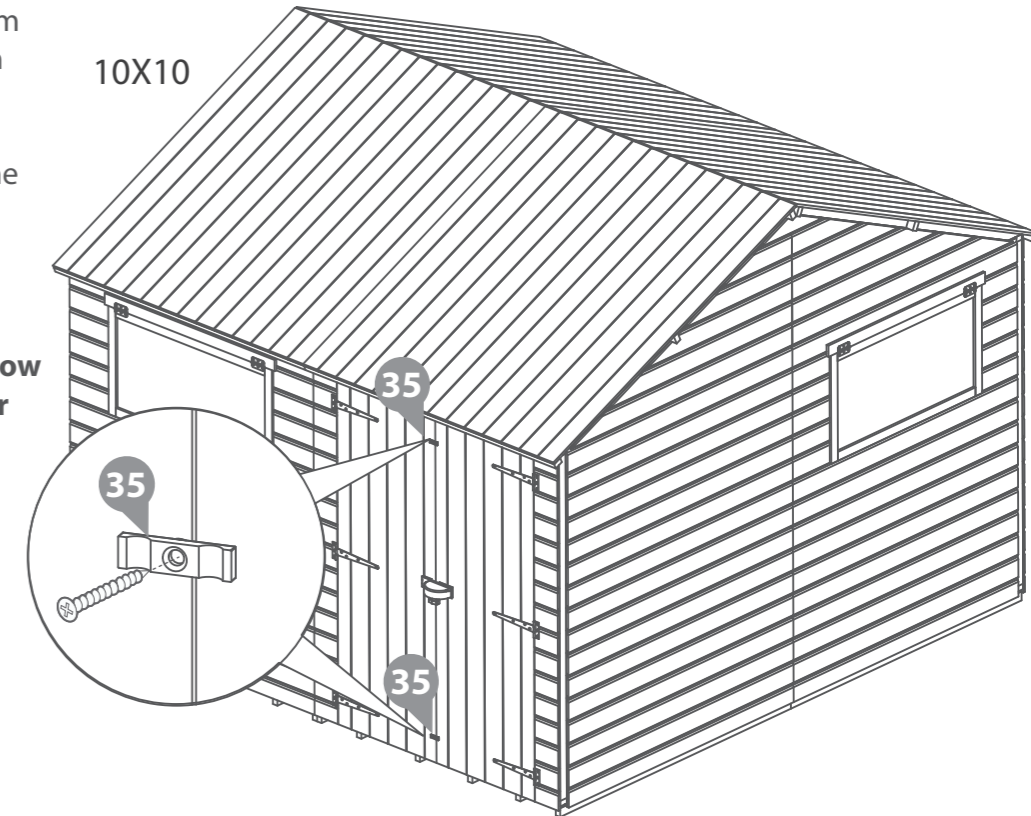
Attach the turn buttons (**No.35**) to the secondary door at the top and bottom using 1x30mm screw per turn button

20x10

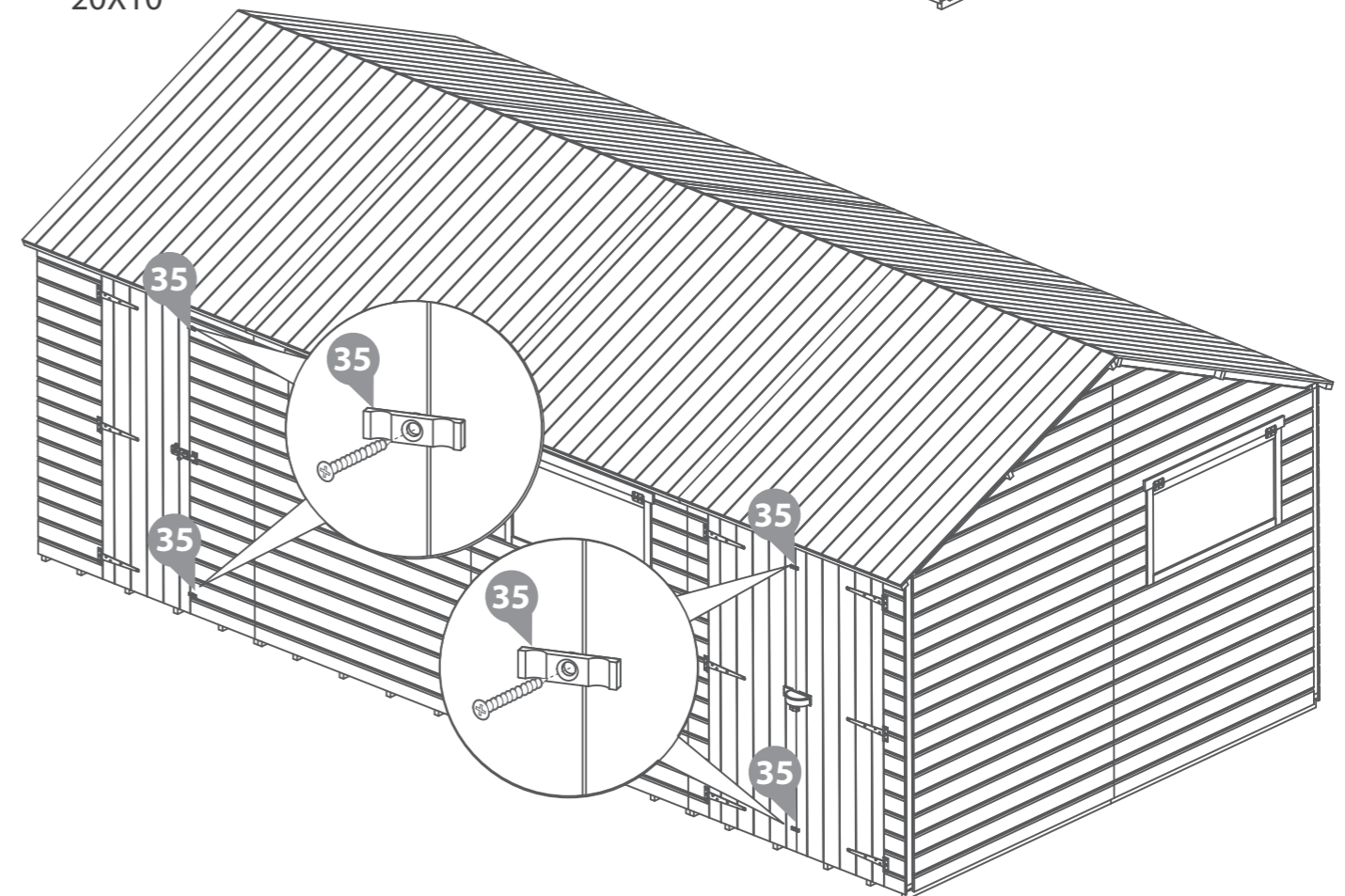
Attach the turn buttons (**No.35**) to the door at the top and bottom using 1x30mm screw per turn button

***These turn buttons help to keep your doors straight during high & low levels of moisture content in the air**

10X10



20X10



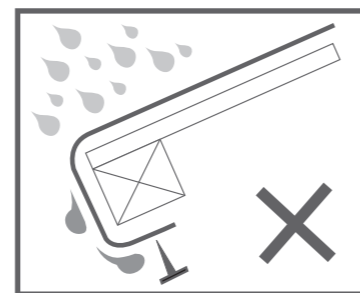
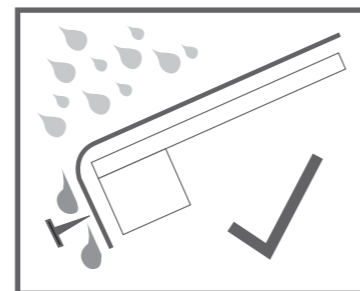
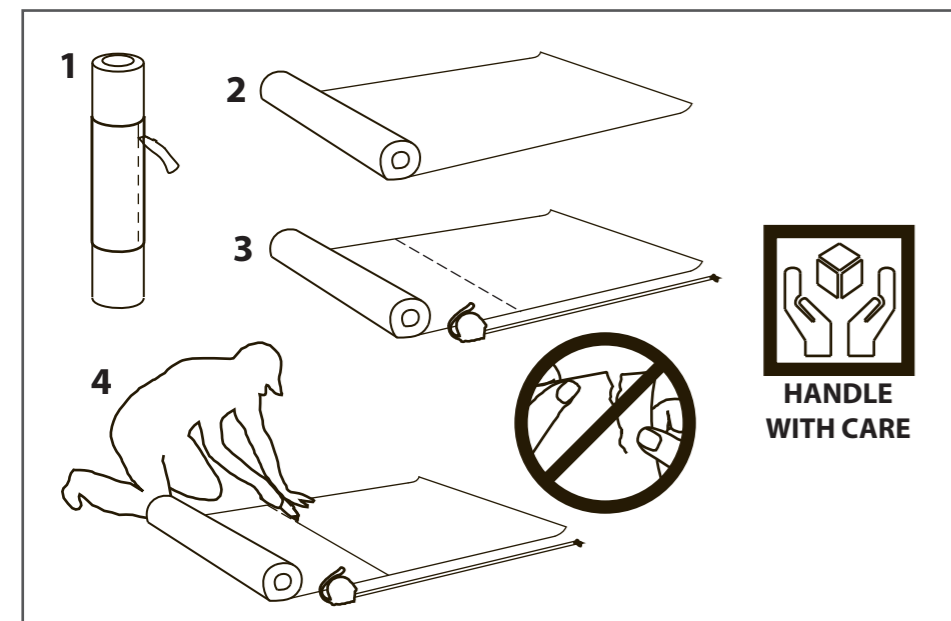
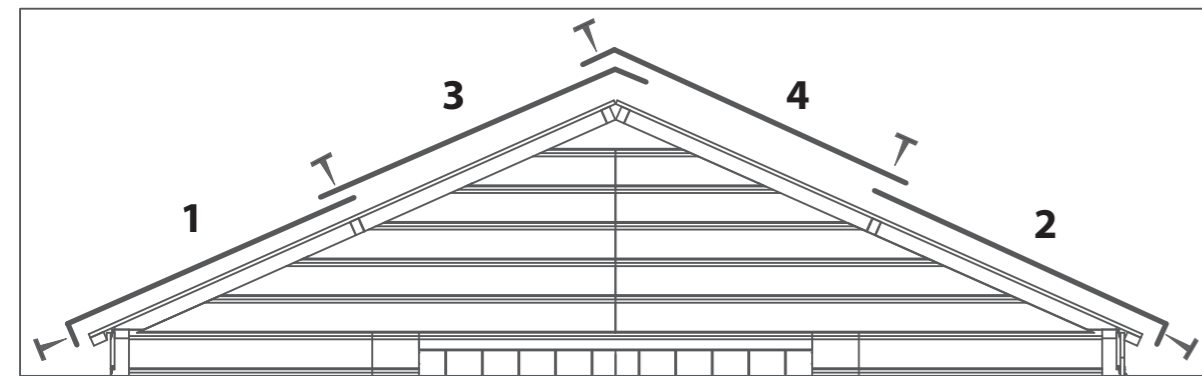
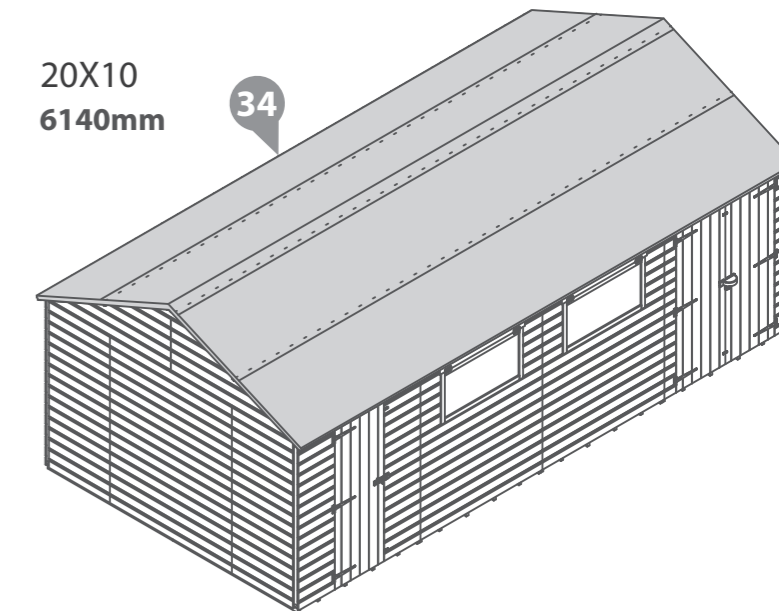
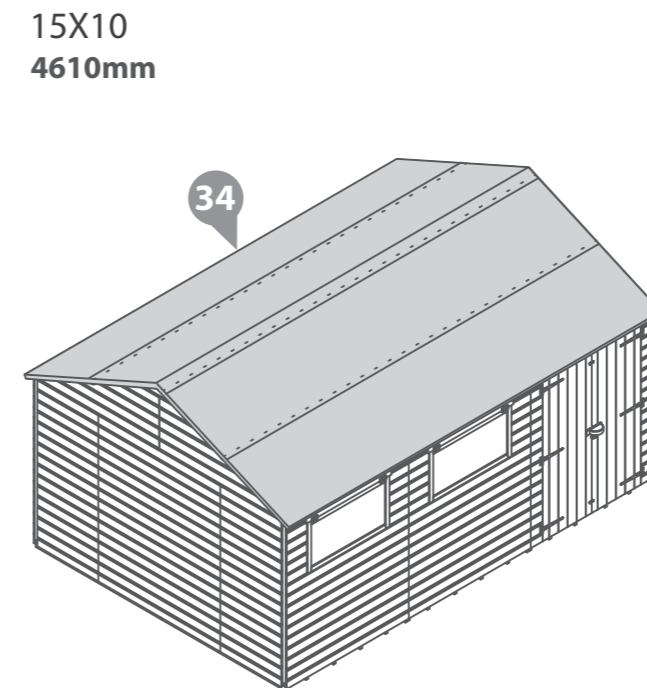
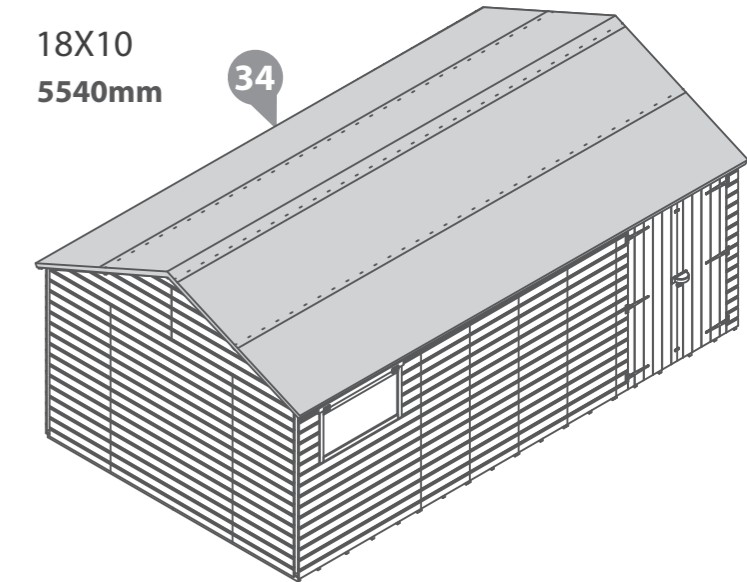
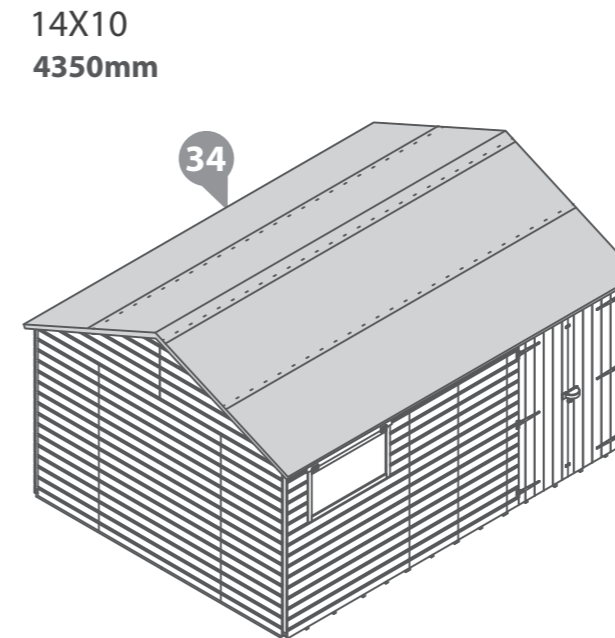
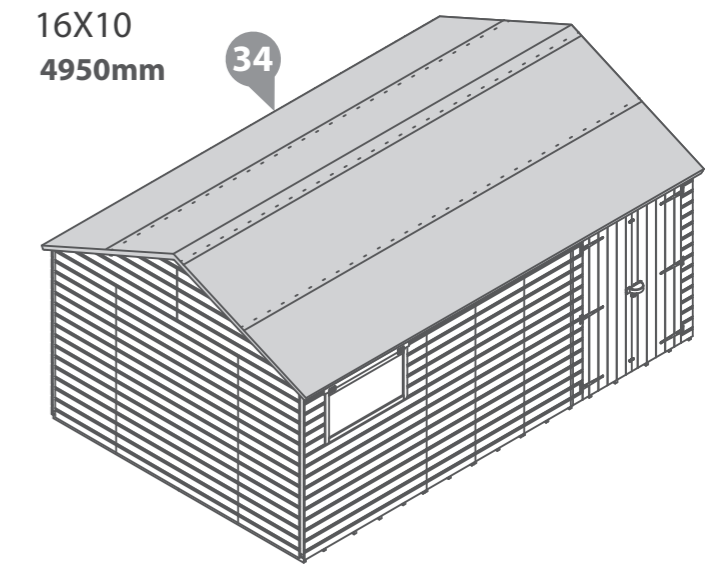
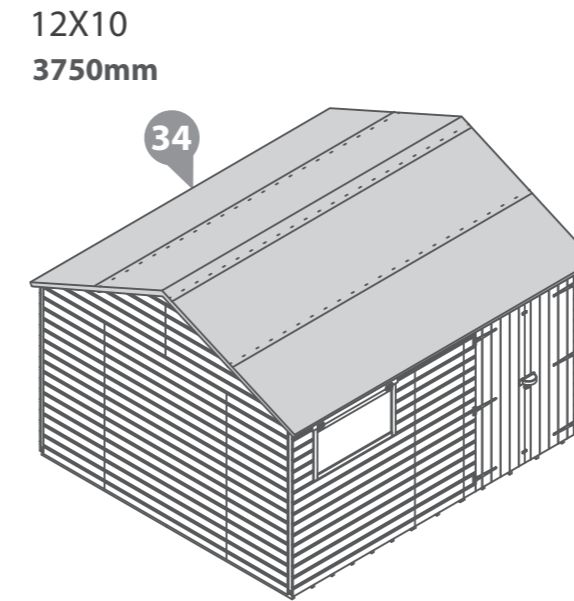
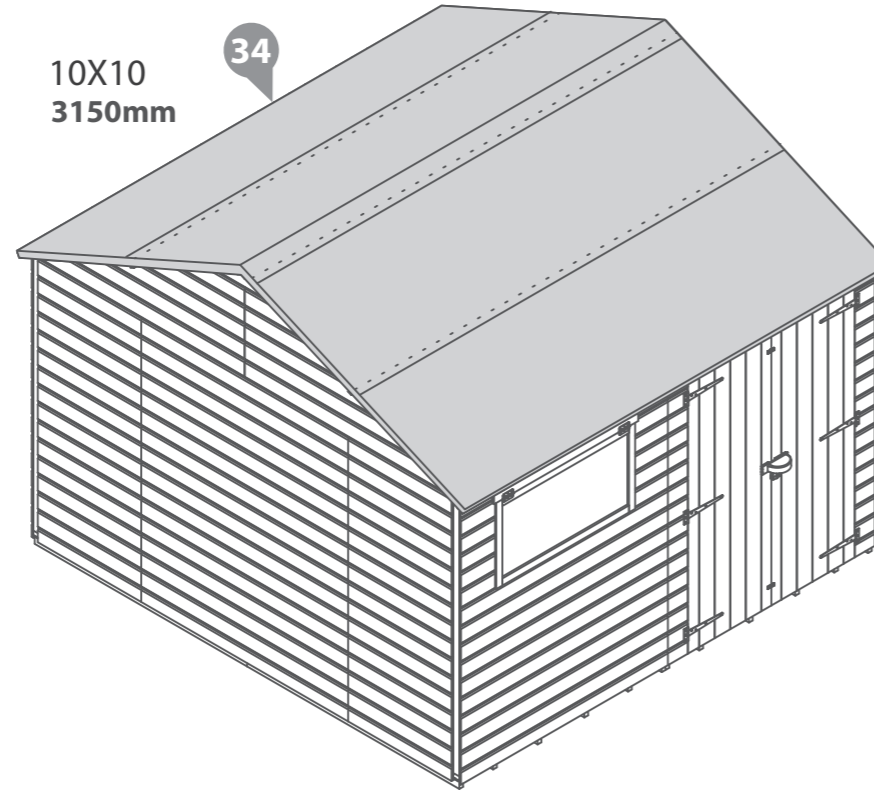
Step 23

	Building Size						
Parts needed	10x10	12x10	14x10	15x10	16x10	18x10	20x10
No.34- Size Required	3150mm	3750mm	4350mm	4610mm	4950mm	5540mm	6140mm
Felt Tacks	QTY 150	QTY 185	QTY 220	QTY 225	QTY 255	QTY 290	QTY 300

Cut four strips of felt (No. 34) and place onto the roof.

Place the felt flat onto the roof in the order that is stated on the diagram below.

Once the sheets are laid out fix them onto the roof with tacks 100mm apart.



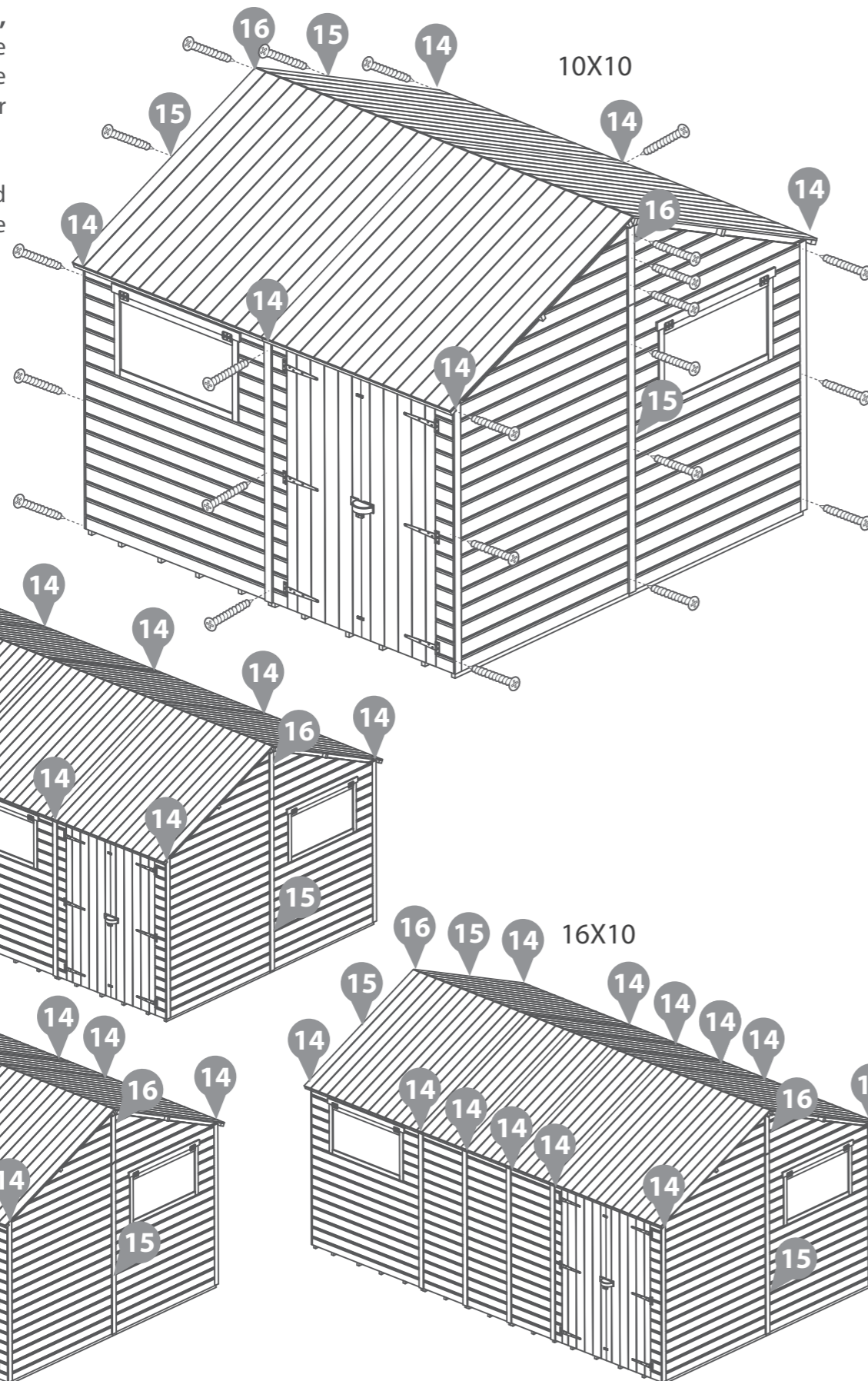
Step 24

Parts needed	Building Size						
	10x10	12x10	14x10	15x10	16x10	18x10	20x10
No.14	QTY 6	QTY 8	QTY 10	QTY 8	QTY 12	QTY 14	QTY 10
No.15	QTY 4	QTY 4	QTY 4	QTY 4	QTY 4	QTY 4	QTY 4
No. 16	QTY 2	QTY 2	QTY 2	QTY 2	QTY 2	QTY 2	QTY 2
30mm Screw	QTY 36	QTY 42	QTY 46	QTY 42	QTY 52	QTY 58	QTY 46

Fit the Cover Strips (**No. 14**, **No.15** and **No.16**) to the building and secure in place with 3x30mm screws per cover trim.

The cover strips will need cutting to length before securing to the building.

Pre drill to avoid splitting.

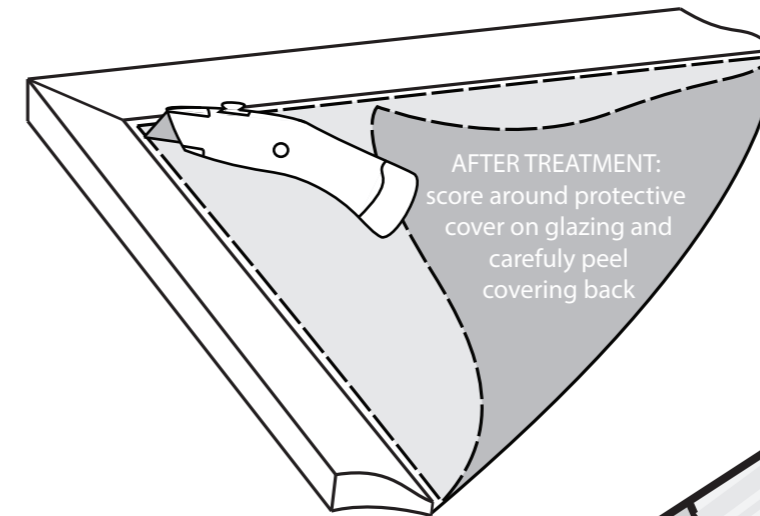
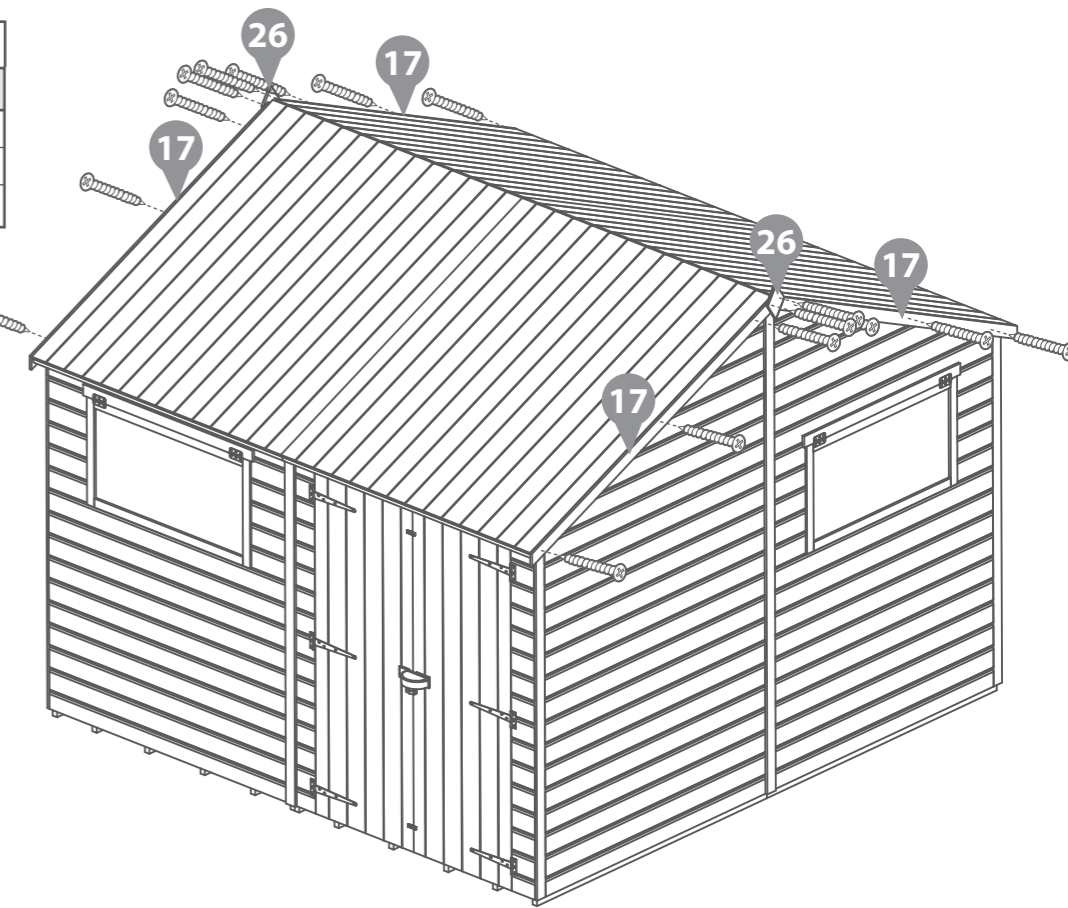


Step 25

Parts needed	Building Size	
	All Sizes	
No.17	QTY 4	
No.26	QTY 2	
30mm Screw	QTY 16	

Fix the Fascias (**No.17**) to each side of the building, ensuring they are flush to the top of the building, secure using 3x30mm screws per fascia.

Fix the Shed Diamond (**No.26**) to each side of the building, secure using 2x30mm screws per Shed Diamond.



AFTER TREATMENT:
score around protective cover on glazing and carefully peel covering back



It is **ESSENTIAL** that you apply wood treatment immediately after the building has been assembled.

All our garden buildings have been designed and manufactured with care and attention to be the perfect addition to your outdoor space. To ensure you do get the best out of your new garden building and to increase the longevity we advise that you follow the product instructions and our manufacturer's recommendations as detailed below. Thank you for choosing a Mercia Garden product!

1 Choosing the most suitable location for your garden building...

A minimum of 60cm should be left around the perimeter of your garden building to allow access for maintenance, annual treatment and to allow air flow around the building.

Where possible you should avoid placing your garden building underneath large trees to prevent the tree causing damage to the building.

2 Preparing the base for your garden building...

All our buildings must be built on a firm, level base to ensure the longevity of the building and prevent the wood from distorting. We recommend either concrete, concrete slabs or a wooden base, such as our 'Portabase'.

The base should be slightly smaller than the external measurement of the building, i.e. the cladding should overlap the base, creating a run off for water and preventing water from pooling underneath the building.

We also recommend that the floor of the garden building is a minimum of 25mm above the surrounding ground level to avoid flooding.

3 After installation...

Once your garden building has been installed it will need to be treated as soon as possible and annually to prevent the timber from deteriorating and to waterproof it. This is required to maintain the anti-rot guarantee.

Dip Treated buildings - Require a preservative treatment to protect against rot and decay and a waterproof treatment to prevent water ingress

Pressure Treated buildings - Require a waterproof treatment to prevent water ingress

Log Cabins/Insulated Garden Rooms - Are supplied untreated and require a preservative and waterproofing treatment

We also recommend using a silicon sealant on the inside and outside of the windows as soon as possible after assembly and treatment to fully seal the windows.

Roofing felt/covering should be checked annually and replaced or fixed accordingly.

4 General maintenance and wood characteristics

As wood is a natural material it may be affected by the following:

Shrinkage and warping - The timber used in the construction of your garden building will have retained some of its natural moisture content. The moisture content of the timber will vary, depending upon prevailing environmental conditions, which will result in the components either naturally expanding or contracting. As the components dry out shrinkage may occur. A good waterproofing treatment from the start is the best protection to minimise the effect of moisture loss/intake.

In extended periods of very warm weather getting some moisture to the building will help the overall balance. You can do this by spraying it down lightly with a garden hose. In contrast after snow fall try to remove the snow as best as possible from the roof to prevent moisture intake and to remove the extra weight.

Top tip - using a garden brush will help you to reach the highest part of the building to remove snow and any debris left from bad weather.

Damp and mould - During the winter months, cold and damp conditions can result in an increased amount of moisture within your garden building, especially when used infrequently. Condensation can form on the timber and other items stored within your garden building. If left this moisture is likely to cause mould and mildew. To prevent the build-up of moisture, we recommend leaving the door or windows of your building open from time to time, to allow the fresh air to circulate. We also advise against storing wet or damp items in your garden building as this will also increase the level of moisture in the building. If mould or mildew does start to form within your building we recommend using an anti-mould cleaner to remove it and to prevent it spreading, which if left untreated could permanently damage your garden building.

Splits, cracks and knots - You may notice small splits and cracks in some components or holes may appear where knots shrink and fall out. This will not affect the structure of your Garden building however if you wish to fill them this can be easily done using any good quality wood filler.

Sap - is naturally occurring in wood and may appear in some boards of your garden building. If you wish to remove the sap, we advise waiting until it is dry and then using a sharp knife to carefully remove it. If the removal of the sap causes a hole in the timber, we recommend using a good quality wood filler to fill it.

For more handy hints and tips on how to care and maintain your garden building please refer to the MGP Customer Portal at www.mgplogistics.co.uk

Any further questions?

Contact our
Customer Service
Team on:
01636 821215

1 Manufacturer's Warranty

All Mercia Garden Products are supplied with a 1 year warranty on all parts against manufacturing defects.
This warranty does not cover movement, warping or splitting of timber products over time.

This warranty will be voided if any of the following occur:

1. The building has been customised or modified/adapted in any way.
2. The person claiming is not the original purchaser of the building.
3. Any damage has been caused by or as a result of misuse.
4. The building has not been maintained and cared for in accordance to our advisories and manufacturer's recommendations.
5. The building has not been treated annually or as per the manufacturer's recommendations, please ensure receipts are kept to validate this claim.
6. The building has not been erected, fitted or installed as per the supplier instructions.
7. The building has not been erected on a suitable sized firm flat, solid level concrete/slab base or placed on pressure treated bearers.
8. The building is or has been placed with 2 feet (60cm) of any obstructions (walls, trees, plants, fences etc.) which can allow moisture to penetrate the timber.
9. The roofing felt has been incorrectly fitted or damaged allowing water ingress, or not properly maintained.
10. Any windows and joints have not been sealed, inside and out, with silicone or other watertight sealant.
11. Any timber has been cut, pierced or drilled without subsequent application of approved cut-end treatment.

2 Anti-rot Guarantee

Mercia Garden Products offer a 10 year anti-rot guarantee on all dip treated (a preparatory treatment) and 15 years on all pressure treated products. This guarantee covers solid timber against rot, decay, blue stain and insect attack.

To validate the guarantee the building must be treated with a recognised wood preserver/water proof top coat (as detailed within manufacturer's recommendations) as soon as possible after assembly and annually thereafter.

This guarantee does not cover movement, warping or splitting of timber products over time.

This guarantee will be voided if any of the following occur:

1. The building has been customised or modified/adapted in any way.
2. The person claiming is not the original purchaser of the building.
3. Any damage is caused by or as a result of misuse.
4. The building has not been maintained and cared for in accordance to our advisories and manufacturer's recommendations.
5. The building has not been treated annually or as per the manufacturer's recommendations, please ensure receipts are kept to validate this claim.
6. The building has not been erected, fitted or installed as per the supplier instructions.
7. The building has not been erected on a suitable sized firm flat, solid level concrete/slab base or placed on pressure treated bearers.
8. The building is or has been placed with 2 feet (60cm) of any obstructions (walls, trees, plants, fences etc.) which can allow moisture to penetrate the timber.
9. The roofing felt has been incorrectly fitted or damaged allowing water ingress, or not properly maintained.
10. Any windows and joints have not been sealed, inside and out, with silicone or other watertight sealant.
11. Any timber has been cut, pierced or drilled without subsequent application of approved cut-end treatment.