

**02DTSHAX0505HGD1W-V1-PEFC**

**PLAYHOUSE - DIP TREATED SHIPLAP APEX  
5X5, HALF GLAZED DOOR, ONE WINDOW.**



**WARNING: Only for domestic use**  
Not suitable for children under 36 months due to small gaps and danger of falling from heights.  
To be used under direct supervision of an adult

## BEFORE YOU START PLEASE READ THE INSTRUCTIONS CAREFULLY

- Check the pack and make sure you have all the parts listed in the parts list provided.
- When you are ready to start, make sure you have the right tools at hand (not supplied) including a Phillips screwdriver, Flathead screwdriver, Stanley knife, Wood saw, Step ladder, Hammer, Spirit level and a Drill with 2mm bit.
- Ensure there is plenty of space and a clean dry area for assembly.
- Ensure you have enough time to build the product to ensure the building is water tight.

## TIMBER

As with all natural materials, timber can be affected during various weather conditions. For the duration of heavy or extended periods of rain, swelling of the wood panels may occur. Warping of the wood may also occur during excessive dry spells due to natural processes. Unfortunately, these processes cannot be avoided but can be helped. It is suggested that the outdoor building is sprayed with water during extended periods of hot weather and sheltered as much as possible during rain or snow.

Once your garden building has been installed it will need to be treated as soon as possible and annually to prevent the timber from deteriorating and to waterproof it. This is required to maintain the anti-rot guarantee.

Dip Treated buildings - Require a preservative treatment to protect against rot and decay and a waterproof treatment to prevent water ingress. Pressure Treated buildings - Require a waterproof treatment to prevent water ingress. Log Cabins - Are supplied untreated and require a preservative and waterproofing treatment.

We also recommend treating the building prior to construction.

## POSITIONING YOUR PLAYHOUSE

When thinking about where the building and base is going to be constructed:  
Ensure that there will be access to all sides for maintenance work and annual treatment.

We recommend a **minimum space of 2m around a playhouse**, away from any structure or obstructions such as fences, garages, houses, overhanging branches, washing lines or electrical wires.

It is recommended that the position of the Playhouse is **not in direct sunlight**.

**Activity toys such as swings and slides for towers shall not be installed over concrete, asphalt or any hard surface.**

## BUILDING A BASE

Ensure the base is level and is built on firm ground, to prevent distortion, checking with a spirit level. Refer to diagrams for the base dimensions. The base should be slightly smaller than the external measurement of the building, i.e. The cladding should overlap the base, creating a run off for water. It is also recommended that the floor be at least 25mm above the surrounding ground level to avoid flooding.

## TYPES OF BASE

- Concrete 75mm laid on top of 75mm hard-core.
- Slabs laid on 50mm of sharp sand.
- Wooden base.



**WARNING:**  
ONLY SUITABLE FOR DOMESTIC USE.

TO BE USED UNDER DIRECT SUPERVISION OF AN ADULT.

THIS PRODUCT SHOULD NOT BE MODIFIED IN ANY WAY.

DO NOT ALLOW YOUR CHILD TO PLAY WITH ANY COMPONENT PARTS PRIOR TO ASSEMBLY.

ANY ADD ON OR ACCESSORY MUST BE FITTED ACCORDING TO THE INSTRUCTIONS PROVIDED.

## CAUTION

Wood is a natural product and can change post manufacture. So despite every effort being made to ensure the materials used are cut and machined to a clean and smooth finish, care must be taken when handling the product and preparing for use by your child.

Any areas of concern, in the play areas, can be rubbed over with sandpaper to achieve a smoother finish. Alternatively, call the customer service department who will be happy to arrange replacement panels/parts.



All buildings should be erected by at least two adults.  
**DO NOT ALLOW CHILDREN TO ASSIST.**



Winter = High Moisture = Expansion  
Summer = Low Moisture = Contraction



For ease of assembly, you will need a tape measure to check dimensions of components.



2mm Drill bit  
12mm CSK

To prevent damage during assembly, you **MUST** pilot drill all screw holes and **ensure all screw heads are countersunk.**

Screws & Nails



Measure overall length

Bolts



Measure under the head

To identify the fixings required for each step use a measuring tape.

**Whilst all products manufactured are made to the highest standards of Safety and in the case of childrens products independently tested to EN71, we cannot accept responsibility for your safety whilst erecting this product.**

## \*\*Protim Aquatan T5 (621)

Your building has been treated with **Aquatan**.

Aquatan is a water-based concentrate which is diluted with water, the building has been treated by the correct application of Aquatan solution and then allowed to dry.

Aquatan is a decorative finish to colour the wood, which is applied industrially to timber fence panels and garden buildings.

**Aquatan undiluted contains:** boric acid, sodium hydroxide 32% solution, aqueous mixture of sodium dioctyl sulphosuccinat and alcohols: 2, 4, 6-trichlorophenol.

**In all instances for assistance with your product, please contact customer care on :  
01636 821215 or customerservice@merciagp.co.uk**



**Mercia Garden Products Limited,  
Sutton On Trent,  
Newark,  
Nottinghamshire,  
NG23 6QN**

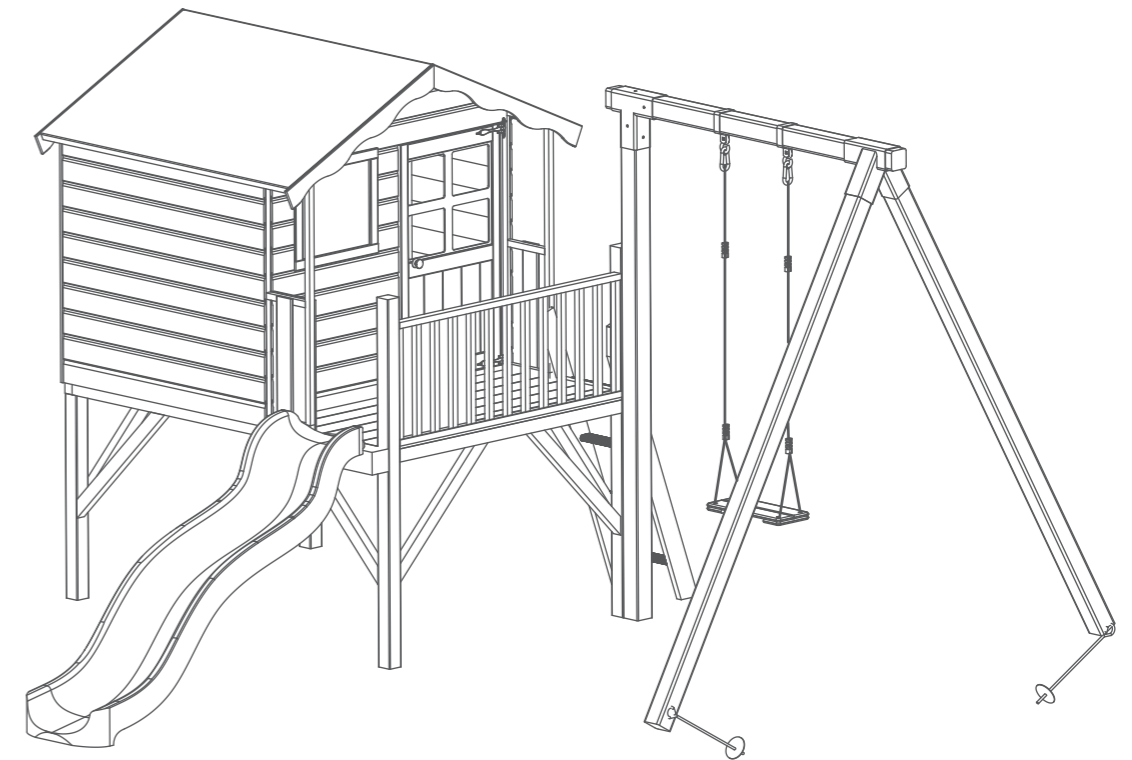


## Playhouse Options:

Take a look at the different playhouse options below which refers to the instruction leaflets required to build each option.

Model	Build Instructions Required
<b>5x5 Playhouse With Half Glazed Door</b> <i>SI-002-001-0022</i>	02DTSHAX0505HGD1W-V1-PEFC ( <i>Playhouse</i> )
<b>5x5 Playhouse With Half Glazed Door &amp; Tower</b> <i>SI-002-001-0023</i>	02DTSHAX0505HGD1W-V1-PEFC ( <i>Playhouse</i> ) 02DTTWR6565-V1-PEFC ( <i>Tower</i> )
<b>5x5 Playhouse With Half Glazed Door, Tower &amp; Slide</b> <i>SI-002-001-0024</i>	02DTSHAX0505HGD1W-V1-PEFC ( <i>Playhouse</i> ) 02DTTWR6565-V1-PEFC ( <i>Tower</i> )
<b>5x5 Playhouse With Half Glazed Door, Tower, Slide &amp; Swing</b> <i>SI-002-001-0025</i>	02DTSHAX0505HGD1W-V1-PEFC ( <i>Playhouse</i> ) 02DTTWR6565-V1-PEFC ( <i>Tower</i> ) 02PATINCSWA-V1-PEFC ( <i>Swing Set</i> )

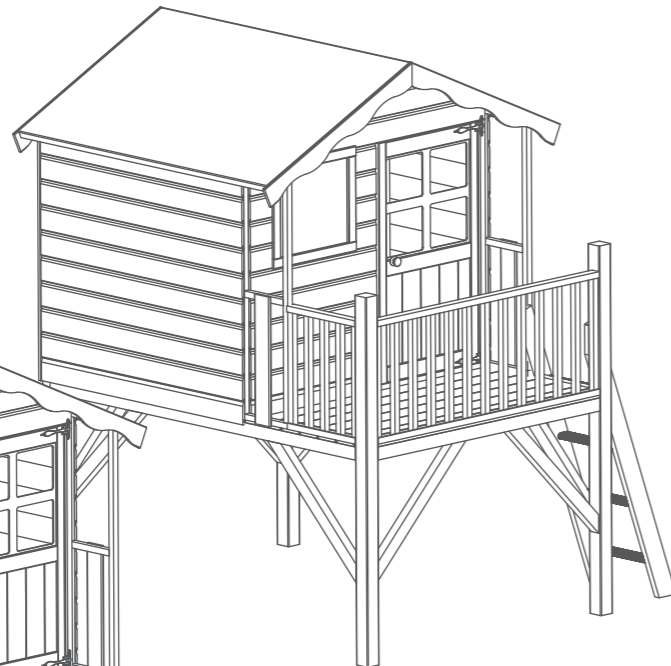
**5x5 Playhouse With Half Glazed Door, Tower, Slide & Swing**



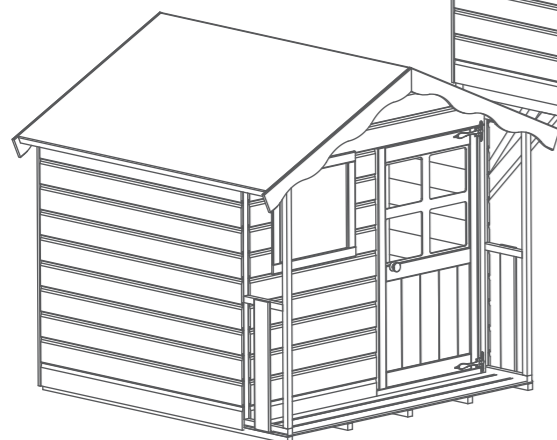
**5x5 Playhouse With Half Glazed Door, Tower & Slide**



**5x5 Playhouse With Half Glazed Door & Tower**



**5x5 Playhouse With Half Glazed Door**



**DO NOT ALLOW YOUR CHILD TO PLAY WITH ANY COMPONENT PARTS PRIOR TO ASSEMBLY.**

Look for the symbols and follow the safety guidelines below.



Ensure screw heads are subflush and sand down any splinters created.



Ensure the screws are fixed squarely and do not protrude.



12mm gap surrounding the door.



50kg per user

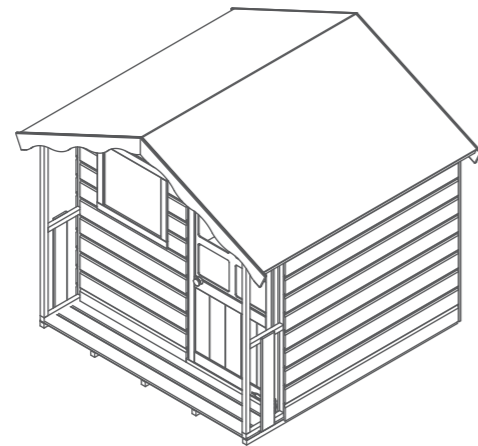


### Overall Dimensions:

Width = 1544mm  
Depth = 1844mm  
Height = 1534mm

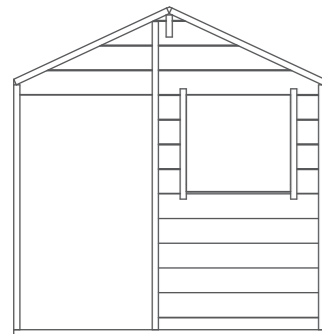
### Base Dimensions:

Width = 1512mm  
Depth = 1490mm



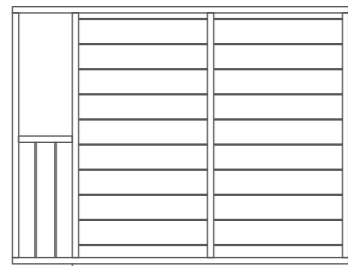
## Building Content

1



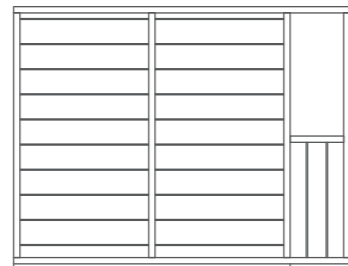
**Door Gable QTY 1**  
AI-02S11AGSD1W1410X1491-V1

2



**Plain Side Left QTY 1**  
AI-02S11PPVRL1500X1165-V1

3



**Plain Side Right QTY 1**  
AI-02S11PPVRR1500X1165-V1

4



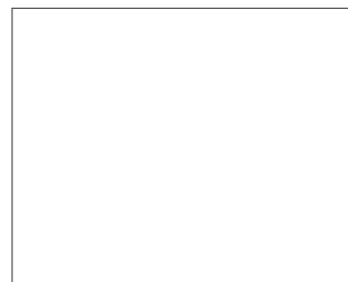
**Plain Gable QTY 1**  
AI-02S11AGP1410X1509-V1

5



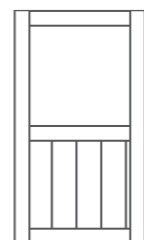
**Roof OSB QTY 2**  
PI-03-0086

6



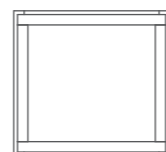
**Floor OSB QTY 1**  
PI-03-0009

7



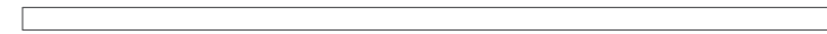
**Door QTY 1**  
AI-02HGD594X1058-V1

8



**Window QTY 1**  
AI-FW496X462-V1

9



**Floor Joist - 28x28x1500mm - QTY 5**  
FS2828-1500MM

10



**Veranda Boards - 12x95x1470mm - QTY 3**  
SR1295-1470MM

11



**Ridge Bar - 28x28x1177mm - QTY 1**  
FS2828-1177MM

12



**Cover Trims - 12x45x1155mm - QTY 2**  
S1245-1155MM

13



**Fascia Board - 12x95x980mm - QTY 4**  
FAS1295-G-980MM

14



**Eaves Frame - 28x28x1520mm - QTY 2**  
FS2828-1520MM

15



**Fascia Block - 28x28x340mm - QTY 1**  
FS2828-G-380MM

16



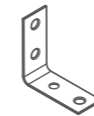
**Wooden Door Handle QTY 1**  
PI-04-0024

17



**Ply Door Stop QTY 1**  
PLY TRIANGLE

18



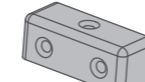
**L Bracket QTY 2**  
PI-07-0012

19



**T-hinge QTY 2**  
PI-07-0113

20



**Window Block QTY 2**  
PI-07-0011

21



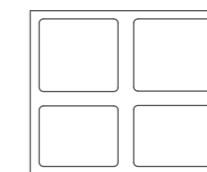
**Felt**

22



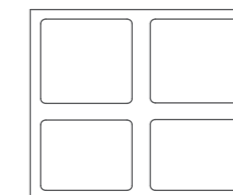
**Door Spacer Strip QTY 4**  
SR1260-100mm

23



**Window Cross QTY 1**  
PI-04-0013

24

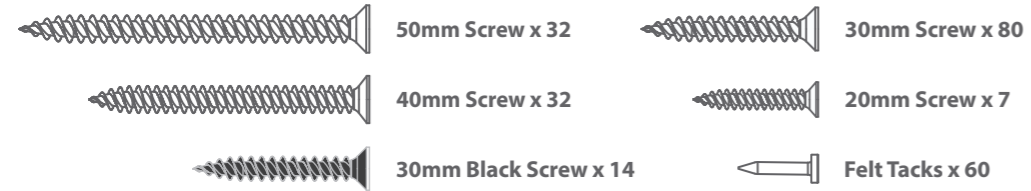


**Door Cross QTY 1**  
PI-04-0064

DO NOT ALLOW YOUR CHILD TO PLAY WITH ANY COMPONENT PARTS PRIOR TO ASSEMBLY.

### Nail Bag

There may be extra screws present in the nail bag

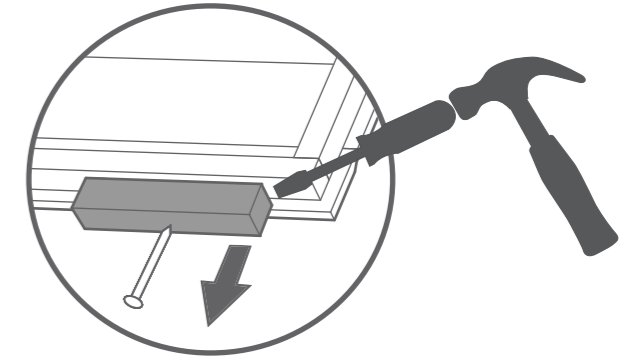


### Pre Assembly

Before assembling remove the transportation blocks from the bottom of each panel.

Take care removing the blocks as to not damage the panels. Tap with a flat headed screwdriver and hammer.

Dispose of the blocks once removed.



REGISTER FOR YOUR  
**ANTI-ROT**  
GUARANTEE TODAY

PLEASE SCAN HERE:

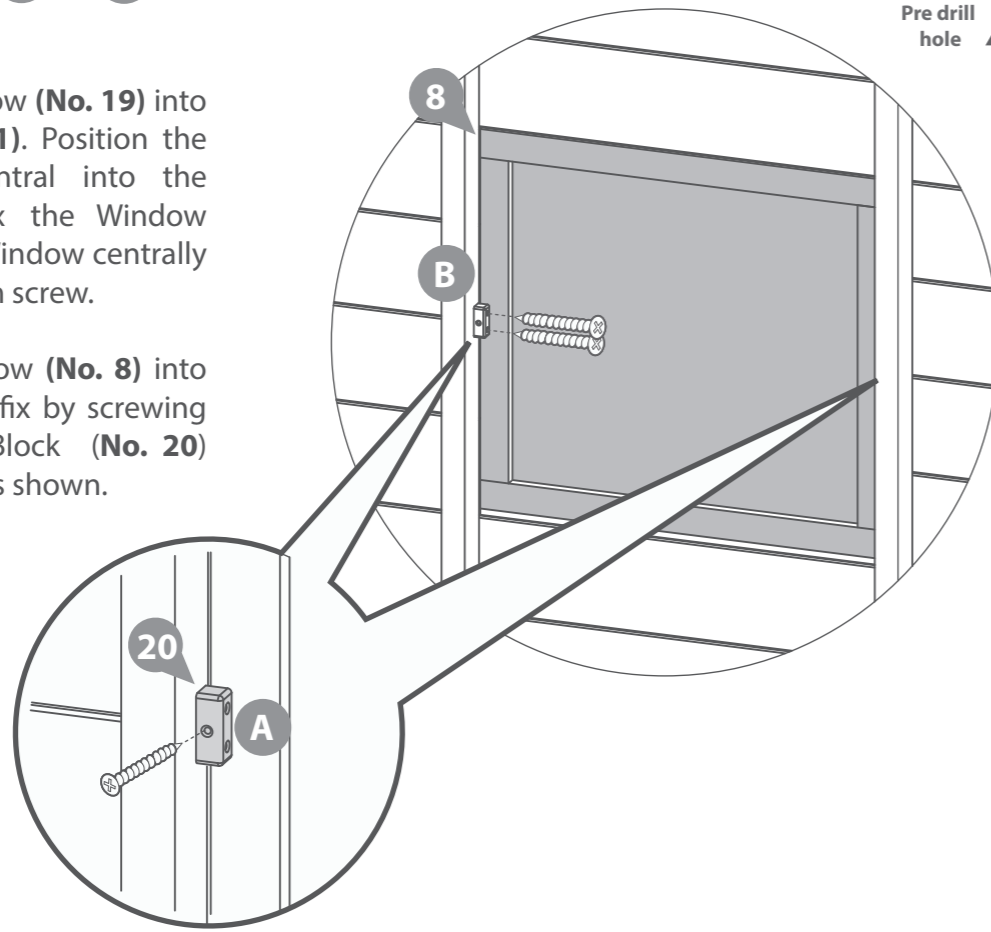


**Step 1**  
Parts needed - 1 & 8 & 20

**A** To fix the Window (No. 19) into the Door Gable (No. 1). Position the Window (No. 8) central into the window opening. Fix the Window Block (No. 20) to the Window centrally as shown with 1x30mm screw.

**B** Place the Window (No. 8) into the window hole and fix by screwing through the Window Block (No. 20) with 2x30mm screws as shown.

6x30mm screws.



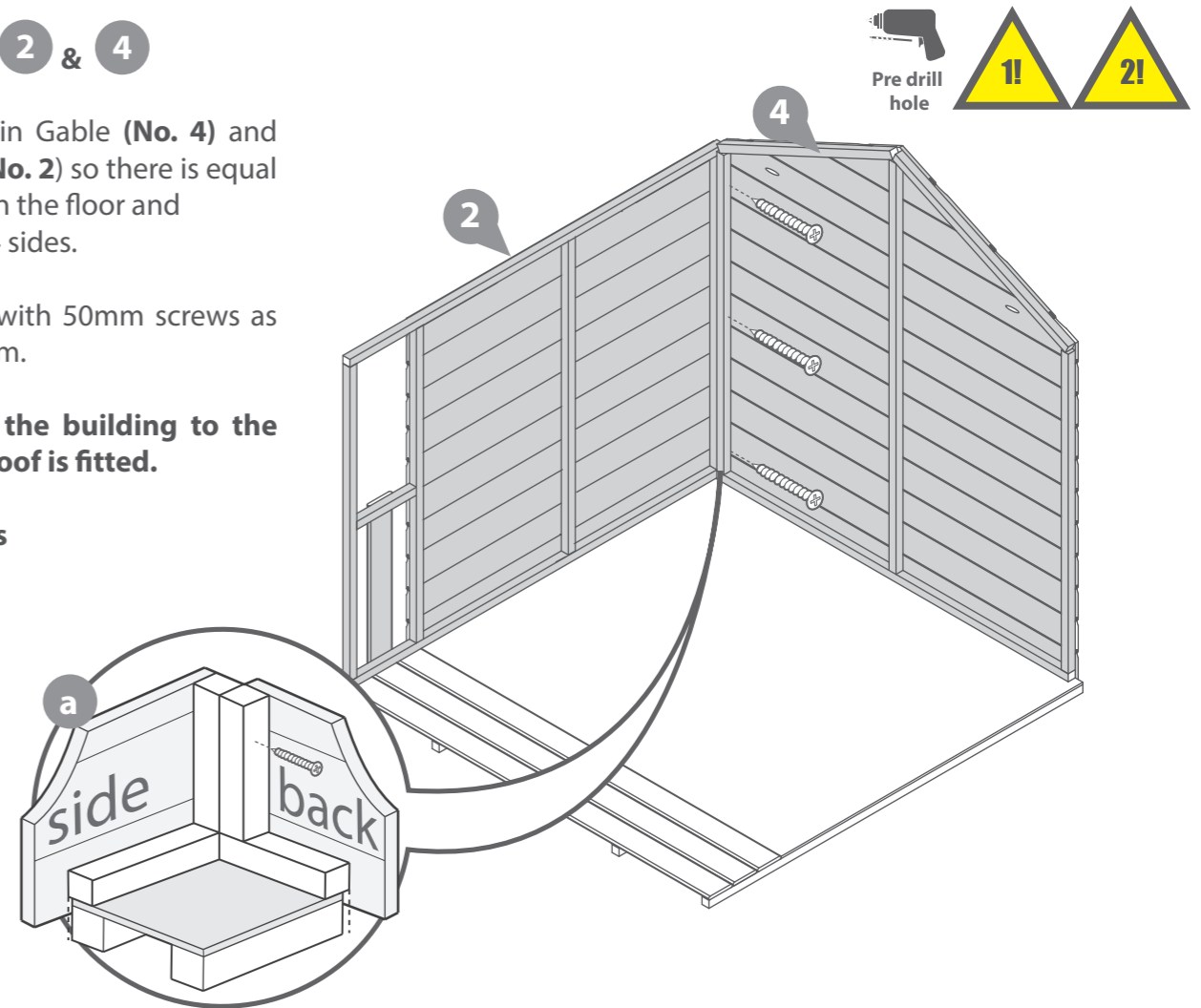
**Step 3**  
Parts needed - 2 & 4

Position the Plain Gable (No. 4) and Plain Side Left (No. 2) so there is equal spacing between the floor and cladding on all 4 sides.

Fix the corners with 50mm screws as shown in diagram.

**Do not secure the building to the floor until the roof is fitted.**

3x50mm screws



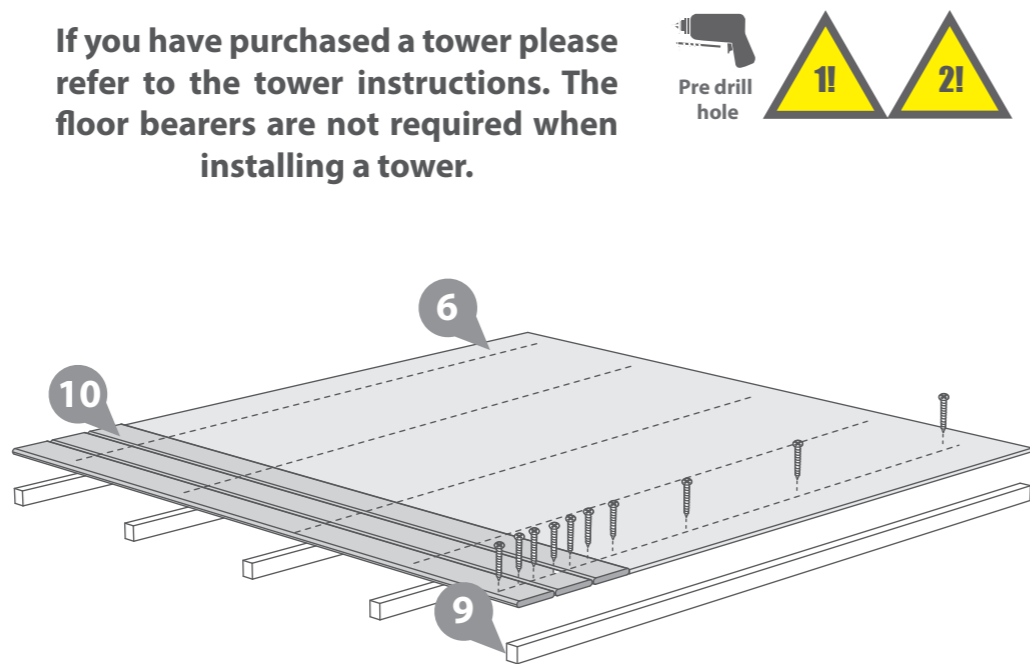
**Step 2**  
Parts needed - 6 & 9 & 10

Lay the Floor Joists (No. 9) under the Floor OSB (No. 6) with an even space between each one.

Position the joists (No. 9) flush on one side of the Floor OSB (No. 6) and mark the centers of joists onto either end. Fix using 4 x 30mm screws per joist (No. 7).

Place the Veranda Boards (No. 10) along the joists and against the floor OSB (No. 6). Spread them evenly making sure the end board is flush with the framing. Fix using 2 x 30mm screws for each board along the dotted lines shown on the illustration.

50x30mm screws



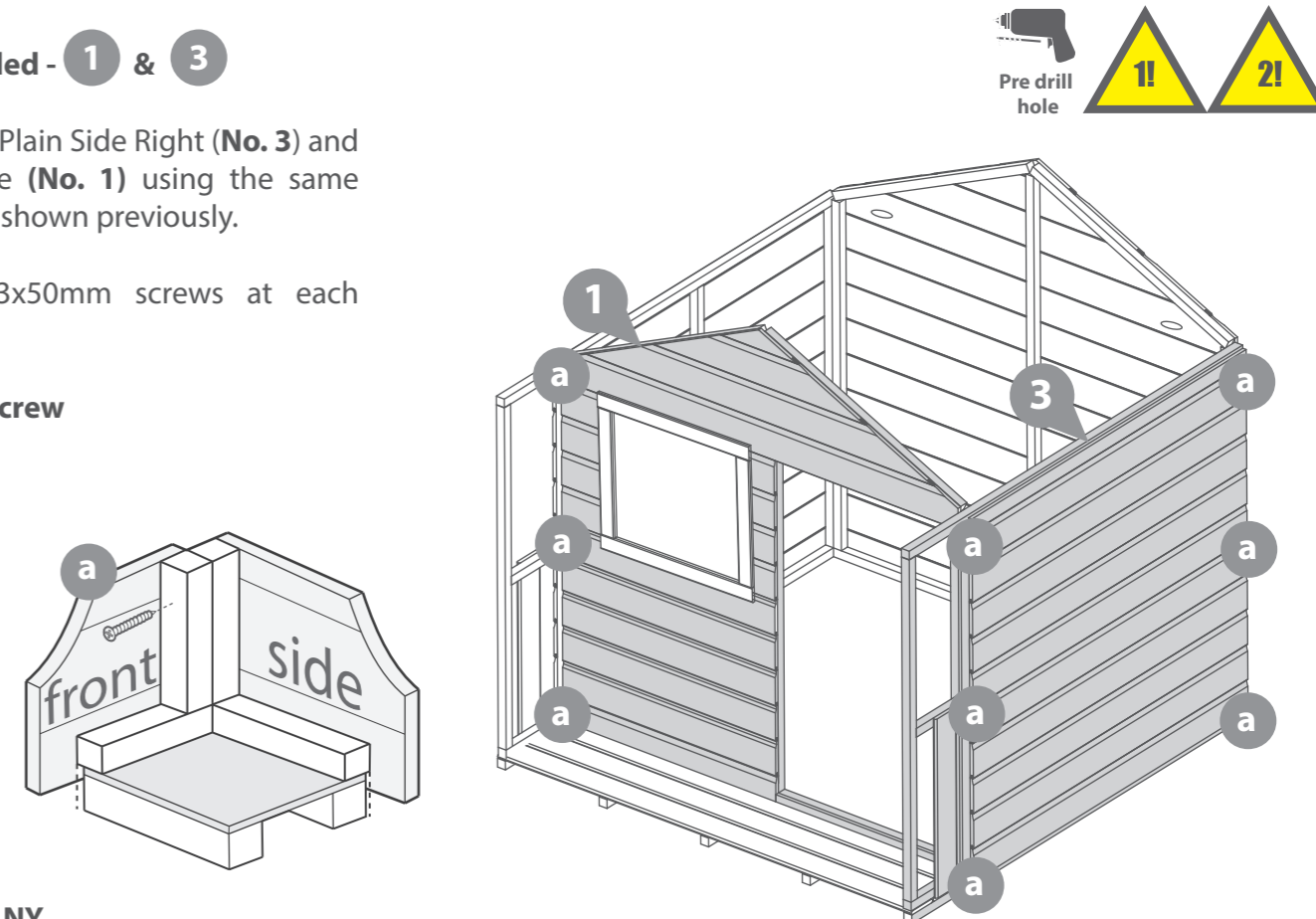
If you have purchased a tower please refer to the tower instructions. The floor bearers are not required when installing a tower.

**Step 4**  
Parts needed - 1 & 3

Attach the Plain Side Right (No. 3) and Door Gable (No. 1) using the same method as shown previously.

Fix with 3x50mm screws at each corner.

9x50mm screw



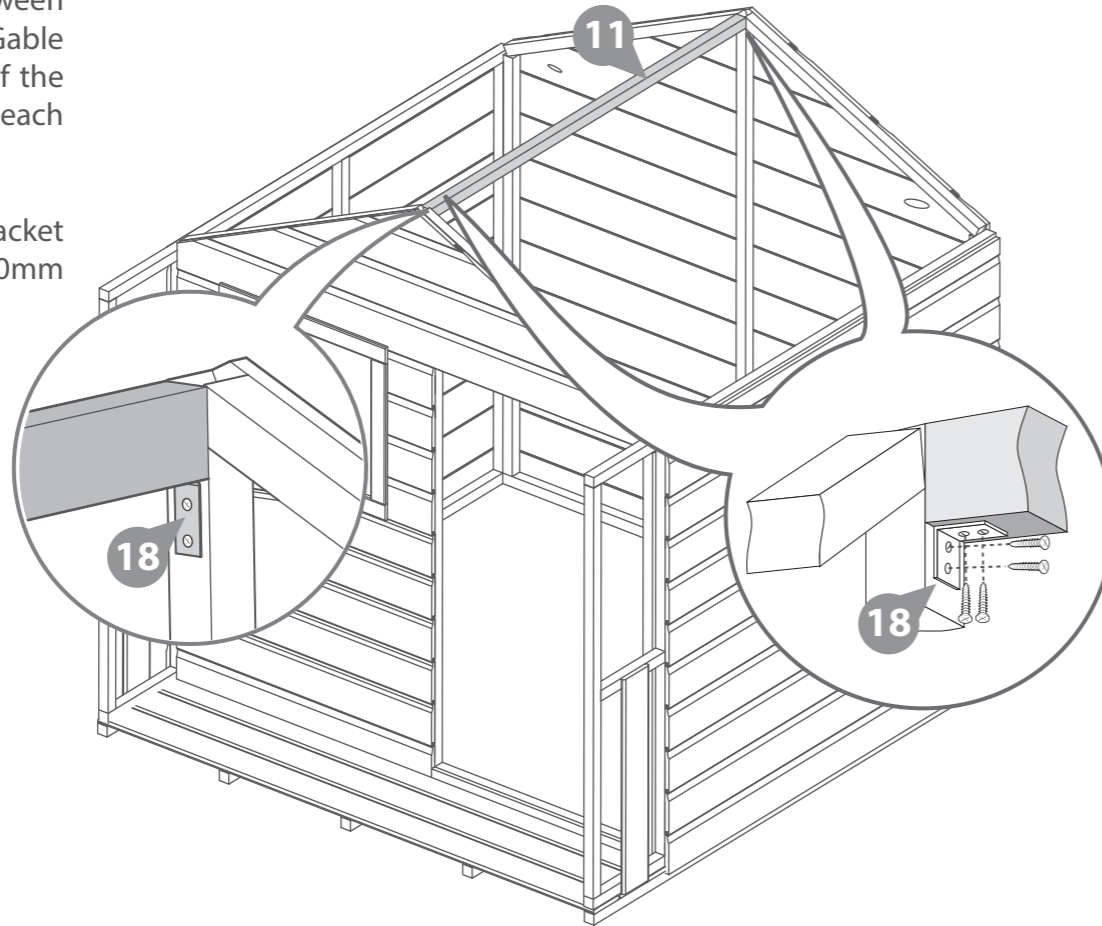
**DO NOT ALLOW YOUR CHILD TO PLAY WITH ANY COMPONENT PARTS PRIOR TO ASSEMBLY.**

**Step 5**  
Parts needed - 11 & 18

Place the Ridge Bar (No. 11) in between the Door Gable (No. 1) and Plain Gable (No. 4). Ensure the top corners of the Ridge Bar (No. 11) are flush with each top point (see illustration).

Secure in place using a L bracket (No.18) on each end and 4x30mm screws per brace.

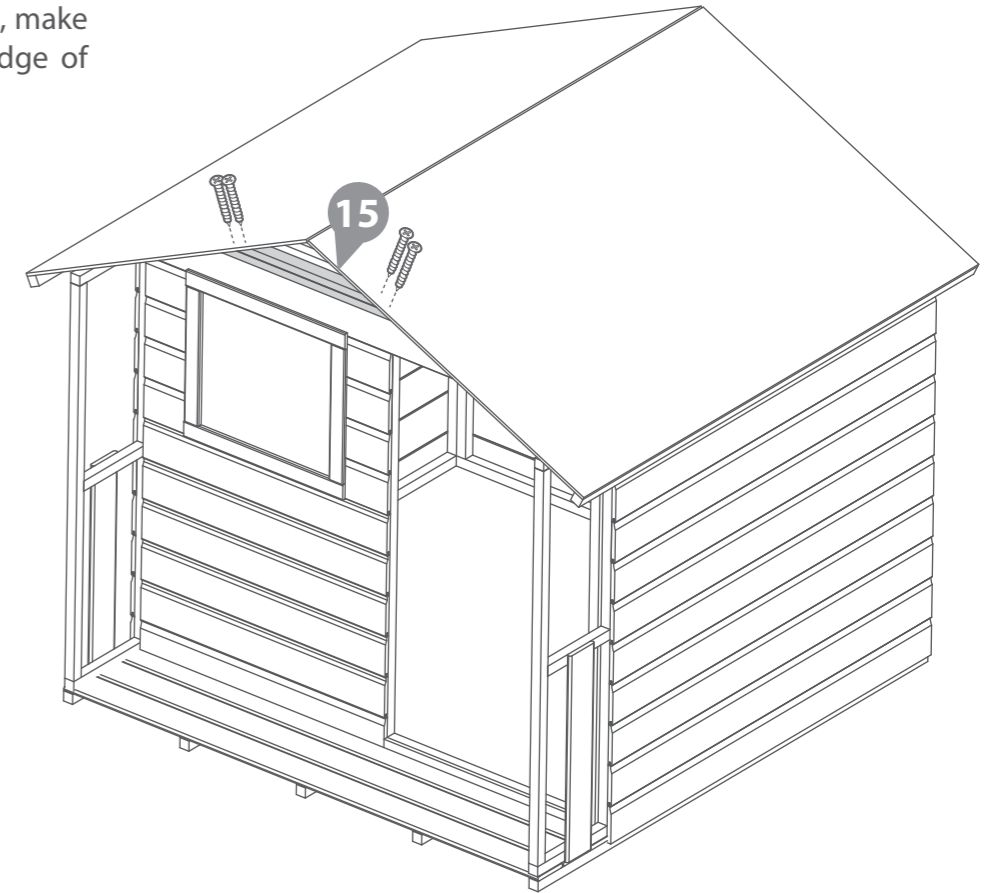
8x30mm screws



**Step 7**  
Parts needed - 15

Fit the Fascia Block (No. 15) to the front of the building using 4x30mm screws, make sure it is flush with the outside edge of each roof OSB sheet (No. 5).

4x30mm screws

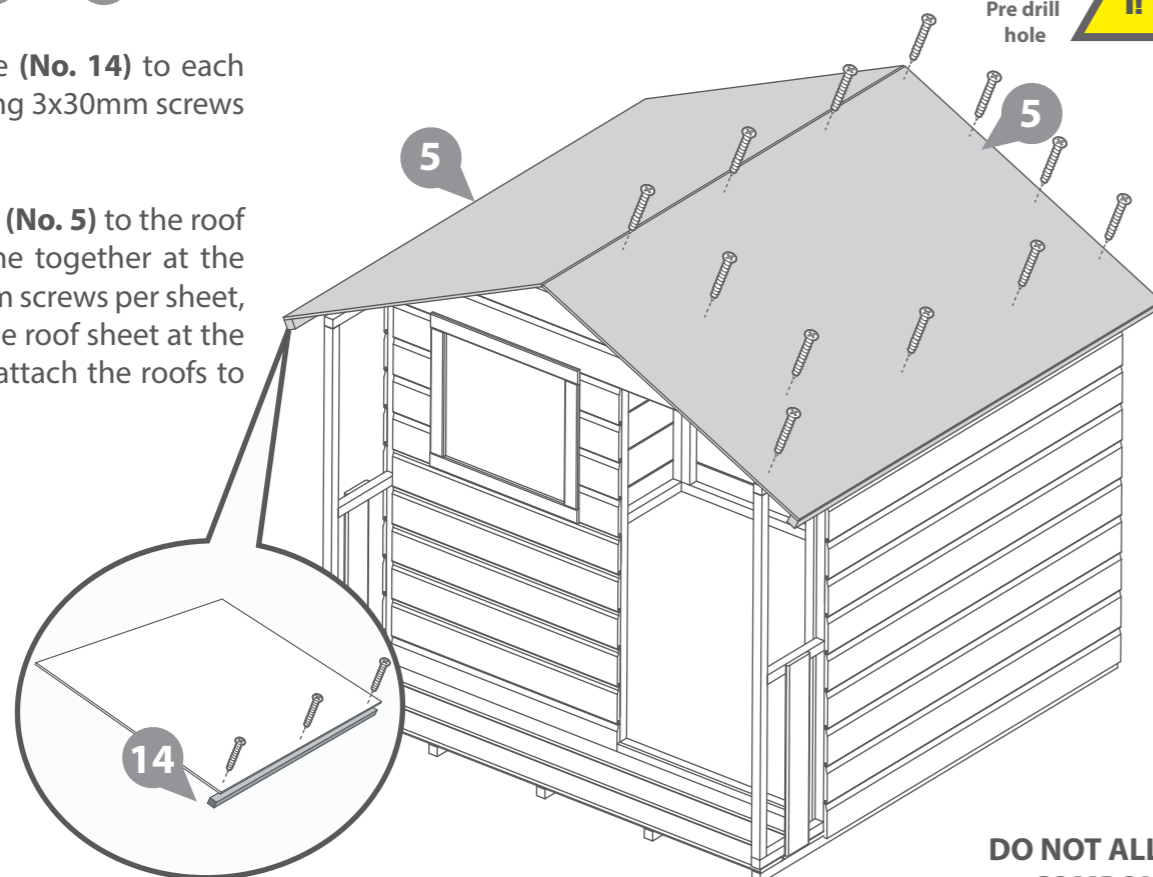


**Step 6**  
Parts needed - 5 & 14

Fix an Eaves Frame (No. 14) to each roof OSB sheet using 3x30mm screws per eave.

Fix the Roof sheets (No. 5) to the roof ensuring they come together at the top using 12x40mm screws per sheet, directly through the roof sheet at the top. Make sure to attach the roofs to the ridge bar.

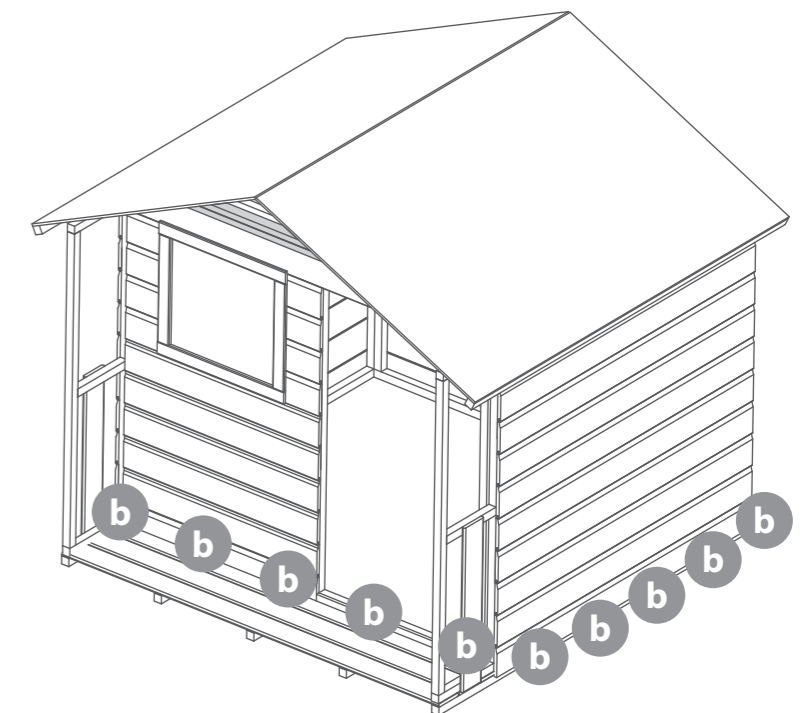
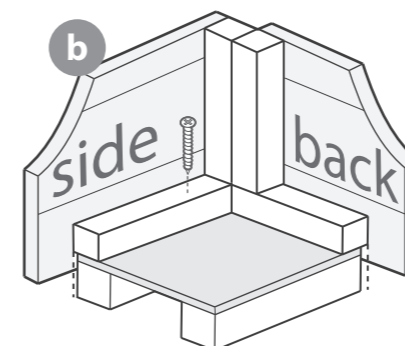
6x30mm screws  
24x40mm screws



**Step 8**

Once the roof (No.5) is fixed, secure the building to the Floor (No.6) using 5x50mm screws per panel, making sure to screw into the Floor bearers.

20x50mm screws



**DO NOT ALLOW YOUR CHILD TO PLAY WITH ANY COMPONENT PARTS PRIOR TO ASSEMBLY.**

**Step 9**  
Parts Needed - 21

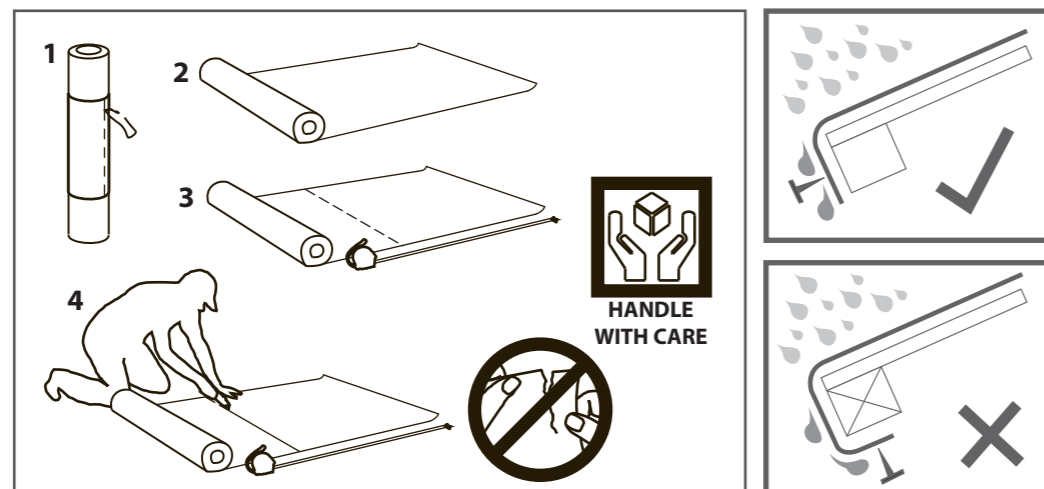
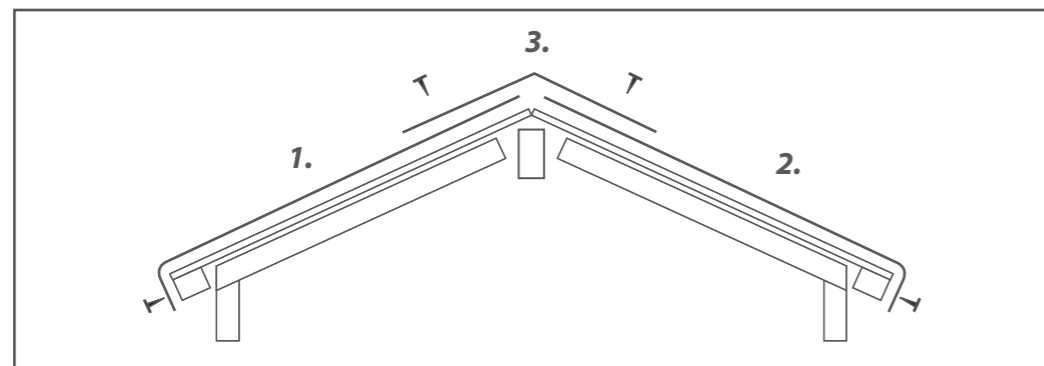
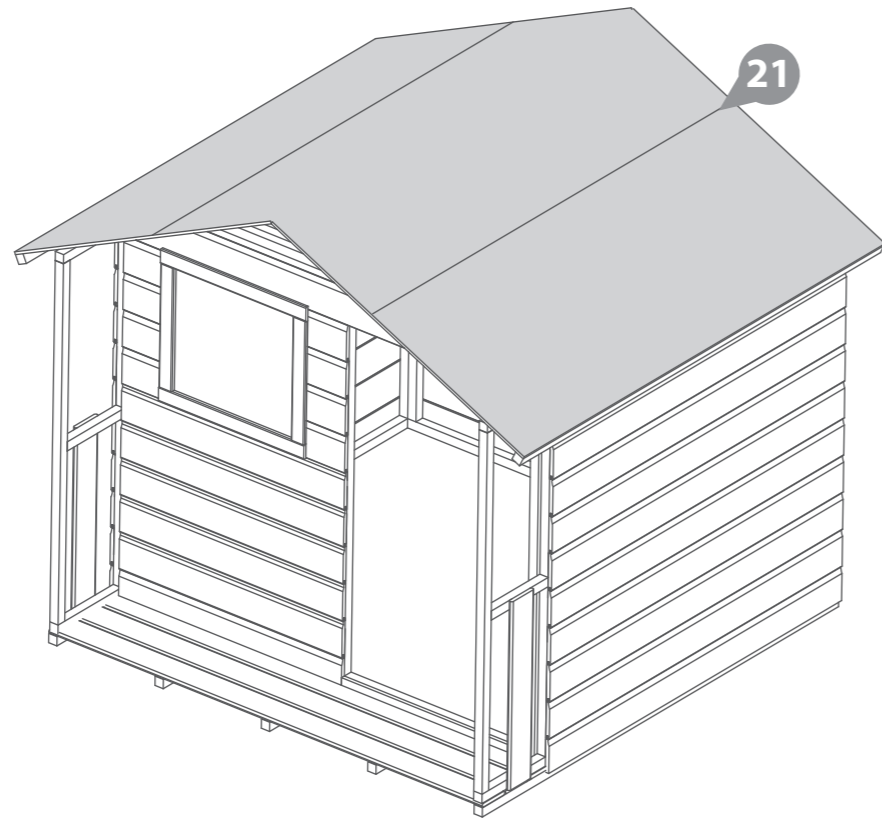


Cut the Felt (No. 21) into 3 sheets measuring: **1620mm (L) X 1000mm (W)** and lay onto the roof in the order shown in the illustration.

Start at the bottom of the roof and work your way up so that rain pours over the top of the laps and not under them. Ensure there is a 50mm overhang around the sides and each sheet overlaps by 100mm.

Fix in place using felt tacks at 100mm intervals.

**60 x Felt Tacks**



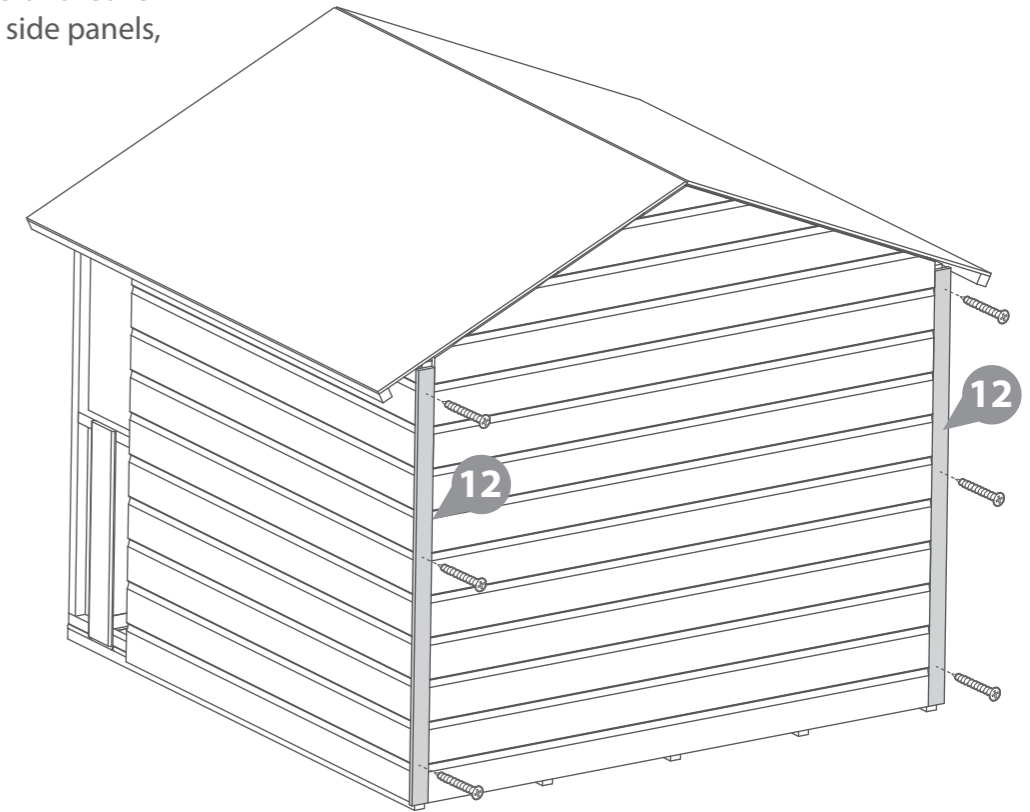
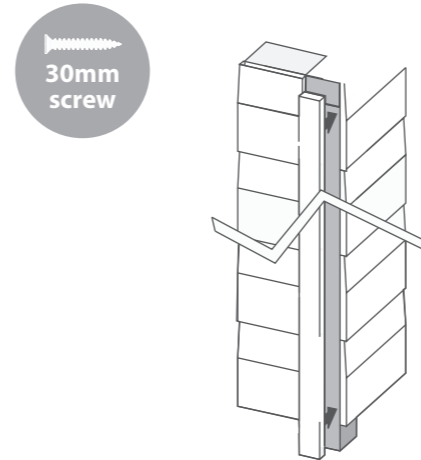
**Step 10**  
Parts needed - 12



At the back of the building, fix the two Cover Trims (No. 12) to either end of the side panels, where the panels join.

Use 3x30mm screws per trim.

**6x30mm screws**



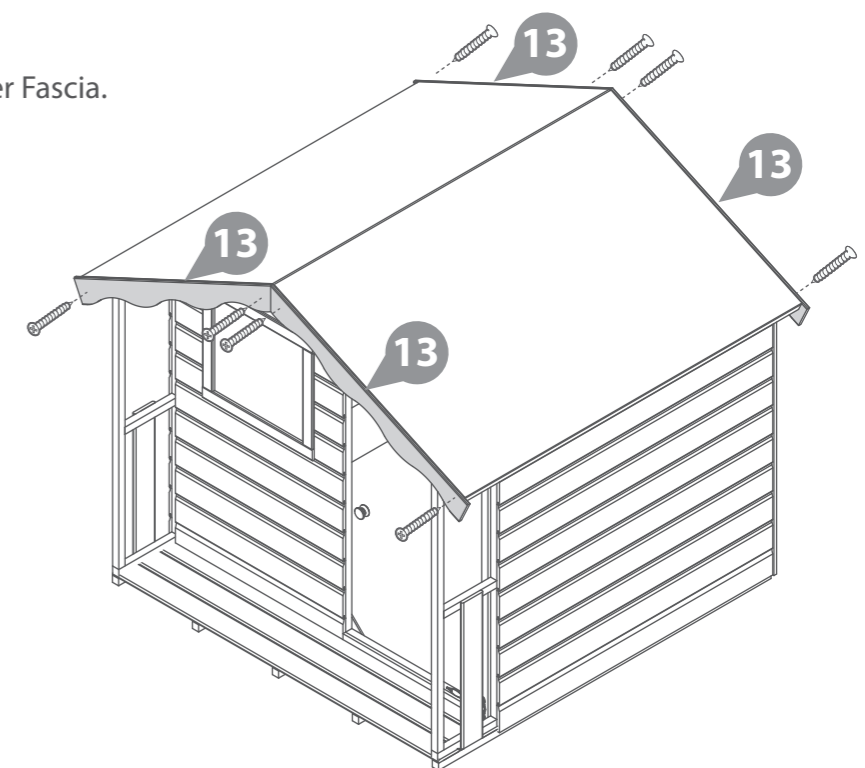
**Step 11**  
Parts needed - 13



Locate the Fascias (No. 13) on to the front and back of the playhouse, ensuring to trap the felt between the fascia and building.

Fix in place using 2x40mm screws per Fascia.

**8x40mm screws**

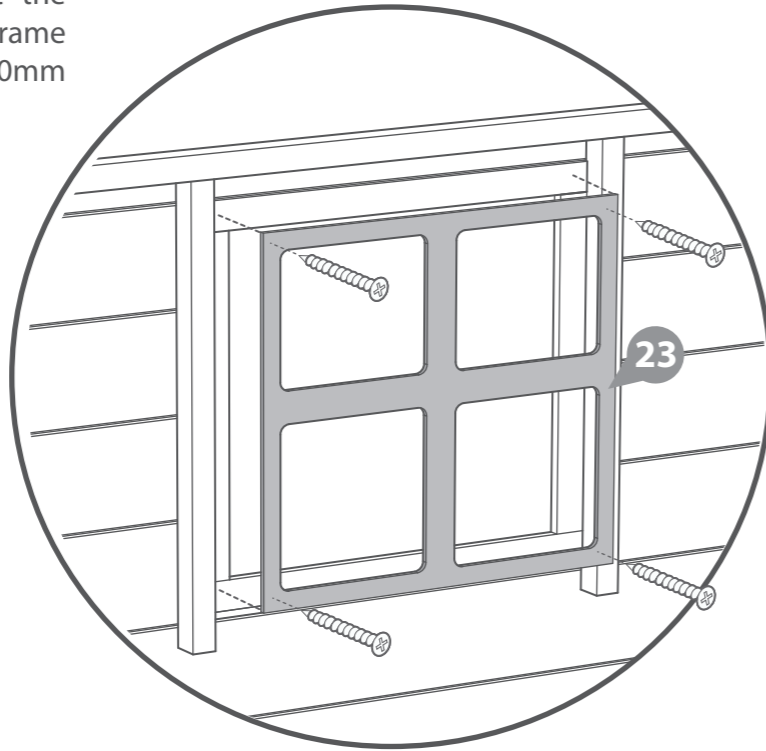


**DO NOT ALLOW YOUR CHILD TO PLAY WITH ANY COMPONENT PARTS PRIOR TO ASSEMBLY.**

**Step 12**  
Parts needed - **23**

Place a Window Cross (No. 23) against the inside of the window. Position the frame centrally to the window and fix using 4x20mm screws.

**4x20mm screws.**



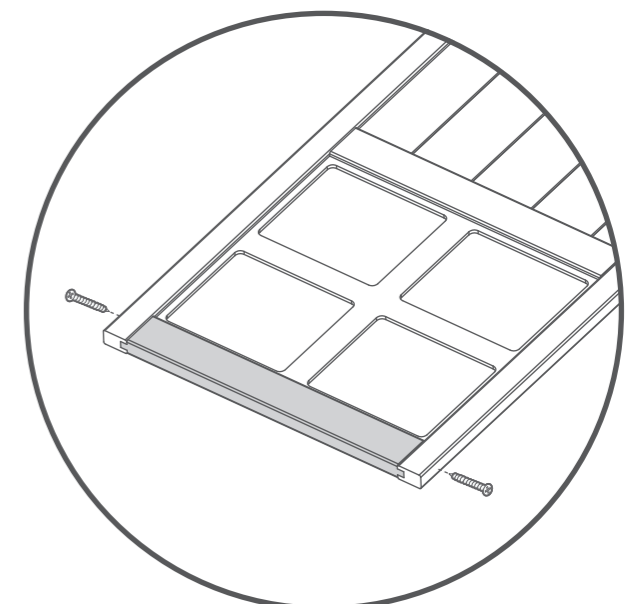
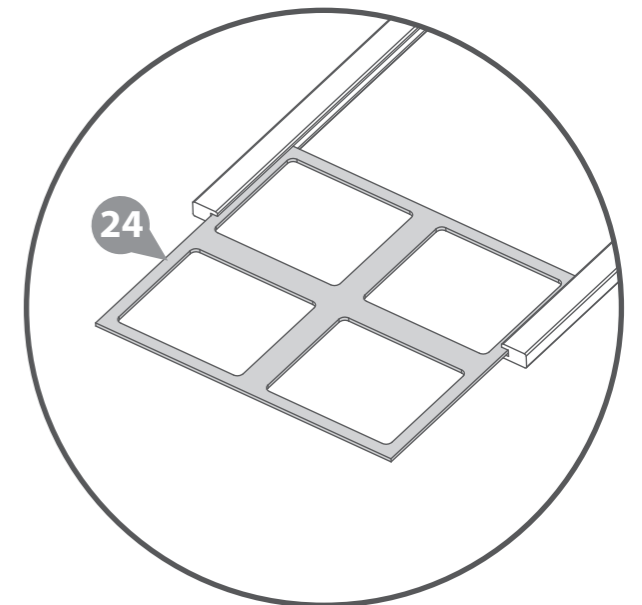
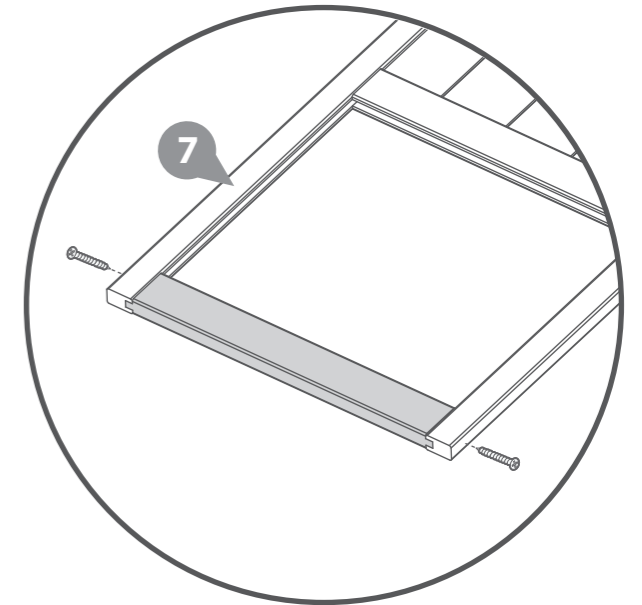
**Step 13**  
Parts needed - **7** & **24**

Remove the top rail of the door (No. 7) by unscrewing the two screws, one on each side of the door. Keeping the screws to one side.

With the top rail of the door removed peel off the film from both sides of the styrene.

Slide the door cross (No. 24) into the door channel along side the styrene.

Place the door top rail back on top of the door and fix in place using the screws previously removed.



**DO NOT ALLOW YOUR CHILD TO PLAY WITH ANY COMPONENT PARTS PRIOR TO ASSEMBLY.**



**Step 14**

Parts needed - 7 & 19 & 22

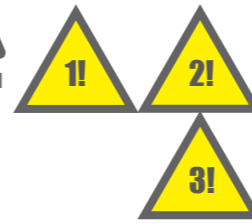
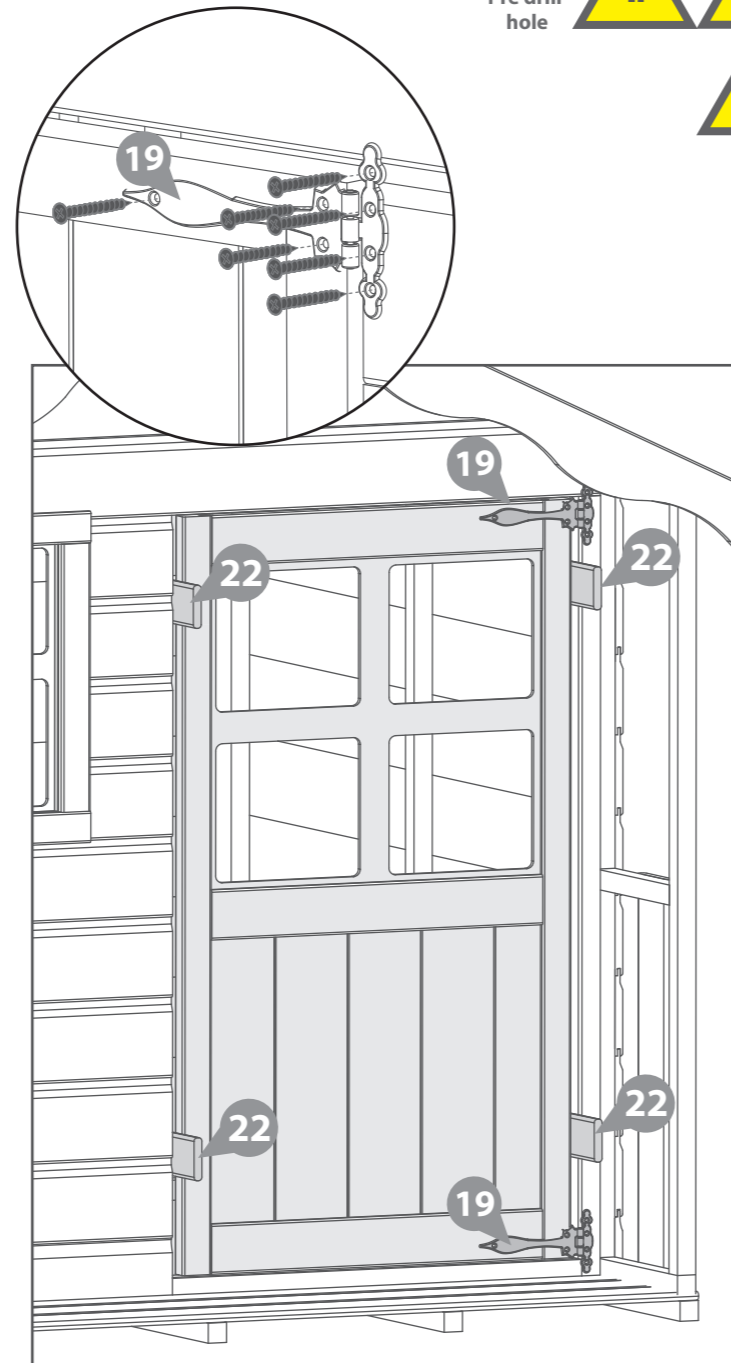
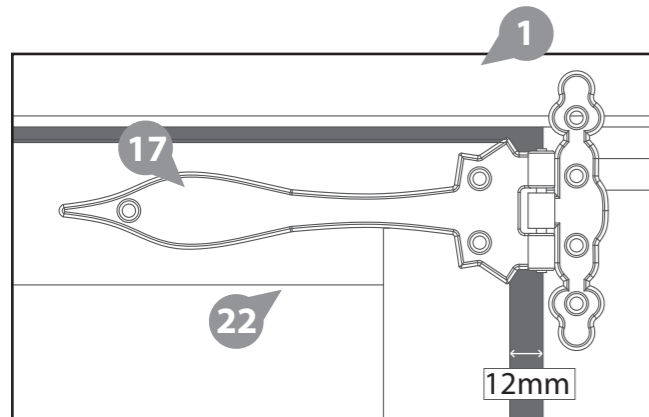
Position the Door (No.7) within the door opening of the Door Gable (No.1) with equal spacing top and bottom.

Position two Door Spacer Strips (No.22) down each side of the Door (No.7) to ensure equal spacing.

Place the Hinges (No.19) at the top and bottom of the Door (No.7), using 7x30mm black screws per hinge, fix the hinge to the door and the door gable.

14x30mm Black screws.

30mm screw



**Step 15**

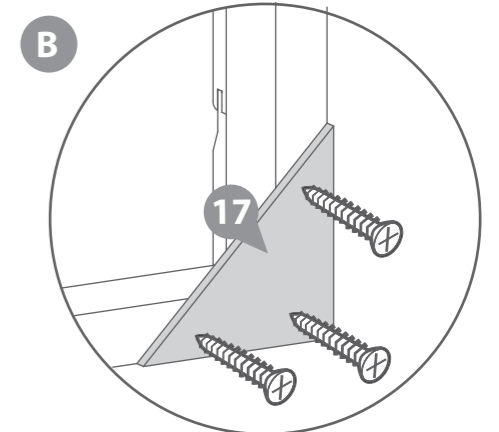
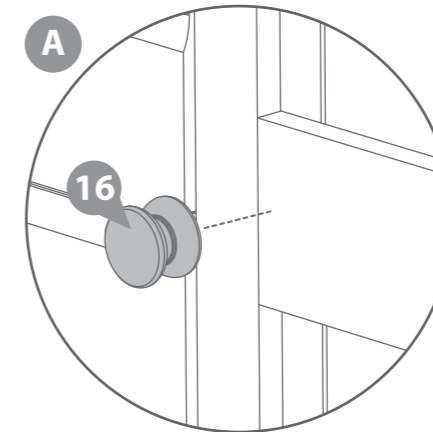
Parts needed - 16 & 17

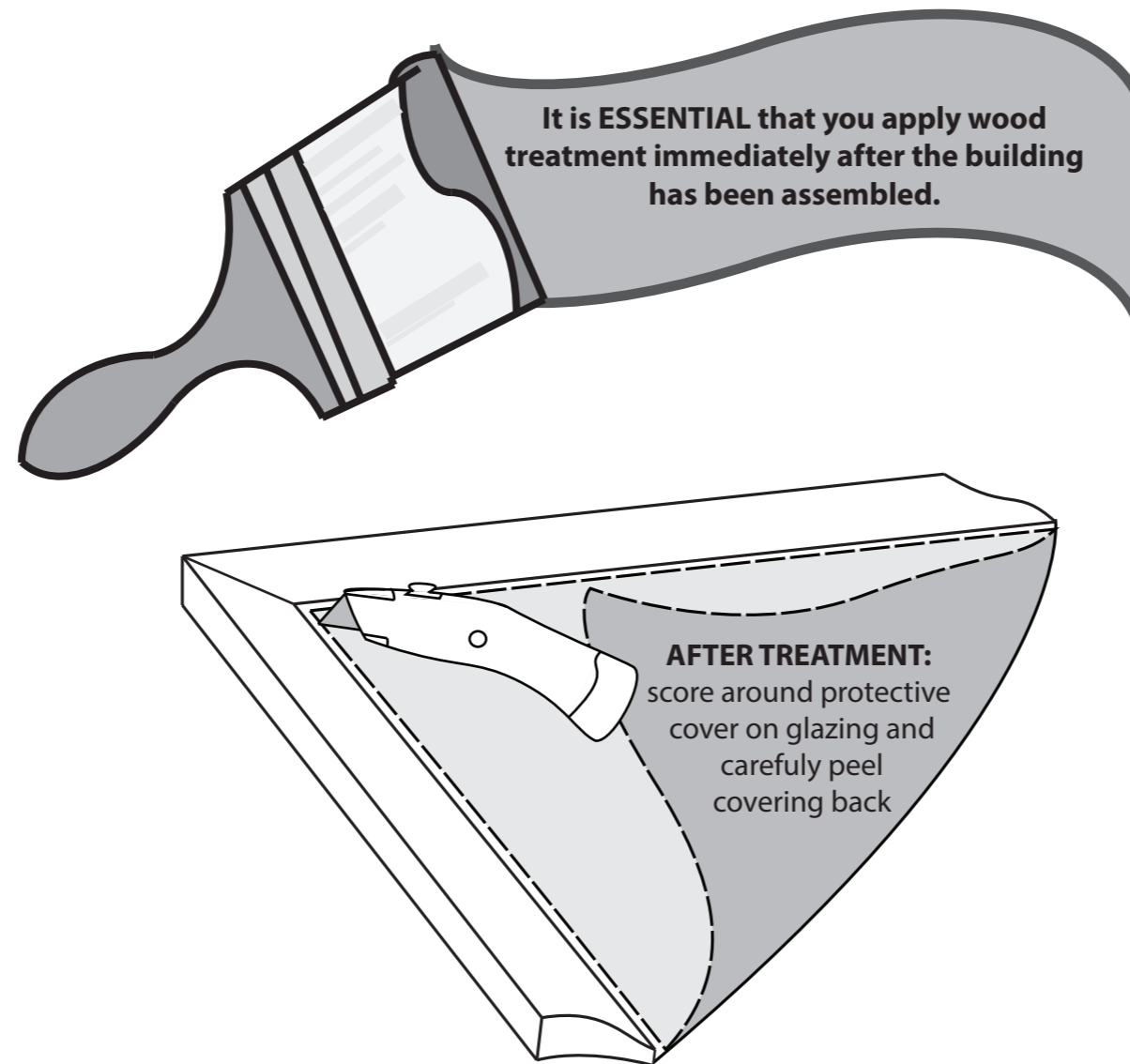
**A** Locate the Wooden Door Handle (No.16) onto the outside of the door. Fix in place by hand, screwing through the door with the screw attached to the door handle.

**B** On the inside of the door opening, fix the Ply Door Stop (No.17) to the bottom left corner using 3x20mm screws.

3x20mm screws.

20mm screw





### **Playhouse Maintenance:**

It is recommended that the following checks and maintenance are carried out at the beginning of each season as well as at regular intervals during the usage season.

- Check all nuts /bolts/ screws for tightness and tighten when required.
- Check for movement / opening of wood giving rise to protrusion of nail heads and tips.
- Check hinges.
- Replace defective parts in accordance with the manufacturers instructions.
- Check any crossbeams, suspensions and anchors.
- If a swing is included; check the swing seat, chains and ropes.

**IF THESE CHECKS ARE NOT CARRIED OUT THE ACTIVITY TOY COULD BECOME A HAZARD**

**DO NOT ALLOW YOUR CHILD TO PLAY WITH ANY COMPONENT PARTS PRIOR TO ASSEMBLY.**

All our garden buildings have been designed and manufactured with care and attention to be the perfect addition to your outdoor space. To ensure you do get the best out of your new garden building and to increase the longevity we advise that you follow the product instructions and our manufacturer's recommendations as detailed below. Thank you for choosing a Mercia Garden product!

## 1 Choosing the most suitable location for your garden building...

A minimum of 60cm should be left around the perimeter of your garden building to allow access for maintenance, annual treatment and to allow air flow around the building.

Where possible you should avoid placing your garden building underneath large trees to prevent the tree causing damage to the building.

## 2 Preparing the base for your garden building...

All our buildings must be built on a firm, level base to ensure the longevity of the building and prevent the wood from distorting. We recommend either concrete, concrete slabs or a wooden base, such as our 'Portabase'.

The base should be slightly smaller than the external measurement of the building, i.e. the cladding should overlap the base, creating a run off for water and preventing water from pooling underneath the building.

We also recommend that the floor of the garden building is a minimum of 25mm above the surrounding ground level to avoid flooding.

## 3 After installation...

Once your garden building has been installed it will need to be treated as soon as possible and annually to prevent the timber from deteriorating and to waterproof it. This is required to maintain the anti-rot guarantee.

Dip Treated buildings - Require a preservative treatment to protect against rot and decay and a waterproof treatment to prevent water ingress

Pressure Treated buildings - Require a waterproof treatment to prevent water ingress

Log Cabins/Insulated Garden Rooms - Are supplied untreated and require a preservative and waterproofing treatment

We also recommend using a silicon sealant on the inside and outside of the windows as soon as possible after assembly and treatment to fully seal the windows.

Roofing felt/covering should be checked annually and replaced or fixed accordingly.

## 4 General maintenance and wood characteristics

As wood is a natural material it may be affected by the following:

**Shrinkage and warping** - The timber used in the construction of your garden building will have retained some of its natural moisture content. The moisture content of the timber will vary, depending upon prevailing environmental conditions, which will result in the components either naturally expanding or contracting. As the components dry out shrinkage may occur. A good waterproofing treatment from the start is the best protection to minimise the effect of moisture loss/intake.

In extended periods of very warm weather getting some moisture to the building will help the overall balance. You can do this by spraying it down lightly with a garden hose. In contrast after snow fall try to remove the snow as best as possible from the roof to prevent moisture intake and to remove the extra weight.

Top tip - using a garden brush will help you to reach the highest part of the building to remove snow and any debris left from bad weather.

**Damp and mould** - During the winter months, cold and damp conditions can result in an increased amount of moisture within your garden building, especially when used infrequently. Condensation can form on the timber and other items stored within your garden building. If left this moisture is likely to cause mould and mildew. To prevent the build-up of moisture, we recommend leaving the door or windows of your building open from time to time, to allow the fresh air to circulate. We also advise against storing wet or damp items in your garden building as this will also increase the level of moisture in the building. If mould or mildew does start to form within your building we recommend using an anti-mould cleaner to remove it and to prevent it spreading, which if left untreated could permanently damage your garden building.

**Splits, cracks and knots** - You may notice small splits and cracks in some components or holes may appear where knots shrink and fall out. This will not affect the structure of your Garden building however if you wish to fill them this can be easily done using any good quality wood filler.

**Sap** - is naturally occurring in wood and may appear in some boards of your garden building. If you wish to remove the sap, we advise waiting until it is dry and then using a sharp knife to carefully remove it. If the removal of the sap causes a hole in the timber, we recommend using a good quality wood filler to fill it.

For more handy hints and tips on how to care and maintain your garden building please refer to the MGP Customer Portal at [www.mgplogistics.co.uk](http://www.mgplogistics.co.uk)

Any further questions?

Contact our  
Customer Service  
Team on:  
01636 821215

## 1 Manufacturer's Warranty

All Mercia Garden Products are supplied with a 1 year warranty on all parts against manufacturing defects.

This warranty does not cover movement, warping or splitting of timber products over time.

This warranty will be voided if any of the following occur:

1. The building has been customised or modified/adapted in any way.
2. The person claiming is not the original purchaser of the building.
3. Any damage has been caused by or as a result of misuse.
4. The building has not been maintained and cared for in accordance to our advisories and manufacturer's recommendations.
5. The building has not been treated annually or as per the manufacturer's recommendations, please ensure receipts are kept to validate this claim.
6. The building has not been erected, fitted or installed as per the supplier instructions.
7. The building has not been erected on a suitable sized firm flat, solid level concrete/slab base or placed on pressure treated bearers.
8. The building is or has been placed with 2 feet (60cm) of any obstructions (walls, trees, plants, fences etc.) which can allow moisture to penetrate the timber.
9. The roofing felt has been incorrectly fitted or damaged allowing water ingress, or not properly maintained.
10. Any windows and joints have not been sealed, inside and out, with silicone or other watertight sealant.
11. Any timber has been cut, pierced or drilled without subsequent application of approved cut-end treatment.



REGISTER FOR YOUR  
**ANTI-ROT**  
GUARANTEE TODAY

PLEASE SCAN HERE:



## 2 Anti-rot Guarantee

Mercia Garden Products offer a 10 year anti-rot guarantee on all dip treated (a preparatory treatment) and 15 years on all pressure treated products. This guarantee covers solid timber against rot, decay, blue stain and insect attack.

To validate the guarantee the building must be treated with a recognised wood preserver/water proof top coat (as detailed within manufacturer's recommendations) as soon as possible after assembly and annually thereafter.

This guarantee does not cover movement, warping or splitting of timber products over time.

This guarantee will be voided if any of the following occur:

1. The building has been customised or modified/adapted in any way.
2. The person claiming is not the original purchaser of the building.
3. Any damage is caused by or as a result of misuse.
4. The building has not been maintained and cared for in accordance to our advisories and manufacturer's recommendations.
5. The building has not been treated annually or as per the manufacturer's recommendations, please ensure receipts are kept to validate this claim.
6. The building has not been erected, fitted or installed as per the supplier instructions.
7. The building has not been erected on a suitable sized firm flat, solid level concrete/slab base or placed on pressure treated bearers.
8. The building is or has been placed with 2 feet (60cm) of any obstructions (walls, trees, plants, fences etc.) which can allow moisture to penetrate the timber.
9. The roofing felt has been incorrectly fitted or damaged allowing water ingress, or not properly maintained.
10. Any windows and joints have not been sealed, inside and out, with silicone or other watertight sealant.
11. Any timber has been cut, pierced or drilled without subsequent application of approved cut-end treatment.