

# Absco Space Saver Shed Assembly Instructions Model: J30152S

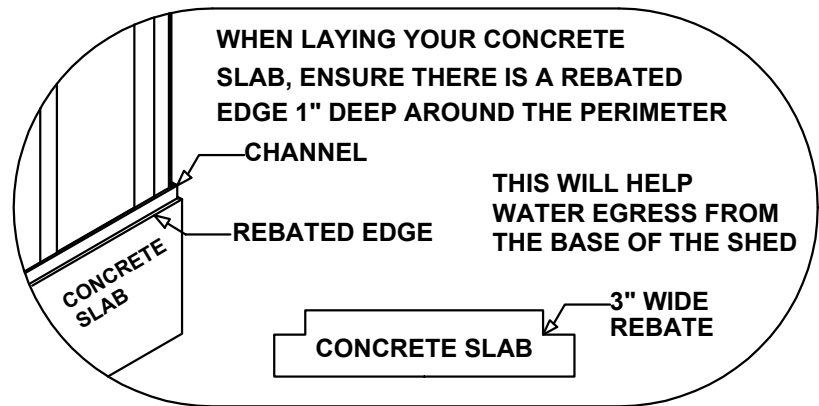
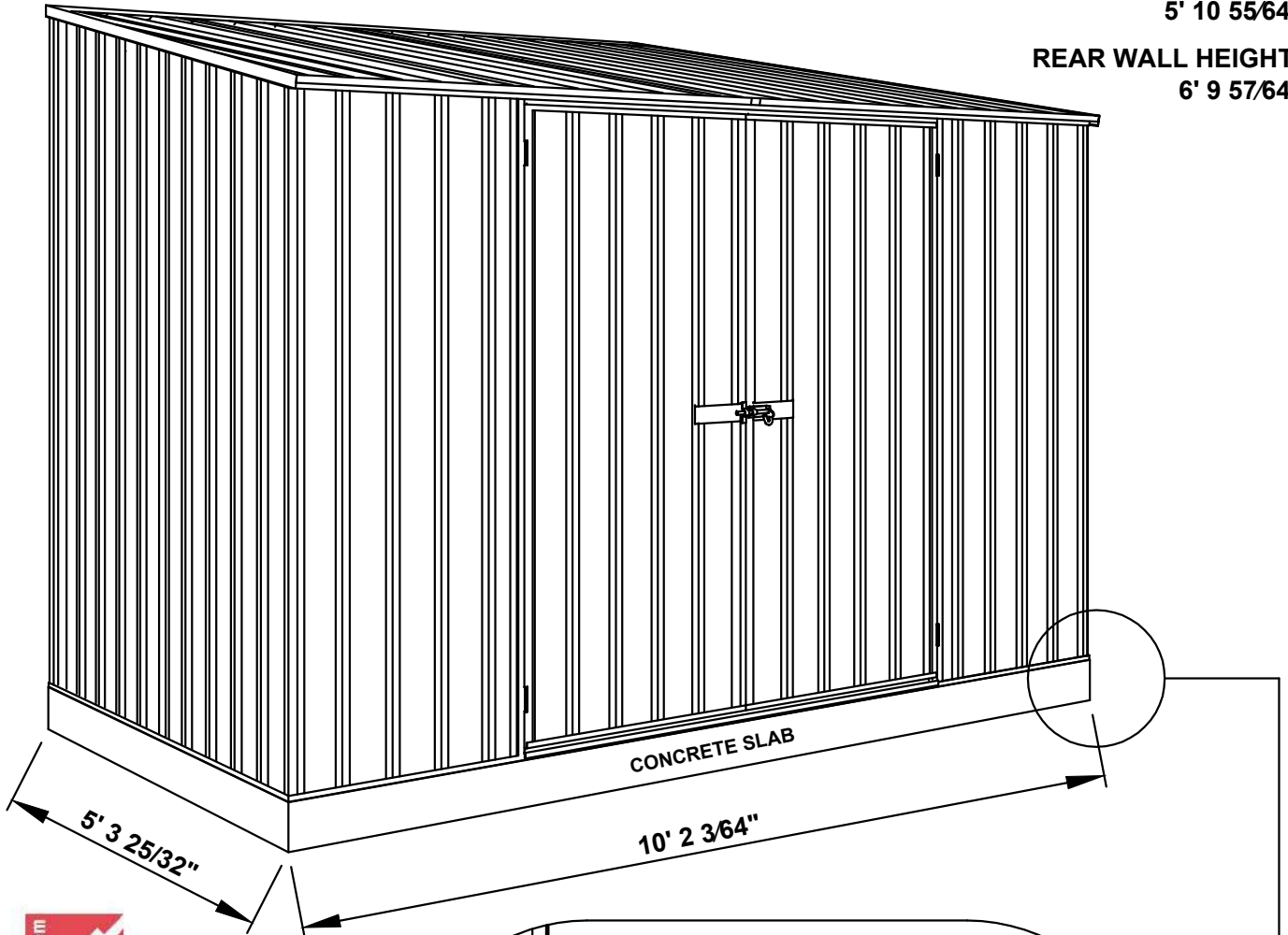


**FRONT BASE LENGTH:**  
9' 10 7/64"

**SIDE BASE LENGTH:**  
4'11 27/32"

**FRONT WALL HEIGHT:**  
5' 10 55/64"

**REAR WALL HEIGHT:**  
6' 9 57/64"



We thank you for choosing an Australian Made Shed. For further assistance please visit our detailed instructional video library at <http://www.abscosheds.com.au/usa-instruction-videos>



At ABSCO Industries we are always looking to be number ONE, so please let us know what you think of our instructions. Feedback makes us better.  
[feedback@absco.com.au](mailto:feedback@absco.com.au)

### GENERAL INSTRUCTIONS

- Before commencing any assembly, read through these instructions in detail to gain a thorough understanding of assembly methods and associated details.
- Unpack the carton and carefully identify and check off all the parts against the parts described and illustrated on pages three and four.

### SITE PREPARATION

- The site for the shed must be level.
- It is recommended that the shed be set on a 4" concrete slab and anchored down appropriately (refer last page for details).
- Anchor sets are not supplied as standard items with this product.

### TOOLS REQUIRED



Normal 1/8", 5/32"



#### OPTIONAL



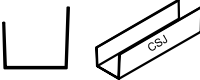
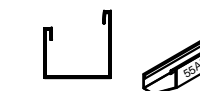
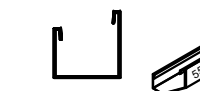

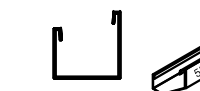

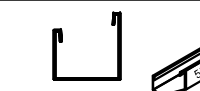

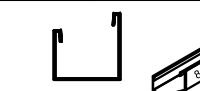

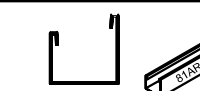
Normal 25/64"  
Masonry 25/64"

### A NOTE ON SAFETY

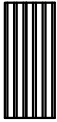

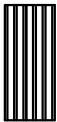




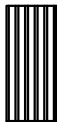

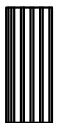



- Some parts may have sharp edges. It is advisable to wear gloves when handling these items and safety glasses if drilling holes. Sensible shoes are highly recommended.
- Do not erect your shed in windy conditions, ensure that the shed is securely anchored to a solid foundation immediately after construction is completed.
- It is highly recommended to erect the shed with two or more people.



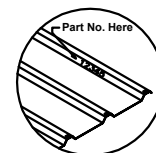
**COMPONENTS PACKING LIST - CHECK OFF ALL COMPONENTS**

QTY	COMPONENT DESCRIPTION	PART No.	CHECK	QTY	COMPONENT DESCRIPTION	PART No.	CHECK
<b>6</b>	 CHANNEL JOINER L = 7 7/8"	<b>CSJ</b>					
↓ THESE COMPONENTS ↓ ARE TO BE JOINED ↓ TO THESE COMPONENTS ↓							
<b>1</b>	 CHANNEL L = 4' 10 5/64"	<b>55AL</b>		<b>1</b>	 CHANNEL L = 4' 10 5/64"	<b>55AR</b>	
<b>1</b>	 CHANNEL L = 4' 10 5/64"	<b>55CL</b>		<b>1</b>	 CHANNEL L = 4' 10 5/64"	<b>55CR</b>	
<b>1</b>	 CHANNEL L = 4' 10 5/64"	<b>55BL</b>		<b>1</b>	 CHANNEL L = 4' 10 5/64"	<b>55BR</b>	
<b>1</b>	 CHANNEL L = 4' 10 5/64"	<b>81BL</b>		<b>1</b>	 CHANNEL L = 4' 10 5/64"	<b>81BR</b>	
<b>2</b>	 CHANNEL L = 4' 10 5/64"	<b>81AL</b>		<b>2</b>	 CHANNEL L = 4' 10 5/64"	<b>81AR</b>	


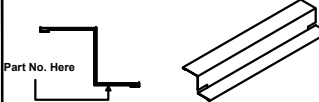
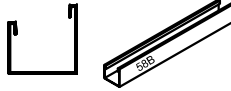
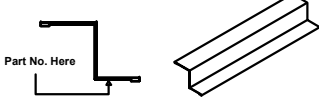
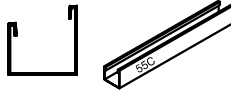
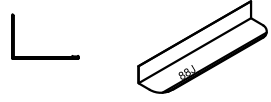
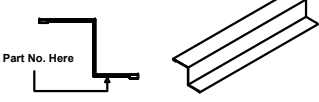
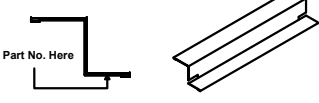
**COMPONENTS PACKING LIST - CHECK OFF ALL COMPONENTS**

QTY	COMPONENT DESCRIPTION	PART No.	CHECK	QTY	COMPONENT DESCRIPTION	PART No.	CHECK
<b>2</b>	 STEEL SHEET 6' 8 33/64" Long 2' 6 7/16" Wide	262		<b>2</b>	 CHANNEL L = 1530mm	61D	
<b>2</b>	 STEEL SHEET 6' 8 33/64" Long 2' 6 7/16" Wide	263		<b>2</b>	 CHANNEL L = 5' 15/64"	81E	
<b>1</b>	 STEEL SHEET 6' 3 25/64" Long 2' 6 7/16" Wide	260L		<b>1</b>	 CHANNEL L = 5' 1 47/64"	79A	
<b>1</b>	 STEEL SHEET 6' 3 25/64" Long 2' 6 7/16" Wide	260R		<b>1</b>	 STEEL SHEET 5' 7 29/32" Long 2' 6 7/16" Wide	B	
<b>1</b>	 STEEL SHEET 6' 8 33/64" Long 2' 6 7/16" Wide	261L		<b>2</b>	 STEEL SHEET 5' 10 9/32" Long 2' 363/64" Wide	34A	
<b>1</b>	 STEEL SHEET 6' 8 33/64" Long 2' 6 7/16" Wide	261R		<b>1</b>	 STEEL SHEET 5' 7 29/32" Long 2' 6 7/16" Wide	A	
<b>4</b>	 STEEL SHEET 5' 325/64" Long 2' 6 7/16" Wide	43S					


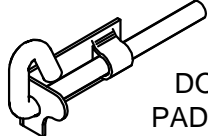

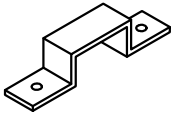

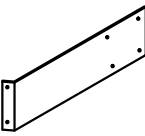
**ALL SHEETS HAVE PART NO.S LOCATED ON LOWER RIGHT OR UPPER LEFT CORNER OF COLORED SIDE AS SHOWN**



**COMPONENTS PACKING LIST - (CONT.) CHECK OFF ALL COMPONENTS**

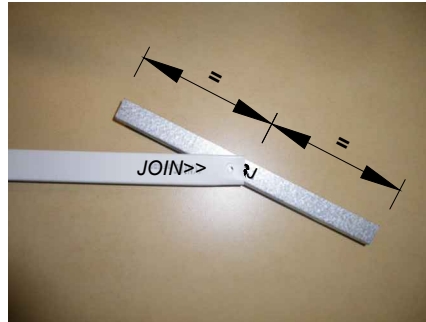
QTY	COMPONENT DESCRIPTION	PART No.	CHECK	QTY	COMPONENT DESCRIPTION	PART No.	CHECK
2	 CHANNEL WITH HINGES L = 5' 7 29/32"	58A		1	 Part No. Here JAMB L= 5' 1 47/64"	90A	
1	 CHANNEL L = 5' 7 29/32"	58B		4	 Part No. Here JAMB L= 3' 8 3/32"	91A	
4	 CHANNEL L = 2' 6 7/16"	58C		2	 LIP TRIM L= 5' 3 25/64"	88J	
2	 Part No. Here JAMB L= 5' 10 9/32"	89A					
1	 Part No. Here JAMB L= 5' 7 29/32"	89C					

### CONTENTS OF FITTINGS PACKET

220	 SELF TAPPING SCREWS			3	 DOOR PADBOLT	22A	
8	 5/32" NUT & BOLT SET SECURE TWO PADBOLTS TO DOOR SHEET			2	 DOOR PADBOLT HASP		
12	 5/32" CSK SCREW & NUT SECURE HINGES TO DOOR			2	 DOOR STRAP L: 6.5"	12A	
1	ASSEMBLY INSTRUCTIONS						

### INSTRUCTIONS FOR JOINING SPLICED CHANNELS

NOTE: THE TEXT MARKED ON ALL PARTS MUST BE SHOWN ON THE SAME SIDE AS EACH OTHER.

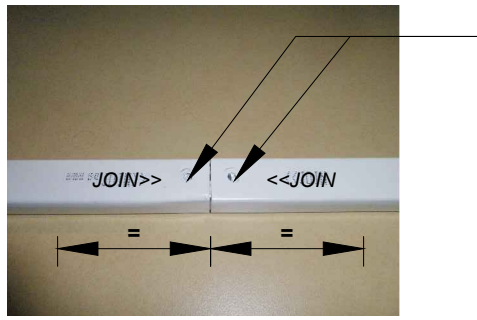
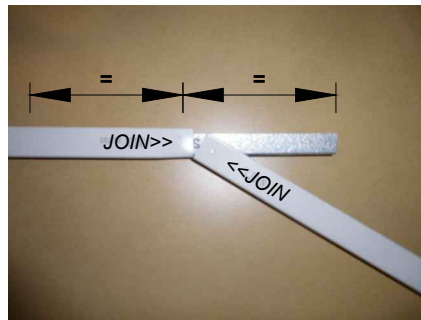


#### STEP 1.

Position the channels and the CSJ joiner channel so the center of the CSJ is in line with the end of each channel to be joined together.

#### STEP 2.

Join the first channel to the CSJ by inserting the center of the CSJ (on an angle) to the end of the channel where the JOIN>> text is marked. Push down one side of the CSJ until you hear a 'click'.



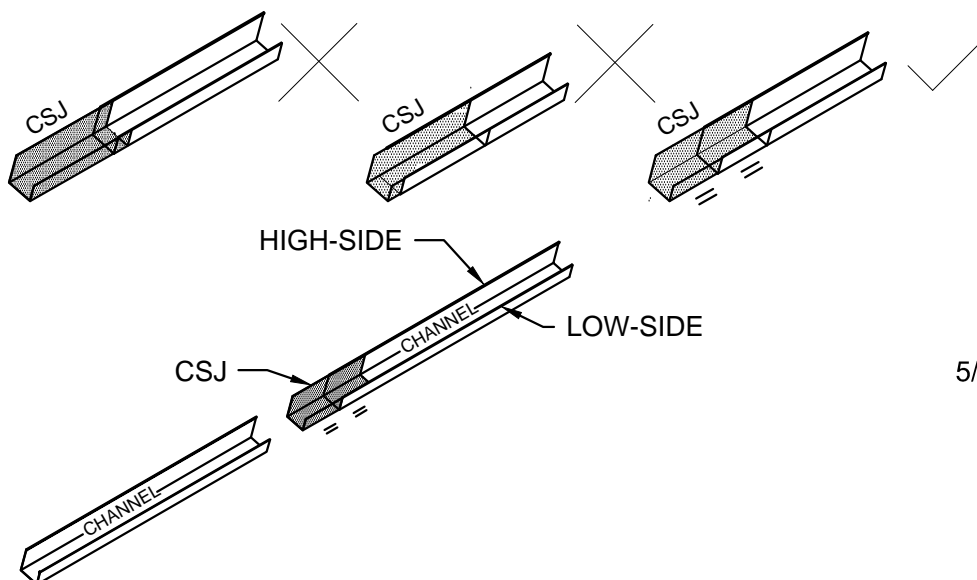
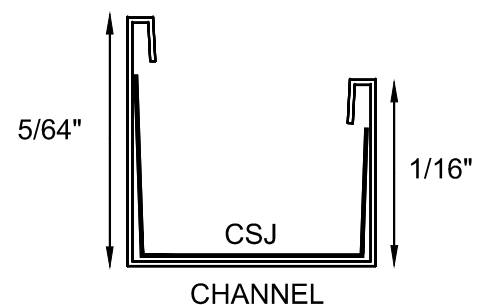
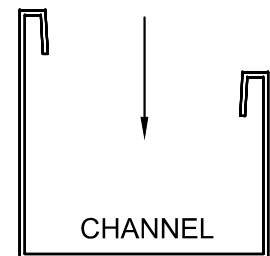
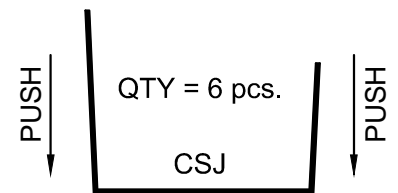
DRILL 4 x 1/8" (2 PER A SIDE) HOLES TO SECURE SECTIONS TOGETHER. (THESE SCREWS MAY HAVE TO BE TEMPORARILY REMOVED AND REPLACED DURING LATER ASSEMBLY)

#### STEP 3.

Join the second channel to the CSJ by positioning the <<JOIN end of the channel at the center of the CSJ (on an angle). Push the CSJ into the channel until you here a 'click'.

#### FINISHED CHANNEL

The joined channels should now look like the picture above with the CSJ positioned equally inside of the joined channels.

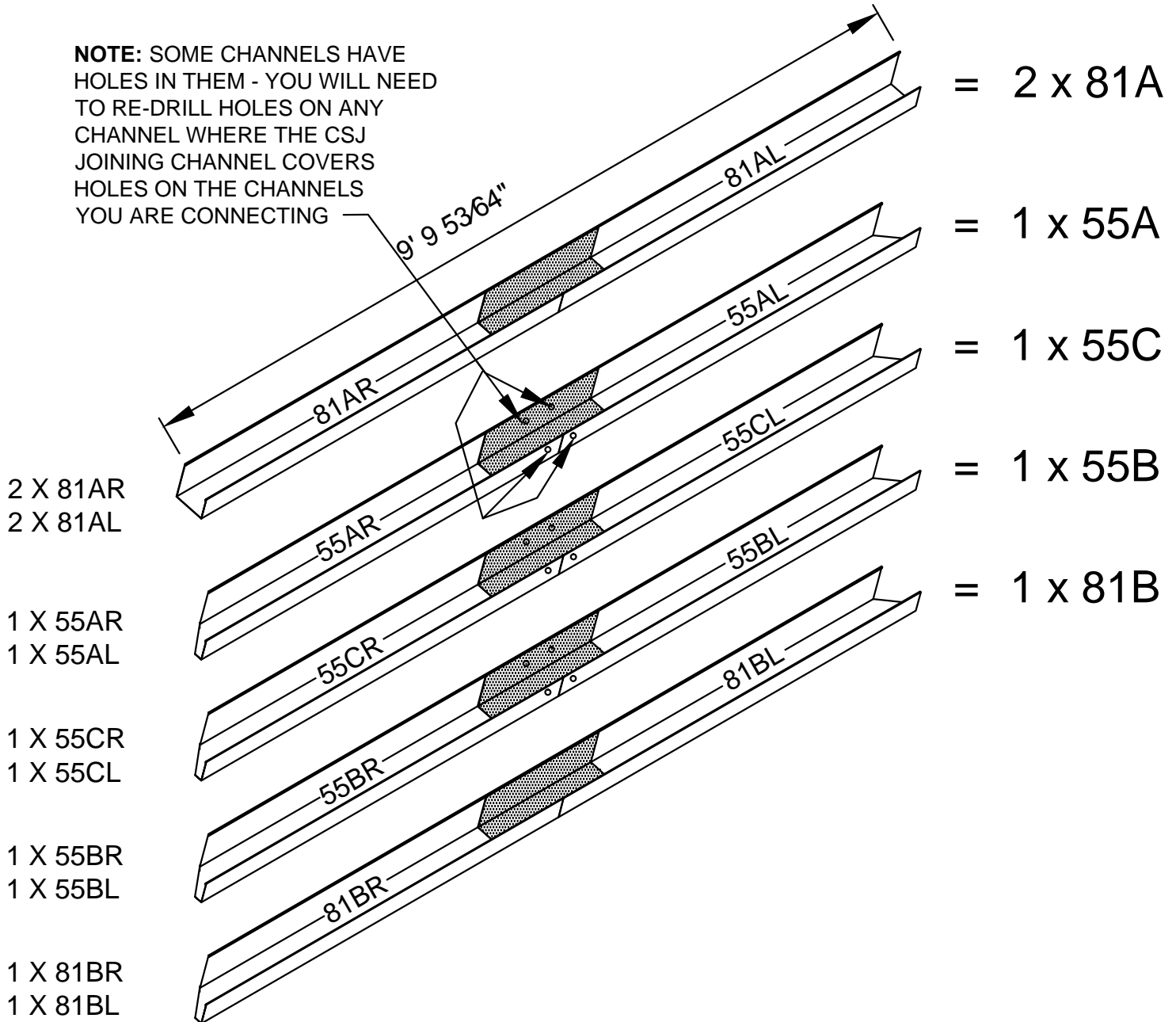




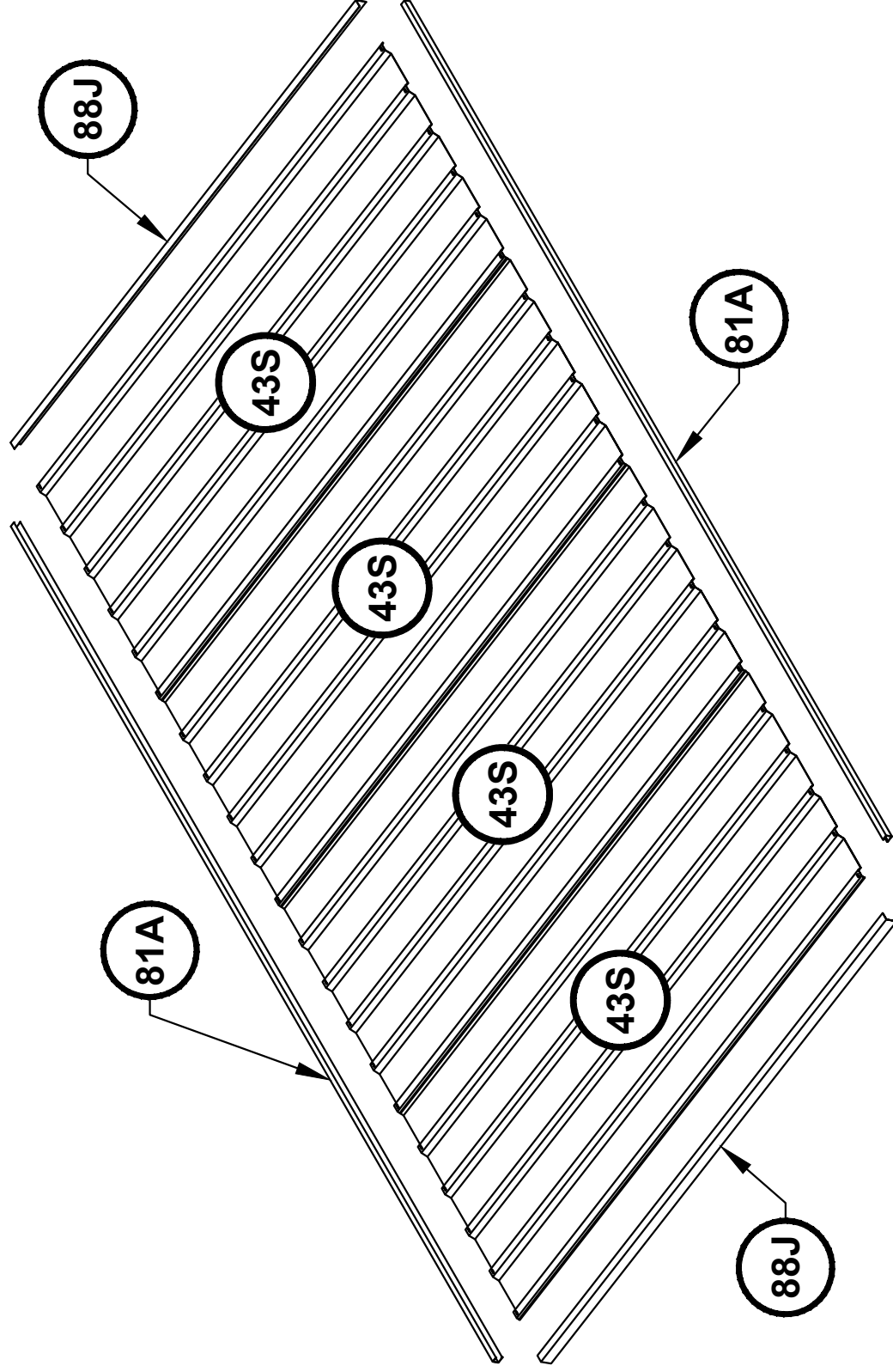
### STEP 1. PRE-ASSEMBLY OF SPLICED CHANNELS

NOTE: JOIN TOGETHER 12 X CHANNEL SECTIONS USING 6 X CHANNEL JOINERS (PART CSJ)

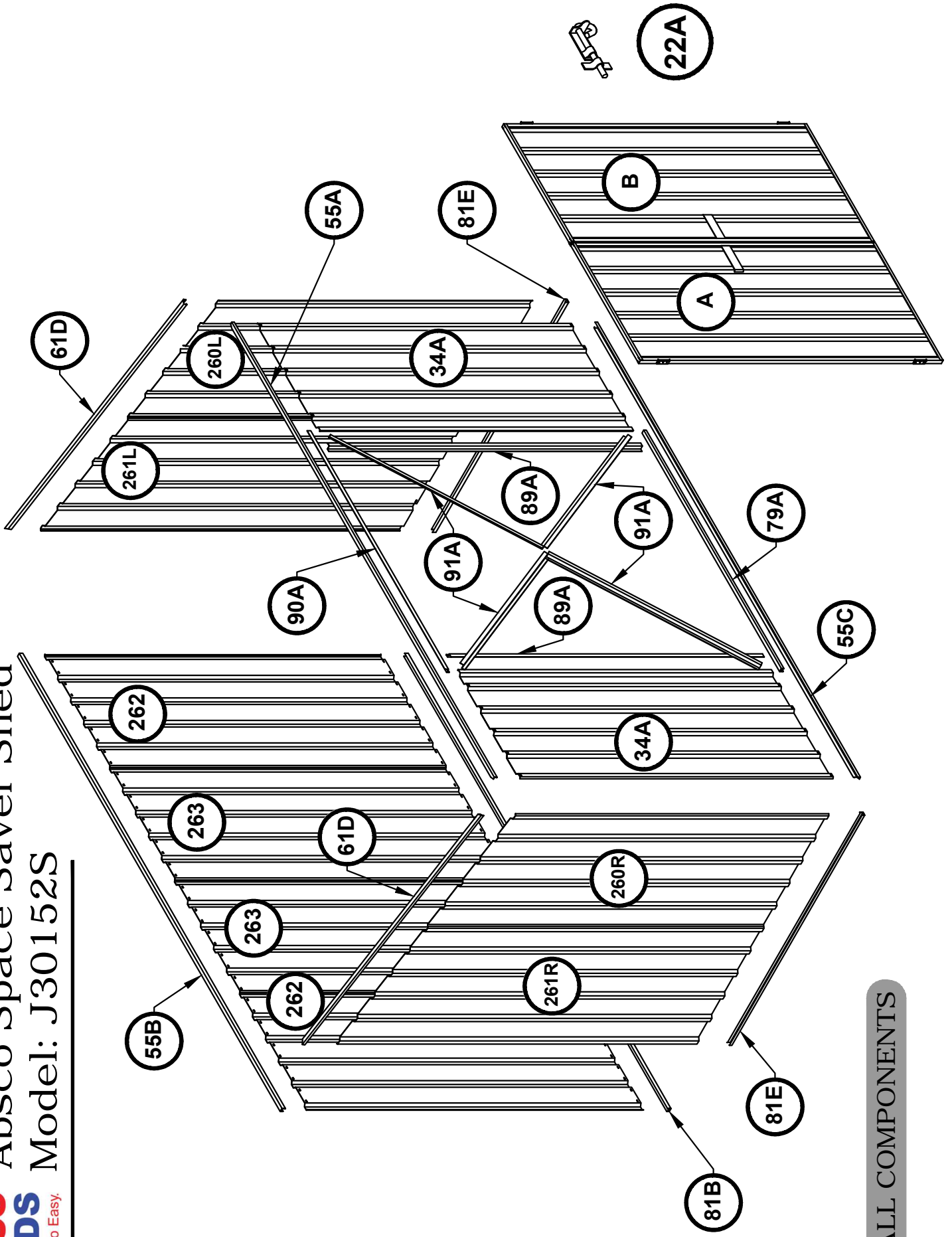
**NOTE:** SOME CHANNELS HAVE HOLES IN THEM - YOU WILL NEED TO RE-DRILL HOLES ON ANY CHANNEL WHERE THE CSJ JOINING CHANNEL COVERS HOLES ON THE CHANNELS YOU ARE CONNECTING



VIEW OF ROOF COMPONENTS



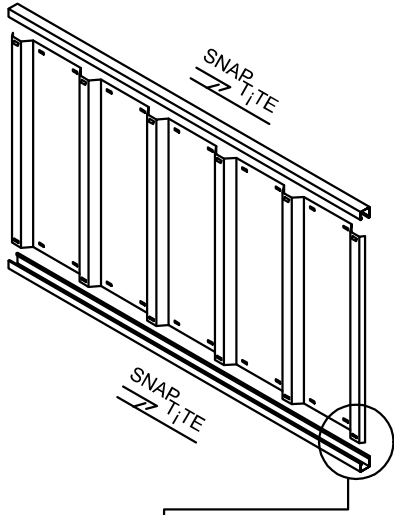




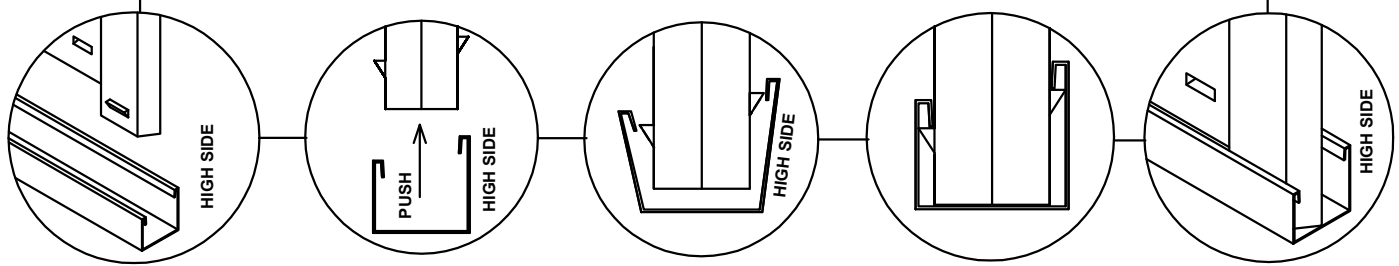
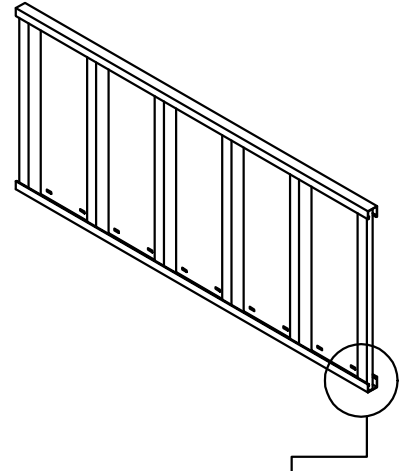
VIEW OF WALL COMPONENTS

### ABSCO ASSEMBLY INTRODUCTION

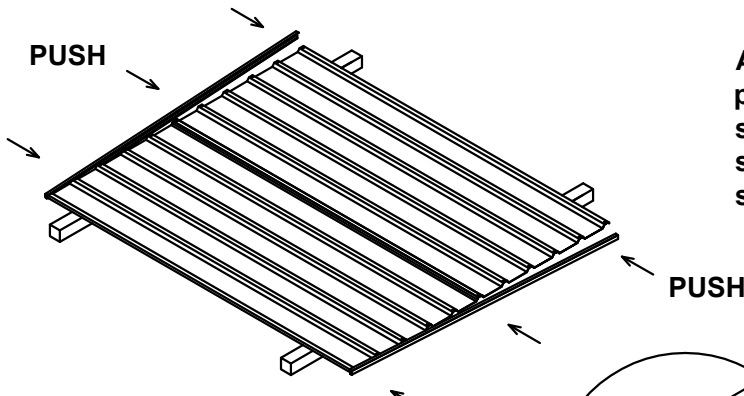
The snap-tite assembly system locks most perimeter channels to all roof and wall sheets without the need for tools and fasteners.



To pre-assemble the four wall panels and two roof panels, the perimeter channels are secured to the top and bottom of each panel using the snap-tite system, as detailed on the following pages wherever you see the symbol.



After joining sheets together, position channel over one end of the sheets, gently tapping it over the snap-tite lugs, working along the sheets to the other end.




Position sheets on timbers, trestles or partly over edge of concrete slab.


Each perimeter channel must finish flush with the edges of the sheets. the snap-tite system allows adjustment for this process by simply tapping the channel along the sheets until each end is neatly flush.

### FASTENING SYMBOLS

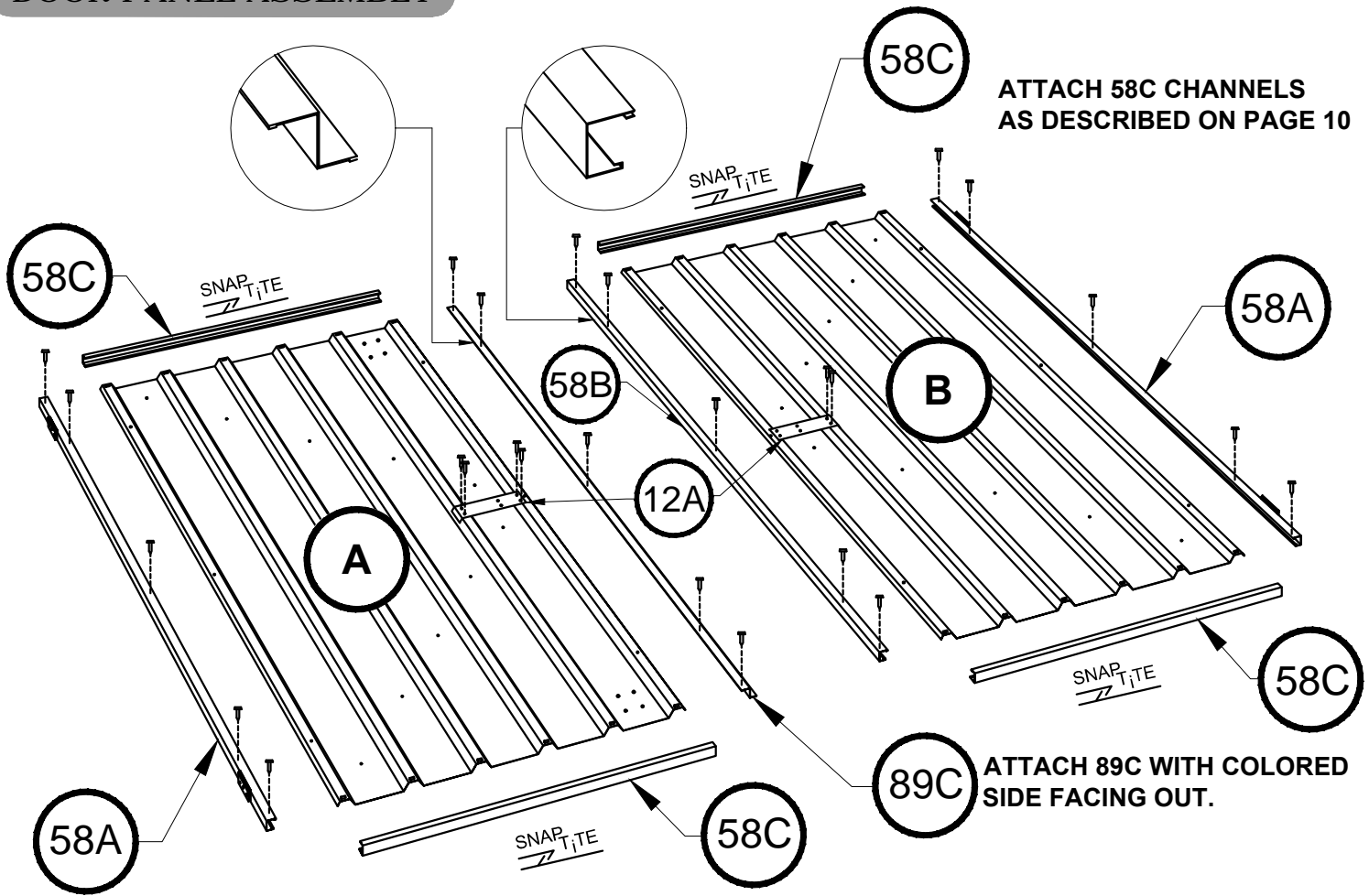
 Join components together by pre-drilling the holes first. Use one component as a template to mark where the holes are. Drill with 1/8" drill bit.

 Join components together with one screw at this location only, as some channel sections have extra holes that are not required for this model of garden shed

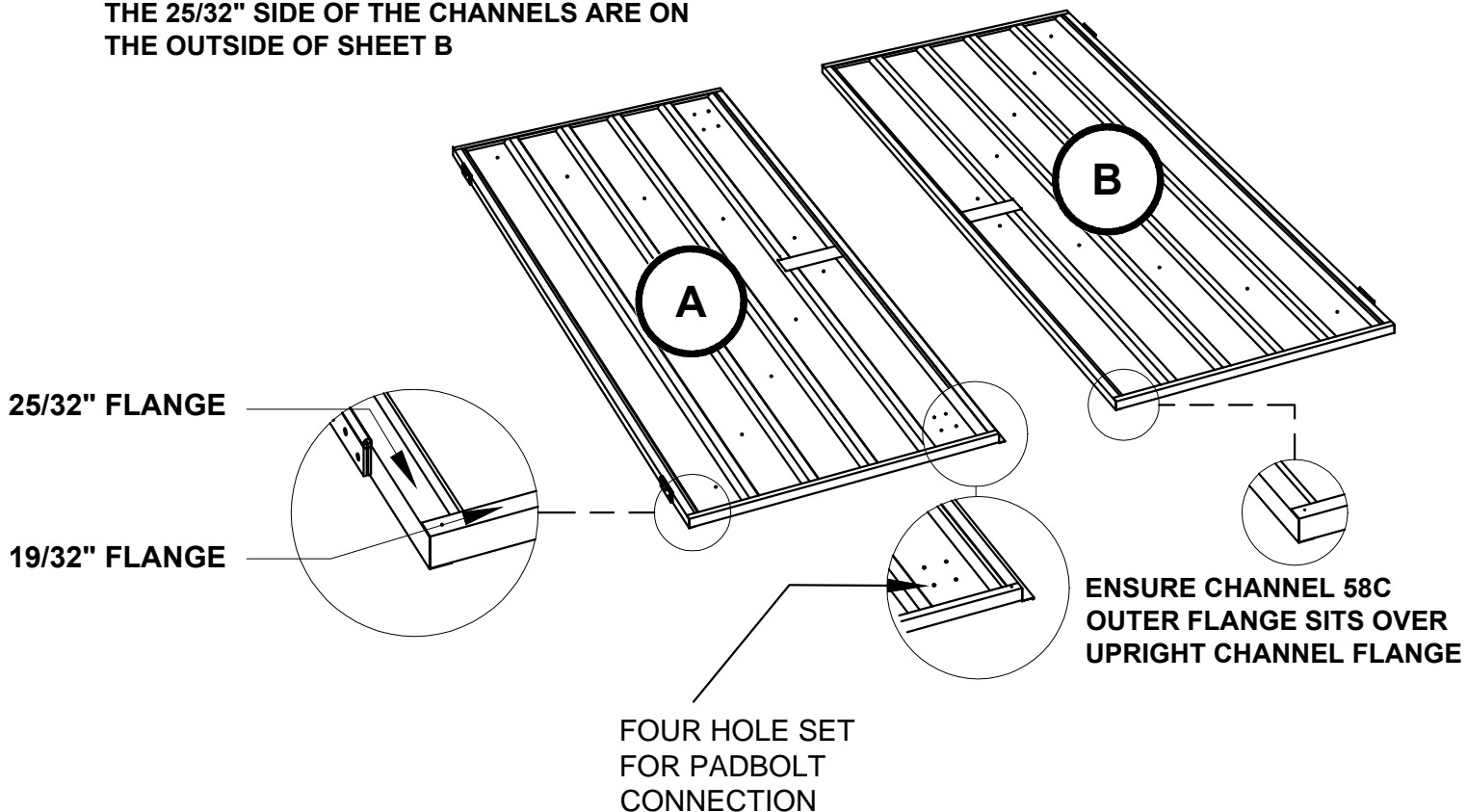
 5/32" NUT & BOLT SET

 Do not join components together at this location yet, as the screw may obstruct further assembly of other components

### DOOR PANEL ASSEMBLY

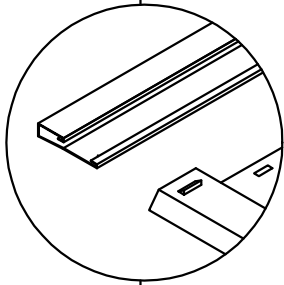
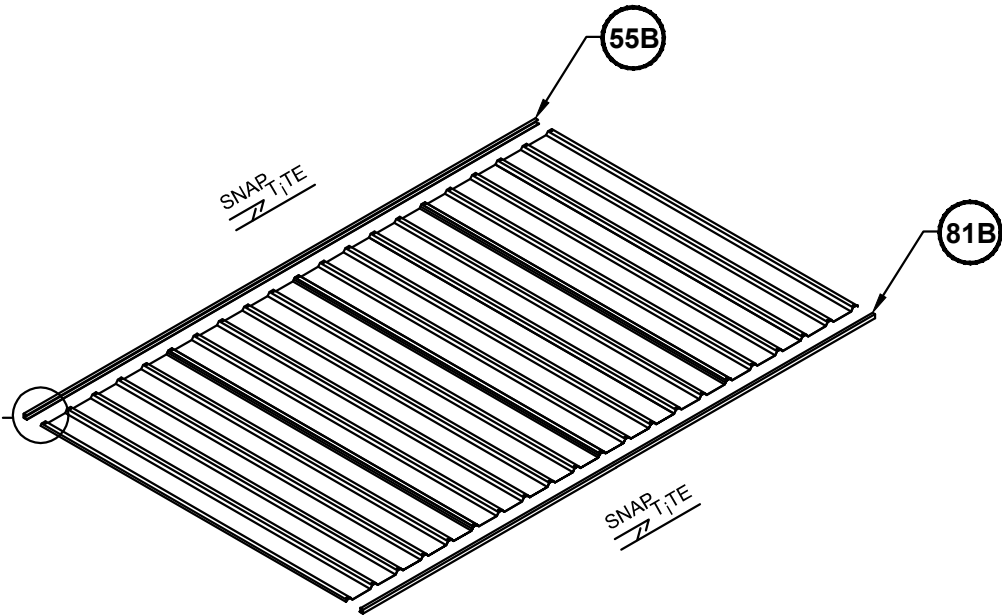
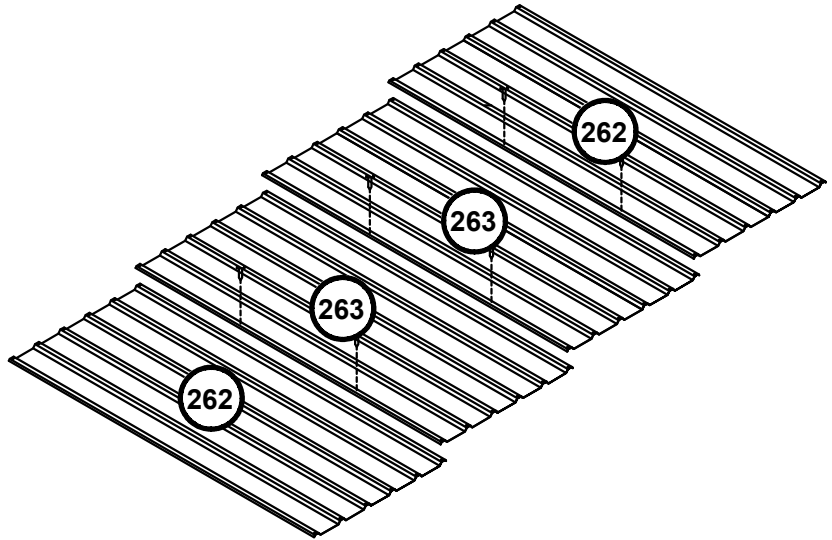


ATTACH 58A AND 58B TO SHEET B SO THAT THE 25/32" SIDE OF THE CHANNELS ARE ON THE OUTSIDE OF SHEET B

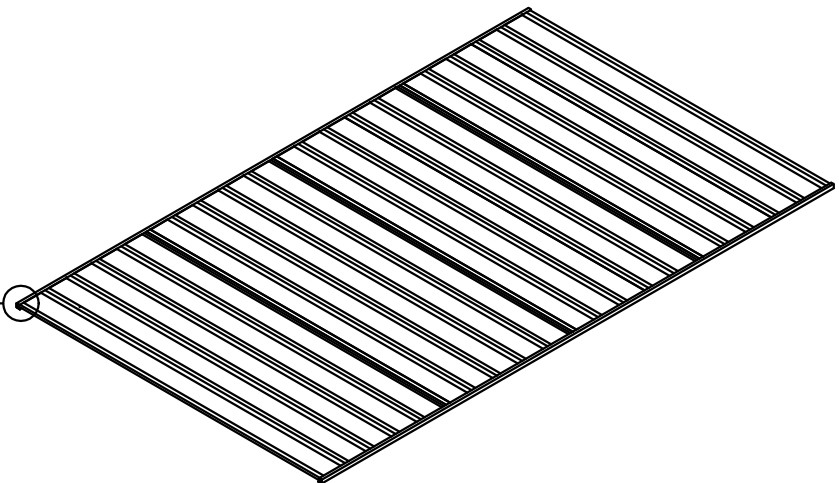
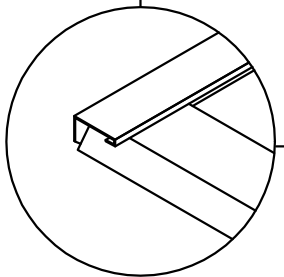


### REAR PANEL ASSEMBLY

LAY SHEETS OUT AS SHOWN



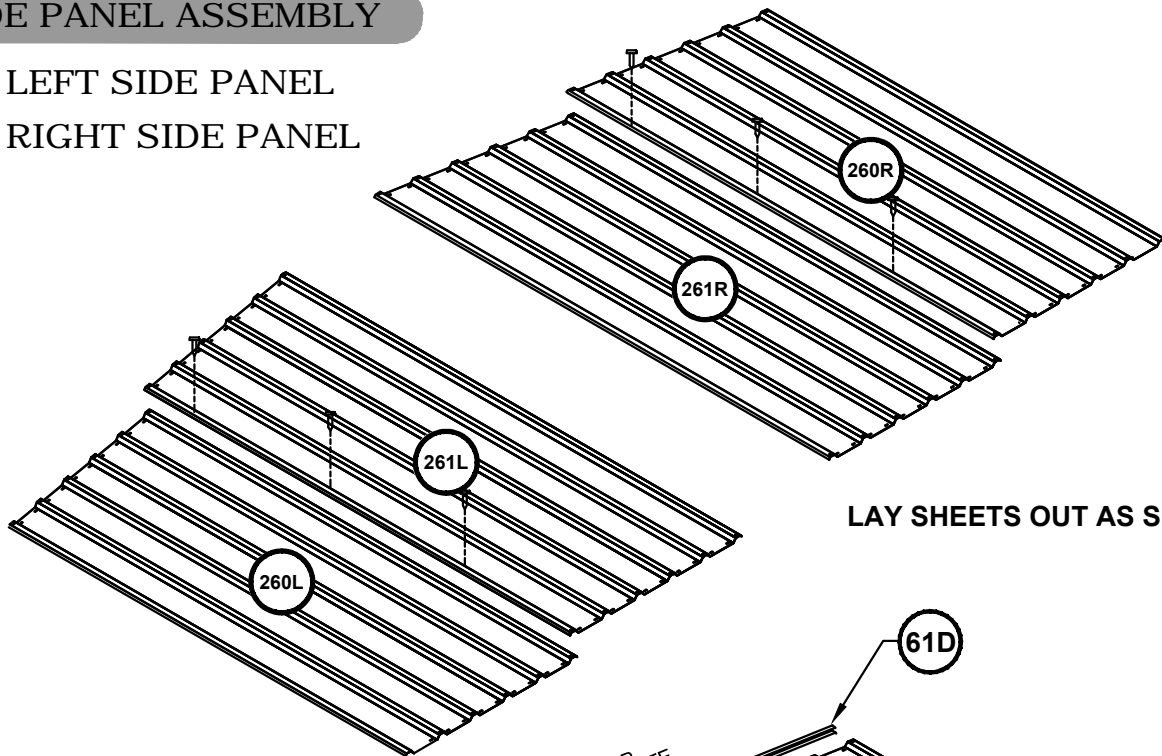
ATTACH 55B CHANNEL WITH NOTCHED END AS SHOWN



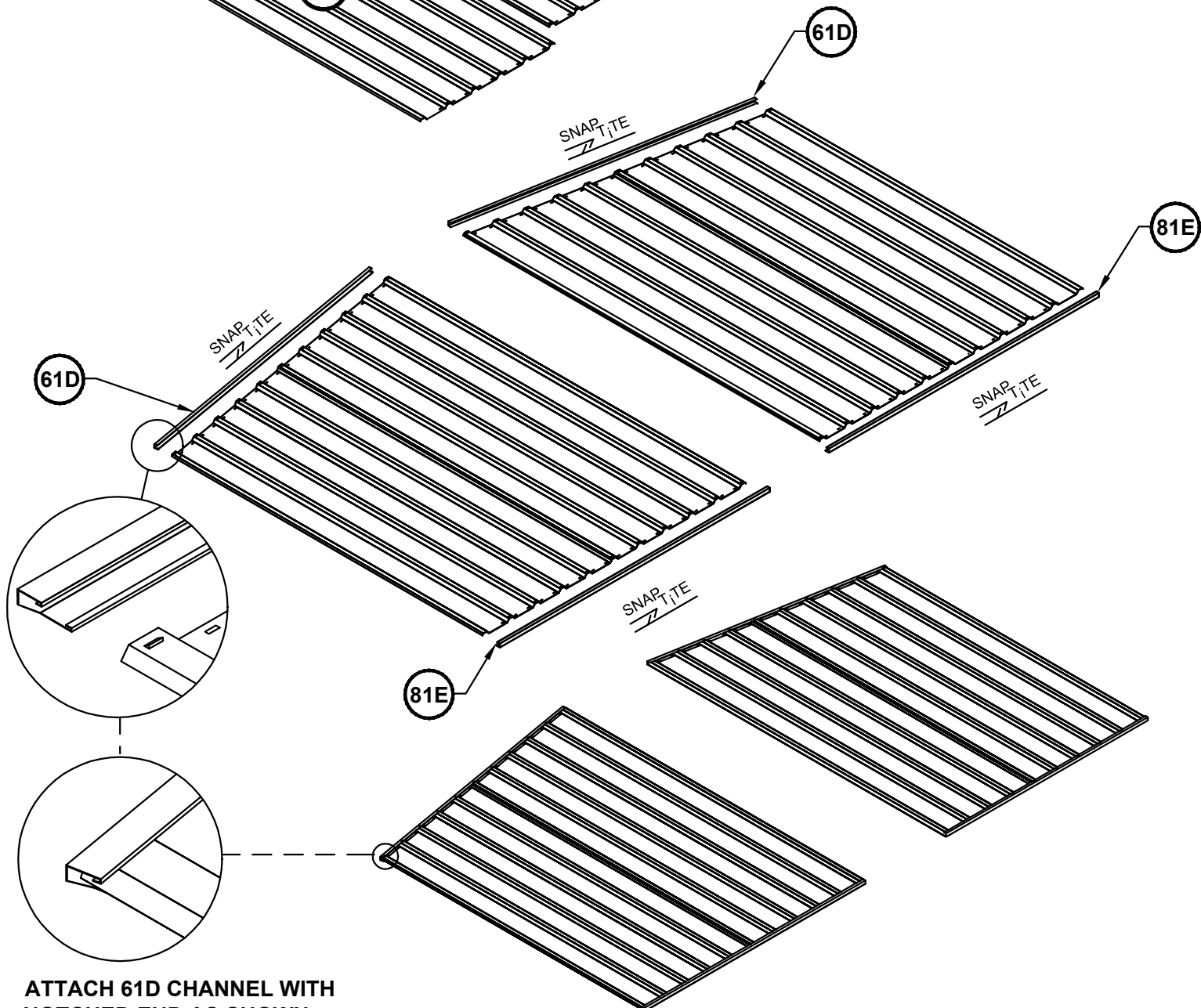
### SIDE PANEL ASSEMBLY

1 x LEFT SIDE PANEL

1 x RIGHT SIDE PANEL



LAY SHEETS OUT AS SHOWN

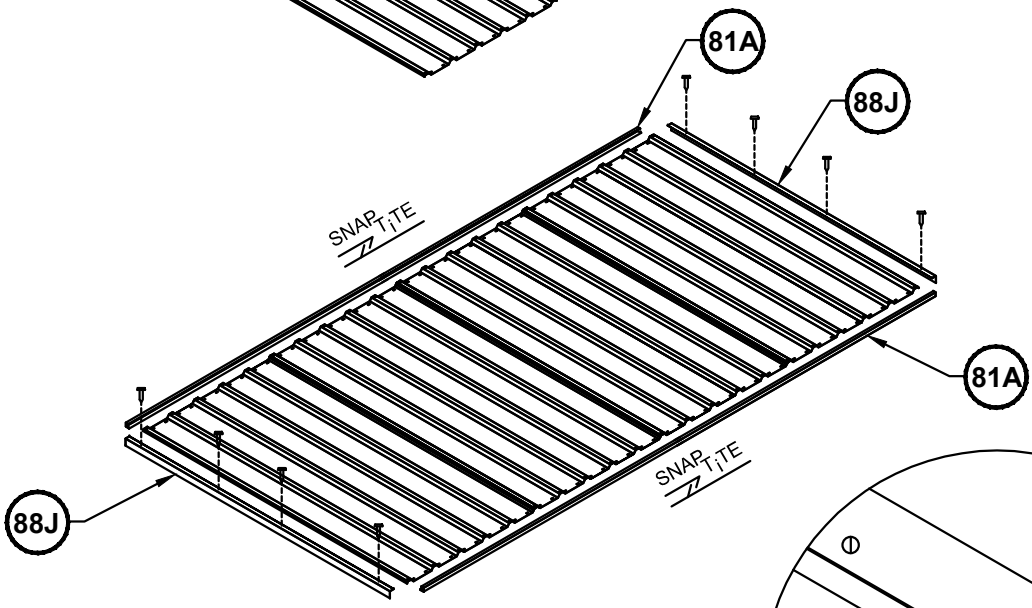
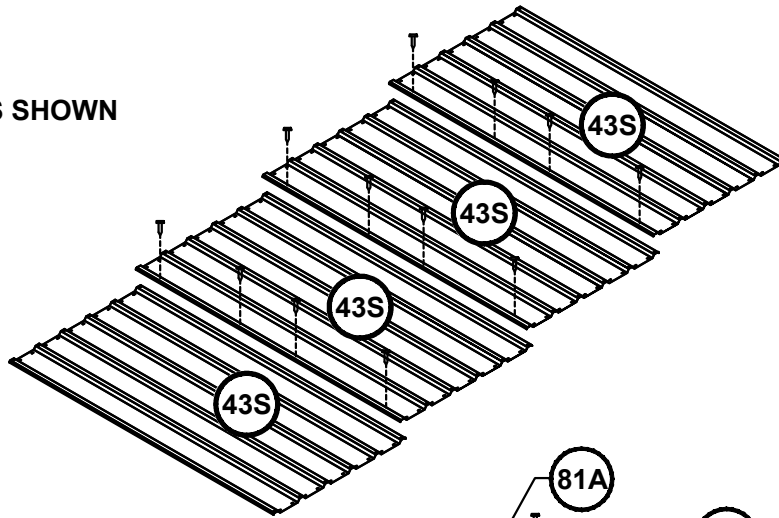


ATTACH 61D CHANNEL WITH NOTCHED END AS SHOWN

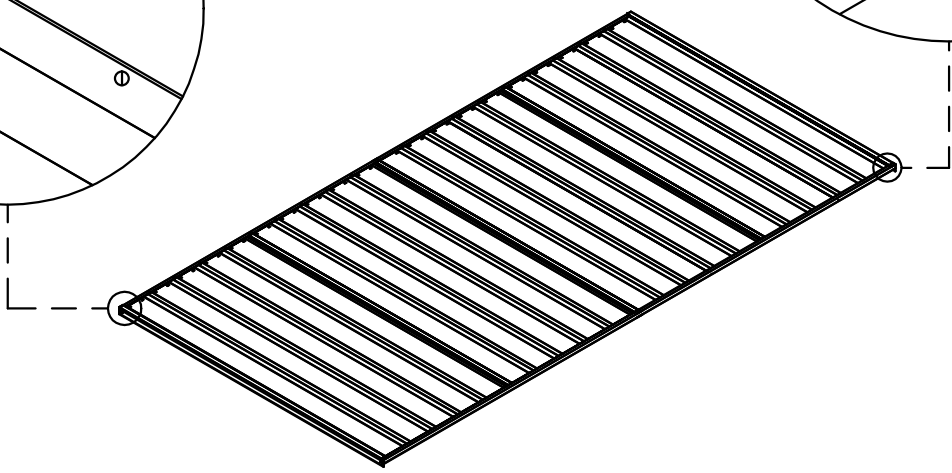
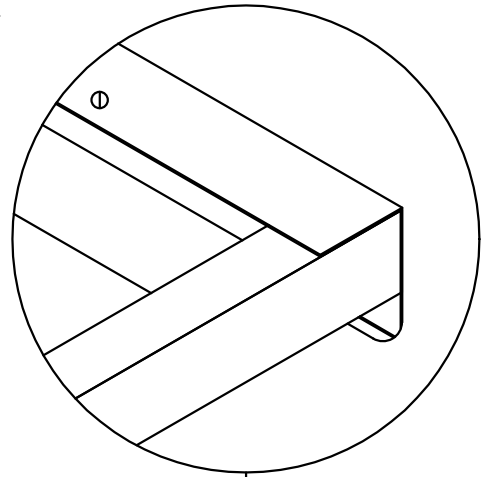
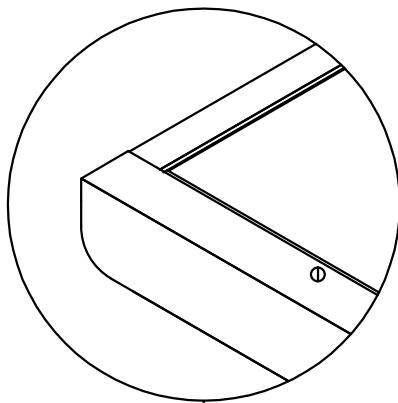


### ROOF PANEL ASSEMBLY

LAY SHEETS OUT AS SHOWN



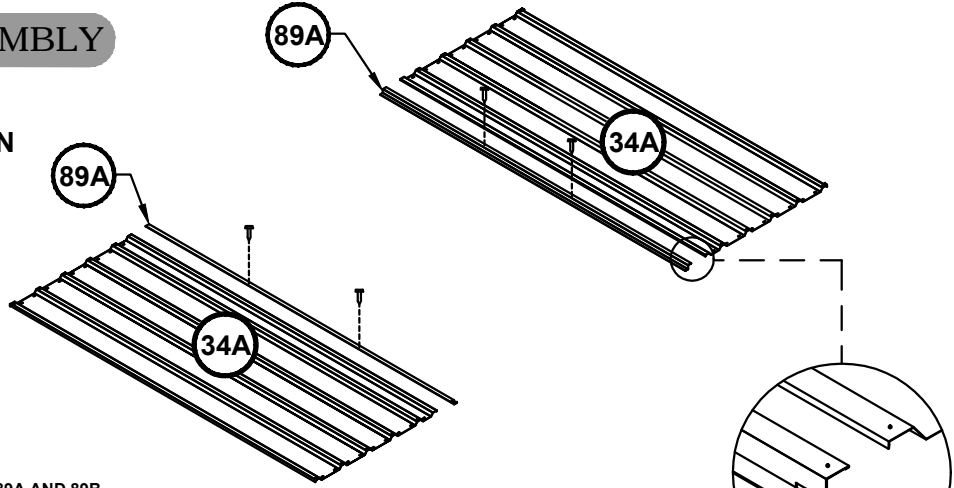
ATTACH LIPS 88J AS SHOWN.  
LIPS SHOULD OVERLAP ROOF  
CHANNEL 81A.



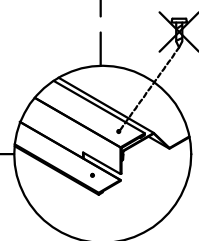
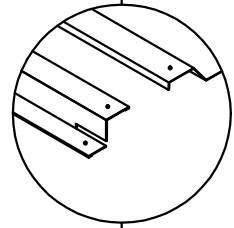
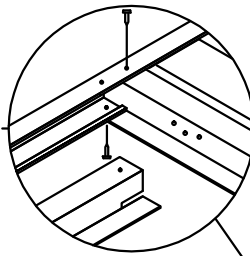
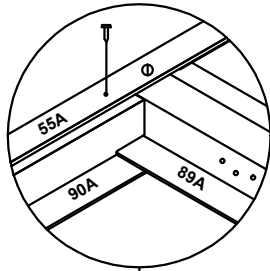


### FRONT PANEL ASSEMBLY

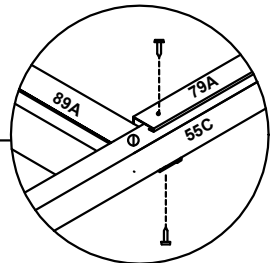
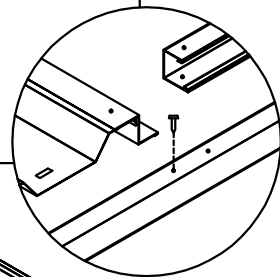
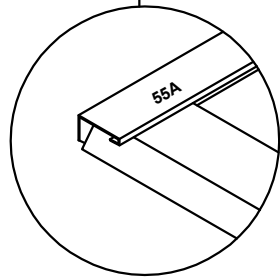
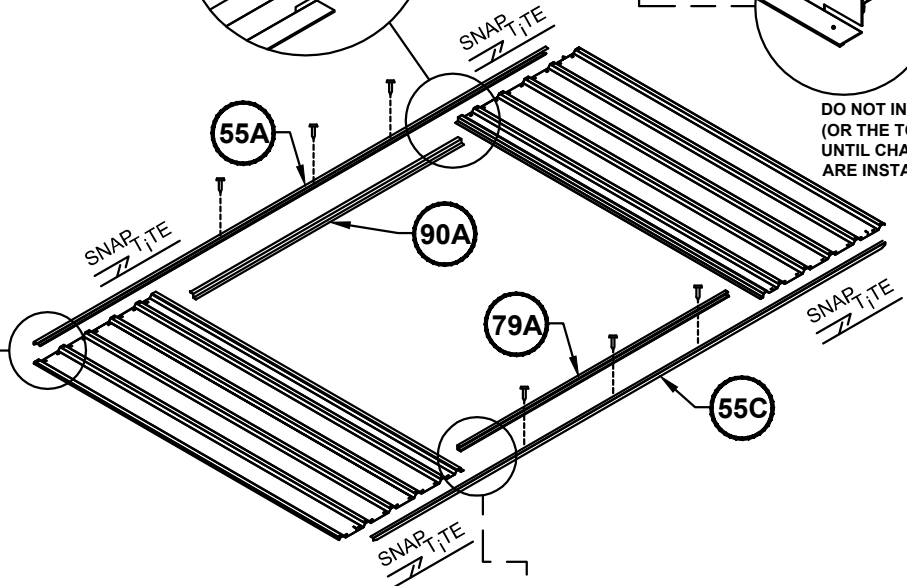
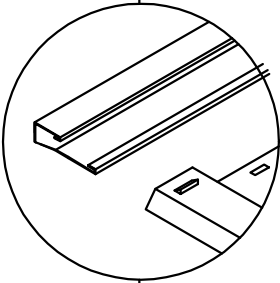
LAY SHEETS OUT AS SHOWN



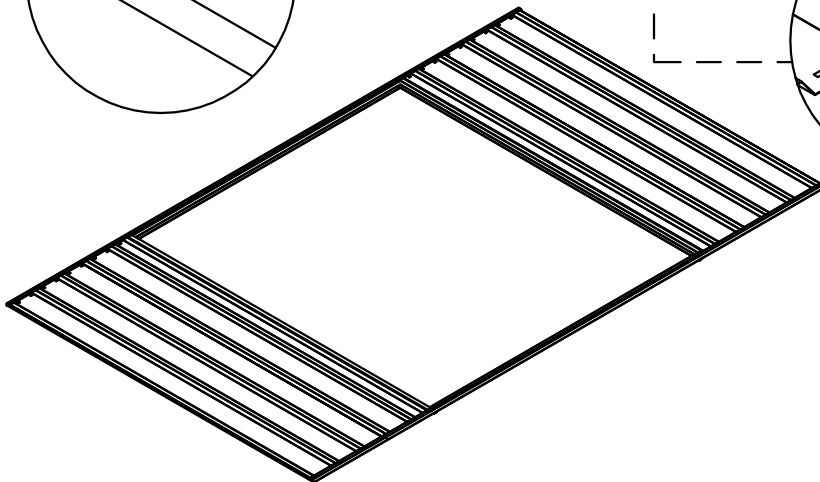
NOTCH ON JAMB 90A FITS OVER JAMB 89A AND 89B AND NOTCH ON 89B AND 89A FITS OVER 55A



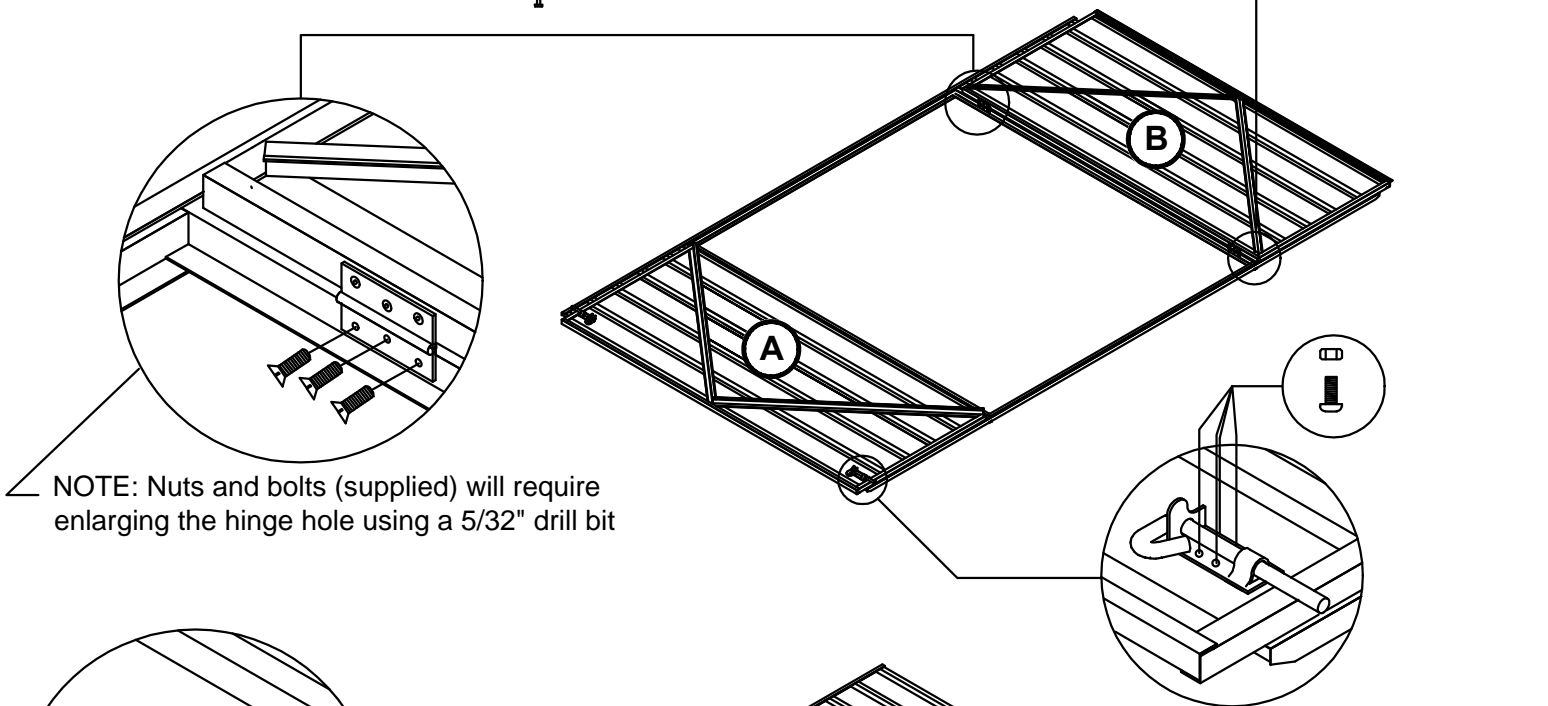
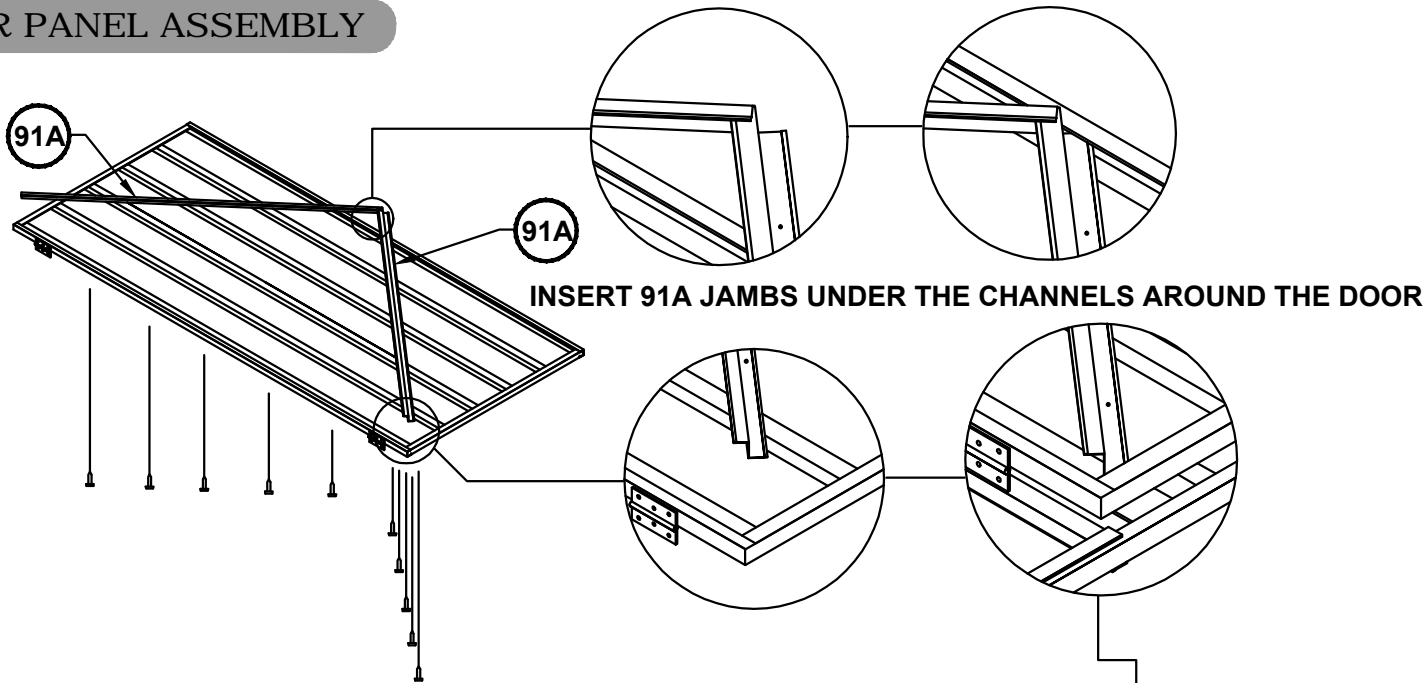
DO NOT INSTALL THIS SCREW (OR THE TOP EQUIVALENT) UNTIL CHANNELS 55A AND 55C ARE INSTALLED



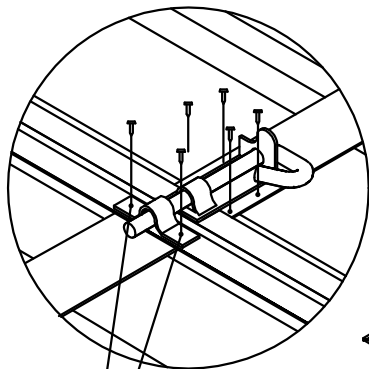
NOTCH ON JAMB 89A AND 89B FITS OVER CHANNEL 55C AND CHANNEL 79A INSERTS INTO 55C WITH SHORTEST SIDE FACING OUT.



### DOOR PANEL ASSEMBLY



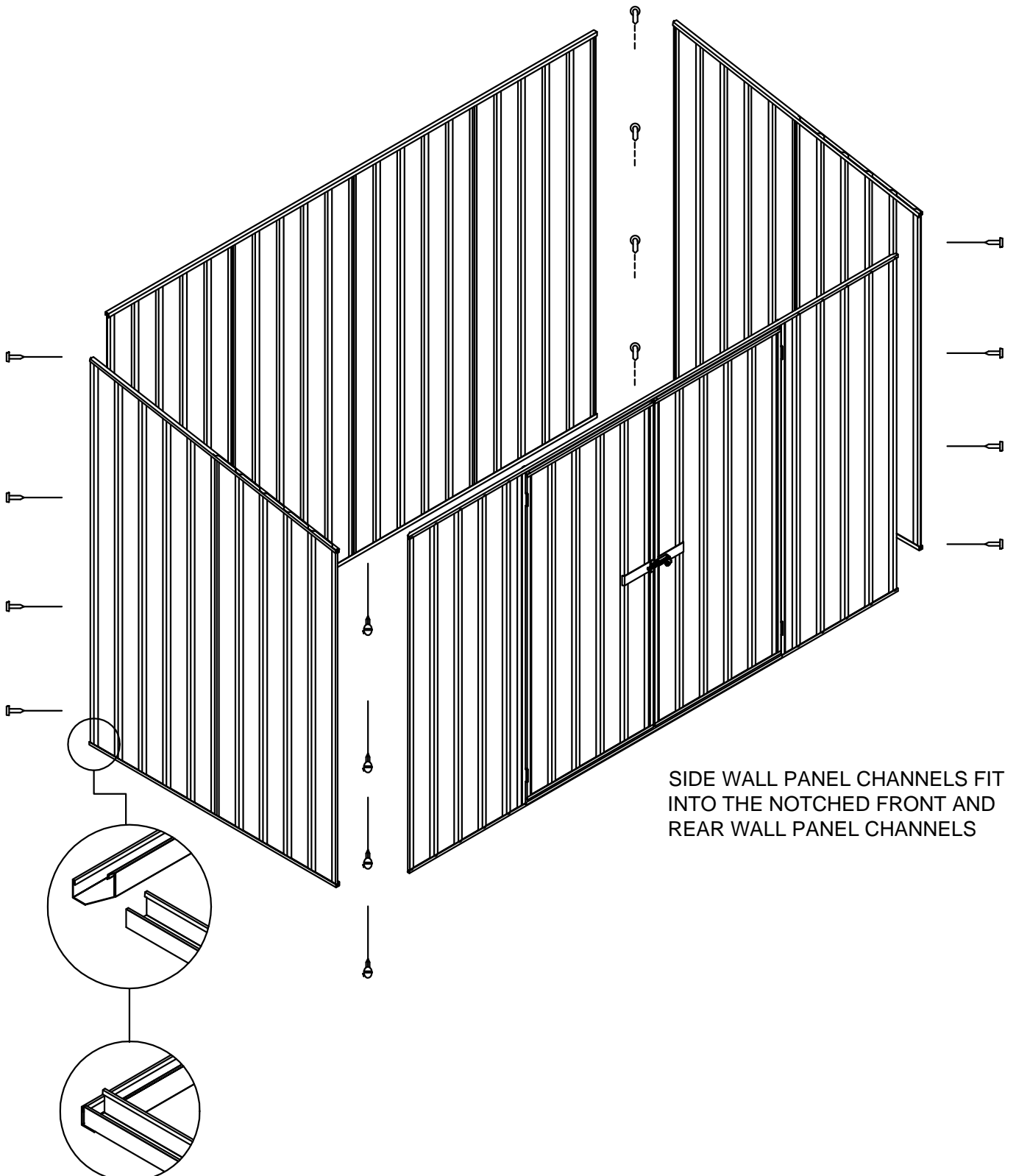
NOTE: Nuts and bolts (supplied) will require enlarging the hinge hole using a 5/32" drill bit



NOTE: The two holes required to connect the padbolt hasp for each door have not been pre-punched, to allow for proper alignment. position each hasp centrally over the padbolt shaft, and drill 1/8" holes and secure with screws

### PANEL CONSTRUCTION

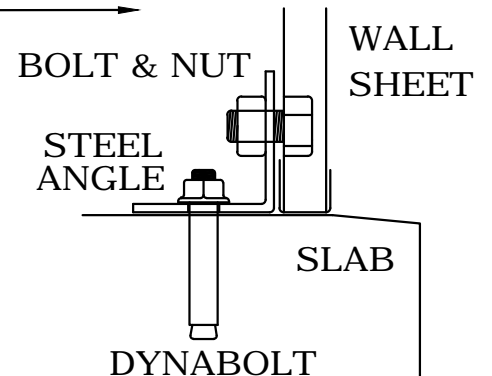
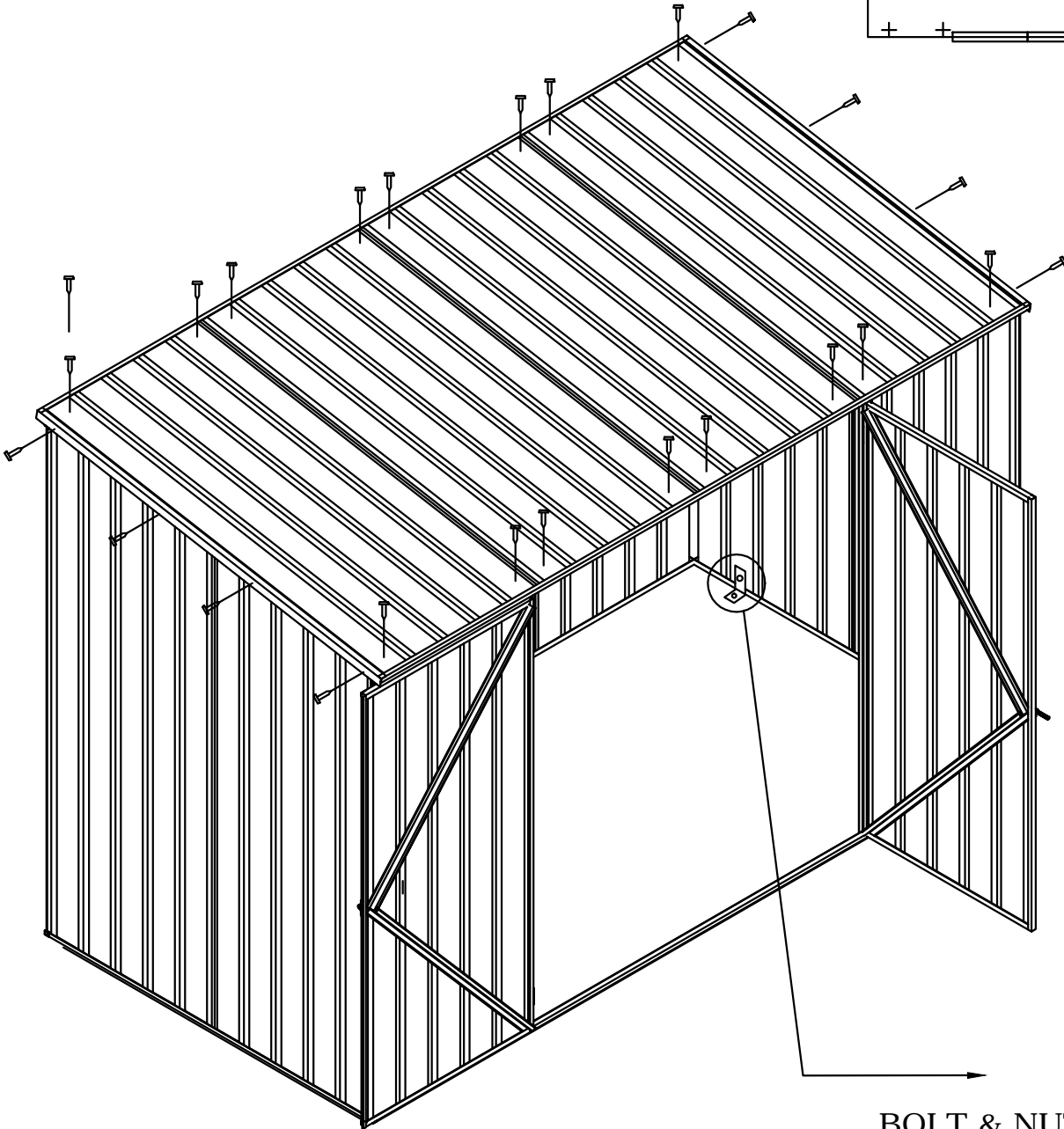
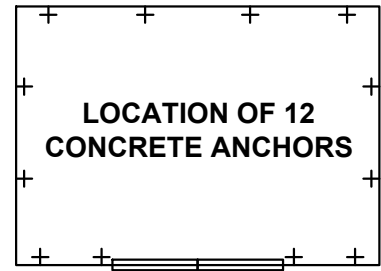
NOTE: Take care to ensure that both front and rear wall panels are not positioned upside down. The top channel of each panel is pre-punched for attaching roof sheet. The base channels are not pre-punched.



SIDE WALL PANEL CHANNELS FIT INTO THE NOTCHED FRONT AND REAR WALL PANEL CHANNELS

**FINAL CONSTRUCTION**

**ANCHORING OF SHED**



- EACH ANCHOR CONSISTS OF ONE NUT, BOLT, DYNABOLT AND STEEL ANGLE
- DRILL A 25/64" HOLE INTO THE WALL SHEET
- DRILL A 25/64" HOLE INTO THE CONCRETE