

**0634PNNE0303FGDD3TW-V1**  
**34MM 3M X 3M PENT LOG CABIN.**

**BEFORE YOU START PLEASE READ INSTRUCTIONS CAREFULLY**

- Check the pack and make sure you have all the items listed in the parts list provided.
- When you are ready to start, make sure you have the right tools at hand (not supplied - see the equipment list on next page).
- Ensure you have enough time to build the product to ensure the building is water tight.

**LOCATION FOR YOUR GARDEN BUILDING**

A minimum of 600mm should be left around the perimeter of your garden building to allow access for maintenance, annual treatment and to allow air flow around the building.

Where possible you should avoid placing your garden building underneath large trees to prevent the tree causing damage to the building.

**TIMBER**

As with all natural materials, timber can be affected during various weather conditions. For the duration of heavy or extended periods of rain, swelling of the wood panels may occur. Warping of the wood may also occur during excessive dry spells due to an interior moisture loss. Unfortunately, these processes cannot be avoided but can be helped. It is suggested that the outdoor building is sprayed with water during extended periods of warm sunshine and sheltered as much as possible during rain or snow.

Once your garden building has been installed it will need to be treated within 14 days (weather permitting) and annually to prevent the timber from deteriorating and to waterproof it. This is required to maintain the anti-rot guarantee.

Log Cabins/Insulated Garden Rooms - Are supplied untreated and require a preservative and waterproofing treatment.

**BUILDING A BASE**

When thinking about where the building and where the base is going to be constructed: Ensure that there will be access to all sides for maintenance work and annual treatment.

Ensure the base is level and is built on firm ground, to prevent movement. Refer to the contents page for the base dimensions. The base should be slightly smaller than the external measurement of the building, i.e. The cladding should overlap the base, creating a run off for water. It is also recommended that the floor be at least 25mm above the surrounding ground level to avoid flooding.

**TYPES OF BASE**

- Concrete 75mm laid on top of 75mm hard-core.
- Slabs laid on 50mm of sharp sand.
- Wooden base - Levelled / on posts / ground screws.

Whilst all products manufactured are made to the highest standards of safety and in the case of children's products independently tested to EN71 level, we cannot accept responsibility for your safety whilst erecting or using this product.



**x2** All building's should be erected by two adults



Winter = High Moisture = Expansion  
 Summer = Low Moisture = Contraction



**2mm Drill bit**

For ease of assembly, you **MUST** pilot drill all screw holes and ensure all screw heads are countersunk.



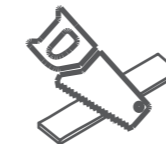
**CAUTION**  
 Every effort has been made during the manufacturing process to eliminate the prospect of splinters on rough surfaces of the timber. You are strongly advised to wear gloves when working with or handling rough sawn timber.



For ease of assembly use a rubber mallet to fit the log boards. Do NOT use a heavy hammer.



Ensure to measure and check before cutting boards.



It is advisable to use a hand saw when cutting roof and floor boards.



To ensure log boards are even, use a spirit level to check each layer has been installed correctly.

**Screws & Nails**



**Bolts**



To identify the fixings required for each step use a measuring tape.

**10 YEARS**  
ANTI-ROT GUARANTEE

**REGISTER FOR YOUR**

**ANTI-ROT**

**GUARANTEE TODAY**

PLEASE SCAN HERE:

In all instances for assistance with your product, please contact us via our customer portal: <https://www.mgplistics.co.uk/>.

Mercia Garden Products Limited,  
 Sutton On Trent,  
 Newark,  
 Nottinghamshire,  
 NG23 6QN



## TO DO LIST

- Find a suitable location to build *(see front cover for further information).*
- Build a base *(see front cover for further information).*
- Check the base is flat, level, clear of debris and has 60cm clearance on all sides.
- Check you have the required equipment / tools.
- Check you have all the product items listed *(if you have missing or damaged parts please scan the QR code below to visit our online customer portal)*
- Install the product as per the step by step instructions within this pack.
- Prepare the product ready for treatment (This may include sanding).
- Apply a preserving and a waterproofing treatment within 14 days *(weather permitting)* of installation.
- Register for your anti rot guarantee *(scan the QR below).*
- Tidy the build area and dispose of any remaining parts responsibly.
- Maintain your building *(see the manufacturers recommendations at the back of this pack).*

## EQUIPMENT LIST

- Hammer
- Mallet
- Flat Head Screwdriver
- Drill
- Drill Bit Set
- Phillips and Slotted Bit Sets
- Tape Measure
- Hand Saw
- Spirit Level
- Ladders/Steps
- Stanley Knife/Cutting Tool
- Sand Paper
- Gloves
- Silicone (For Windows Only)
- Wood Filler (Optional)
- Timber Preservative Treatment
- Timber Water Proofing Treatment
- Treatment Mixing Stick
- Paint Brush/Sprayer/Roller

## NEED EXTRA SUPPORT

If you are unsure that your base preparation will be suitable, please contact us via our customer portal to discuss this further.

Alternatively, you can visit our website or MGP Logistics Online Portal for some further sheducation.

### Website:

<https://www.merciagardenproducts.co.uk/sheducation>

### MGP Logistics Online Portal:

<https://www.mgplogistics.co.uk/>

Here you will find plenty of useful information that'll help with most pre-installation and maintenance queries.

PLEASE SCAN HERE:



### ANY QUESTIONS?

Scan the QR code to contact us via our customer portal.

## NOTES

Before assembly please make sure you have a suitable base ready to erect your building

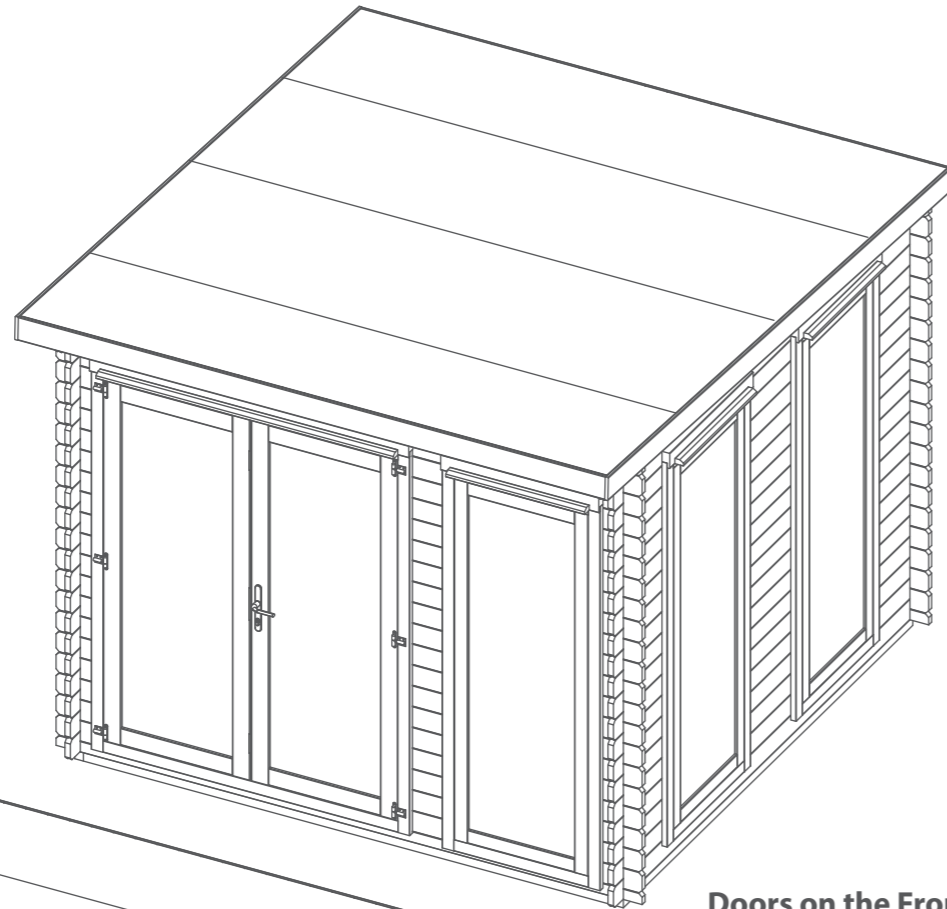
**MADE IN GREAT BRITAIN**

**Overall Dimensions:** Width = 3032mm  
Depth = 3334mm  
Height = 2494mm

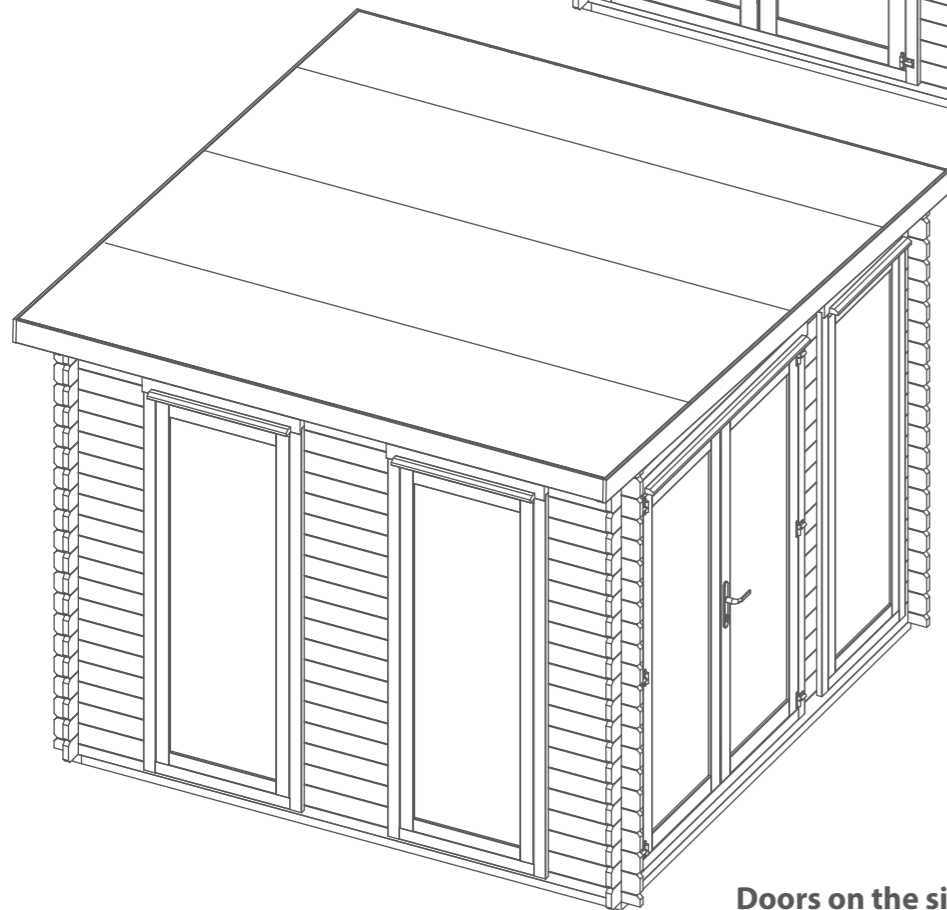
**Base Dimensions:** Width = 2804mm  
Depth = 2804mm

PLEASE SCAN HERE:

**ANY QUESTIONS?**  
Scan the QR code to contact us via our customer portal.



Doors on the Front.



Doors on the side.
















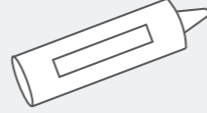
Tip: Labelling your parts, using a pencil and masking tape, may help you to identify them easier when you need them.

NO.1 STARTER BOARD

**Log Boards Contents:**

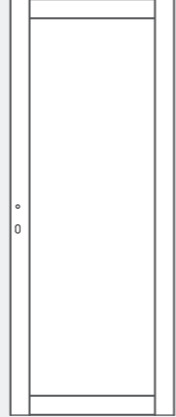
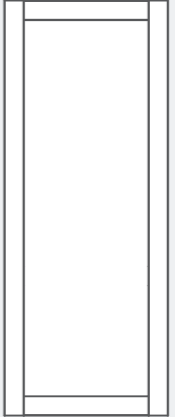






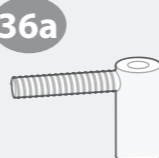
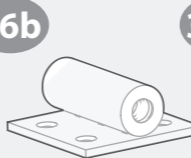

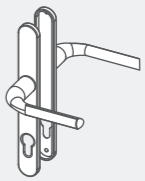
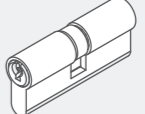
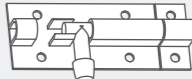
- 1 **Starter Board - 34x66x2996mm QTY 2**  
*LB34RT66-A-2996mm*
- 2 **Log Board - 34x120x2996mm QTY 43**  
*LB34-A-2996mm*
- 3 **Log Board - 34x120x500mm QTY 36**  
*LB34-B-500mm*
- 4 **Log Board - 34x120x500mm QTY 18**  
*LB34-C-500mm*
- 5 **Log Board - 34x120x229mm QTY 36**  
*LB34-B-229mm*
- 6 **Log Board - 34x120x229mm QTY 18**  
*LB34-C-229mm*
- 7 **Log Board - 34x120x2996mm QTY 1**  
*LB34-AD-2996mm (1 x window, 1 x door cut out)*
- 8 **Log Board - 34x120x2996mm QTY 1**  
*LB34-AD-2996mm (2 x window cut outs)*
- 9 **Finisher Board - 34x50x2996mm QTY 2**  
*LB34RG50-A-2996mm*
- 10 **Gable QTY 2**  
*AI-0634LOGPN3-G-V1*
- 11 **Gable Point QTY 2**  
*AI-0634LOGPN3-G-V1*

### Fixing Kit Contents:

- **12**  **Floor Bearer - 44x58x2804mm QTY 2**  
*F4458-2804mm-PT*
- **13**  **Floor Bearer - 44x58x2688mm QTY 10**  
*F4458-2688mm-PT*
- **14**  **Purlin - 45x120x3000mm QTY 2**  
*F45120-A-3000mm*
- **15**  **Roof Board - 16x121x3300mm QTY 28**  
*MB16-3300mm*
- **16**  **Floor Board - 16x121x2732mm QTY 26**  
*MB16-2732mm*
- **17**  **Eaves Frame - 27x44x3000mm QTY 2**  
*F2744-3000mm*
- **18**  **Fascia - 16x120x3100mm QTY 2\***  
*S16120-3100mm*
- **19**  **Fascia - 16x120x3400mm QTY 2\***  
*S16120-3400mm*
- **20**  **Closure Trim - 16x28x2400mm (approx length) QTY 10\***  
*S1628-2400mm*
- **21**  **Storm Brace - 44x27x2000mm QTY 8**  
*F2744-2000mm*
- **22**  **Plastic Vent QTY 4**  
*PI-07-0237*
- **23**  **2mm Spacer QTY 5**  
*PI-07-0208 (20x100x2mm)*
- **24**  **Sand Capping Felt**
- **25**  **Sand Felt**
- **26**  **Green Felt**
- **27**  **Butyl QTY 2**  
*PI-01-0042*

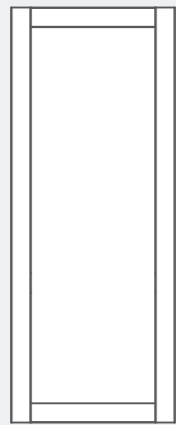
**\*This part will be longer than needed and requires cutting to size when used. This will be explained when required within the instruction step.**  
**Note: one piece may be required to be cut into multiple different sizes. Do not dispose of off-cuts until the building is fully constructed as they may be needed in another step.**

### Door Contents:

- **28**  **Master Door QTY 1**  
*(Morticed for lock)*  
*AI-06LOGDGFMD750X1900-V4*
- **29**  **Secondary Door QTY 1**  
*AI-06LOGDGFSD750X1900-V4*
- **30**  **Door Frame Left Upright - 71x70x2065mm QTY 1**  
*AI-0634LOGDUFL-V4*
- **31**  **Door Frame Right Upright - 71x70x2065mm QTY 1**  
*AI-0634LOGDUFR-V3*
- **32**  **Door Frame Top - 84x125x1632mm QTY 1**  
*AI-0634LOGDDTF-V3*
- **33**  **Door Frame Bottom - 71x70x1508mm QTY 1**  
*AI-0634LOGDDBF-V3*
- **34**  **Door Strip - 16x60x1880mm QTY 1**  
*S1660-1880mm*
- **35**  **Rain Guard - 28x44x1520mm QTY 1**  
*RG2844-1520mm*
- **36** **Adjustable Hinge QTY 6**  
*PI-07-0209*
- **36a** 
- **36b** 
- **36c** 
- **37**  **Handle Set QTY 1**  
*PI-07-0233 (Pair)*
- **38**  **Cylinder Lock QTY 1**  
*PI-07-0234*
- **39**  **Tower Bolt QTY 2**  
*PI-07-0114*

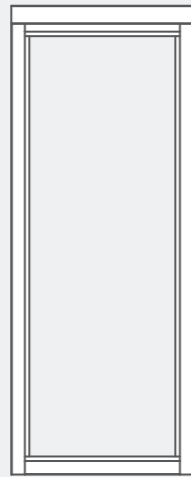
### Window Contents:

40



**Window QTY 3**  
AI-06LOGDGTW702X1917-V1

41



**Window Frame QTY 3**  
AI-034DGWF808X2080-V1

42



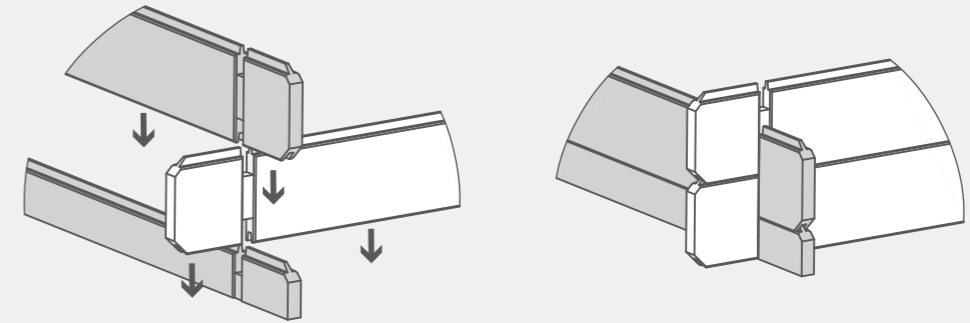
**Rain Guard - 28x44x710mm QTY 3**  
RG2844-710 mm

### Pre-assembly

**\*Please note:**

Each board interlocks at either end in a staggered pattern.

Before securing ensure that the boards are fitted properly in their respective tongue's and groove's.



### Screw Pack.

There may be extra screws present in the pack.



**80mm Bolt Set x 16**



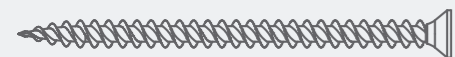
**40mm Screw x 344**



**90mm Screw x 40**



**30mm Screw x 114**



**80mm Screw x 8**



**20mm Screw x 8**



**70mm Screw x 83**



**Felt Tacks x 250**

PLEASE SCAN HERE:



## Missing parts?

Scan the QR code to visit our customer portal where you can quickly raise any missing or damaged parts and get a replacement sent out ASAP.



**Step 1**

**Parts Needed - No. 12 QTY 2**

**No. 13 QTY 2**

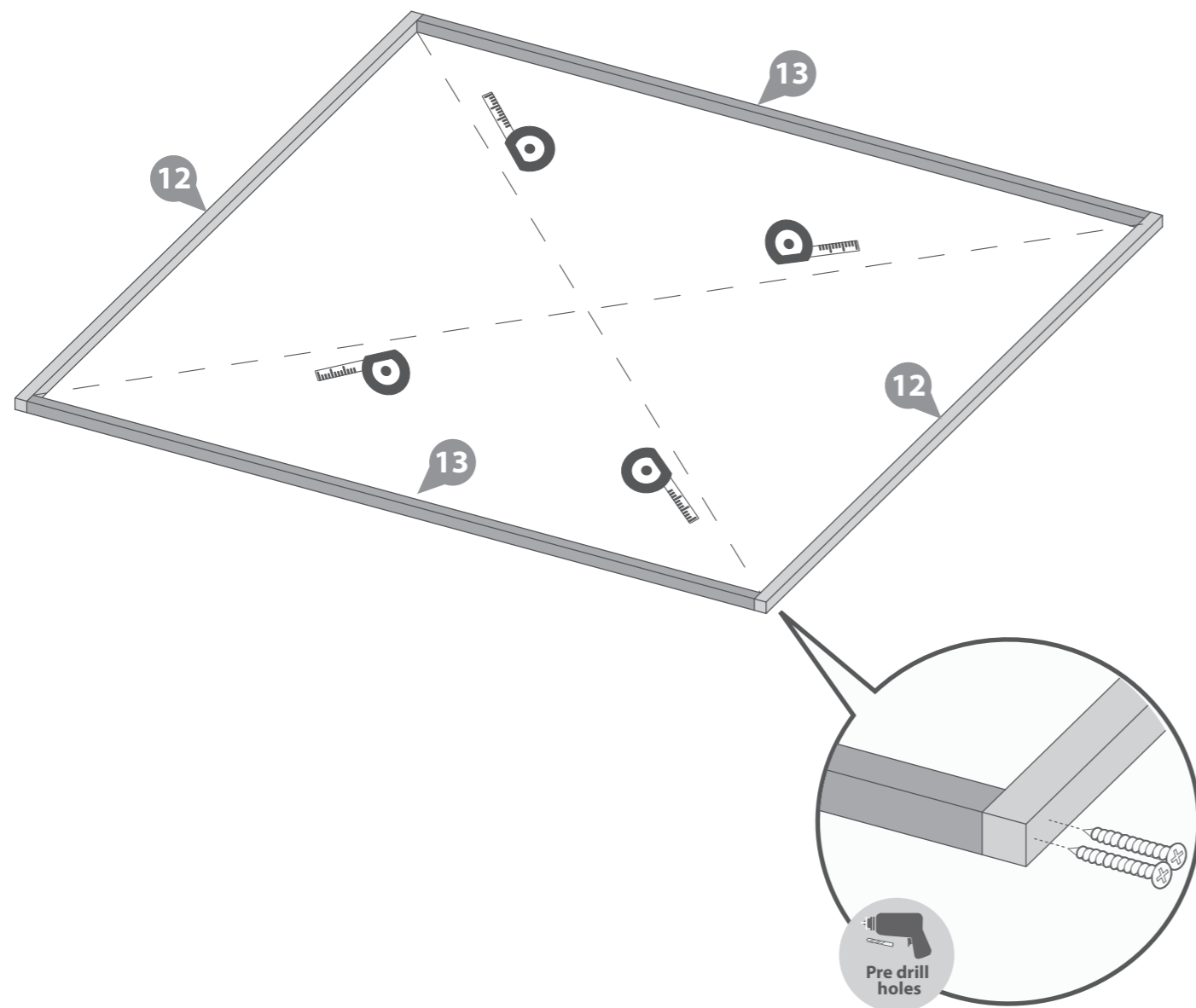
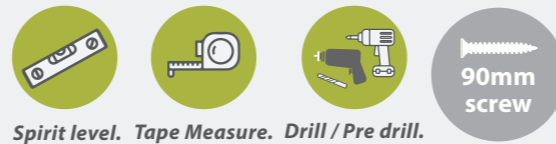
Lay the bearers (**No. 12 & 13**) onto a firm and level base (*free from areas where standing water can collect*) ensuring the bearers are flat and level and the ends are flush, as shown.

Fix the bearers together using 2x90mm screws per corner.

Once secured, ensure the bearers are square by measuring from corner to corner, making sure the measurements are equal. If the bearers are not aligned equally, unscrew, adjust and re-align accordingly.

**8x90mm Screws**

**Important:** Pre-drill before fixing screws.



**Step 2**

**Parts Needed - No. 13 QTY 8**

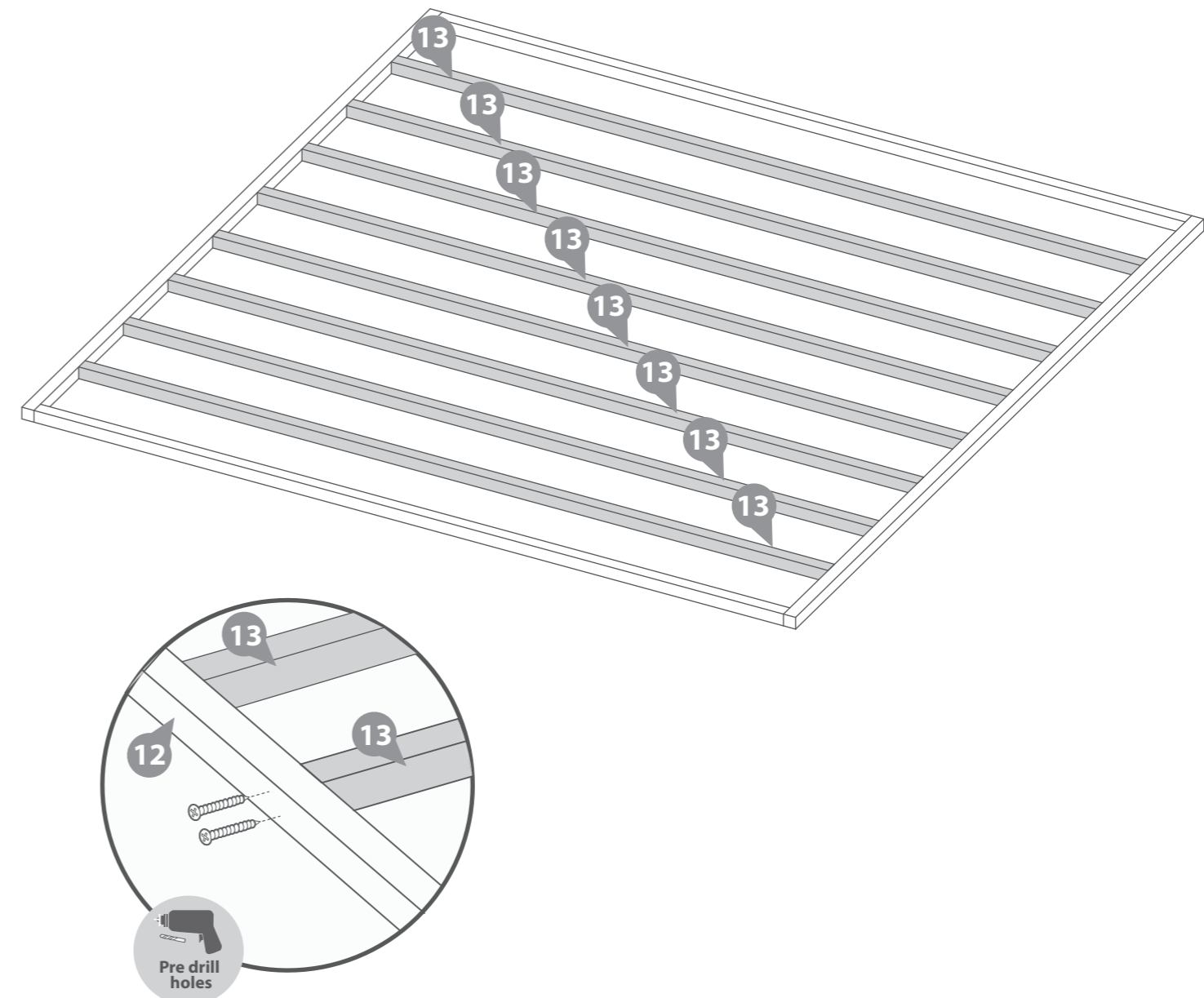
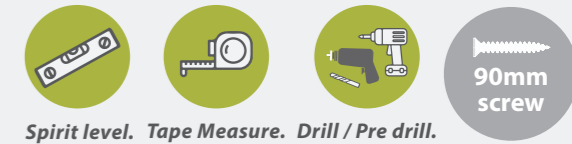
Following the same method shown in the previous step, arrange the remaining bearers (**No. 13**) inside the assembled frame, ensuring each piece is flush and level.

**\*Ensure there is an equal amount of space between each bearer.**

Secure each of the bearers in place by screwing through the outside framing into the framing behind using 2x90mm screws for each end of the bearer, as shown.

**32x90mm Screws**

**Important:** Pre-drill before fixing screws.



**Step 3**

**Parts Needed - No. 1 QTY 2**  
**No. 2 QTY 2**

Place the starter boards (**No.1**) on to the front and back of the assembled bearers and lightly position the first two log boards (**No. 2**) into the notches as shown.

Ensure the boards sit square on the base using the same method used in Step 1. Measure corner to corner, making sure the measurements are equal.

Once the boards are square, lift up the log boards (**No. 2**) and fix the starter boards in place by screwing through the notch into the bearer below, using 1x70mm screw per notch.

**Note: Use a mallet and a scrap piece of wood to gently persuade the log boards into place.**

**4x70mm Screws**

**Important: Pre-drill before fixing screws.**



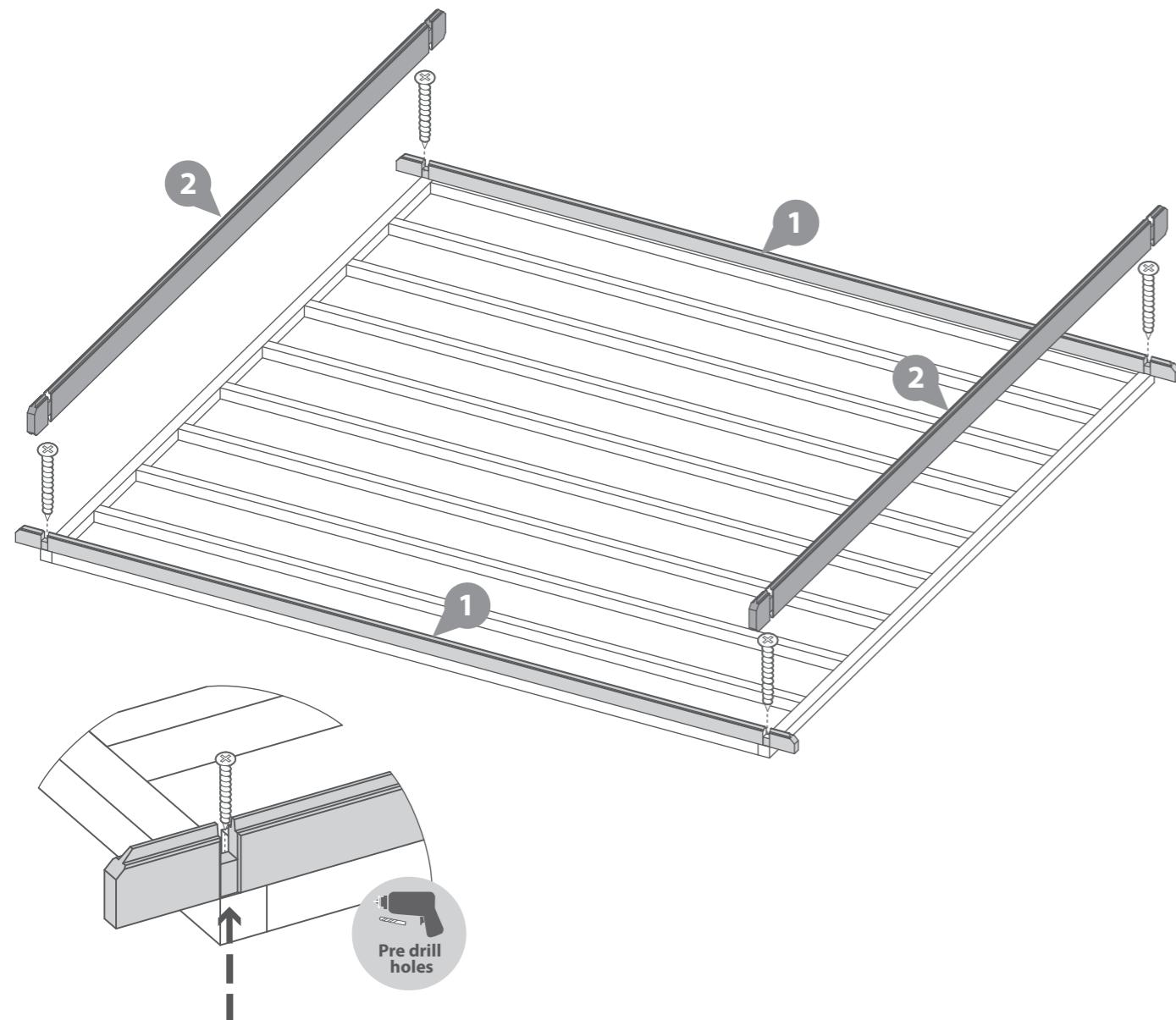
Rubber Mallet.



Drill / Pre drill.



70mm screw



**Step 4**

**Parts Needed - No. 2 QTY 12**  
**No. 3 QTY 6**  
**No. 5 QTY 6**

**\*Please note:**

**You can construct your cabin to have the Doors on the front or the Doors on the side, dependant on your needs. The Windows can also be constructed on either side of the cabin (See Page 4 for reference). Please ensure to construct your Log Cabin by following either the 'Doors on the front' or 'Doors on the side' instructions, dependant on which side you choose.**

**If you have purchased a side shed or patio area, please be aware of where you want these positioned in relation to the doors and windows.**

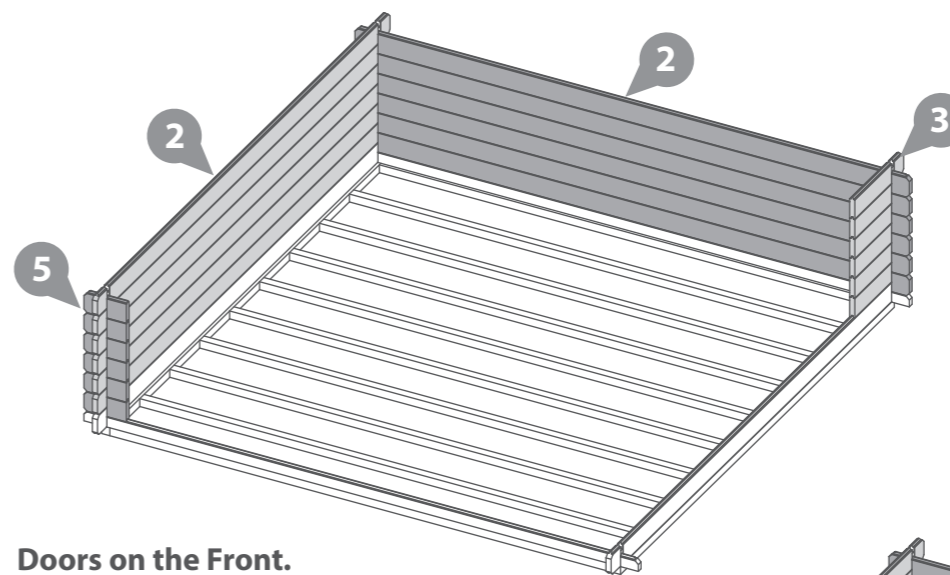
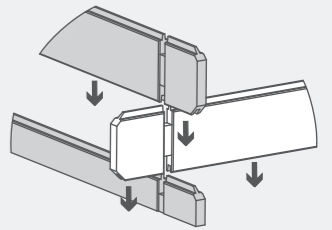
Following the method shown in the illustration, lay the first 6 boards (**No. 2, 3 & 5**) off of the starter boards to create your first level.

**\*Ensure that the boards are level and flush with each other as you lay each one.**

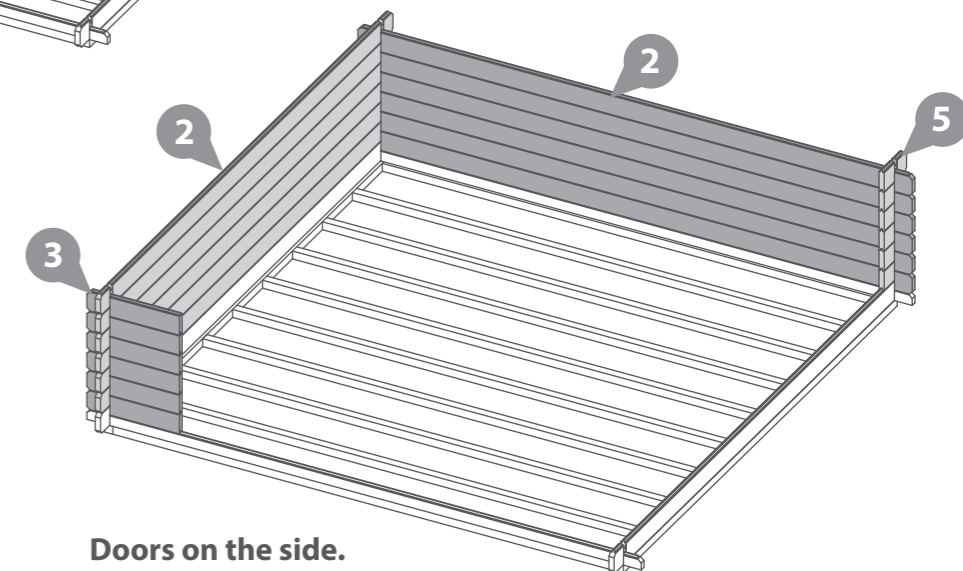
**Important: Pre-drill before fixing screws.**



Rubber Mallet.



Doors on the Front.



Doors on the side.

**Step 5**

- Parts Needed - No. 30 QTY 1**
- No. 31 QTY 1**
- No. 32 QTY 1**
- No. 33 QTY 1**

Arrange the left, right, top & bottom door frames (**No. 30, 31, 32 & 33**) onto a flat and level surface.

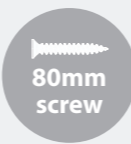
Secure the top and bottom frames to the uprights using 2x80mm screws per corner, ensuring the screws do **NOT** protrude through the front of the door framing.

**8x80mm Screws**

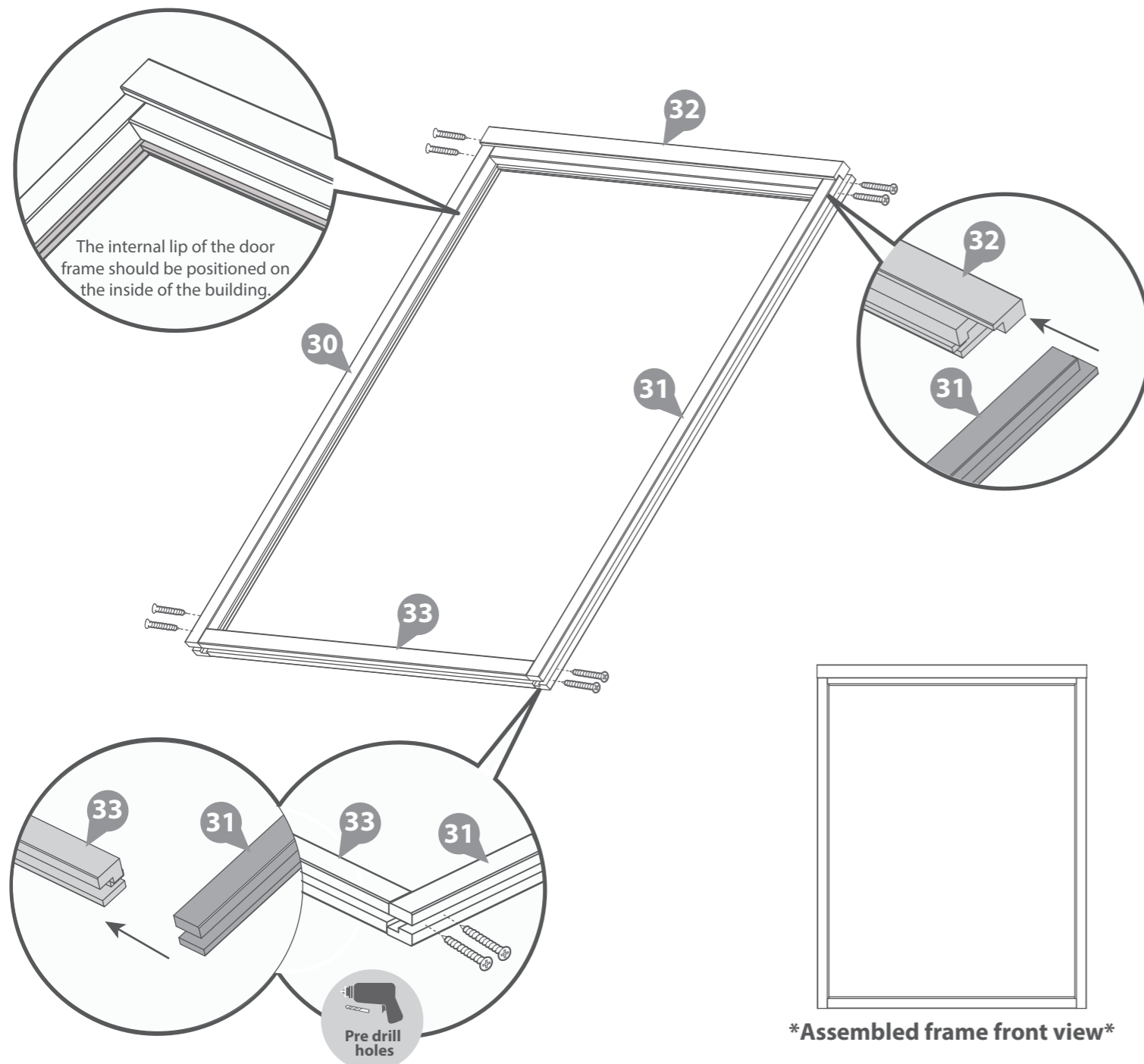
**Important:** Pre-drill before fixing screws.



Drill / Pre drill.



80mm screw





**Step 6**

**Parts Needed - No. 28 QTY 1**  
**No. 29 QTY 1**  
**No. 36 QTY 6**

**a** The Adjustable Door Hinge (**No.36**) comes in three parts.

Fasten parts **No. 36a** and **36b** of the Adjustable Door Hinge together by screwing part **36a** into **36b**, as shown in the illustration.

**b** Place the master and secondary doors (**No.28 & 29**) into the assembled double door frame, ensuring there is equal spacing on each side between the doors and door frame.

Fix 3 x Adjustable door hinges (**No.36c**) to each door using 3x30mm screws per hinge.

**\*Ensure the hinges are fitted to the external of the doors so the doors open outwards from the log cabin.**

*It is important to fit the doors within the frames at this stage so that you can establish the position of the hinges.*

**c** Fix 3 x Adjustable Door Hinges (**No. 36a&b**) onto each door frame using 4x30mm screws per hinge. Ensure the hinges on the doors locate into the hinges on the door frame, and the doors open & close freely without restriction.

**\*Ensure to screw into the framing and not into the channel.**

**d** Remove the doors from the frame after fitting the hinges. Open the doors and lift them off of the hinges attached to the frames. You do not need to unscrew the hinges to remove the doors.

**42x30mm Screw.**

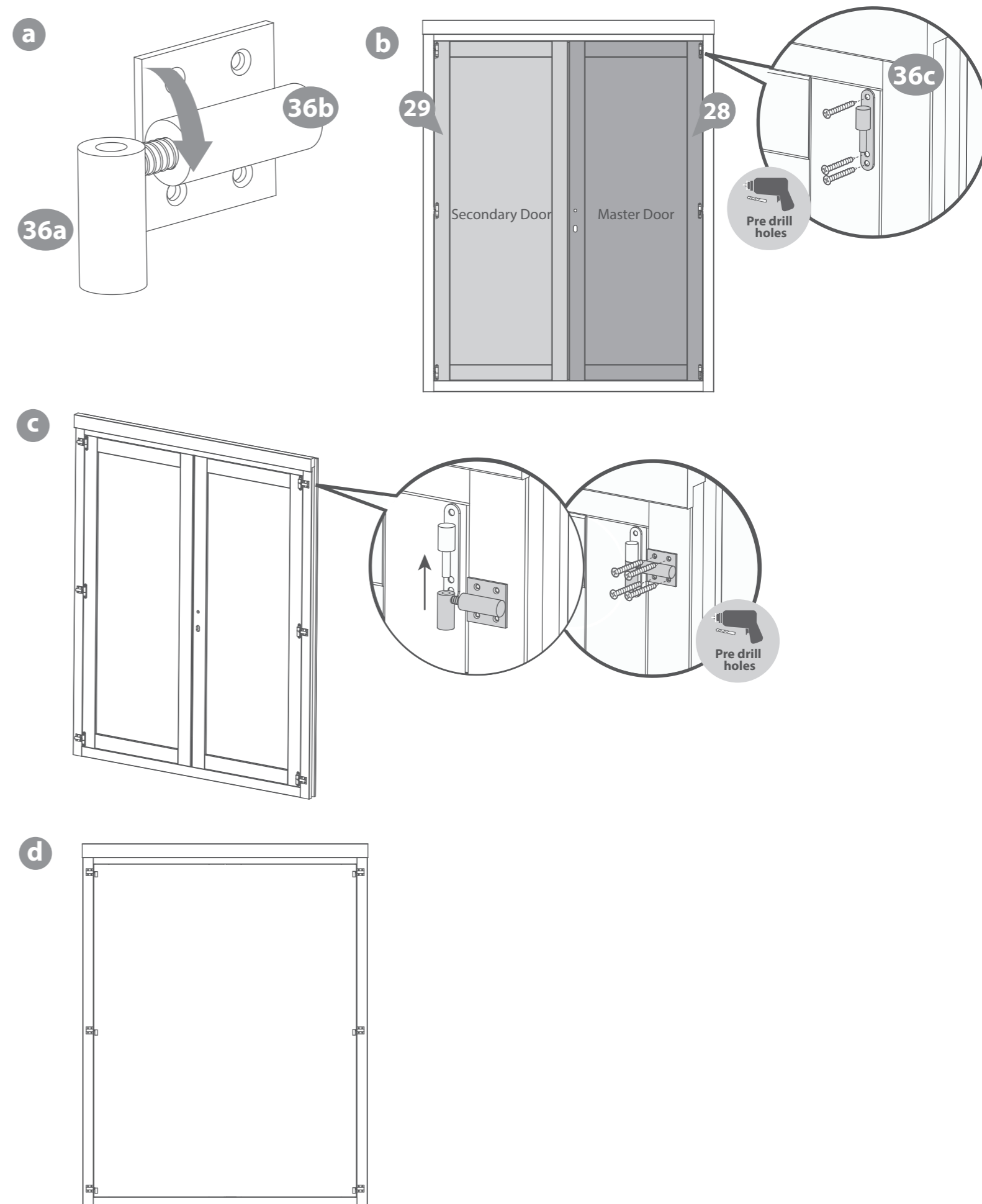
**Important:** Pre-drill before fixing screws.



Drill / Pre drill.



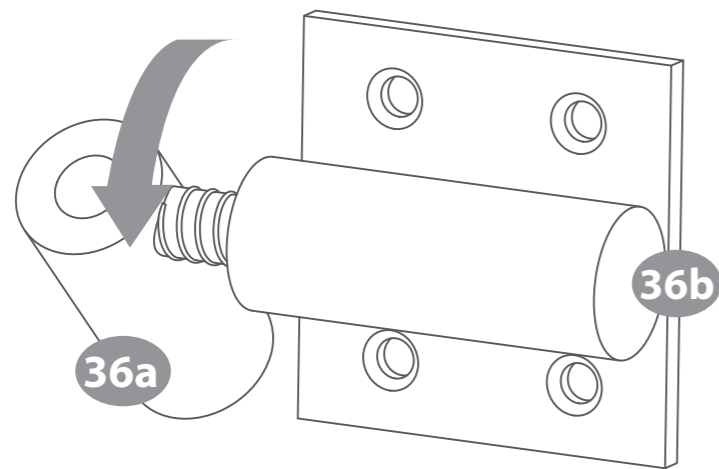
30mm screw



### Step 7

#### To adjust and align your doors:

1. Lift up the doors to separate the two parts of the hinge.
2. Turn the rotating barrel (**No.36a**) in / out to move the position of the doors either in or away from each other.
3. You can then place the door(s) back on to the hinge and check whether they require more / less adjustments, if further adjustments are required repeat number 2.



### Step 8

Parts Needed - No. 40 QTY 3  
No. 41 QTY 3

**\*Place the Window frame & window flat onto a level surface to help fix into place.**

Rest the window (**No. 40**) into the assembled window frame (**No. 41**) as shown in the illustration. Secure into position by screwing through the framing into the window at an angle, using 4x70mm screws per side.

**Ensure to pre-drill through the frame into the window at an angle to ensure the screw fixes into the window correctly.**

Use this method to assemble three windows.

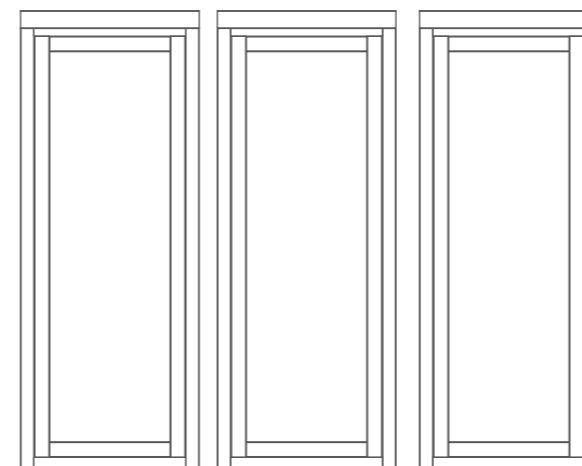
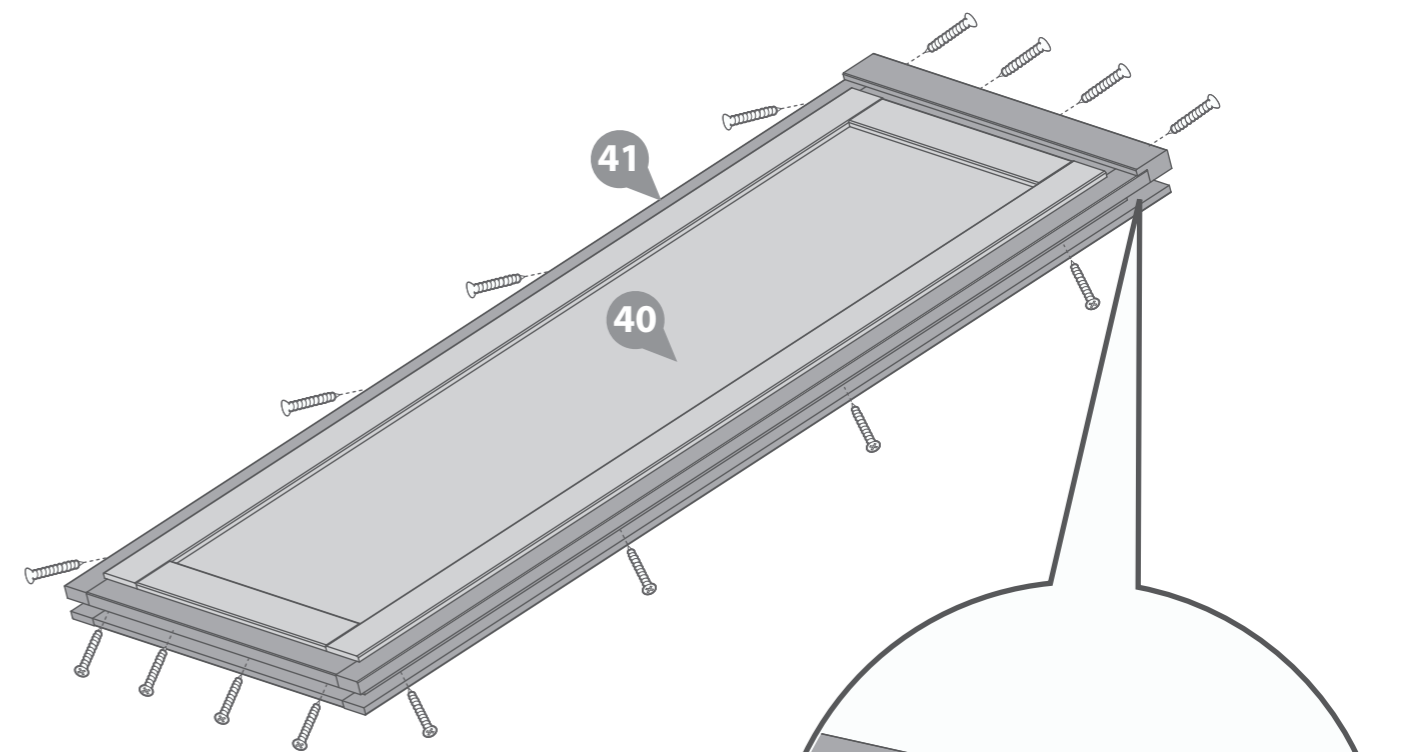
**48x70mm Screw**  
**Important:** Pre-drill before fixing screws.



Drill / Pre drill.



70mm screw



**\*Assembled windows front view\***

**Step 9 - Doors on the Front**  
**Parts Needed - No. 4 QTY 18**

**a** Once you have laid 6 boards (off of the starter) locate one of the assembled window frames onto the inside corner of the log cabin, as shown in the illustration.

Ensure the window frame is resting on top of the log board and the log boards (**No.3**) are located flush into one side of the window frame.

*\*\*If you have not yet assembled your window frames please refer to step 8.*

**b** Once the window frame is in position, place the log boards (**No.4**) flush into the other side of the window frame, securing it in place.

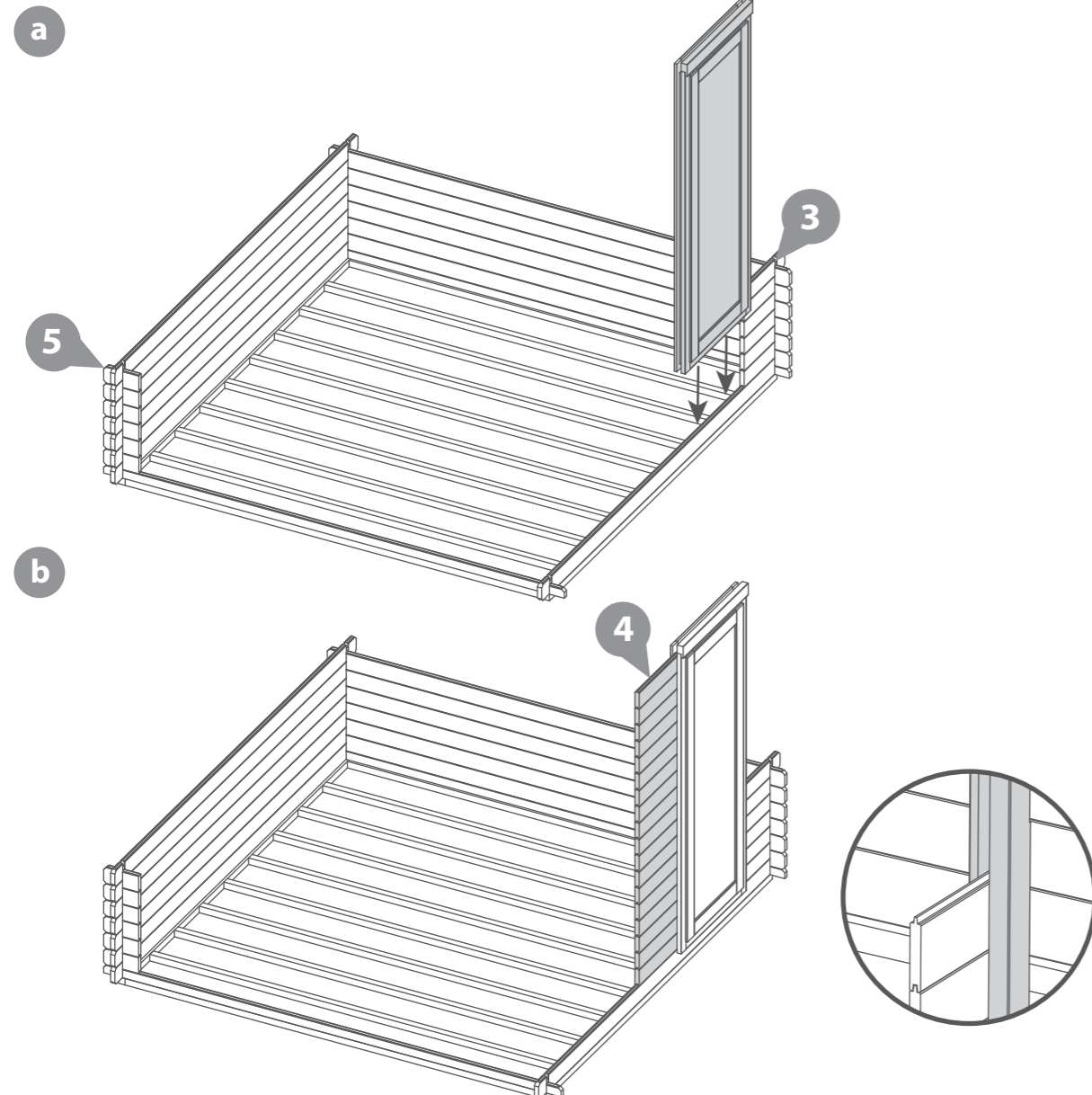
*\*Ensure that the boards are level and flush with each other as you lay each one.*

*Please note: At this point in the construction of your log cabin, the walls and window will be unstable. Take extra care to support them until they are stable.*



Rubber Mallet.

**Doors on the Front**



**Step 9 - Doors on the Side**  
**Parts Needed - No. 6 QTY 18**

**a** Once you have laid 6 boards (off of the starter) locate one of the assembled window frames onto the inside corner of the log cabin, as shown in the illustration.

Ensure the window frame is resting on top of the log board and the log boards (**No.5**) are located flush into one side of the window frame.

*\*\*If you have not yet assembled your window frames please refer to step 8.*

**b** Once the window frame is in position, place the log boards (**No.6**) flush into the other side of the window frame, securing it in place.

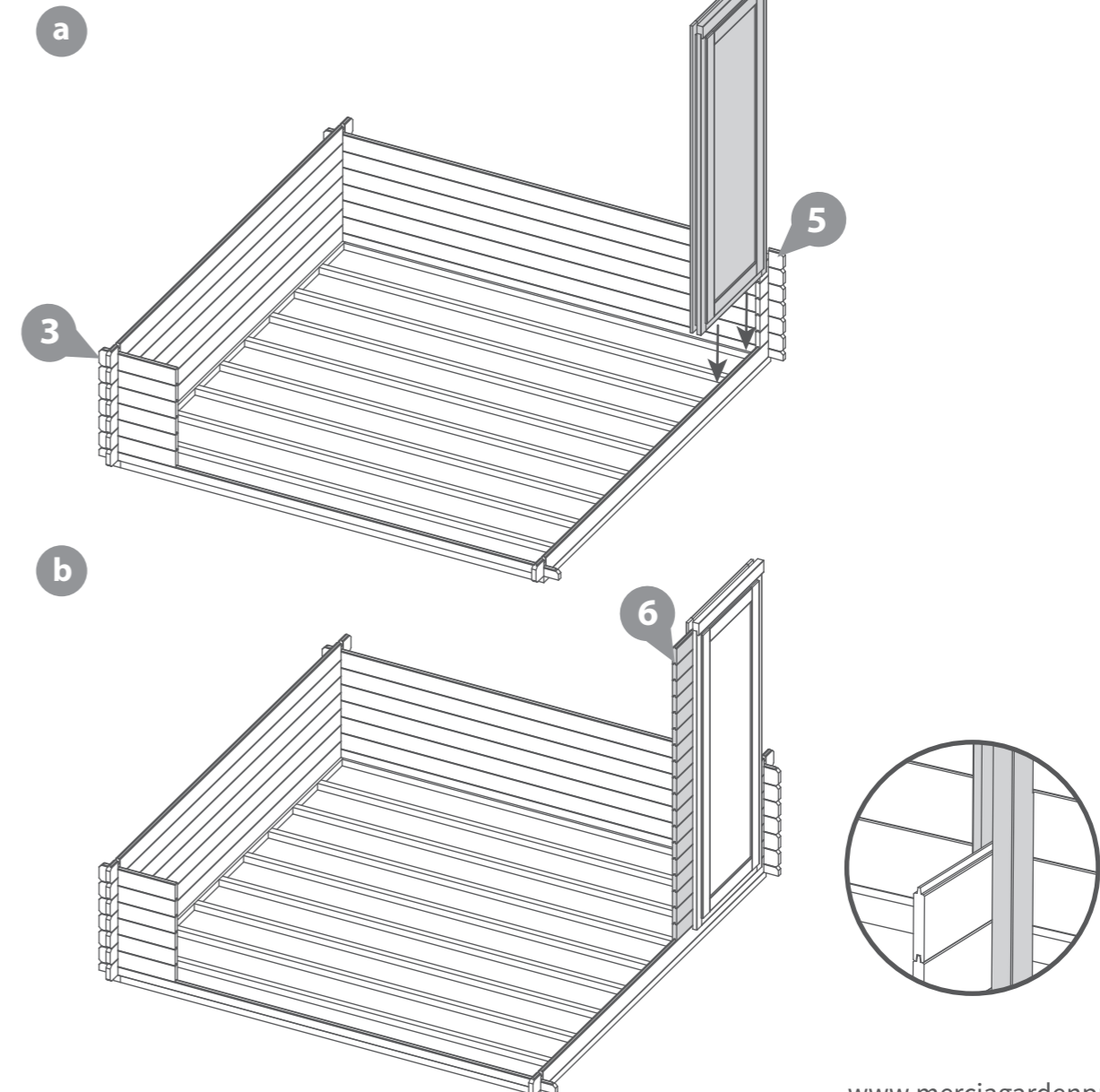
*\*Ensure that the boards are level and flush with each other as you lay each one.*

*Please note: At this point in the construction of your log cabin, the walls and window will be unstable. Take extra care to support them until they are stable.*



Rubber Mallet.

**Doors on the Side**



**Step 10 - Doors on the Front**  
**Parts Needed - No. 6 QTY 18**

- a** Once you have positioned the first window and boards, locate another one of the assembled window frames onto the log cabin as shown in the illustration.

Ensure the window frame is resting on top of the log board and the log boards (**No. 4**) are located flush into one side of the window frame.

Locate the assembled door frame onto the log cabin as shown in the illustration, ensuring it is resting on top of the starter board and the log boards (**No. 5**) are located flush into one side of the frame.

*\*\*If you have not yet assembled your window or door frames please refer to steps 5-8.*

- b** Once the door frame is in position, place the log boards (**No. 6**) flush into the other side of the door frame, securing it in place.

*\*Ensure that the boards are level and flush with each other as you lay each one.*

**Please note: At this point in the construction of your log cabin, the walls, window and door will be unstable. Take extra care to support them until they are stable.**



Rubber Mallet.

**Step 10 - Doors on the Side**  
**Parts Needed - No. 4 QTY 18**

- a** Once you have positioned the first window and boards, add the assembled door frame onto the log cabin as shown in the illustration.

Ensure the door frame is resting on top of the log board and the log boards (**No. 6**) are located flush into one side of the door frame.

Locate one of the assembled window frames onto the log cabin as shown in the illustration, ensuring it is resting on top of the starter board and the log boards (**No. 3**) are located flush into one side of the frame.

*\*\*If you have not yet assembled your window or door frames please refer to steps 5-8.*

- b** Once the frames are in position, place the log boards (**No. 4**) flush into the other side of the window frame, securing it in place.

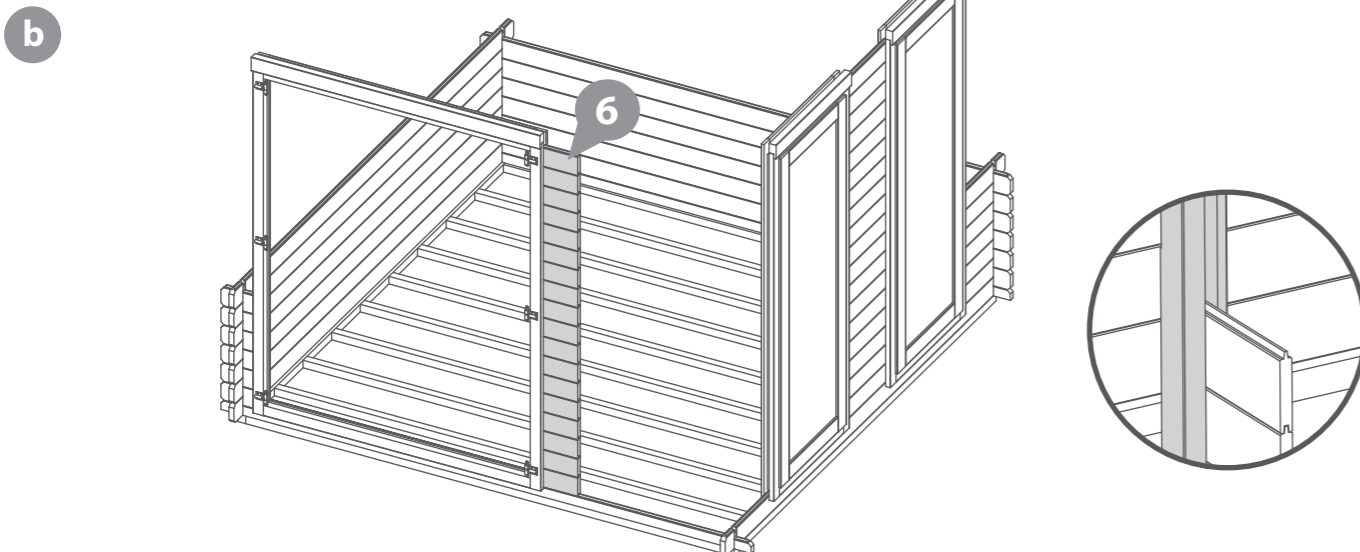
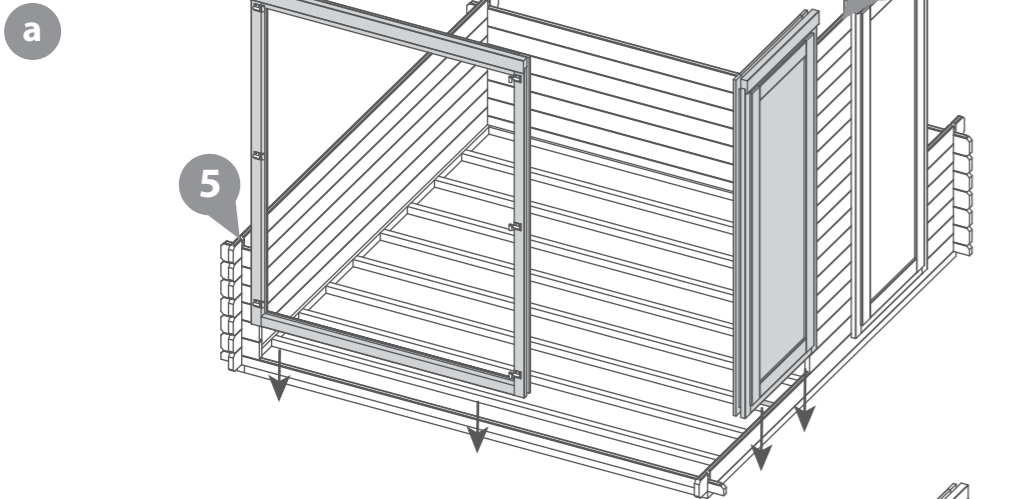
*\*Ensure that the boards are level and flush with each other as you lay each one.*

**Please note: At this point in the construction of your log cabin, the walls, window and door will be unstable. Take extra care to support them until they are stable.**

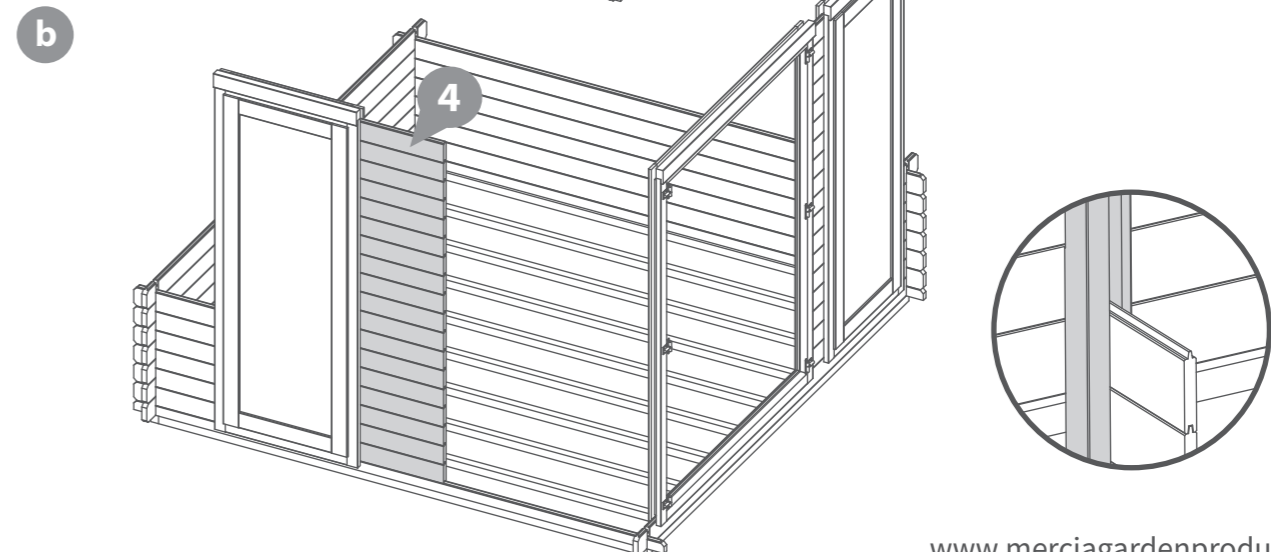
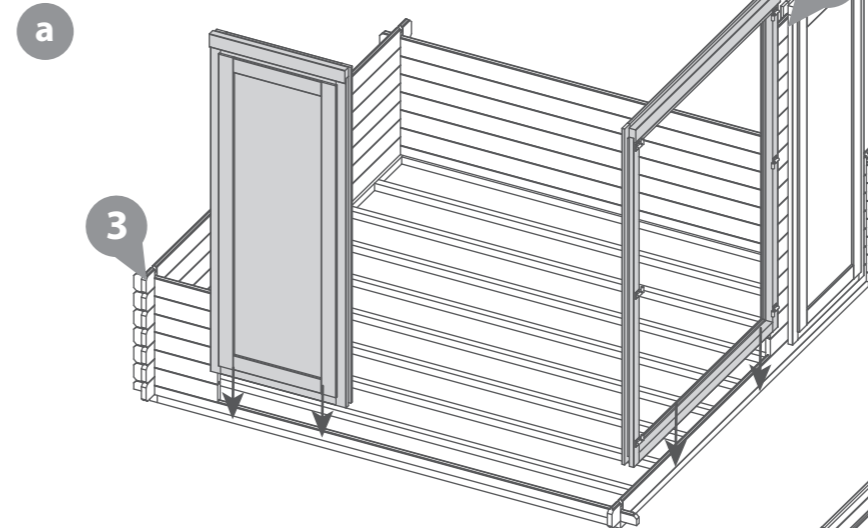


Rubber Mallet.

**Doors on the Front**



**Doors on the Side**



**Step 11**

**Parts Needed - No. 3 QTY 18  
No. 5 QTY 18**

- a** Locate the last assembled window frame onto the log cabin as shown in the illustration.

Ensure the window frame is resting on top of the starter board and the log boards (**No. 4 or 6**) are located flush into one side of the window frame.

*\*\*If you have not yet assembled your window or door frames please refer to steps 5-8.*

- b** Once the frame is in position, lay the log boards (**No.3 & 5**) flush into the sides of the windows/door frames, interlocking each board to build up the front corner, securing the windows/door in place.

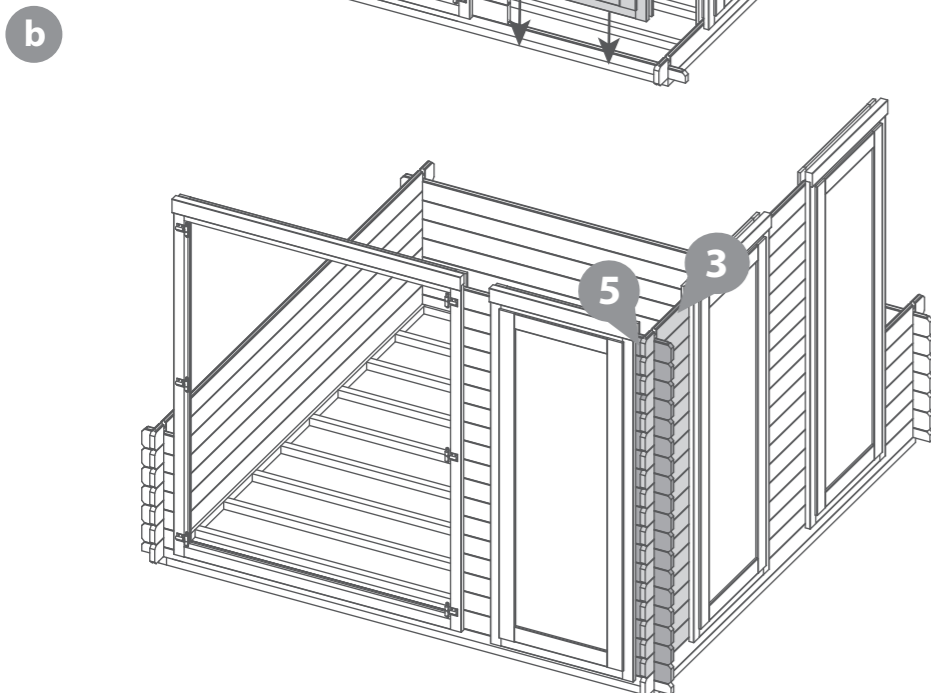
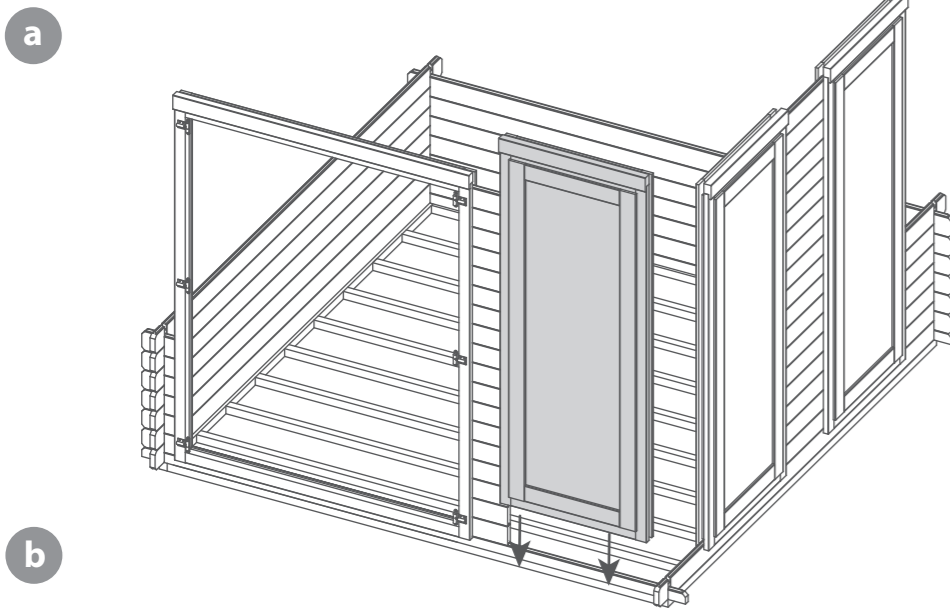
*\*Ensure that the boards are level and flush with each other as you lay each one.*

*Please note: At this point in the construction of your log cabin, the walls, window and door will be unstable. Take extra care to support them until they are stable.*

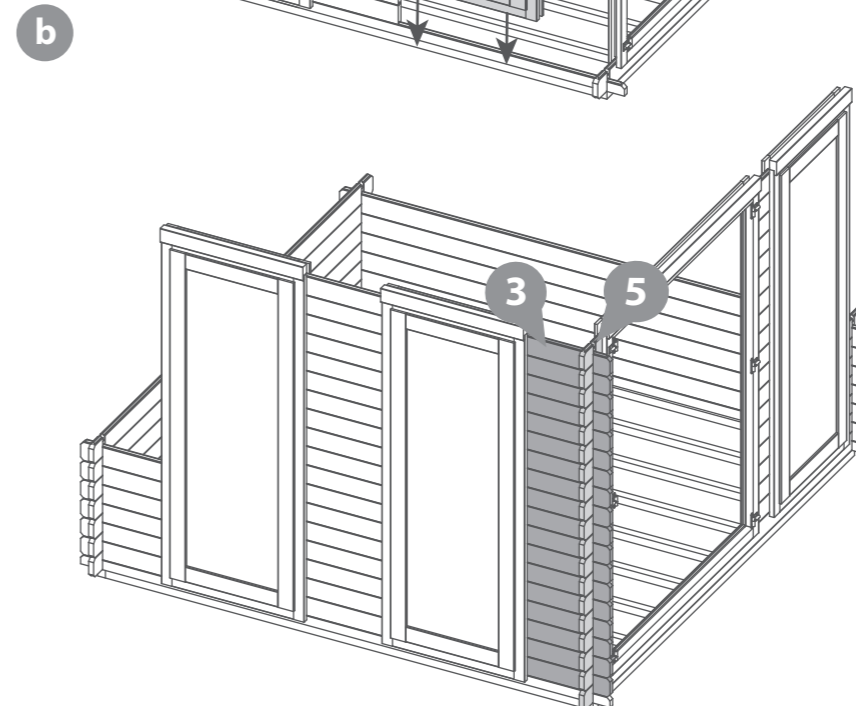
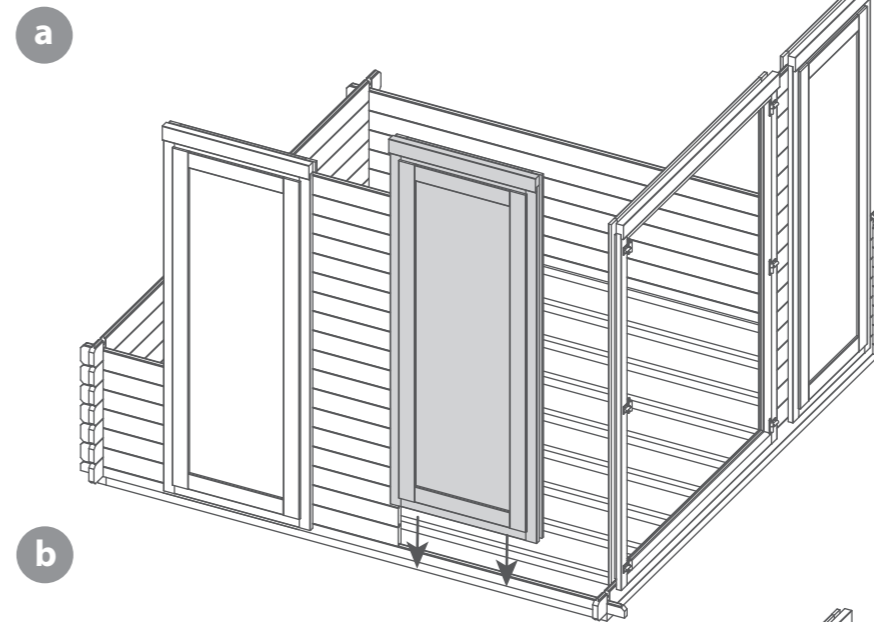


Rubber Mallet.

**Doors on the Front**

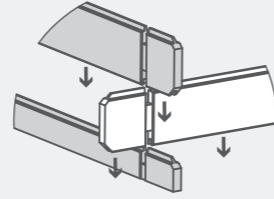


**Doors on the Side**



**Step 12**

**Parts Needed - No. 2 QTY 12  
No. 3 QTY 6  
No. 5 QTY 6**



Following the method shown in the illustration, lay the next 6 boards (**No. 2, 3 & 5**) onto the log cabin to create your second level.

*\*Ensure that the boards are level and flush with each other as you lay each one.*

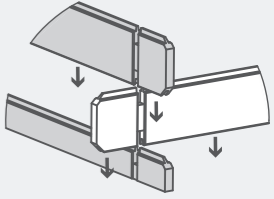
*Please note: At this point in the construction of your log cabin, the walls will be unstable. Take extra care to support them until they are stable.*



Rubber Mallet.

**Step 13**

**Parts Needed - No. 2 QTY 12  
No. 3 QTY 6  
No. 5 QTY 6**



Following the method shown in the illustration, lay the next 6 boards (**No. 2, 3 & 5**) onto the log cabin to create your third level.

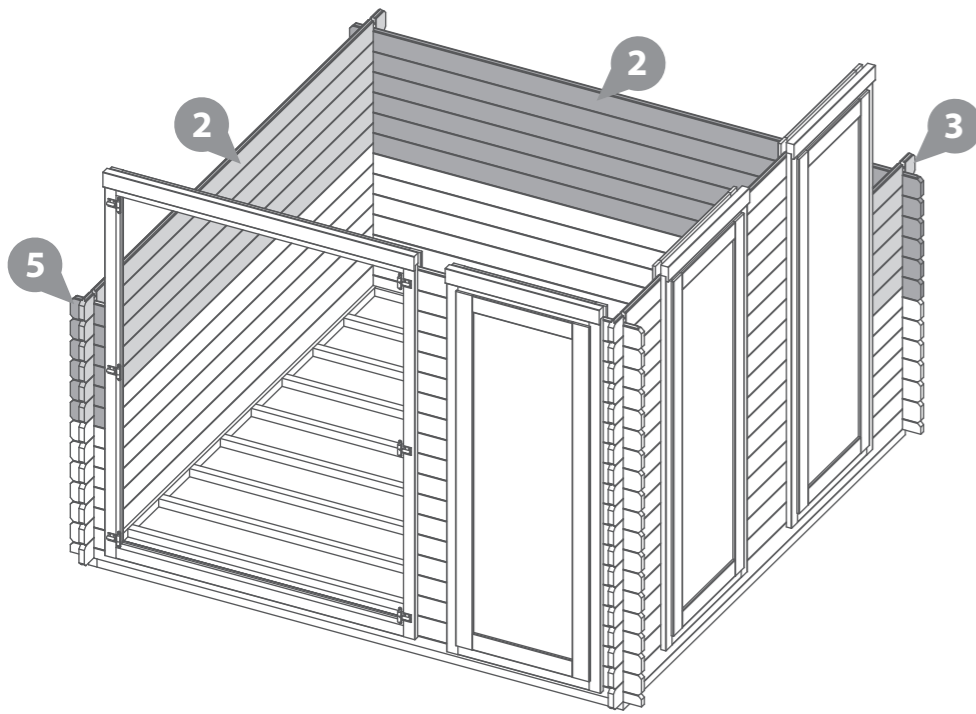
*\*Ensure that the boards are level and flush with each other as you lay each one.*

*Please note: At this point in the construction of your log cabin, the walls will be unstable. Take extra care to support them until they are stable.*

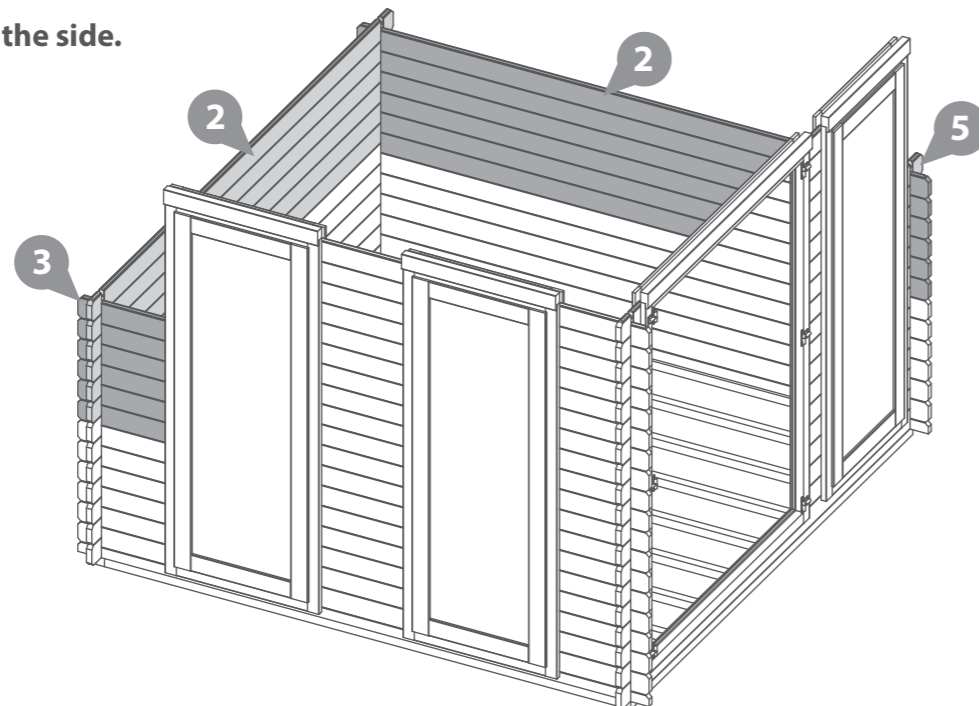


Rubber Mallet.

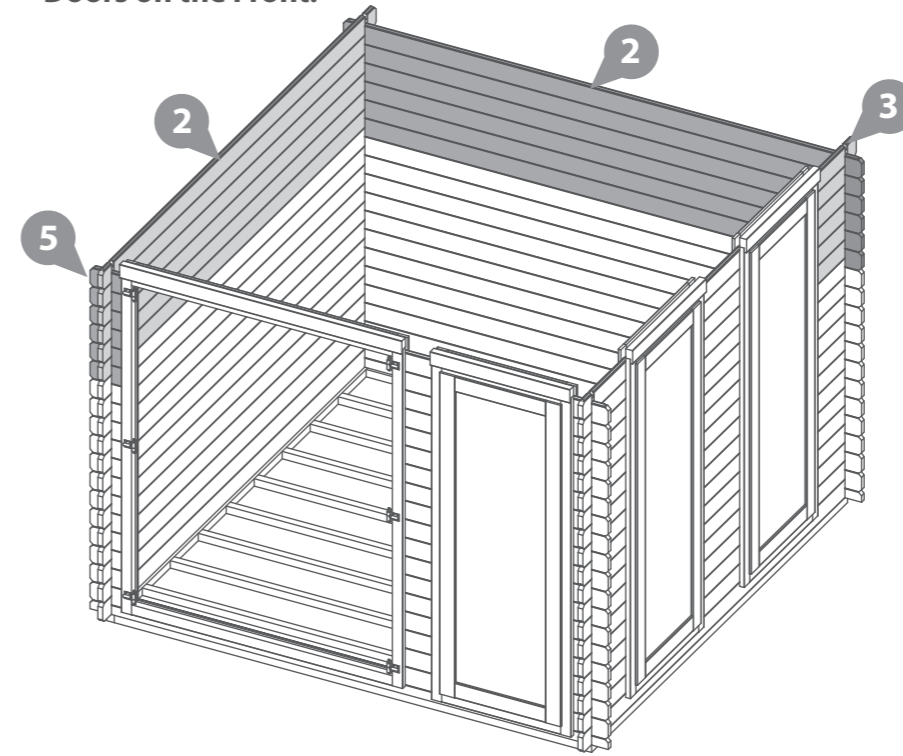
**Doors on the Front.**



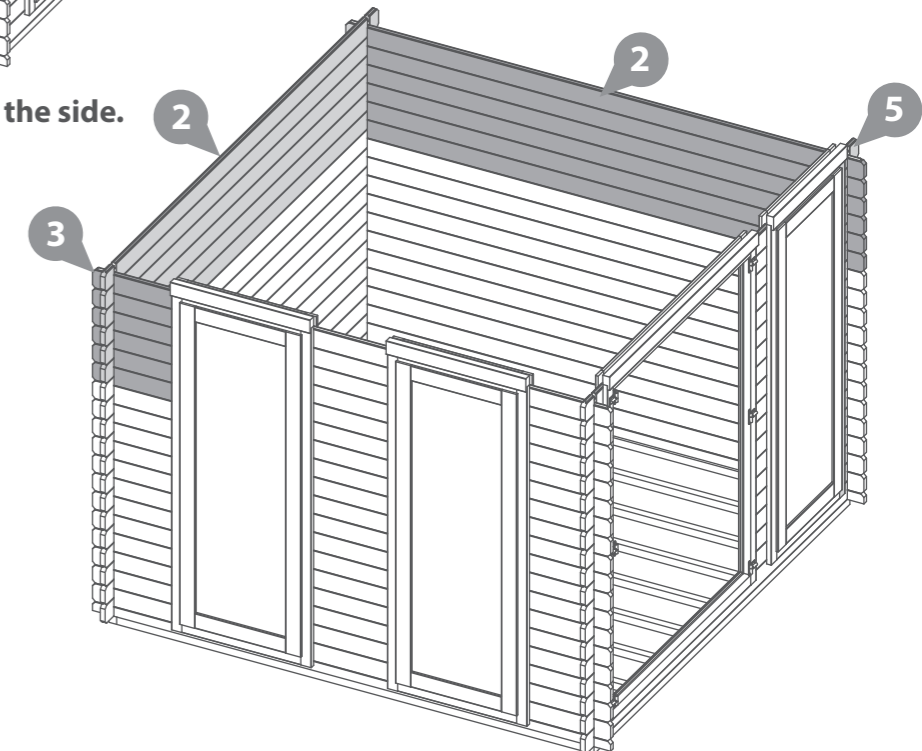
**Doors on the side.**



**Doors on the Front.**

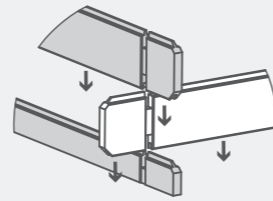


**Doors on the side.**



**Step 14**

**Parts Needed - No. 2 QTY 2  
No. 7 QTY 1  
No. 8 QTY 1**



Following the method shown in the illustration, lay the next layer of boards (**No. 2, 7 & 8**) onto the log cabin

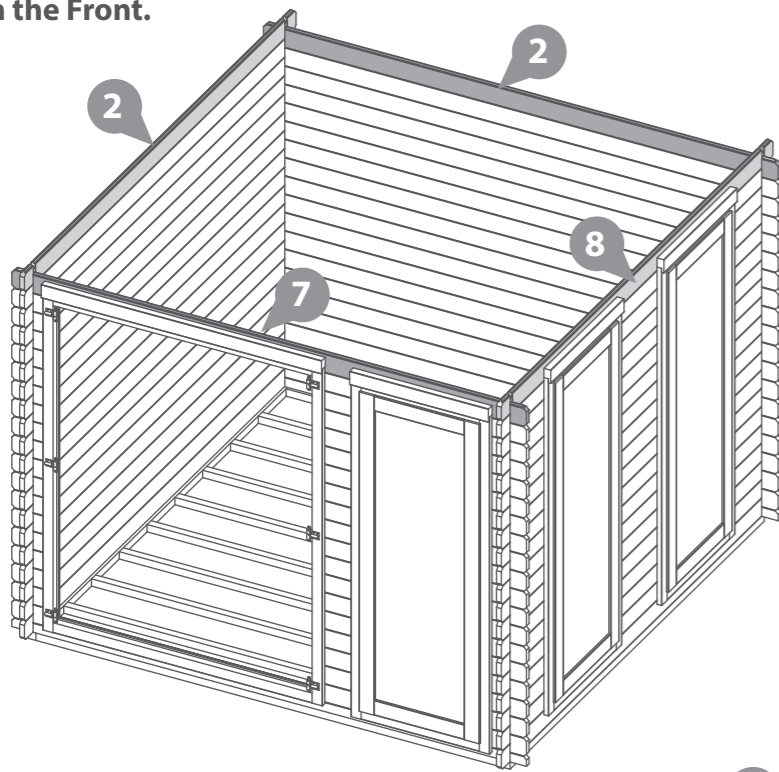
*\*Ensure that the boards are level and flush with each other as you lay each one.*

*Please note: At this point in the construction of your log cabin, the walls will be unstable. Take extra care to support them until they are stable.*

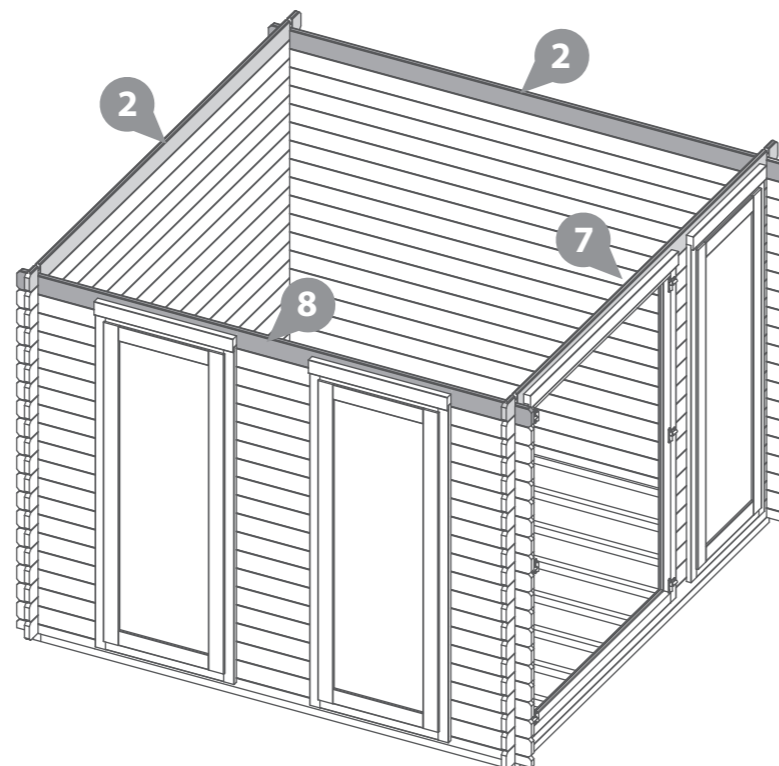


Rubber Mallet.

Doors on the Front.



Doors on the side.



**Step 15**

**Parts Needed - No. 10 QTY 2  
No. 22 QTY 4**

Lay both Gables (**No. 10**) onto a flat and level surface and locate one Vent (**No. 22**) into each vent hole, as shown. Secure in place using 2x20mm screws per Vent.

Flip the Gables (**No. 10**) over and position the remaining Vents (**No. 22**) into the opposite side of the Vent holes. Fix in place using 2x20mm screws per vent.

On one side of each gable, the vent will need to be slightly offset to an angle to ensure the screws do not collide.

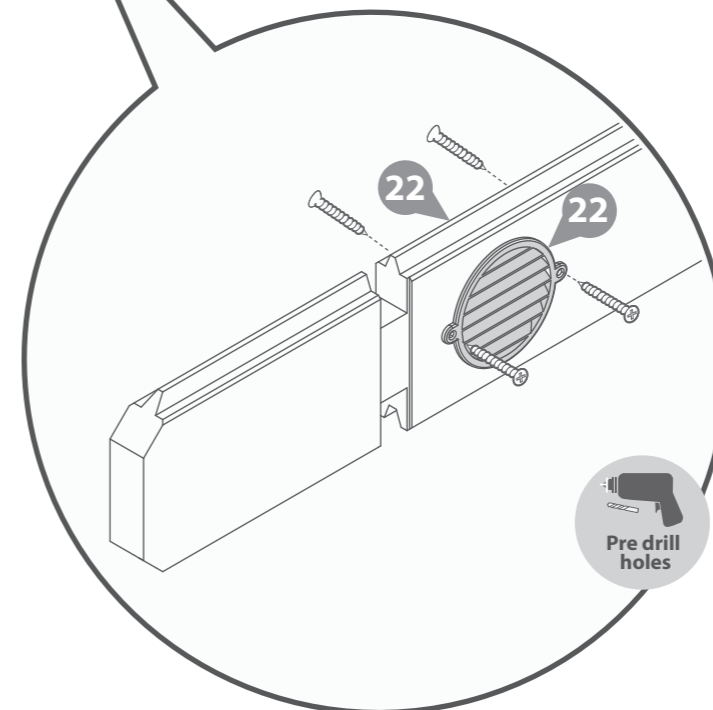
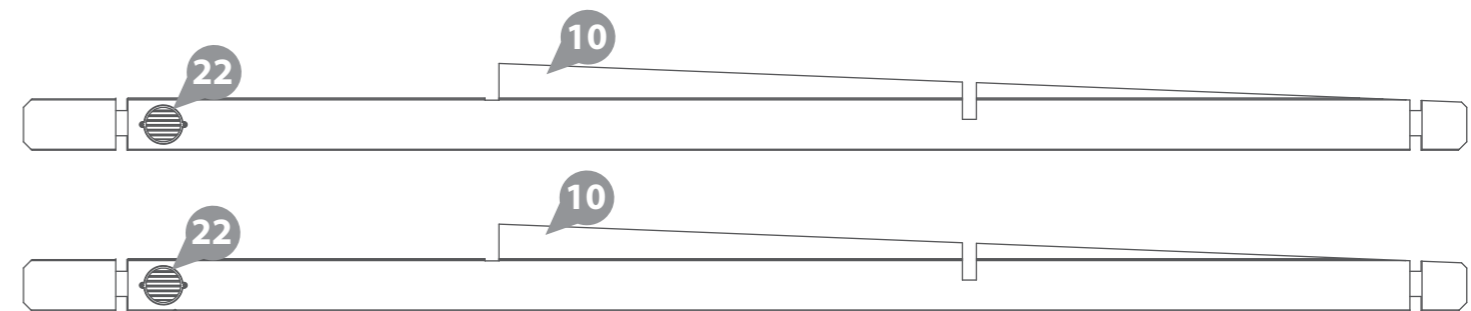
**8x20mm Screws.**  
**Important: Pre-drill before fixing screws.**



Drill / Pre drill.



20mm screw



**Step 16**

**Parts Needed - No. 2 QTY 2  
No. 10 QTY 2**

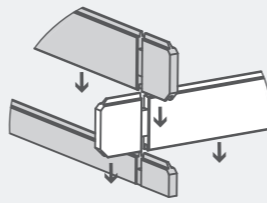
Following the method shown in the illustration, place the Log boards (**No. 2**) and the Gable (**No.10**) onto the log cabin.

*\*Ensure that the boards are level and flush with each other as you lay each one.*

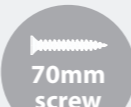
Fix each board to the one below by screwing through the notch using 1x70mm screw per corner, as shown in the illustration

**4x70mm Screws**

**Important:** Pre-drill before fixing screws.

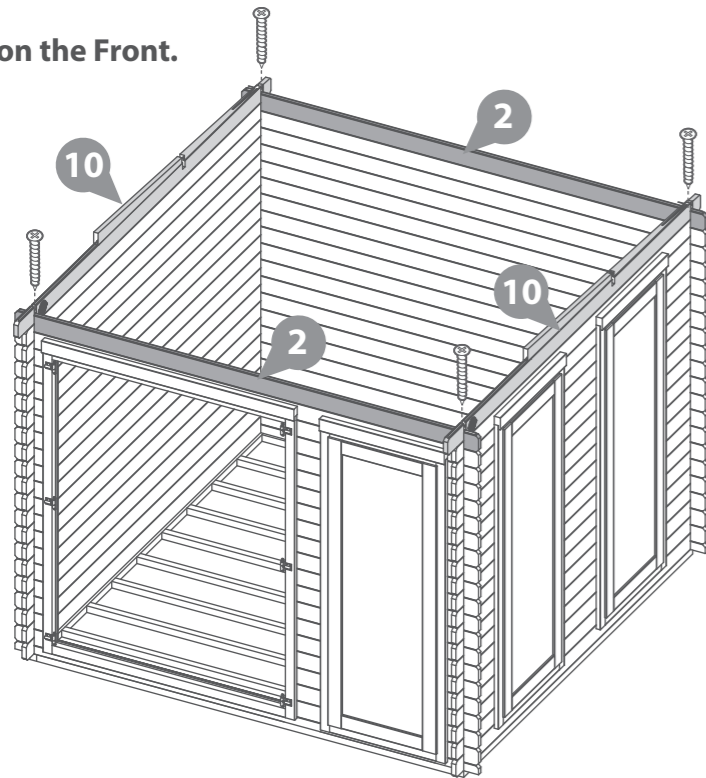


Rubber Mallet. Drill / Pre drill.

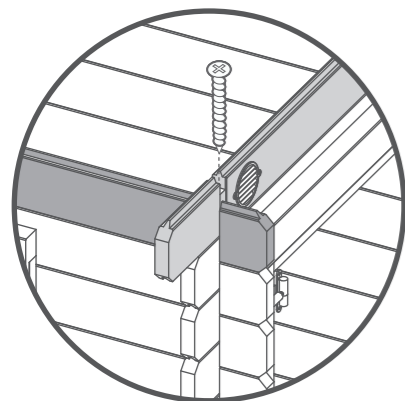
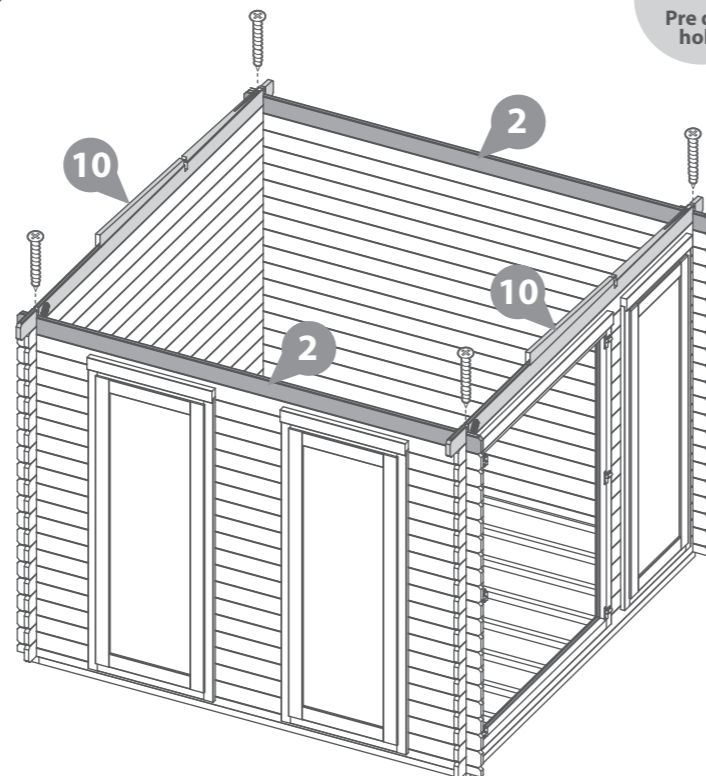


70mm screw

**Doors on the Front.**



**Doors on the side.**



**Step 17**

**Parts Needed - No. 2 QTY 1  
No. 9 QTY 1  
No. 11 QTY 2**

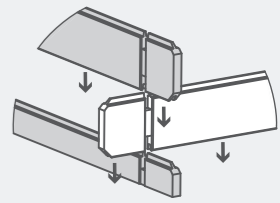
Following the method shown in the illustration, place the Log board (**No. 2**), the Finisher Board (**No.9**) and the Gable Point (**No.11**) onto the log cabin.

*\*Ensure that the boards are level and flush with each other as you lay each one.*

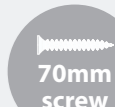
Fix each board to the one below by screwing through the notch using 1x70mm screw per corner, as shown in the illustration

**4x70mm Screws**

**Important:** Pre-drill before fixing screws.

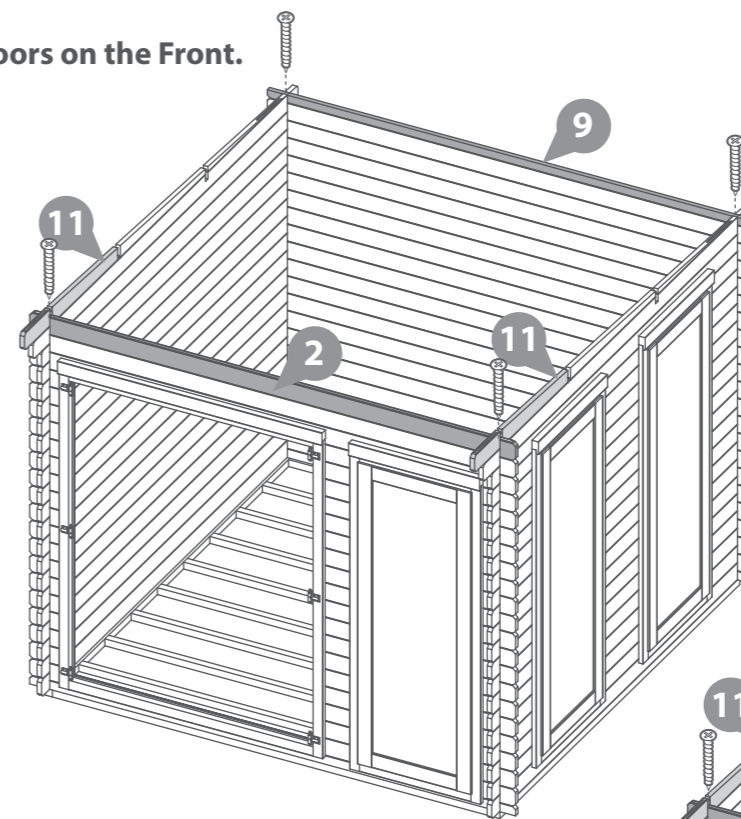


Rubber Mallet. Drill / Pre drill.

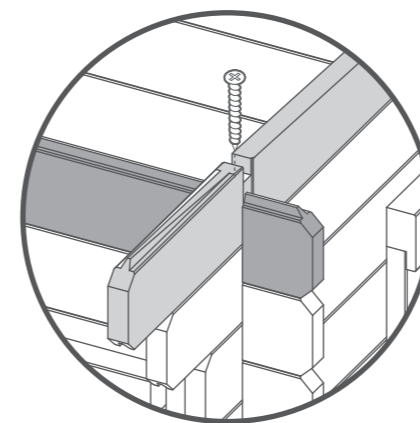
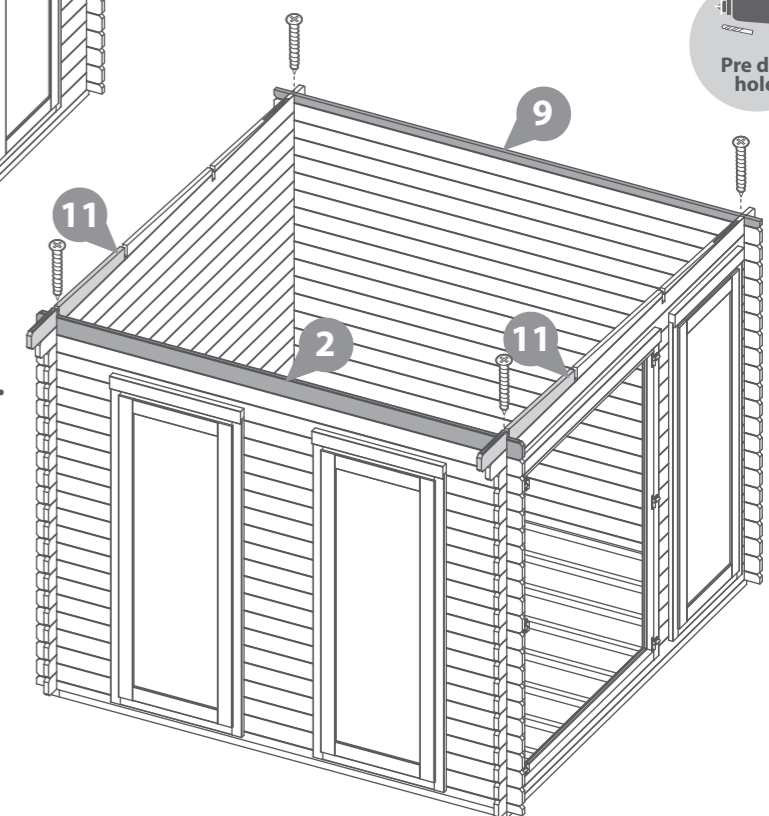


70mm screw

**Doors on the Front.**



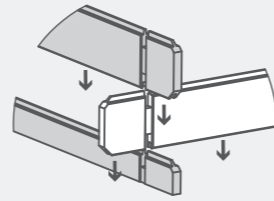
**Doors on the side.**





**Step 18**  
Parts Needed - No. 9 QTY 1

Following the method shown in the illustration, place the Finisher board (No. 9) onto the log cabin.



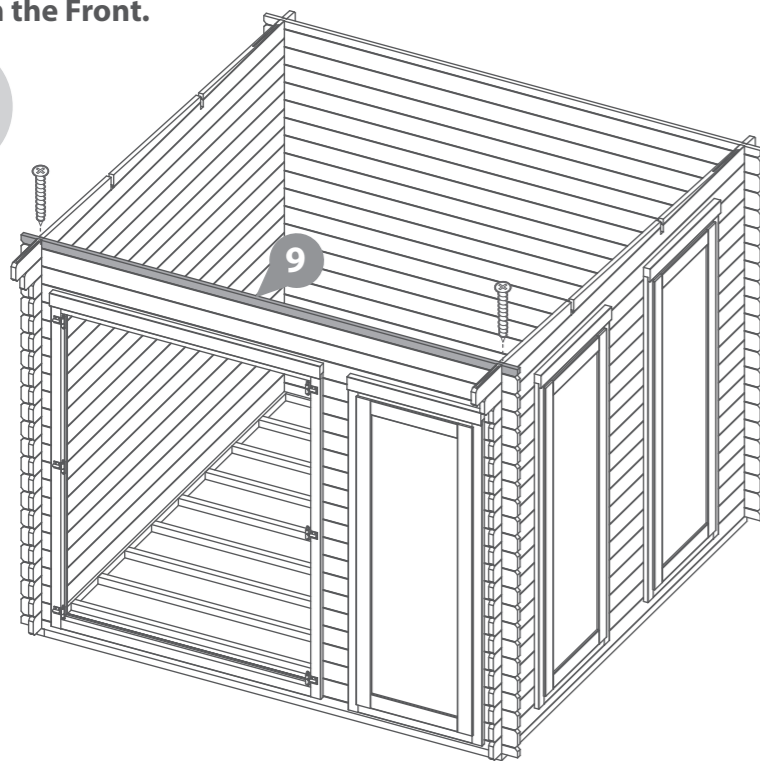
**\*Ensure that the boards are level and flush with each other as you lay each one.**

Fix the board to the one below by screwing through the notch using 1x70mm screw per corner, as shown in the illustration

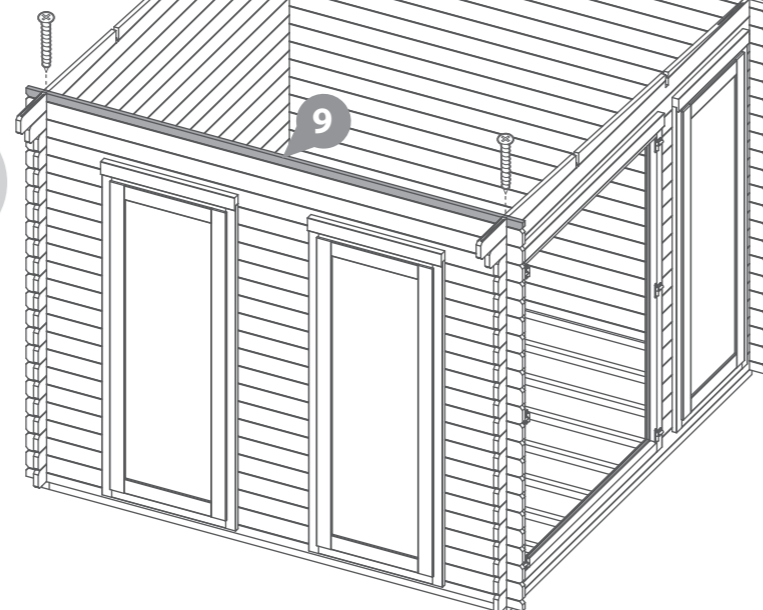
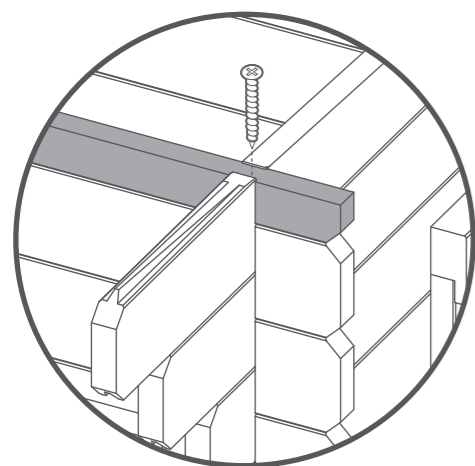
**2x70mm Screws**  
**Important:** Pre-drill before fixing screws.



**Doors on the Front.**



**Doors on the side.**



**Step 19**  
Parts needed - No. 14 QTY 2

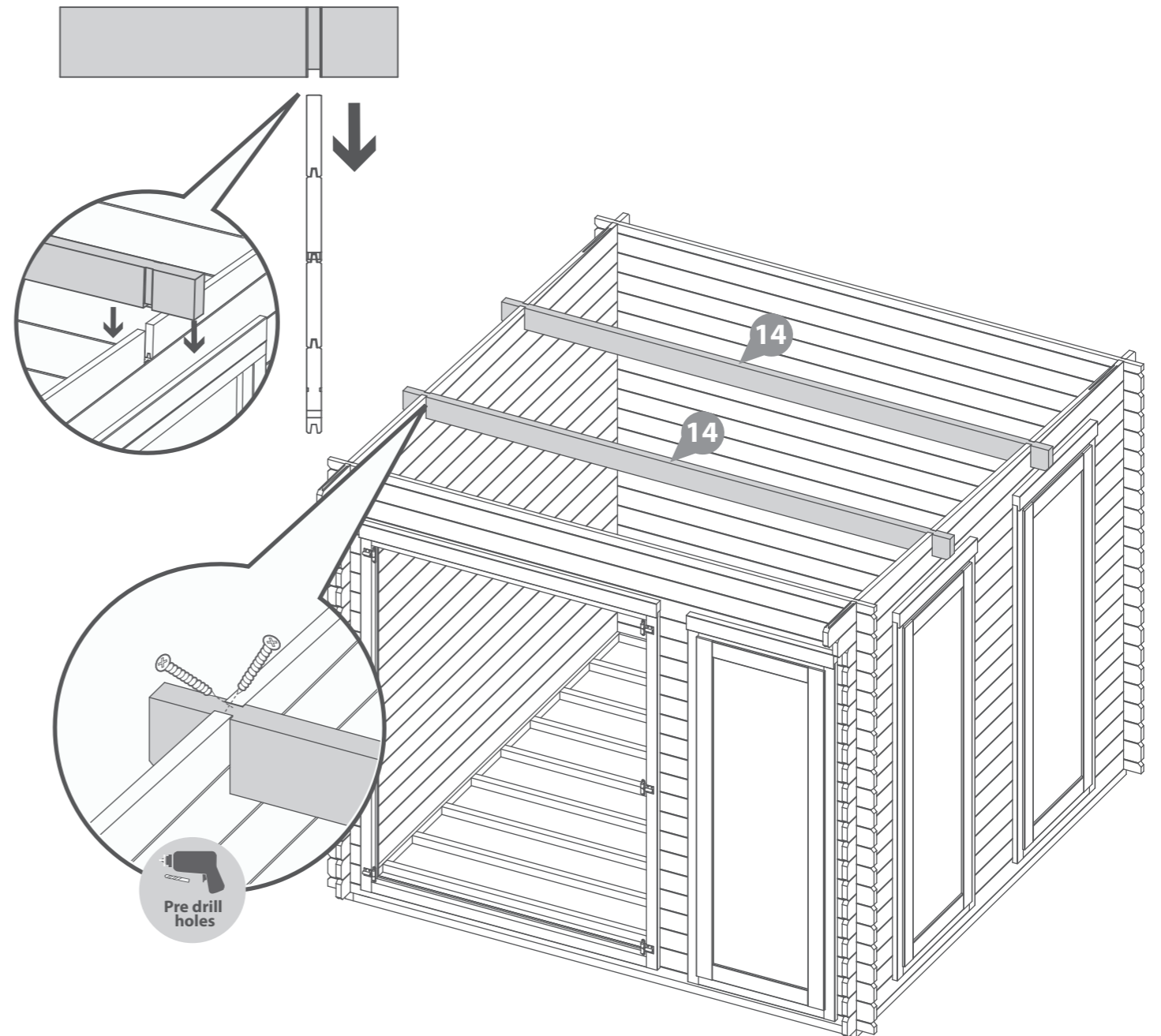
Align the Purlins (No.14) into the cut out notches on the Gables, ensuring they interlock.

**Note:** Use a mallet and a scrap piece of wood to gently fix the purlins into position.

Secure the roof purlins by screwing through the purlin into the gable (ensure to pre-drill to avoid the boards splitting) using 2x70mm screws per notch.

**\*Please Note:** This image is for illustrative purposes and may differ from your window and door position. Nevertheless the process of fitting the purlins is the same.

**8x70mm Screws**  
**Important:** Pre-drill before fixing screws.



**Step 20**

**Parts needed - No. 15 QTY 28**

**No. 23 QTY 5**

- a** Place the first roof board (**No. 15**) onto the log cabin, making sure the boards are flush to the end of the roof purlin. Ensure there is an even amount of overhang between the log boards and roof board at the front and back of the cabin. Once in position fix to the purlins, front and back of the log cabin using 4x40mm screws.

Continue to place the roof boards onto the roof, ensuring each roof board is interlocked and level. Once in position fix the roof boards to the purlins, front and back of the log cabin using 4x40mm screws per roof board.

To ensure the roof boards are not laid too close together, use the spacers (**No.23**) provided to create a 2mm gap. Adjusting the spacing between the boards allows the wood to swell in damp weather.

You have been issued with 28 roof boards, but you may only need to use 27.

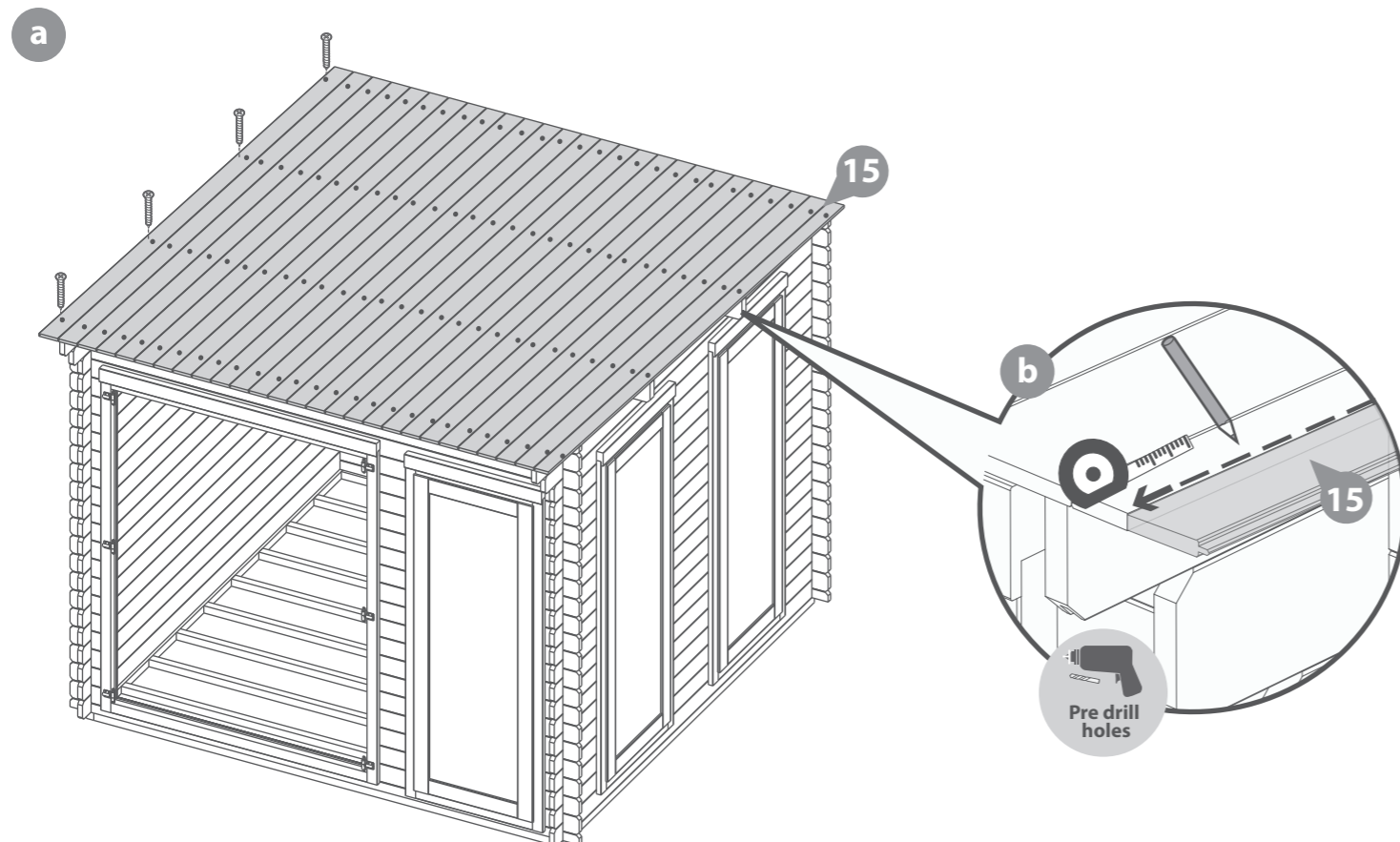
- b** The last board will overhang past the Purlins. Using a straight edge and a pencil, mark out a line as a guide.

Saw along the pencil mark and remove the excess. Place the cut down board's back onto the roof and secure into place using 4x40mm screws per board.

*\*Please Note: This image is for illustrative purposes and may differ from your window and door position. Nevertheless the process of cutting and fitting the last roof board(s) is the same.*

**112x40mm Screws**

**Important: Pre-drill before fixing screws.**



**Step 21**

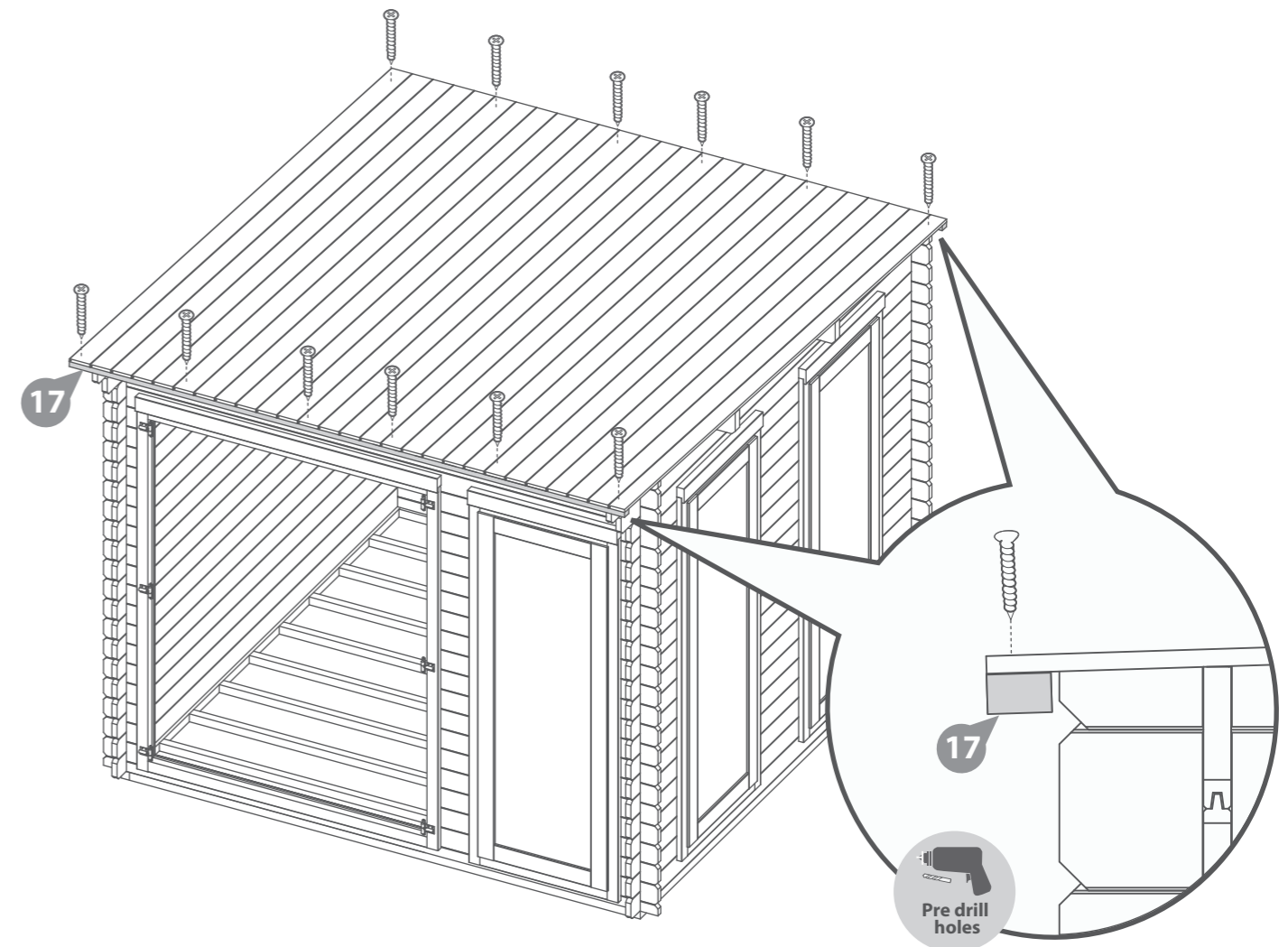
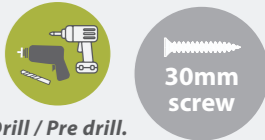
**Parts Needed - No. 17 QTY 2**

Ensuring the roof boards are flush and level, locate the Eaves Frames (**No. 17**) to the underside of the roof boards at the front and back of the log cabin. Secure in place using 6x30mm screws per frame, as shown in the illustration

*\*Please Note: This image is for illustrative purposes and may differ from your window and door position. Nevertheless the process of fixing the eaves frames is the same.*

**12x30mm Screws**

**Important: Pre-drill before fixing screws.**



**Step 22**

Lift each door onto the already existing hooks on the door frame, ensuring the hook and bands connect.

**\*Some adjustment may be required to align properly. To adjust and align your doors:**

1. Lift up the doors to separate the two parts of the hinge.
2. Turn the rotating barrel (No.36a) in / out to move the position of the doors either in or away from each other.
3. You can then place the door(s) back on to the hinge and check whether they require more / less adjustments, if further adjustments are required repeat number 2.

**Step 23**

**Parts Needed - No. 38 QTY 1**

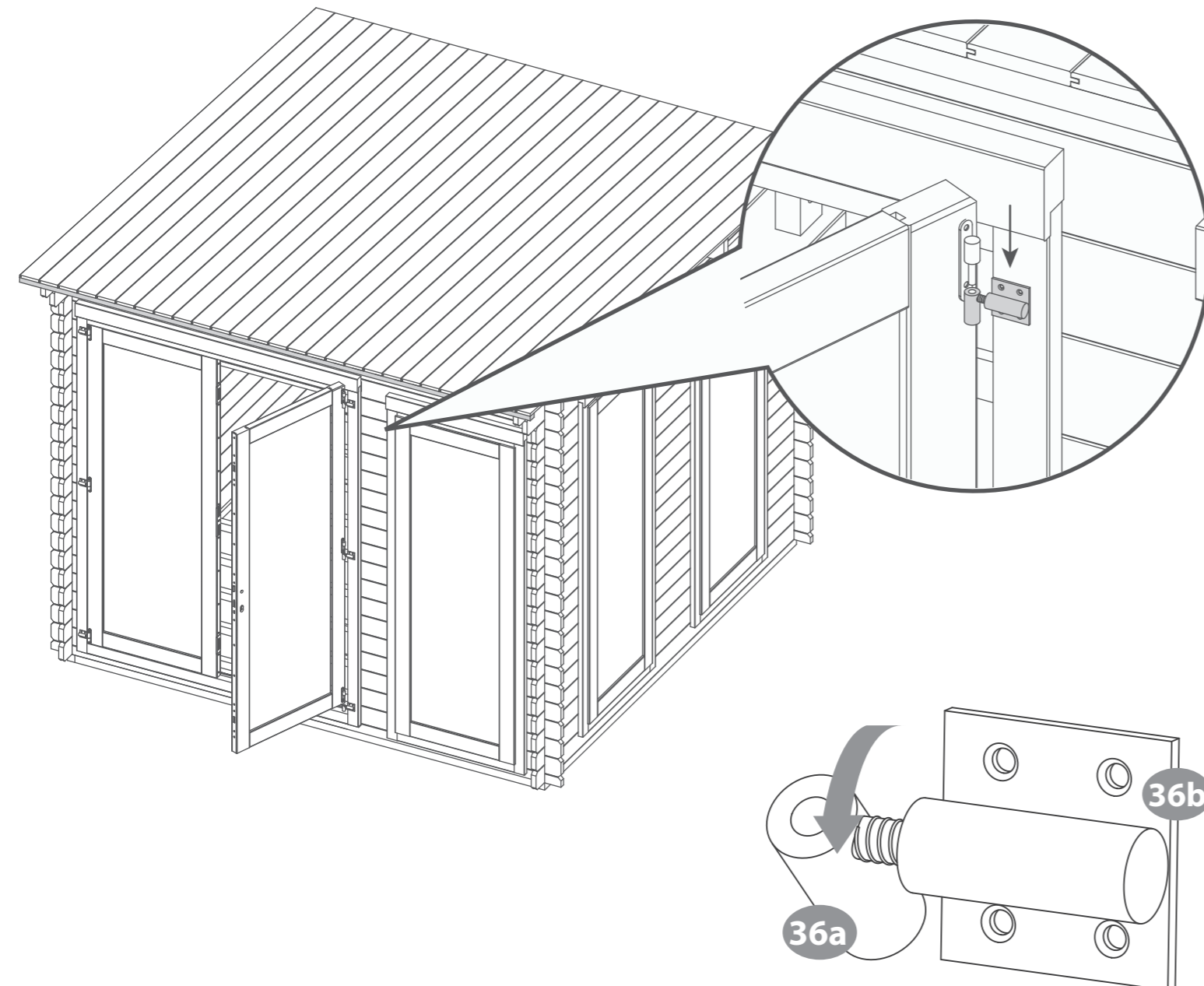
- a On the Master Door (No.28) un-screw and remove the Lock Plate from the door stile and the Central Lock, as shown. Ensure the Central Lock remains in place in the Master Door stile.
- b Locate the Cylinder Lock (No.38) into the lock shaped hole in the Central Lock. Ensure the Cylinder is positioned centrally in the door stile, as shown.
- c Re-attach the Lock Plate to the Master Door using the same screws, leaving the central lock screw out. Ensuring the Cylinder Lock (No.38) is positioned centrally in the door stile, fix the cylinder in place using the remaining screw.

Ensure the cylinder lock locates properly into the secondary door when locked, if not, then unscrew and re-adjust.

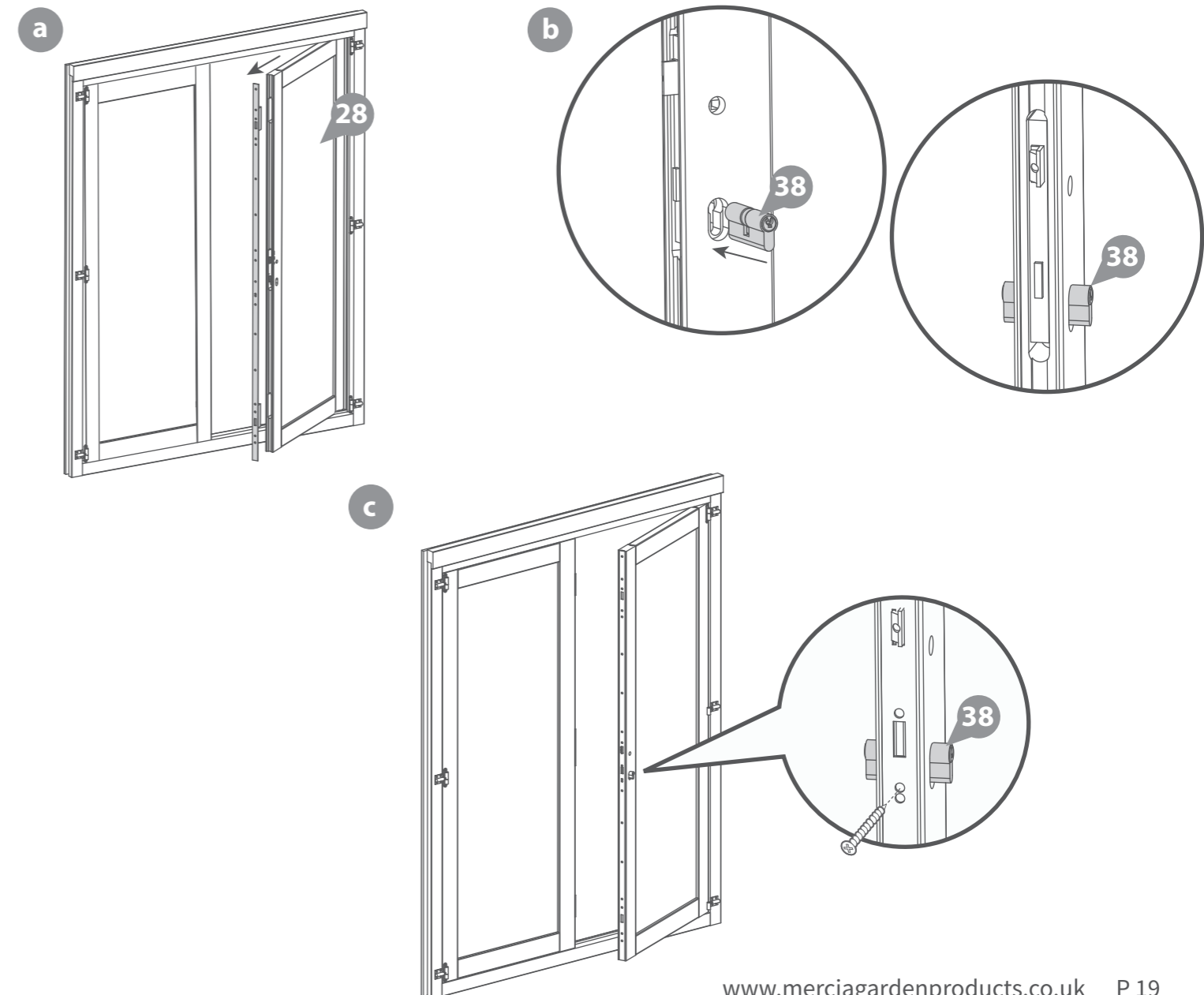
**Important:** Pre-drill before fixing screws.



Drill / Pre drill.



**\*Adjusting the door hinges\***



**Step 24**

**Parts Needed - No. 37 QTY 1**

From the Handle set (**No. 37**) position the Metal bar through the central lock and connect one handle onto either side, as shown. Ensure the handle with the screw holes sits on the inside of the Master door.

Fix the Handles in place using the two screws provided in the set.

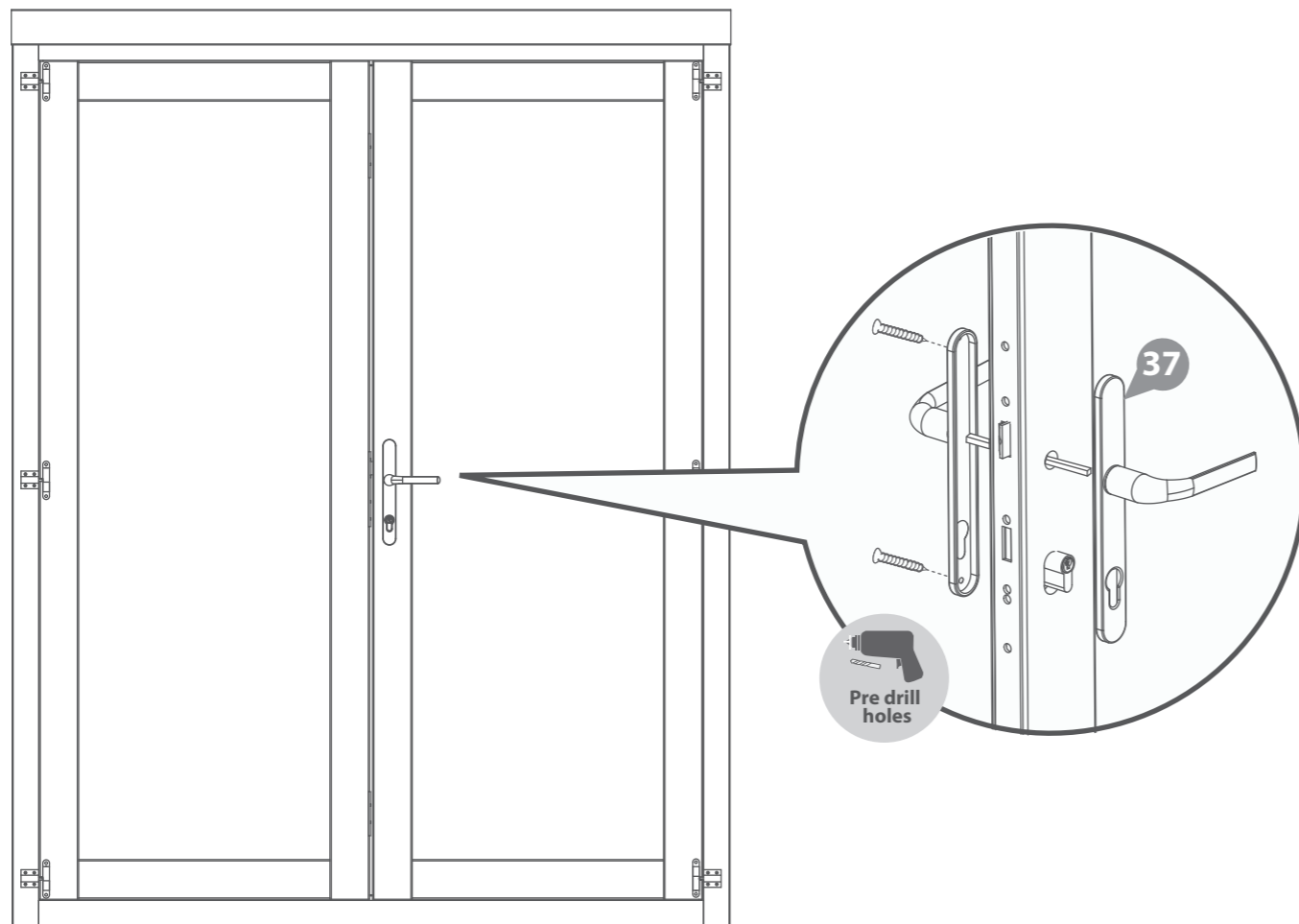
Ensure the top and bottom Hook bolts work correctly and lock into the secondary door by lifting the handles. If not, your hinges may need adjusting, please refer to step 22 for a guide. Also make sure the cylinder lock locates properly into the secondary door when locked using the key, if not, then unscrew and re-adjust.

*\*Please note: Once the components have been fitted, try closing doors to ensure the doors can be closed and the lock works. If your doors do need adjusting, please refer to step 22.*

**Important:** Pre-drill before fixing screws.



Drill / Pre drill.



**Step 25**

**Parts Needed - No. 34 QTY 1  
No. 39 QTY 2**

**a** Attach the Door Strip (**No. 34**) to the back of the Secondary Door (**No.29**) using 4x40mm screws, as shown.

**b** Once fixed, place the Tower Bolts (**No. 39**) roughly into position at the top/bottom of the door strip. With a pencil mark the around the bolt.

After marking the bolt onto the frame, drill a hole for the barrel bolt to locate into.

**c** Following the hole being drilled, place the tower bolts into position and secure using the screws provided.

**4x40mm Screws**

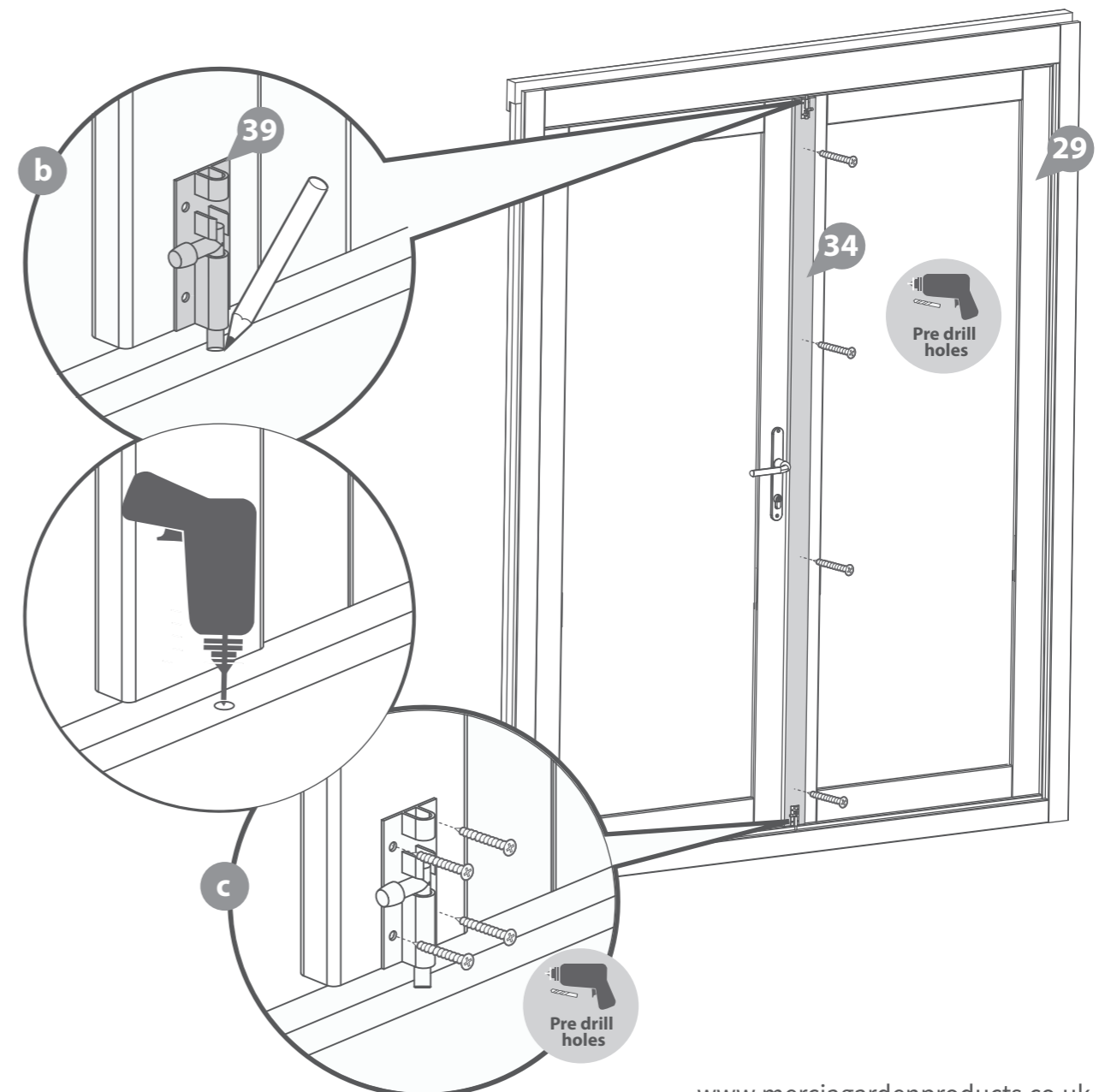
**Important:** Pre-drill before fixing screws.



Drill / Pre drill.



40mm screw



**Step 26**

**Parts Needed - No. 16 QTY 26**

- a** Place the first floor board (**No. 16**) inside the building flush to the log board on one side. Continue adding the floor boards (*internally*) making sure to interlock each individual board.

You have been issued with 26 floor boards, but in reality you may only need to use 25.

**\*Do NOT secure the boards until the last board has been measured and cut.**

- b** Once a full board can no longer fit, measure the gap between the bottom of the tongue (*on the last board placed*) and the log board. Ensure to measure at multiple points along the board for added accuracy.

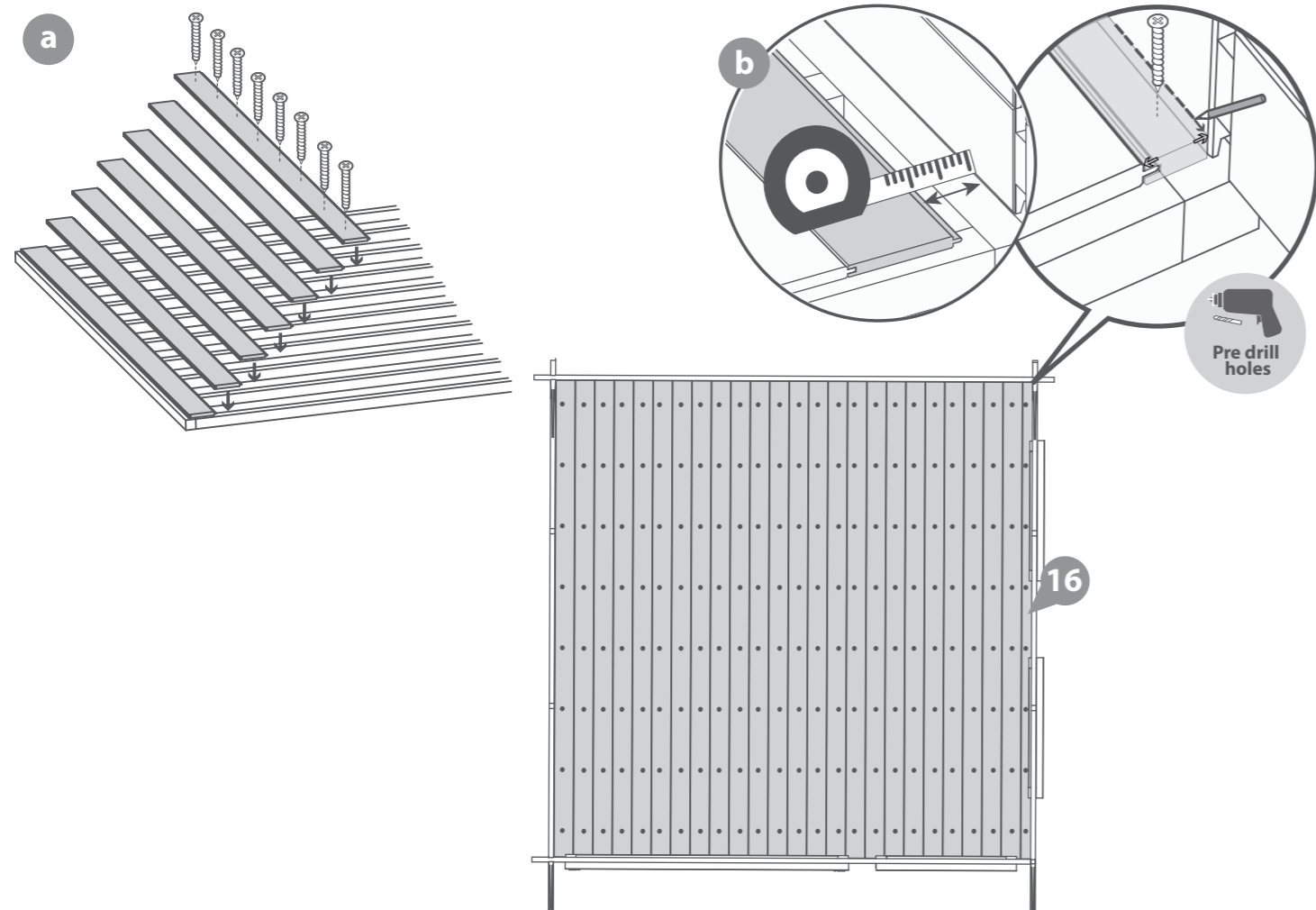
Using a straight edge, mark out the measurement onto the last floor board (**No. 16**), saw along the length and remove the excess. *Mark the final board 2mm under the measurement; This will allow the timber to expand and contract correctly.*

Once all the floor boards are in position, secure each board into position using 8x40mm screws per board.

**\*\*\*Please Note:** Ensure to screw through each of the floor boards into the floor bearers.

**208x40mm Screws**

**Important:** Pre-drill before fixing screws.



**Step 27**

**Parts needed - No. 20 QTY 5**

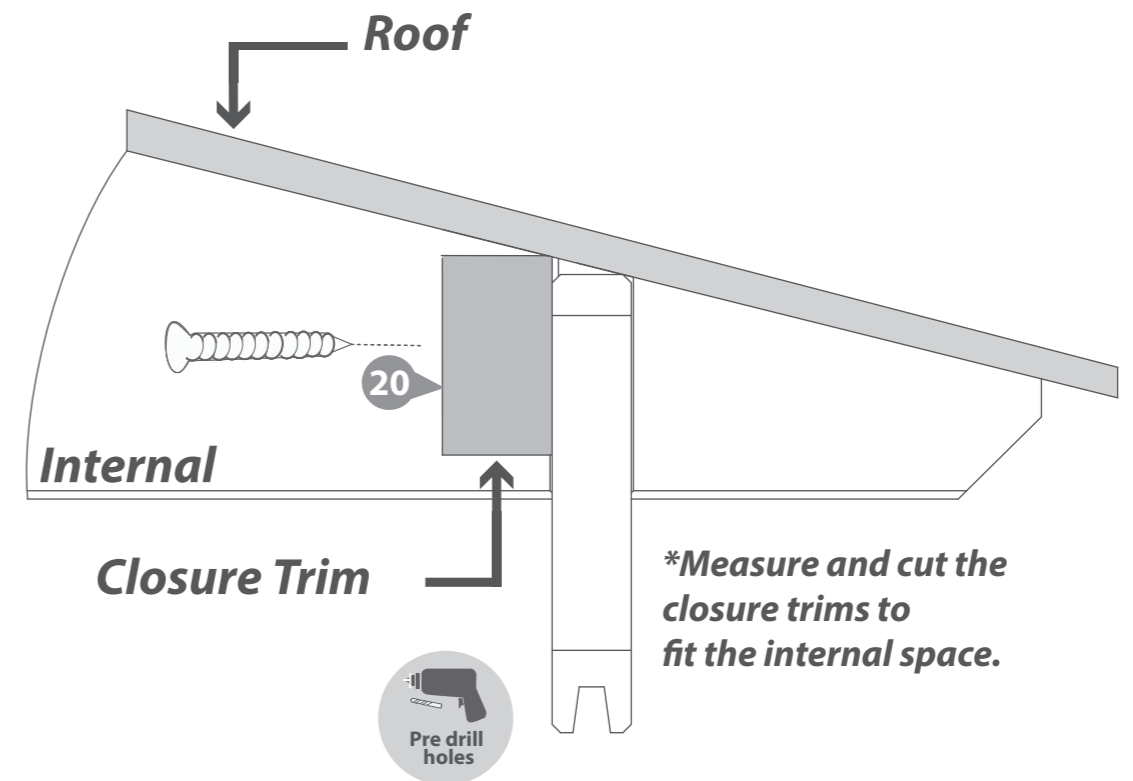
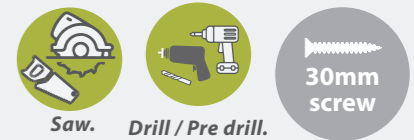
Inside the building place the closure trim (**No. 20**) against the boarding and align with the roof as shown in the illustration.

**\*Measure and cut the closure trims to fit the internal space.**

Once in position fix each trim into place by pre drilling a pilot hole and using 6x30mm screws per trim, equally spacing them along the face of the board.

**30x30mm Screws**

**Important:** Pre-drill before fixing screws.



**\*Measure and cut the closure trims to fit the internal space.**

**Step 28**

**Parts needed - No. 20 QTY 5**

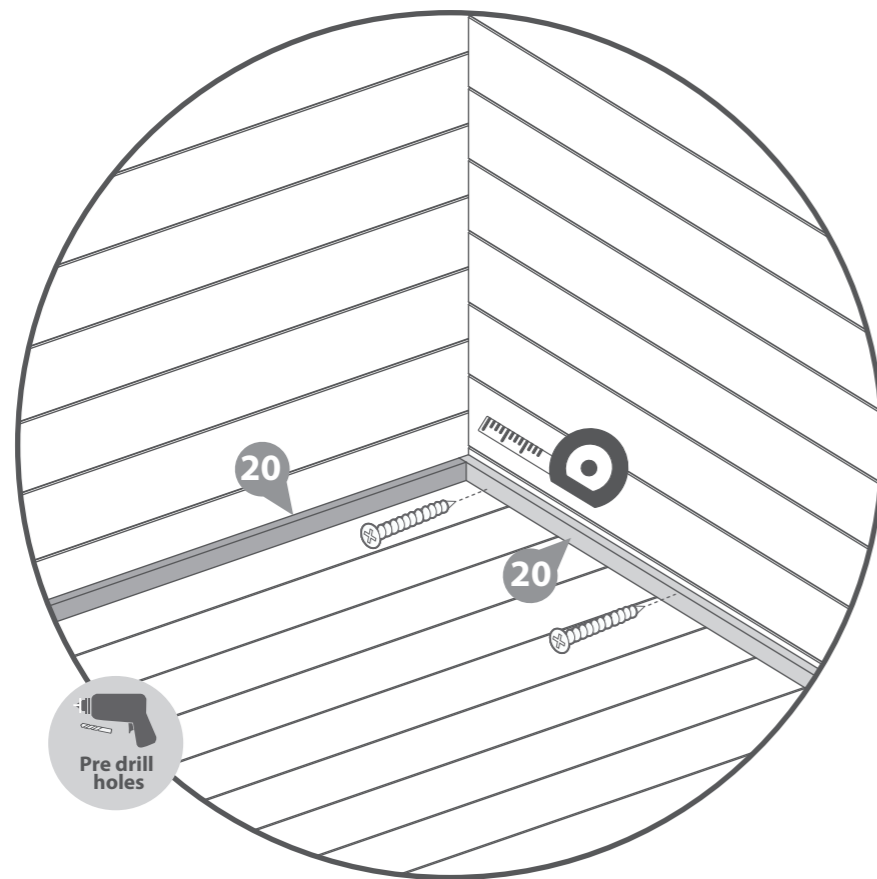
Once the floor has been laid arrange the closure trim (**No. 20**) around the outside edge of floor (**internally**), measure and cut down accordingly to best match the internal space.

Secure each trim section into place using 6x30mm spaced equally along the board as shown in the illustration.

**\*Do NOT fix the closure trim to the floor boards.**

**30x30mm Screws**

**Important:** Pre-drill before fixing screws.



**Step 29**

**Parts Needed - No. 24**

**No. 25**

**No. 27 QTY 1**

**a** Cut the Sand Capping Felt (**No.24**) into one sheet measuring: **3100mm (L) x 300mm (W)**

Cut the Sand Felt (**No.25**) into four sheets measuring: **3100mm (L) x 1000mm (W)**.

Lay the sheets onto the roof in the order shown, starting with the Capping Felt (**No.24**) as the first sheet laid, then the remaining four sheets (**No.25**), as shown.

Ensure the sheets overhang each side by 50mm and overlap each other by 100mm.

*There may be a larger overhang around the building than suggested, if so, excess felt can be cut off from around the building after fitting is complete.*

**b** To ensure a complete bond between the sheets, apply the Butyl (**No.27**) between each overlapping layer, as shown in the image. Ensure to apply the Butyl using a sealant application gun and in a 'wiggly' line for the best finish. Once applied, compact the layers to seal.

At each corner, fold the felt over each other so they sit on the front and backs of the building, as shown.

Secure the felt in place by hammering felt tacks into the overlapping layers, the front, back and sides of the building at 100mm intervals, as shown.

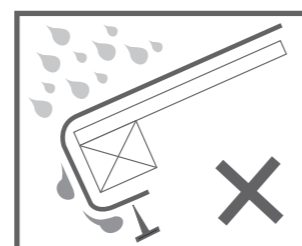
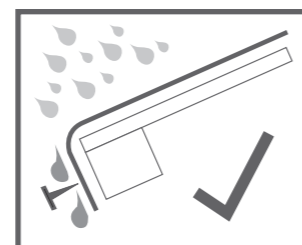
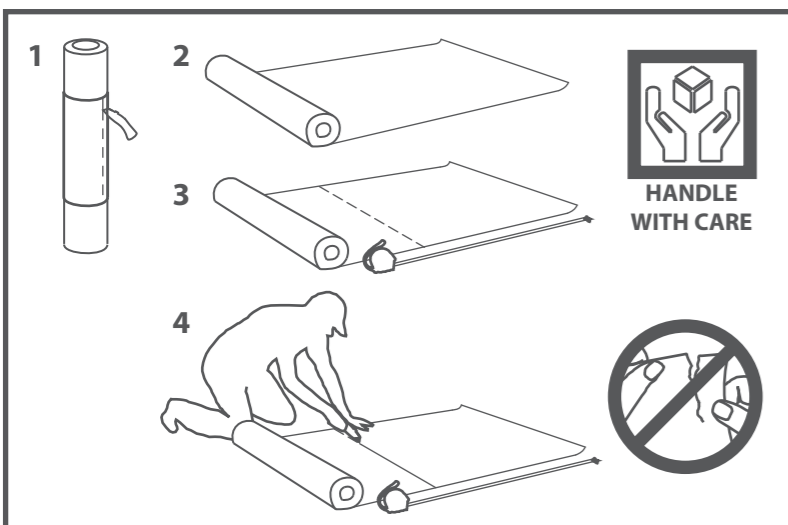
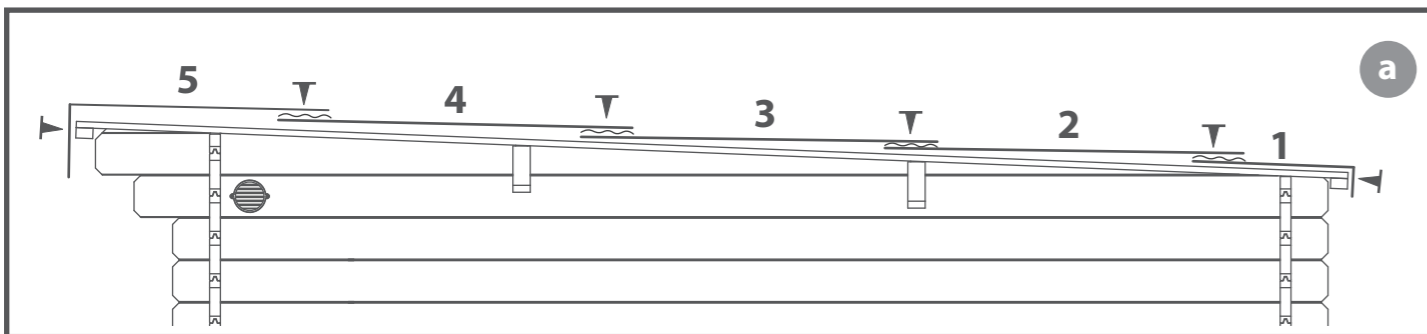
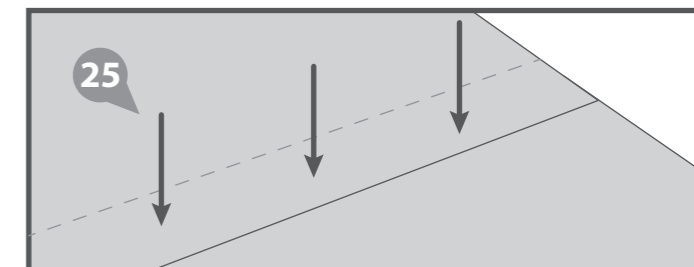
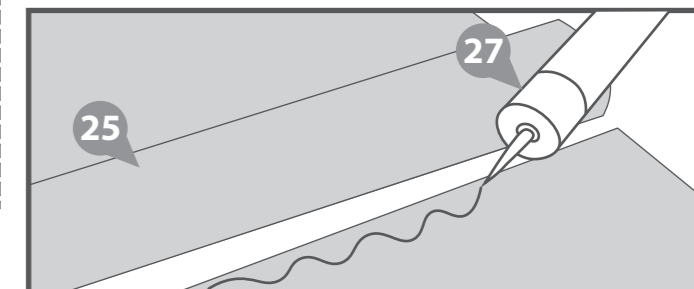
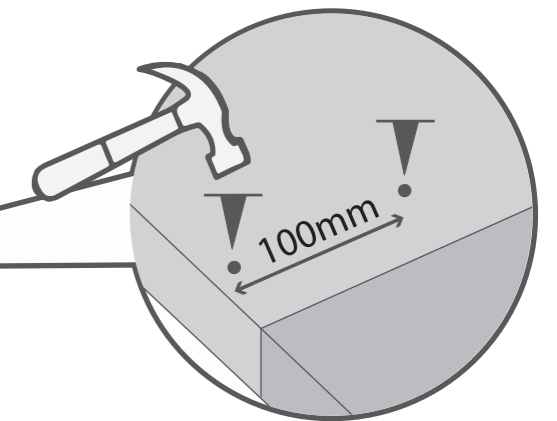
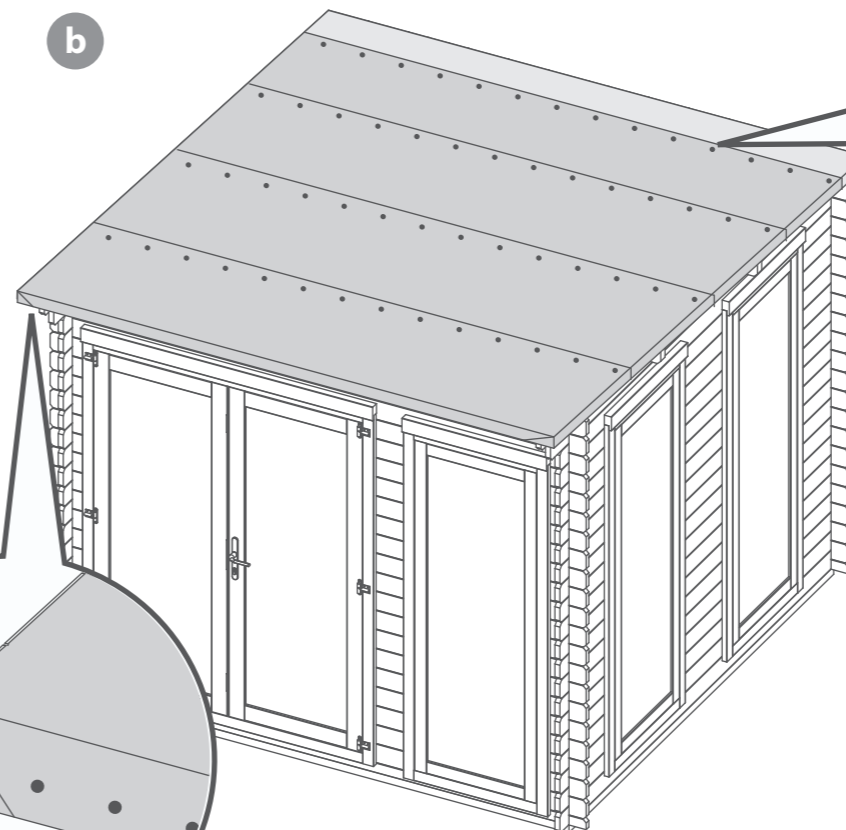
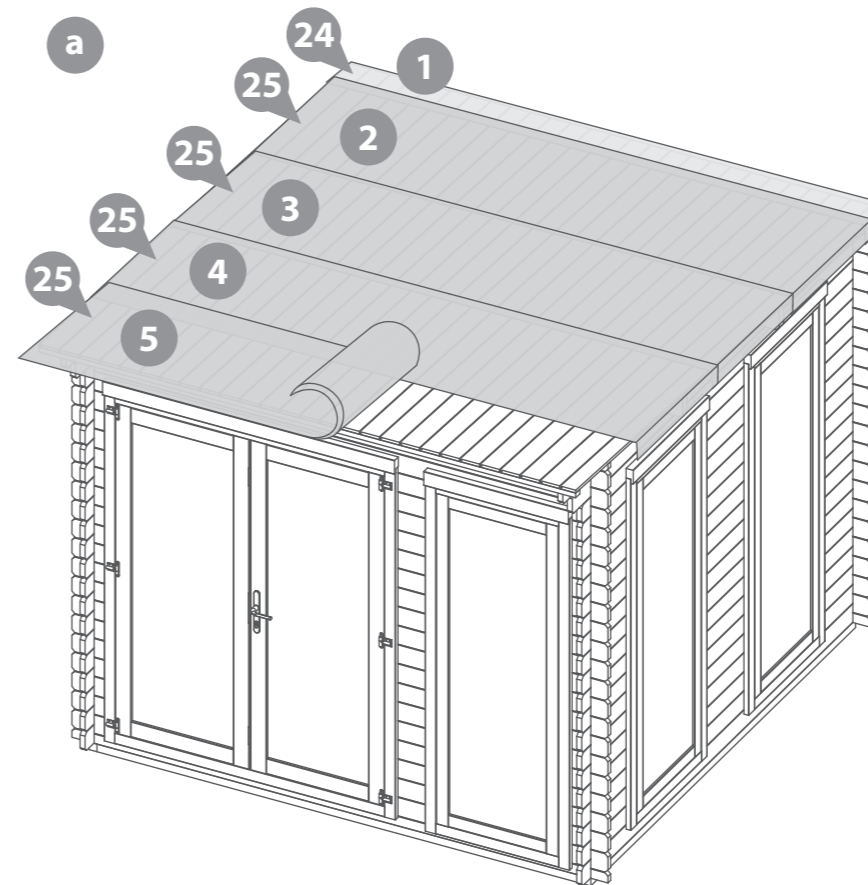
**150 x Felt Tacks**



Cutting tool.



Felt tacks



**Step 30**

**Parts Needed - No. 26**

**No. 27 QTY 1**

**a** Cut the Green Felt (No.26) into four sheets measuring: **3100mm (L) x 1000mm (W)**.

Lay the sheets onto the roof in the order shown. Ensure the sheets overhang each side by 50mm and overlap each other by 100mm.

**\*\*Make sure that where the Green felt layers overlap is offset to the previously laid Sand felt, as shown in the diagram. This will ensure the felt can be secured correctly and allows water to drain off efficiently.\*\***

There may be a larger overhang around the building than suggested, if so, excess felt can be cut off from around the building after fitting is complete.

**b** To ensure a complete bond between the sheets, apply the Butyl (No.27) between each overlapping layer, as shown in the image. Ensure to apply the Butyl using a sealant application gun and in a 'wiggly' line for the best finish. Once applied, compact the layers to seal.

At each corner, fold the felt over each other so they sit on the sides of the building, as shown. Ensure these corners sit on the opposite sides to the sand felt, as suggested.

Secure the felt in place by hammering felt tacks into the overlapping layers, the front, back and sides of the building at 100mm intervals, as shown. Ensure to stagger the tacks on the sides, front and back to avoid colliding with the layers below.

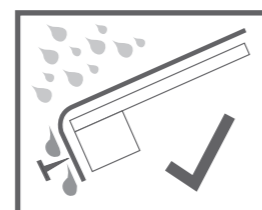
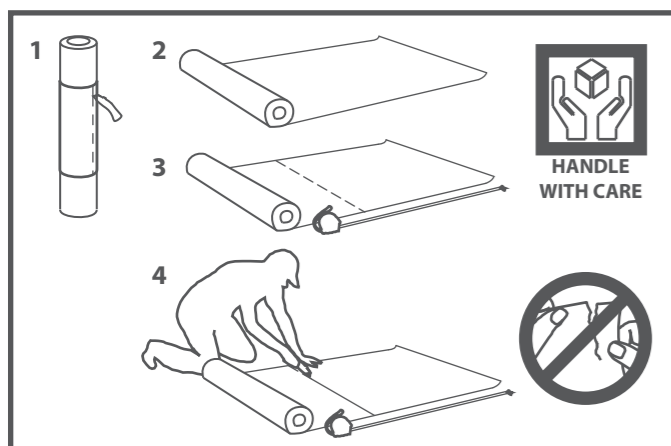
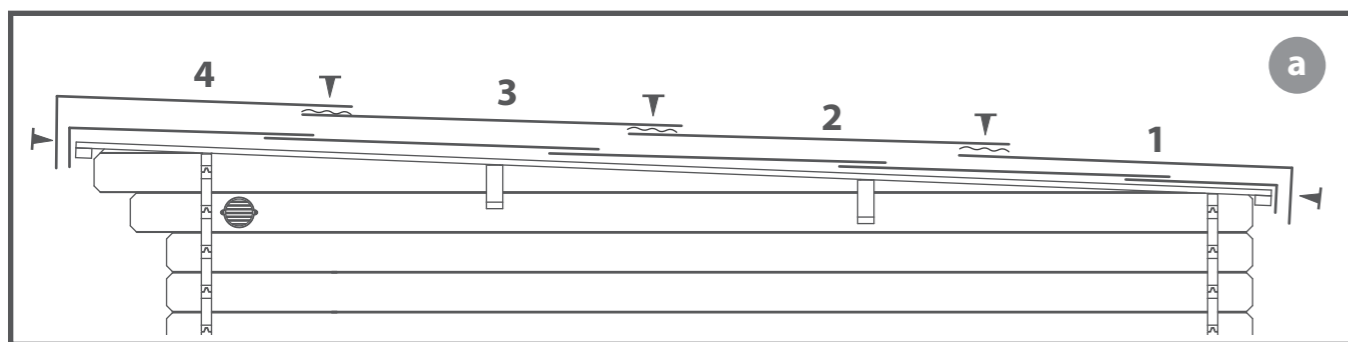
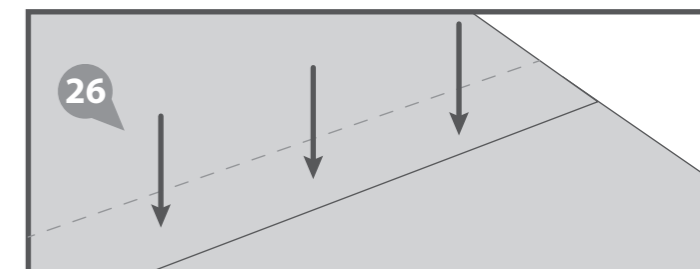
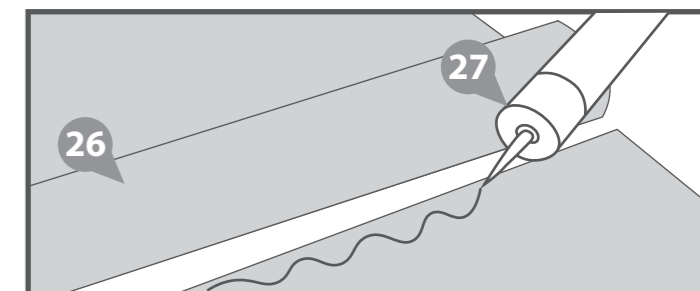
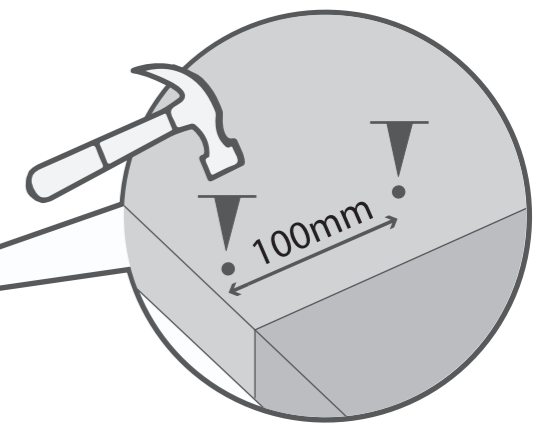
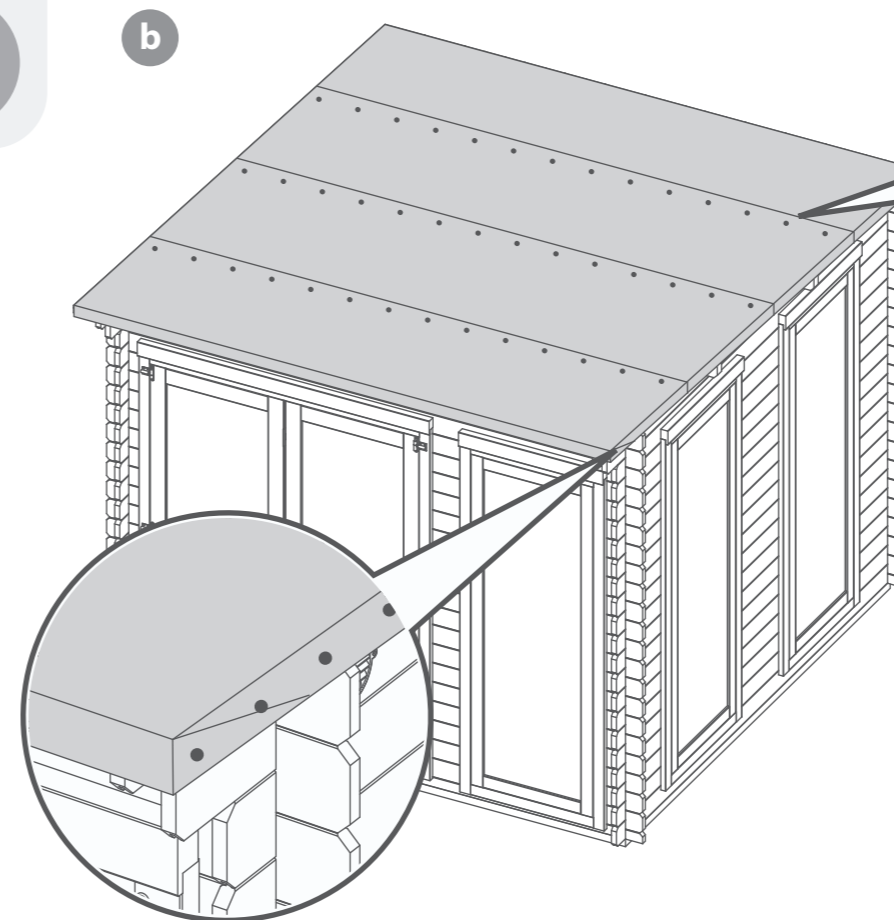
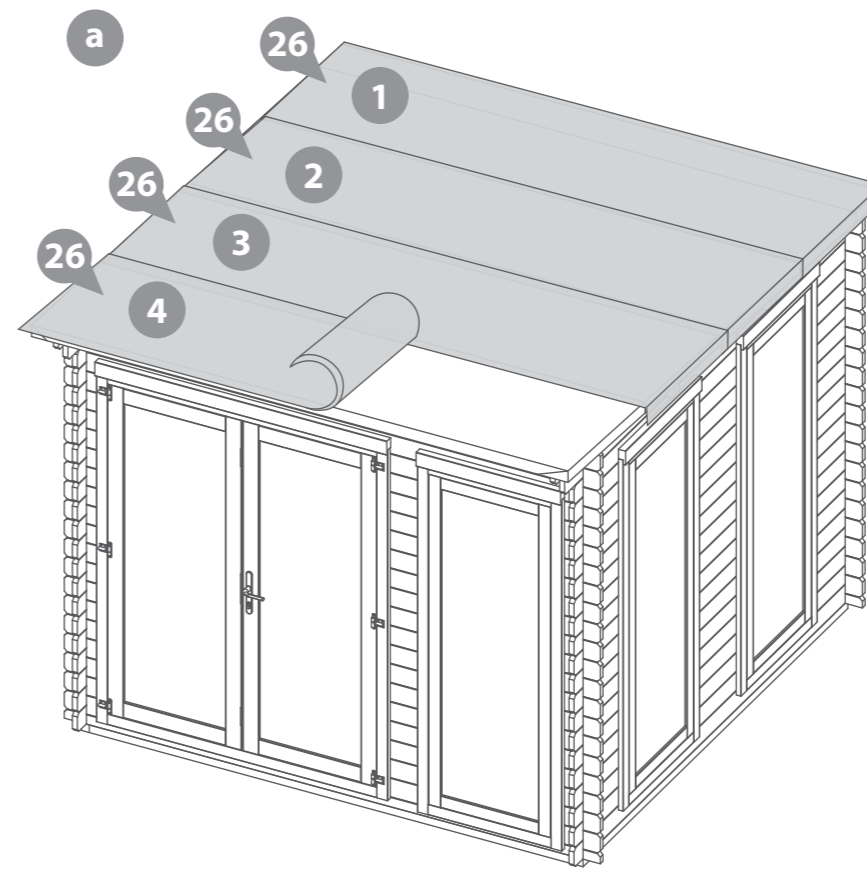
**100 x Felt Tacks**



Cutting tool.



Felt tacks





### Step 31

Parts Needed - No. 18 QTY 2  
No. 19 QTY 2

- a** Attach the Fascias (No. 18) to the front and back of the log cabin (ensuring to trap the felt in between the fascias) securing in place by screwing through the Fascia into the Eaves Frames using 4x40mm screws per Fascia.

Once in place mark the excess Fascia with a pencil and trim the Fascias to follow the shape of the building as shown in the illustration.

- b** Locate the Fascias (No. 19) to the sides of the log cabin (ensuring to trap the felt in between the fascias) and secure in place using 6x40mm screws per fascia, screwing through the Fascia in to the Purlins, eaves frame or log board behind.

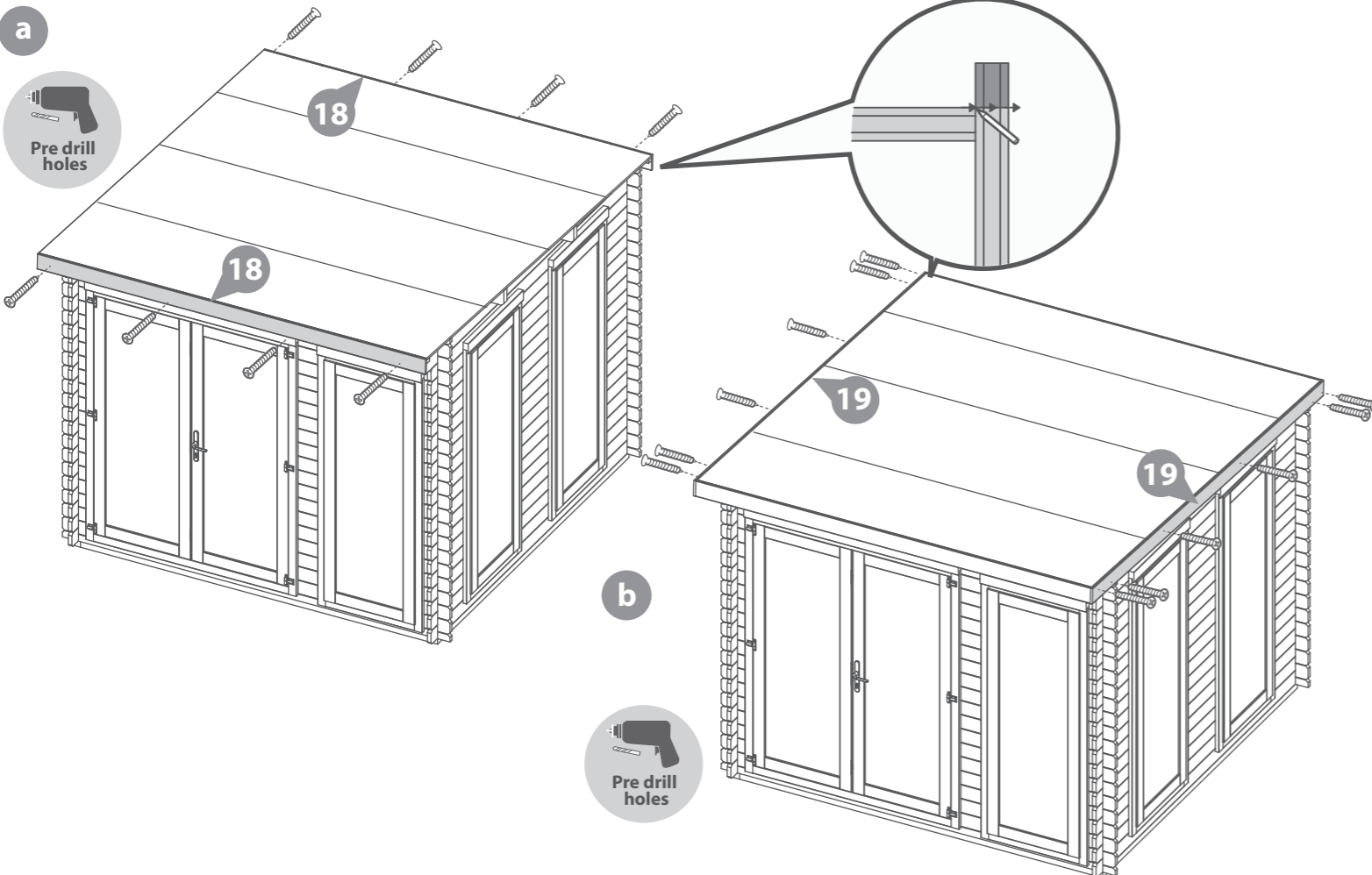
Once in place, repeat the above method to trim the fascias to follow the shape of the building.

**Ensure the fascias at the back of the log cabin sit level or lower than the felt to allow water to run off.**

**\*Please Note:** This image is for illustrative purposes and may differ from your window and door position. Nevertheless the process of fitting the fascias is the same.

**20x40mm Screws**

**Important:** Pre-drill before fixing screws.



### Step 32

Parts needed - No. 21 QTY 8

Arrange the storm braces (No.21) around the building (**internally**), placing two storm braces per wall.

**\*Ensure the storm braces are secured at the highest point possible on each side.**

Fix in place using 2x80mm bolts per brace, making sure the washer & nut are tightened from the outside of the building.

The storm braces will need to be altered during the buildings life as the moisture content within the log boards changes. The boards will expand during periods of high moisture (Winter) and shrink during periods of low moisture (Summer.)

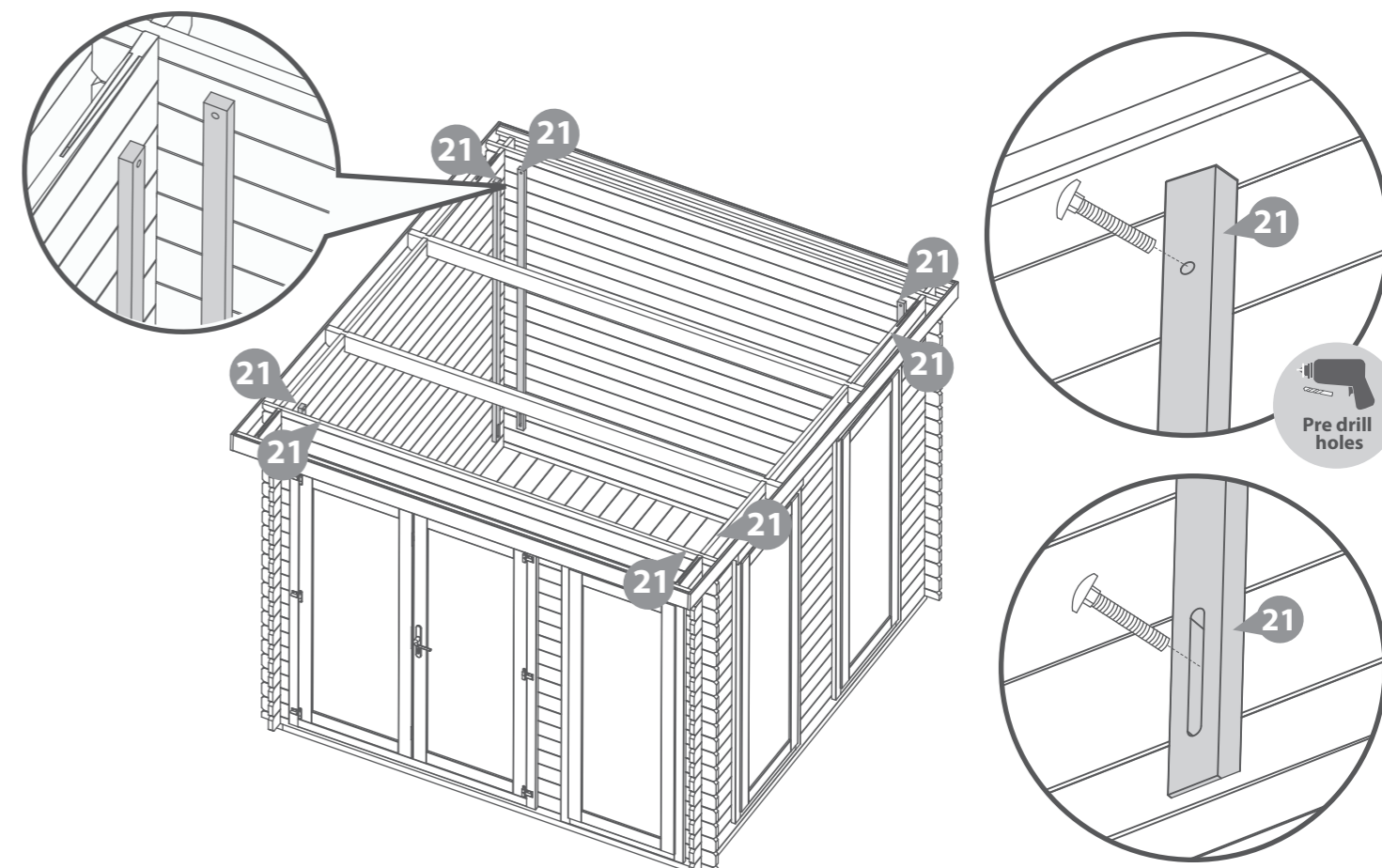
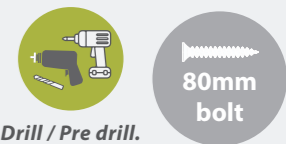
**\*\*Storm braces are required to be adjusted during changes in humidity to allow the building to expand and contract. To do this, periodically loosen the bolts, adjust the storm brace position and re-tighten.**

**\*\*\*Important:** Ensure each bolt is tightened using a washer so as not to damage the log boards.

**\*Please Note:** This image is for illustrative purposes and may differ from your window and door position. Nevertheless the process of fitting the storm braces is the same.

**16x80mm Bolt Sets**

**Important:** Pre-drill before fixing screws.



### Step 33

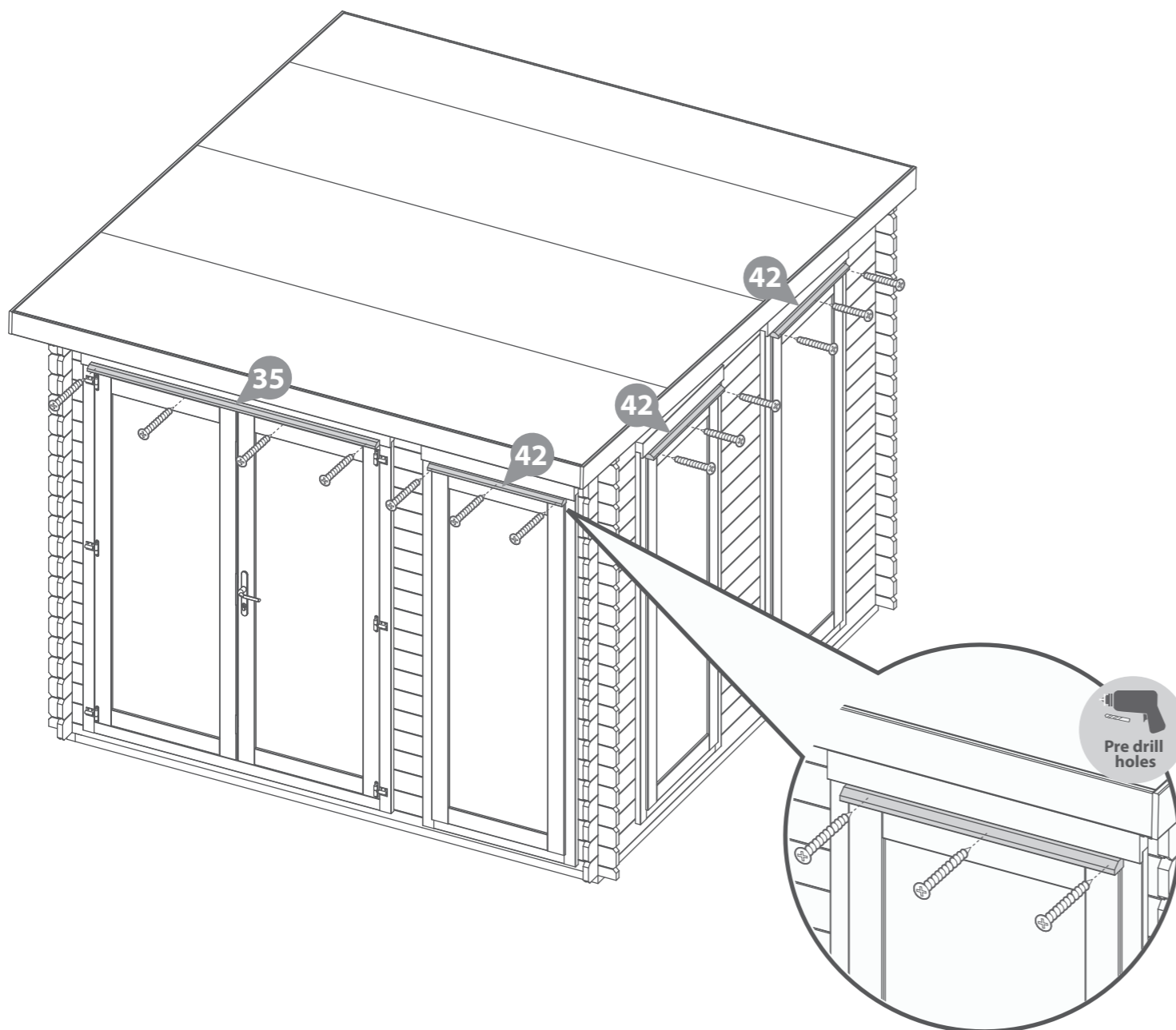
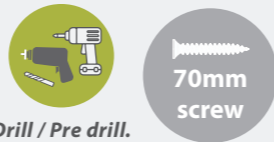
Parts Needed - No. 35 QTY 1  
No. 42 QTY 3

Attach the Rain Guards (No. 42) to the Window frame, ensuring to position the rain guard directly above the window, flush to the underside of the top framing, as shown. Make sure the rain guard is positioned centrally. Fix in place using 3x70mm screws per rain guard.

Attach the Rain Guard (No. 35) to the Door frame, fixing in place onto the framing above the Door using 4x70mm screws.

**\*Please Note:** This image is for illustrative purposes and may differ from your window and door position. Nevertheless the process of fitting the rain guards is the same.

13x70mm Screws.  
**Important:** Pre-drill before fixing screws.

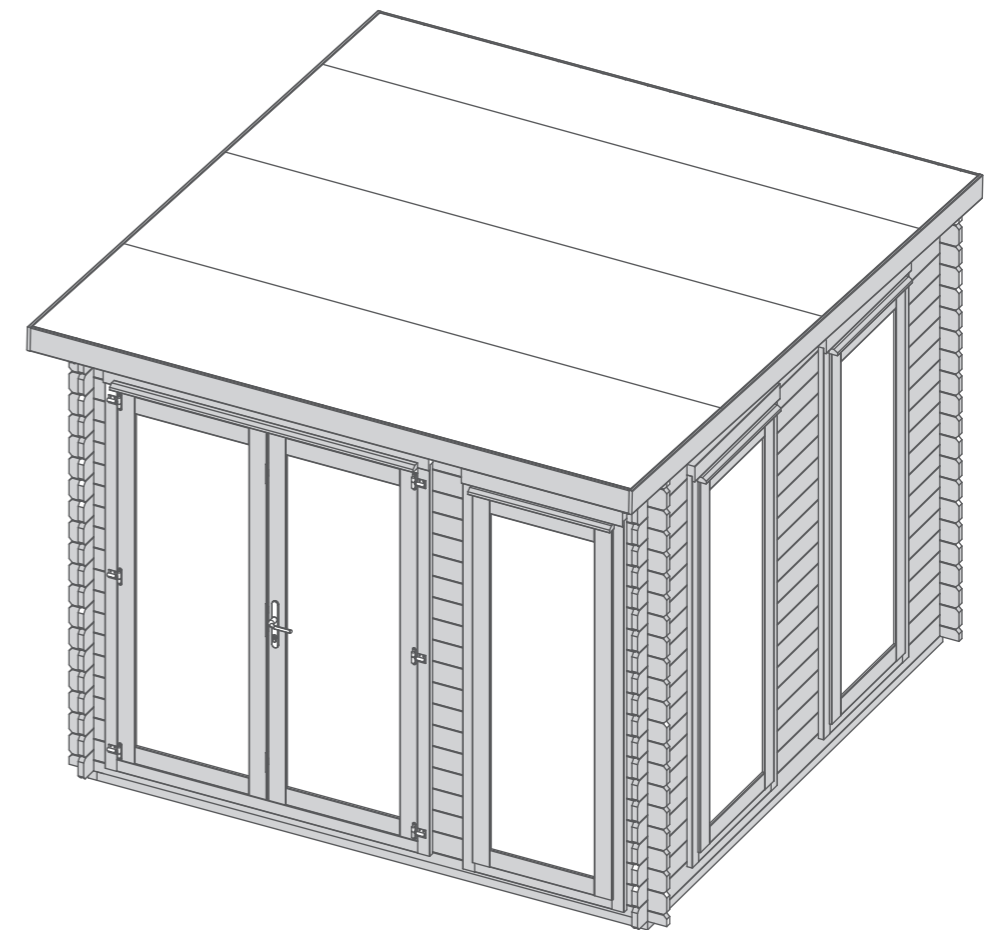


### Step 34

Once constructed, apply a preserving and a waterproofing treatment to your garden building as soon as possible. This will help to protect your building and prevent decay.

**\*Please Note:** This image is for illustrative purposes and may differ from your window and door position. Nevertheless the process of treating your building is the same.

See page 27 for a full guide and instructions.



**LEAVE US A REVIEW...**

Want to share your experience with us? Leave us a review on Feefo, TrustPilot or Google.

Your reviews help other people find and trust our business, as well as helping to play an important role in our growth and improvement!

## TREATING YOUR GARDEN BUILDING

Preservation of wood that's outdoors is vital. A little early care will help protect your garden building, improve its appearance and ensure maximum longevity. Insects, moisture, salt, and changing weather can have dramatic effects on the stability and appearance of your garden building. Once your building is installed, you've checked it over and you're happy with it, you can take a few basic precautions to prepare it for the elements. Treating your garden building helps prevent decay and, by repelling water, discourages the growth of moulds and fungi that could jeopardise the structural integrity of the wood.

**Dip Treated buildings** - Require a preservative treatment to protect against rot and decay and a waterproof treatment to prevent water ingress  
**Pressure Treated buildings** - Require a waterproof treatment to prevent water ingress  
**Log Cabins/Insulated Garden Rooms** - Are supplied untreated and require a preservative and waterproofing treatment.



### ANY QUESTIONS?

Scan the QR code to contact us via our customer portal.

To apply a preservative and water proofing treatment (pressure treated products do not require a preserver), follow the manufacturer's instructions but in principle, stick to the following steps:

- ✓ Weather permitting, ensure to treat your garden building within 14 days of installation.
- ✓ Wear latex or rubber gloves, eye protection and (if spraying) a mask.
- ✓ Prepare the wood, by sanding down any ridges or inconsistencies in the wood, smoothing out knots and end-cuts.
- ✓ Choose a dry day to treat your garden building. If you're spraying rather than brushing paint on, avoid a windy day.
- ✓ Be sure you can safely reach all the sections you need to paint - and if you need a ladder, make sure it's safely positioned before climbing. Lay dust sheets around to avoid paint splatters on your base or surrounding plants.

- ✓ Tape around windowpanes to avoid smears when you're painting the frames.
- ✓ Keep pets and small children out of the way. The last thing you want is to have fur on your garden building paint, or little painted footprints all over your garden and home.
- ✓ Fill any gaps in the building's body with caulk or wood filler to prevent water and draughts getting in. Silicone based caulk is flexible and will move with the timber when temperature and humidity change. Allow to dry completely before treating. A handy tip for finding gaps is to go into your garden building and look for light leaking through joins and frames. If light gets in, then so will water.
- ✓ Liberally apply at least two coats of the treatment products with a brush or spray, taking care to allow the first coat to completely dry before applying the second.
- ✓ Make sure the solution permeates the whole of the surface area, especially around natural cracks, end cuts and nail/screw holes.



APPLY WOOD TREATMENT  
**IMMEDIATELY**  
AFTER ASSEMBLY

PLEASE SCAN HERE TO  
SEE TREATMENT VIDEO:



## 1 Perimeter

Check around the perimeter of your product to ensure there are not trees or plants that are in contact with or overhanging the building. This can affect airflow and overhanging trees, or branches can damage the roof, it is advised to keep plants at a distance.

## 2 Repair

Inspect the interior and exterior of the product to look for splits, cracks, and holes. Although this is a natural occurrence it can be prevented. A wood filler can be used to close the splits, cracks, and holes.

## 3 Roof

Check your roof regularly for tears, splits, damaged wood and fallen debris. If you notice any of this immediate repair is critical.

## 4 Doors & Windows

Expansion and contraction can cause doors and windows to stick or become difficult to open. Small adjustments to the hinge position can be made to the doors and windows to allow free movement.

## 5 Oil

Hinges can seize up over time, apply lubricant to the hinges and locks annually.

## 6 Screws & Bolts

It is advised to check all screws and bolts and tighten any loose you might find. For log cabins specifically the storm braces will require loosening. During humidity and temperature changes (seasons) to allow expansion and contraction to prevent gaping, twisting, popping, and warping.

## 7 Wash

At least once a year, give the outside of you building a good wash, to remove cobwebs, leaves, or any other dirt that may accumulate on the exterior.

## 8 Airing

Airing your product regularly prevents the build up of condensation which can cause the timber to warp, bow, boards to pop, distortion, rot and mould. Condensation can build up over time or daily, it is caused by a rise and fall in temperature.

Excessive moisture levels within your building can cause water to collect on the roofs, walls and floors internally. Leaving doors and windows open regularly can help combat the natural moisture build up.

## 9 Storm Braces

The storm braces will need to be altered during the buildings life as the moisture content within the log boards changes, altering the braces will help your building expand and contract properly. The boards will expand during periods of high moisture (Winter) and shrink during periods of low moisture (Summer).

Ensure each bolt is tightened using a washer so as not to damage the log boards.

## 10 Clean & Tidy

It is good practice to clean the inside and outside of your product regularly. Clear out the contents, sweep the floor, remove dirt and cobwebs. Check for areas of damp and investigate the cause to remove and prevent future occurrences. Check the ground around your product for build up of debris such as leaves, remove and ensure there is clear ventilation underneath the floor.

### Additional Playhouse Maintenance:

It is recommended that the following checks and maintenance are carried out at the beginning of each season as well as at regular intervals during the usage season.

- Check all nuts /bolts/ screws for tightness and tighten when required.
- Check for movement / opening of wood giving rise to protrusion of nail heads and tips.
- Check hinges.
- Replace defective parts in accordance with the manufacturers instructions.
- Check any crossbeams, suspensions and anchors.
- If a swing is included; check the swing seat, chains and ropes.

**IF THESE CHECKS ARE NOT CARRIED OUT THE ACTIVITY TOY COULD BECOME A HAZARD**

All our garden buildings have been designed and manufactured with care and attention to be the perfect addition to your outdoor space. To ensure you do get the best out of your new garden building and to increase the longevity we advise that you follow the product instructions and our manufacturer's recommendations as detailed below. Thank you for choosing a Mercia Garden product!

## 1 Choosing the most suitable location for your garden building...

A minimum of 60cm should be left around the perimeter of your garden building to allow access for maintenance, annual treatment and to allow air flow around the building.

Where possible you should avoid placing your garden building underneath large trees to prevent the tree causing damage to the building.

## 2 Preparing the base for your garden building...

All our buildings must be built on a firm, level base to ensure the longevity of the building and prevent the wood from distorting. We recommend either concrete, concrete slabs or a wooden base, such as our 'Portabase'.

The base should be slightly smaller than the external measurement of the building, i.e. the cladding should overlap the base, creating a run off for water and preventing water from pooling underneath the building.

We also recommend that the floor of the garden building is a minimum of 25mm above the surrounding ground level to avoid flooding.

## 3 After installation...

Once your garden building has been installed, it will need to be treated within 14 days (weather permitting) and annually to prevent the timber from deteriorating and to waterproof it. This is required to maintain the anti-rot guarantee.

Dip Treated buildings - Require a preservative treatment to protect against rot and decay and a waterproof treatment to prevent water ingress.

Pressure Treated buildings - Require a waterproof treatment to prevent water ingress.

Log Cabins/Insulated Garden Rooms - Are supplied untreated and require a preservative and waterproofing treatment.

We also recommend using a silicon sealant on the inside and outside of the windows as soon as possible after assembly and treatment to fully seal the windows.

Roofing felt/covering should be checked annually and replaced or fixed accordingly.

## 4 General maintenance and wood characteristics

As wood is a natural material it may be affected by the following:

**Shrinkage and warping** - The timber used in the construction of your garden building will have retained some of its natural moisture content. The moisture content of the timber will vary, depending upon prevailing environmental conditions, which will result in the components either naturally expanding or contracting. As the components dry out, shrinkage may occur. A good waterproofing treatment from the start is the best protection to minimise the effect of moisture loss/intake.

In extended periods of very warm weather getting some moisture to the building will help the overall balance. You can do this by spraying it down lightly with a garden hose. In contrast, after snow fall try to remove the snow as best as possible from the roof to prevent moisture intake and to remove the extra weight.

Top tip - using a garden brush will help you to reach the highest part of the building to remove snow and any debris left from bad weather.

**Damp and mould** - During the winter months, cold and damp conditions can result in an increased amount of moisture within your garden building, especially when used infrequently. Condensation can form on the timber and other items stored within your garden building. If left this moisture is likely to cause mould and mildew.

To prevent the build-up of moisture, we recommend leaving the door or windows of your building open from time to time, to allow the fresh air to circulate. We also advise against storing wet or damp items in your garden building as this will also increase the level of moisture in the building. If mould or mildew does start to form within your building we recommend using an anti-mould cleaner to remove it and to prevent it spreading, which if left untreated could permanently damage your garden building.

**Splits, cracks and knots** - You may notice small splits and cracks in some components or holes may appear where knots shrink and fall out. This will not affect the structure of your Garden building however, if you wish to fill them this can be easily done using any good quality wood filler.

**Sap** - is naturally occurring in wood and may appear in some boards of your garden building. If you wish to remove the sap, we advise waiting until it is dry and then using a sharp knife to carefully remove it. If the removal of the sap causes a hole in the timber, we recommend using a good quality wood filler to fill it.

For more handy hints and tips on how to care and maintain your garden building please refer to the MGP Customer Portal at [www.mgplogistics.co.uk](http://www.mgplogistics.co.uk)

### Any further questions?

Contact our  
Customer Service Team via the MGP  
Customer Portal at:  
[www.mgplogistics.co.uk](http://www.mgplogistics.co.uk)

## 1

### Manufacturer's Warranty

All Mercia Garden Products are supplied with a 1 year warranty on all parts against manufacturing defects.

This warranty does not cover movement, warping or splitting of timber products over time.

This warranty will be voided if any of the following occur:

1. The building has been customised or modified/adapted in any way.
2. The person claiming is not the original purchaser of the building.
3. Any damage has been caused by or as a result of misuse.
4. The building has not been maintained and cared for in accordance to our advisories and manufacturer's recommendations.
5. The building has not been treated annually or as per the manufacturer's recommendations, please ensure receipts are kept to validate this claim.
6. The building has not been erected, fitted or installed as per the supplier instructions.
7. The building has not been erected on a suitable sized firm flat, solid level concrete/slab base or placed on pressure treated bearers.
8. The building is or has been placed with 2 feet (600mm) of any obstructions (walls, trees, plants, fences etc.) which can allow moisture to penetrate the timber.
9. The roofing felt has been incorrectly fitted or damaged, allowing water ingress, or has not been properly maintained.
10. Any windows and joints have not been sealed, inside and out, with silicone or other watertight sealant.
11. Any timber has been cut, pierced or drilled without subsequent application of approved cut-end treatment.

## 2

### Anti-rot Guarantee

Mercia Garden Products offer a 10 year anti-rot guarantee on all dip treated (a preparatory treatment) and 15 years on all pressure treated products. This guarantee covers solid timber against rot, decay, blue stain and insect attacks.

To validate the guarantee the building must be treated (as detailed within manufacturer's recommendations) within 14 days (weather permitting) of assembly and annually thereafter.

This guarantee does not cover movement, warping or splitting of timber products over time.

This guarantee will be voided if any of the following occur:

1. The building has been customised or modified/adapted in any way.
2. The person claiming is not the original purchaser of the building.
3. Any damage is caused by or as a result of misuse.
4. The building has not been maintained and cared for in accordance to our advisories and manufacturer's recommendations.
5. The building has not been treated annually or as per the manufacturer's recommendations, please ensure receipts are kept to validate this claim.
6. The building has not been erected, fitted or installed as per the supplier instructions.
7. The building has not been erected on a suitable sized firm flat, solid level concrete/slab base or placed on pressure treated bearers.
8. The building is or has been placed with 600mm of any obstructions (walls, trees, plants, fences etc.) which can allow moisture to penetrate the timber.
9. The roofing felt has been incorrectly fitted or damaged allowing water ingress, or has not been properly maintained.
10. Any windows and joints have not been sealed, inside and out, with silicone or other watertight sealant.
11. Any timber has been cut, pierced or drilled without subsequent application of approved cut-end treatment.



REGISTER FOR YOUR  
**ANTI-ROT**  
GUARANTEE TODAY

PLEASE SCAN HERE:

