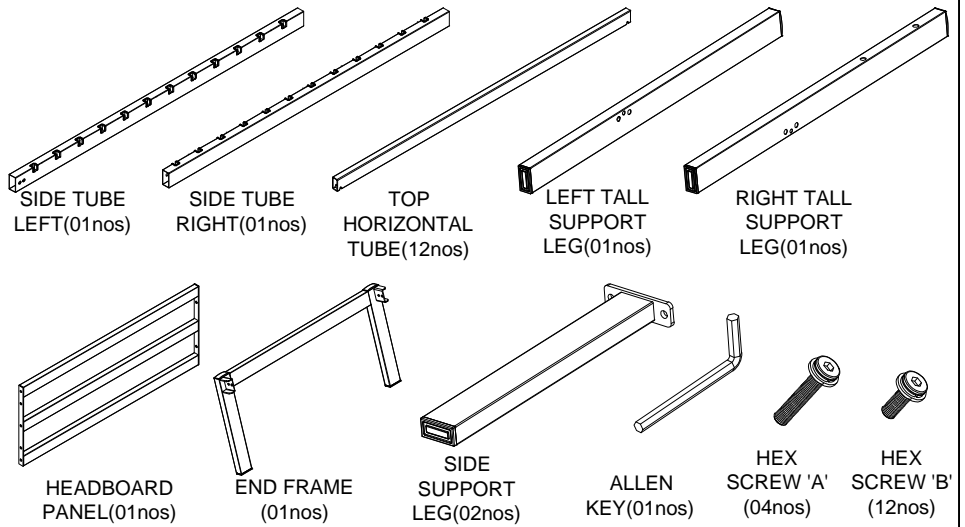
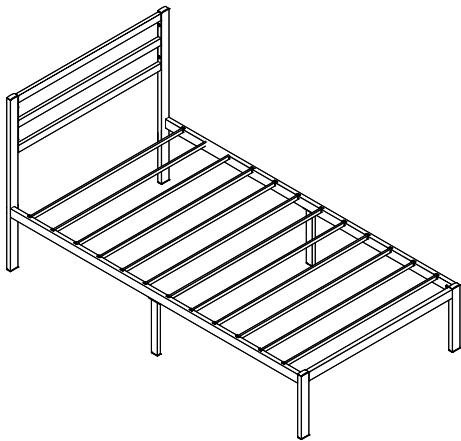
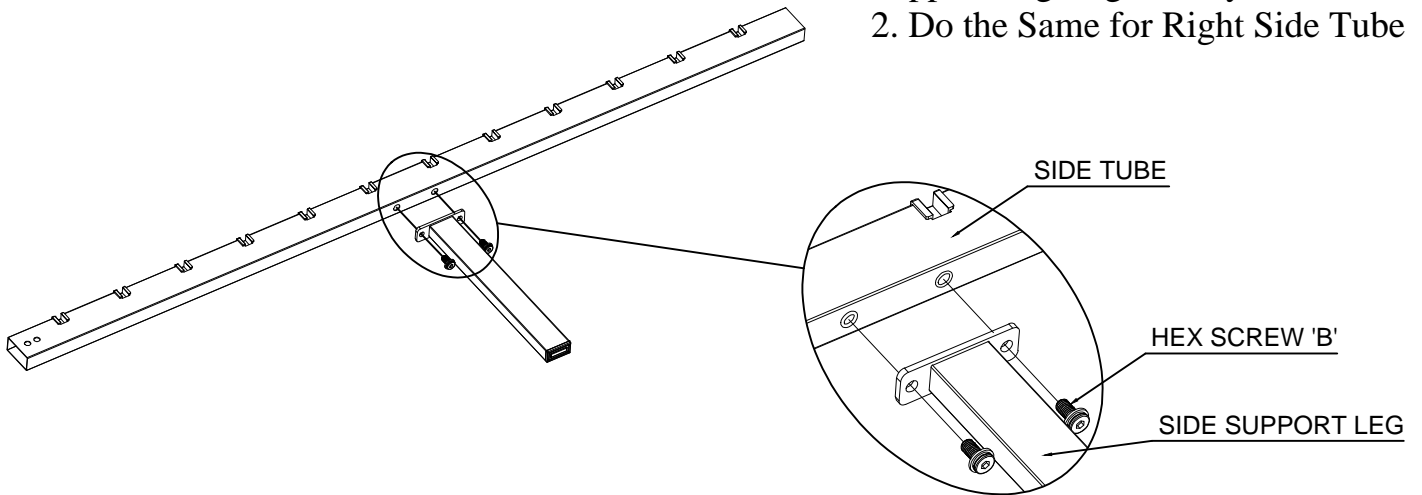


PARTS



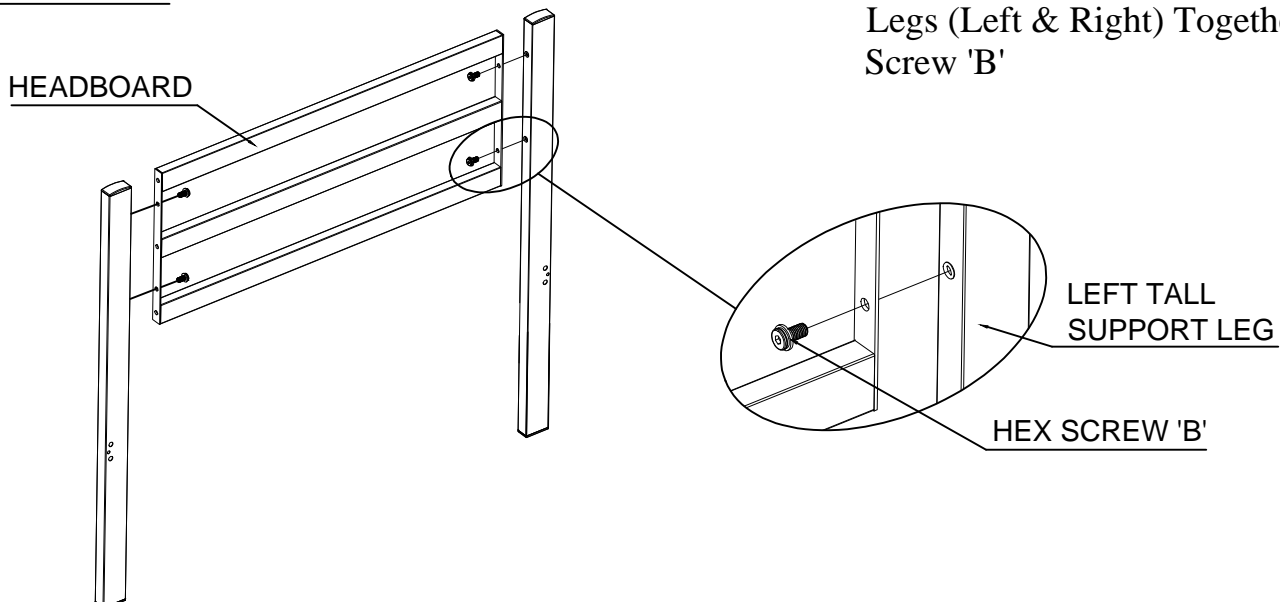
STEP 01

1. Fix the Left Side Tube With the Support Leg Together by Hex Screw 'B'
2. Do the Same for Right Side Tube



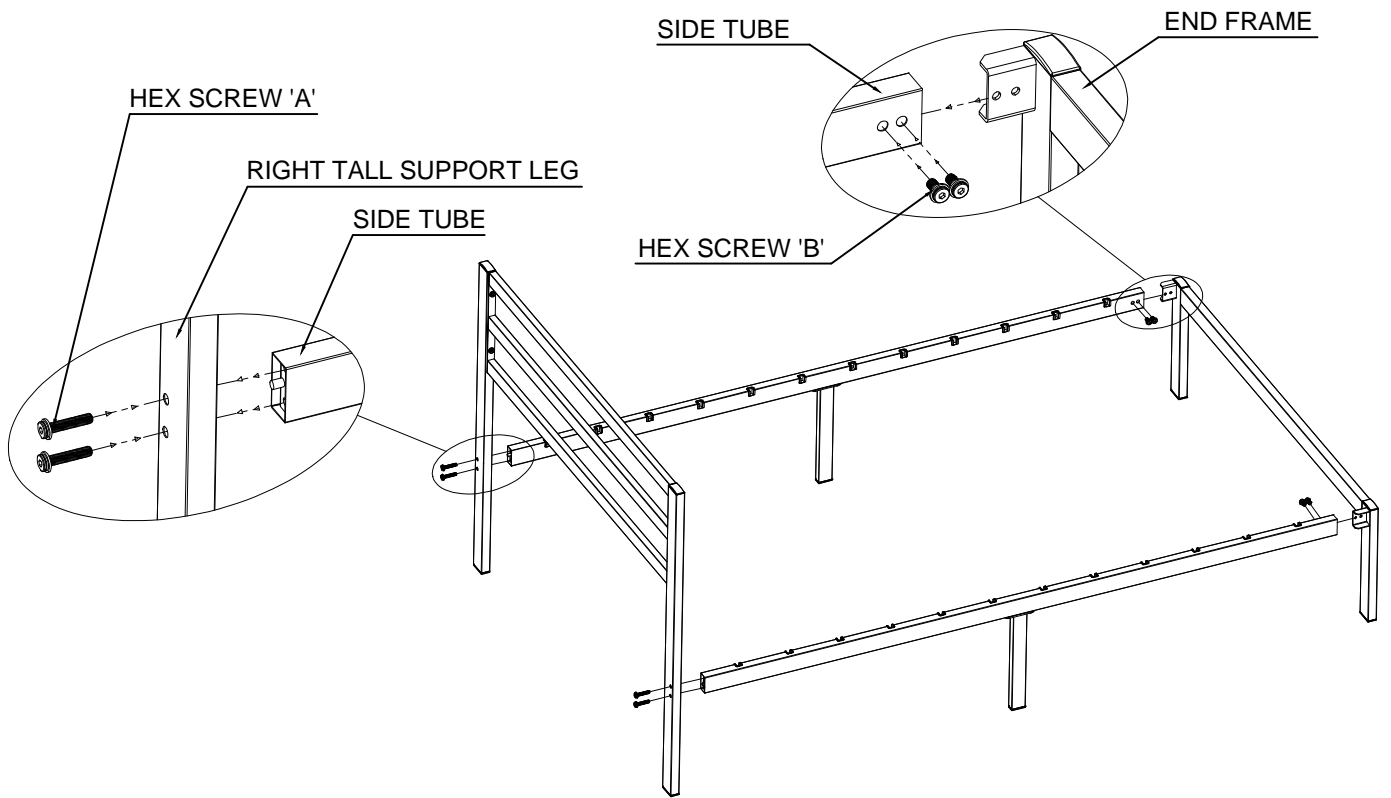
STEP 02

3. Fix the Headboard and 2 Tall Support Legs (Left & Right) Together by Hex Screw 'B'



STEP 03

4. Fix All Parts Together by Hex Screw as Shown in Figure.



STEP 04

5. Install All Horizontal Tubes to the Slots (Notches Should Match into the Slots)

