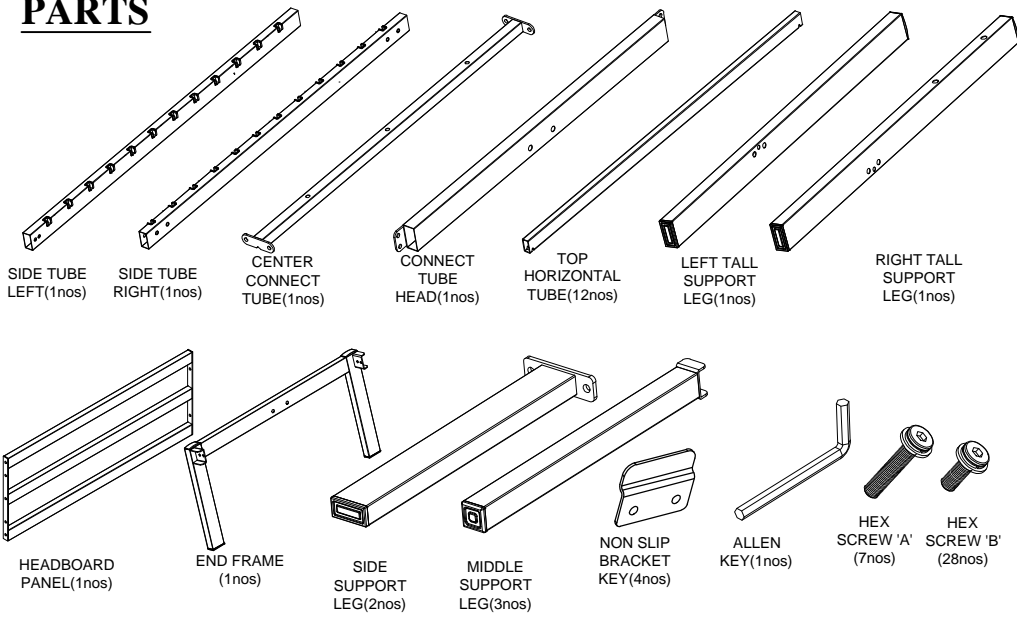
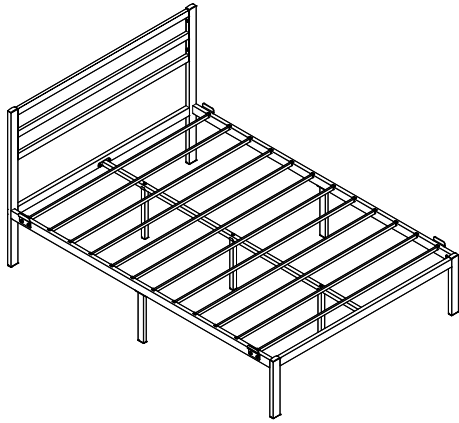
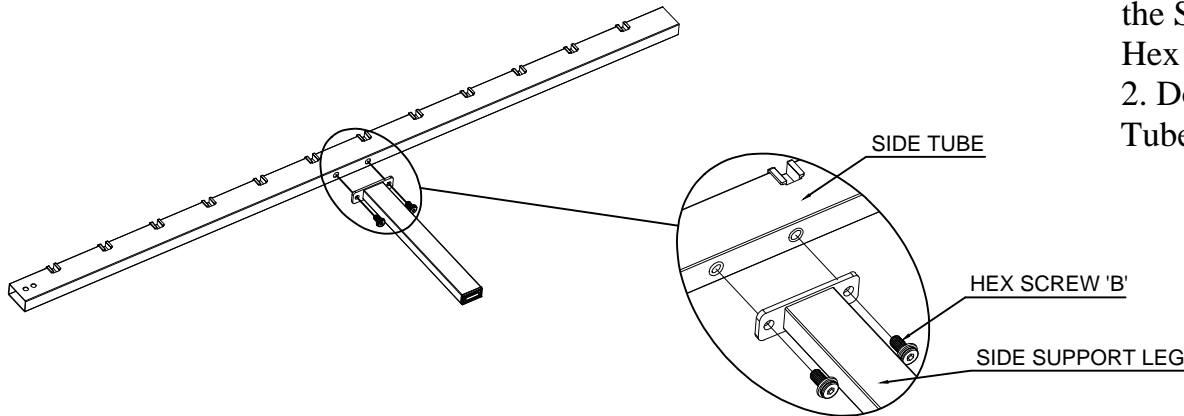


**PARTS**

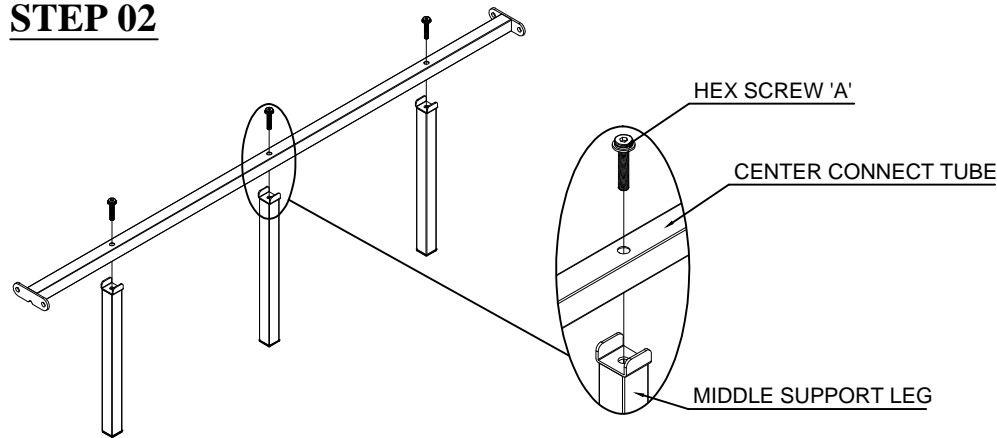


**STEP 01**



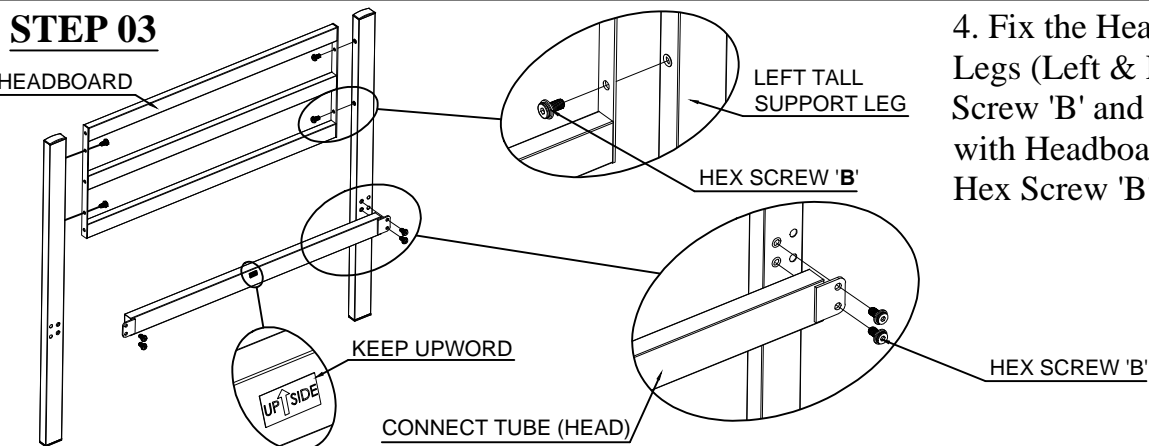
1. Fix the Left Side Tube With the Support Leg Together by Hex Screw 'B'
2. Do the Same for Right Side Tube

**STEP 02**



3. Fix the Middle Connect Tube With Middle Support Legs (03nos) by Hex Screw 'A'

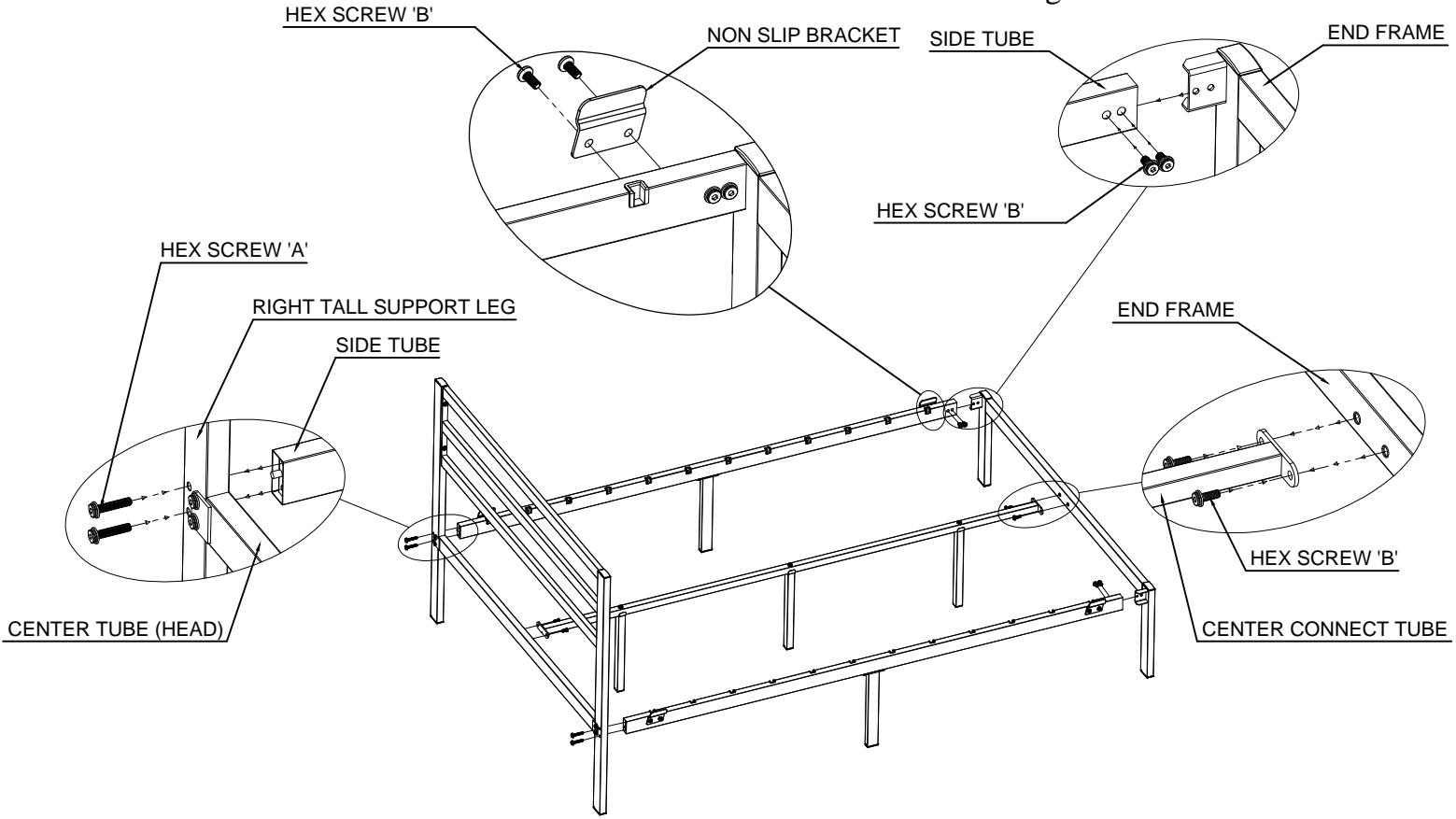
**STEP 03**



4. Fix the Headboard and 2 Tall Support Legs (Left & Right) Together by Hex Screw 'B' and Fix the Connect Tube(Head) with Headboard /Tall Support Legs by Hex Screw 'B'.

## STEP 04

5. Fix All Parts Together by Hex Screw as Shown in Figure.



## STEP 05

6. Install All Horizontal Tubes to the Slots (Notches Should Match into the Slots)

