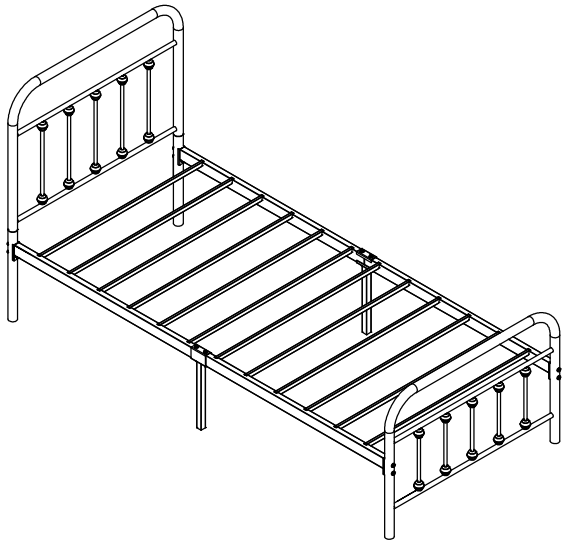
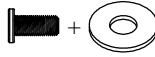

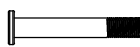




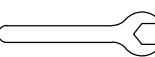
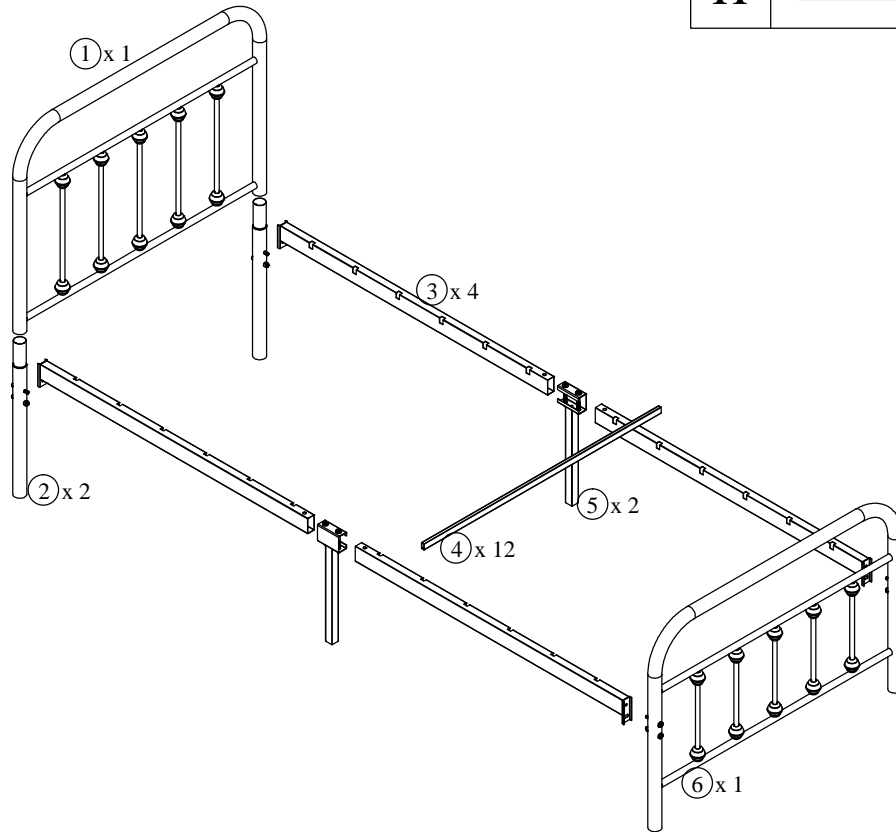


ASSEMBLY INSTRUCTIONS

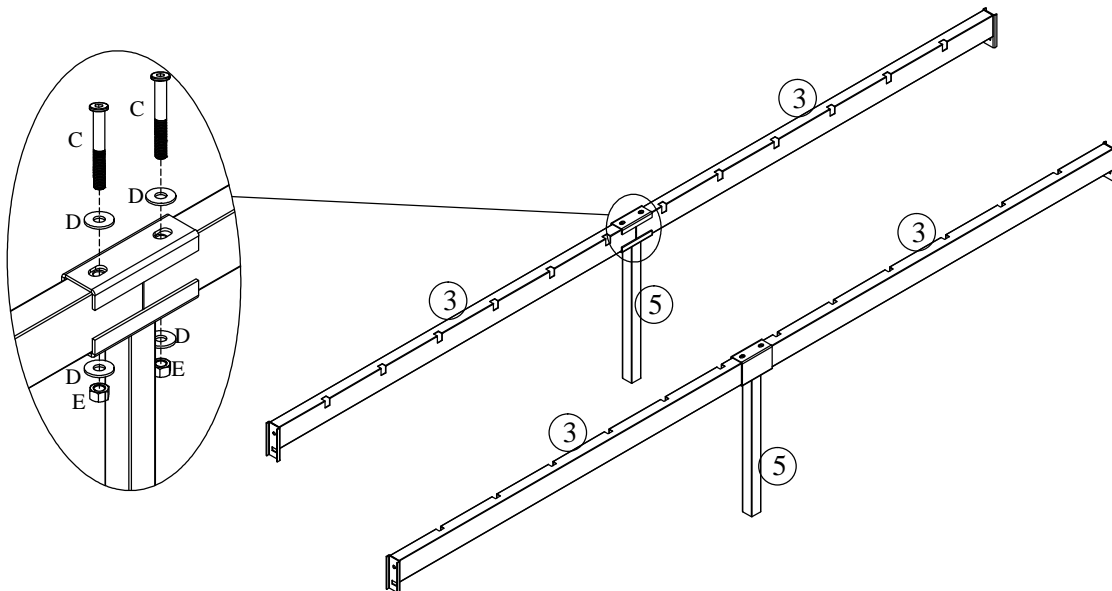
MODEL:- A-1451-TN, A-1451-TN XL



			QTY.
A	 M6x10 MM	4+4	
B	 M8x56 MM	8	
C	 M8x70 MM	4	
D		12	
E		8	
F	 5mm	2	
G	 4mm	2	
H		1	



Step 01

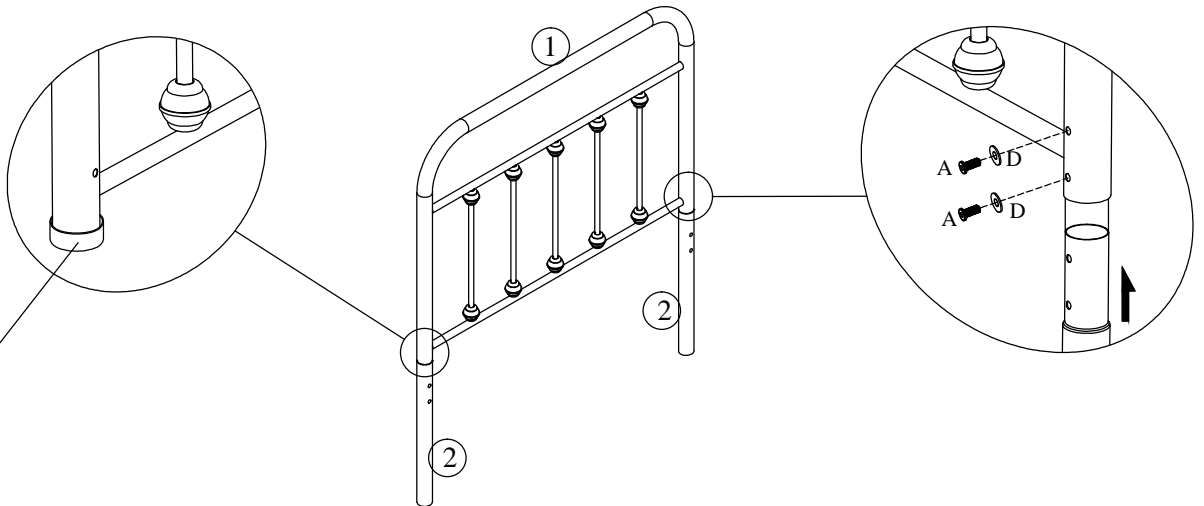


ASSEMBLY INSTRUCTIONS

MODEL:- A-1451-TN, A-1451-TN XL

Step 02

Remove
Protection Cap



Step 03

