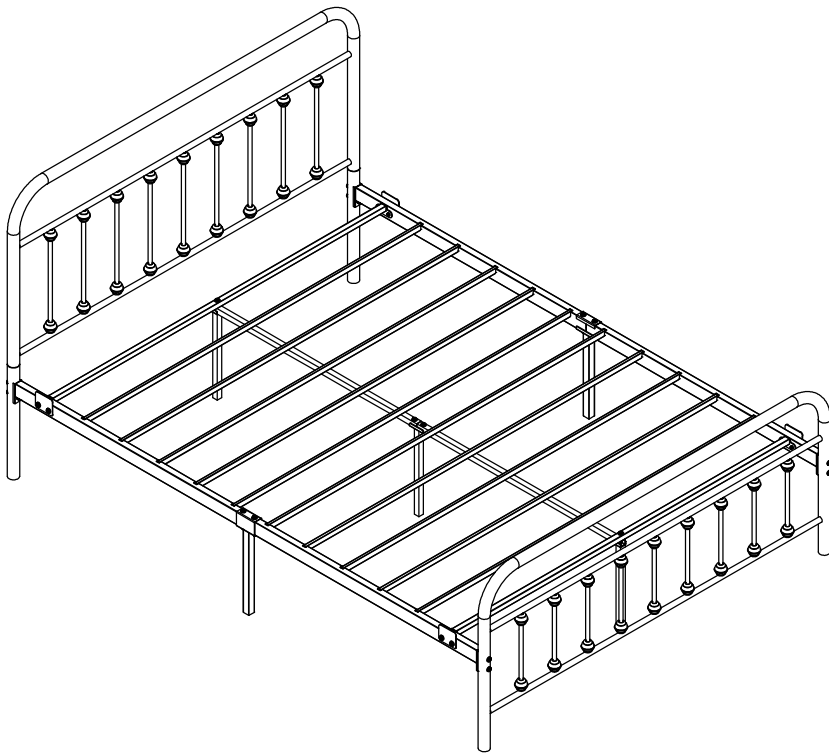
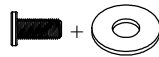

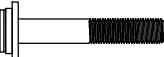






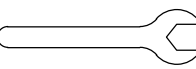
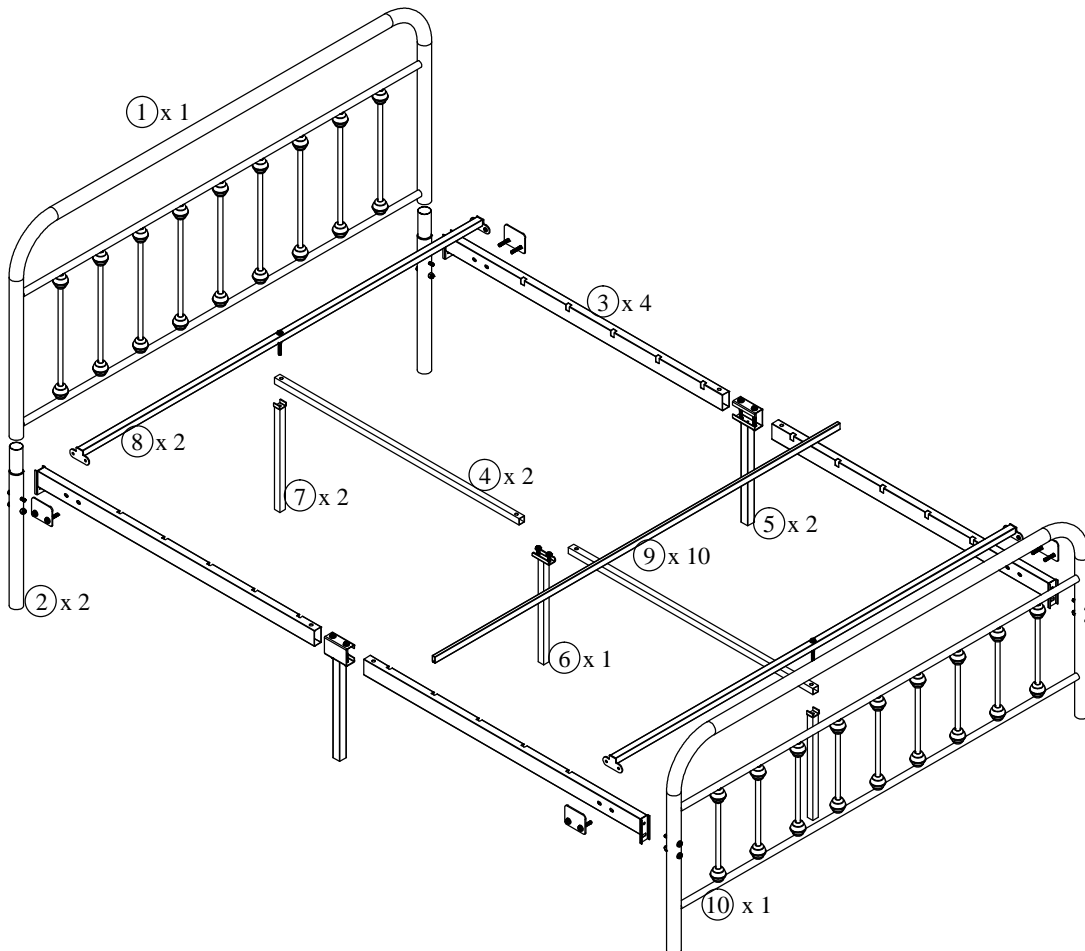


ASSEMBLY INSTRUCTIONS

MODEL:- A-1451-FL, A-1451-QN, A-1451-EK



			QTY.
A		10 MM	4+4
B		40 MM	10
C		56 MM	10
D		70 MM	4
E			15
F			8
G			4
H		5mm	2
I		4mm	2
J			1



ASSEMBLY INSTRUCTIONS

MODEL:- A-1451-FL, A-1451-QN, A-1451-EK

