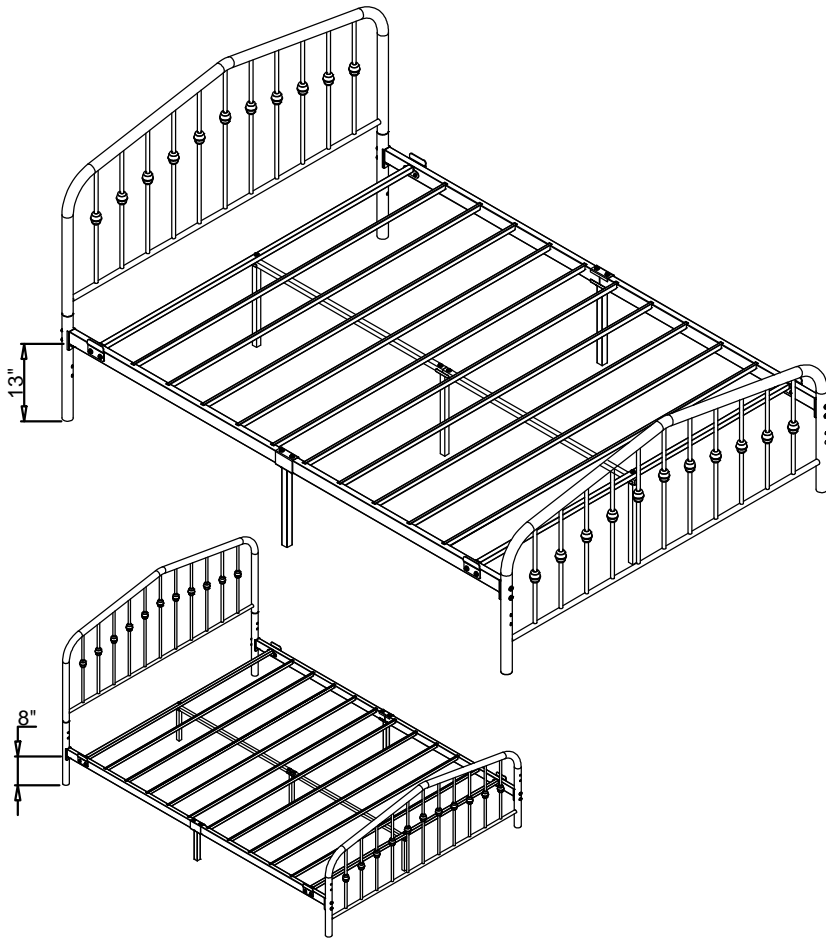
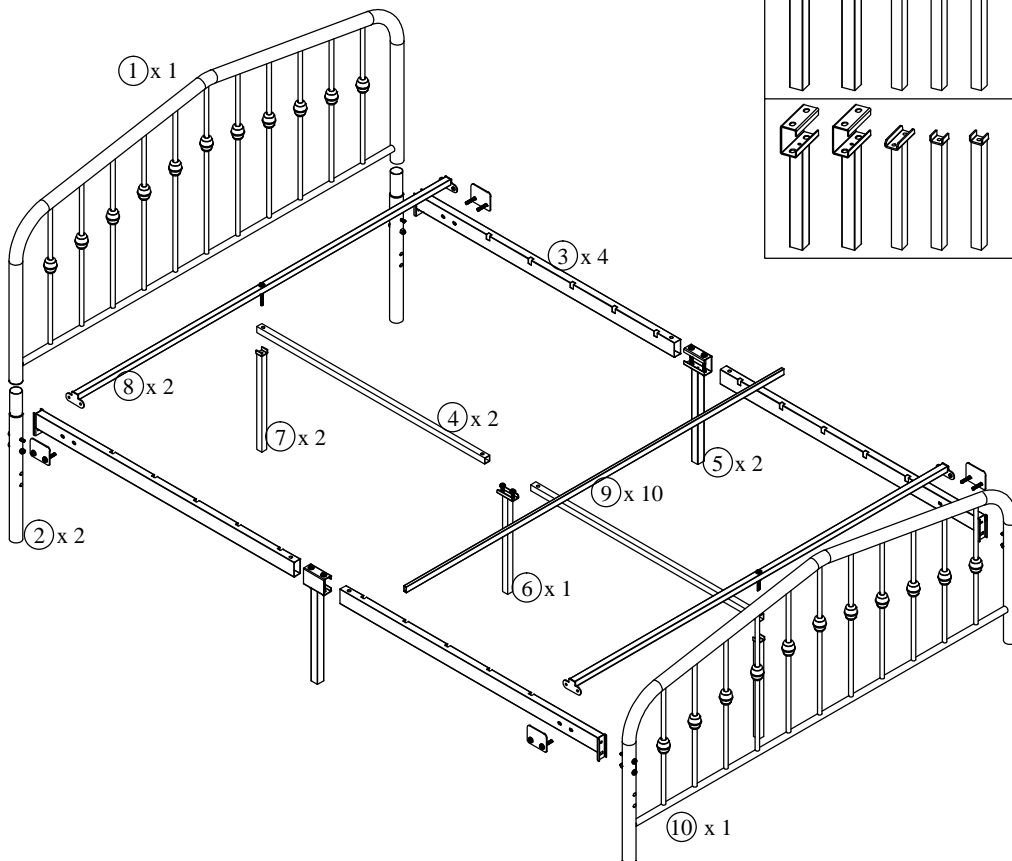


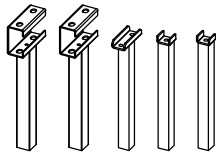
ASSEMBLY INSTRUCTIONS

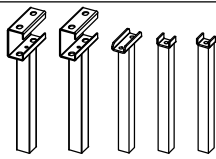
MODEL:- FULL, QUEEN & KING



			QTY.
A		10 MM	4+4
B		40 MM	10
C		56 MM	10
D		70 MM	4
E			15
F			8
G			4
H		5mm	2
I		4mm	1
J			1




 "A" Mark Legs for 8" Height Option


 "B" Mark Legs for 13" Height Option

ASSEMBLY INSTRUCTIONS

MODEL:- FULL, QUEEN & KING

