
The logo features a blue square with a white snowflake icon on the left, followed by the text "MAXX ICE" in a bold, blue, metallic-style font.

**MAXX ICE Marine Crescent
Ice Maker Instruction Manual**

Congratulations on your new MAXX ICE Marine Crescent Ice Maker. To ensure proper operation, please read this Instruction Manual carefully before using this product. Keep this manual in a safe place for future reference.

TABLE OF CONTENTS

- DISPOSAL 5**
- SAFETY 6**
- SAFETY PRECAUTIONS..... 6
- FEATURES AND SPECIFICATIONS..... 8**
- INSTALLATION INSTRUCTIONS..... 11**
- BUILT-IN INSTALLATION..... 12
- ELECTRICAL CONNECTION 14
- EXTENSION CORD 14
- WATER SUPPLY 15
- LEVELING THE ICE MAKER 15
- DOOR REVERSAL..... 15
- OPERATING INSTRUCTIONS 18**
- ICE MAKING INSTRUCTIONS 18
- NORMAL SOUNDS..... 19
- POWER FAILURE..... 19
- FLANGE KIT INSTALLATION 20**
- INSTALLATION 21
- CARE AND MAINTENANCE 22**
- CLEANING AND MAINTENANCE..... 22
 - Exterior Cleaning..... 22
 - Interior Cleaning..... 23
 - Winterizing 23

TABLE OF CONTENTS



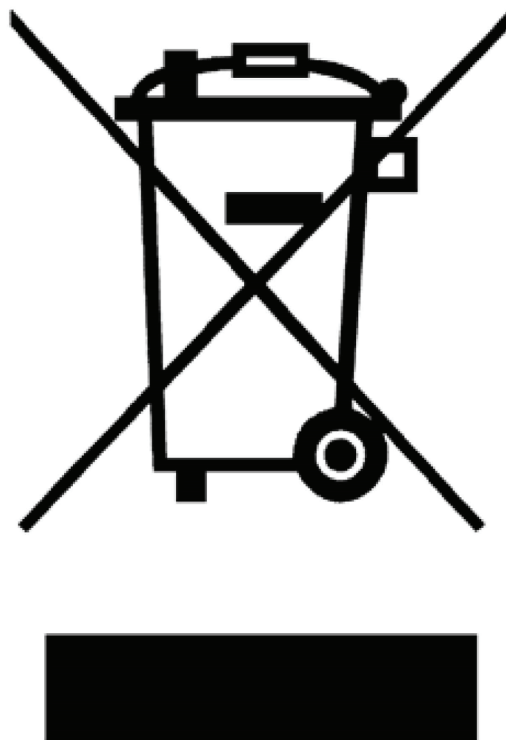
Recommissioning.....	23
Start-up	23
Condenser Cleaning	24
TROUBLESHOOTING	25
PARTS INFORMATION	27
EXPLODED VIEW.....	27
PARTS LIST	28
WARRANTY.....	29

1

DISPOSAL INFORMATION

Thank you for choosing the MAXX ICE Marine 14" Crescent Ice Maker. Always follow the instructions provided in this manual to obtain the very best performance from your ice maker. We trust that your MAXX ICE Marine Crescent Ice Maker will provide the performance and reliability that we stand for.

Always keep this manual in a safe place for future reference.



This symbol on the product or its packaging indicates that this appliance cannot be treated as normal domestic trash; it must be handed in at a collection point for recycling electric and electronic appliances. Your contribution to the correct disposal of this product protects the environment.

Further information about the recycling of this product can be obtained from your local municipal authority.

2 | SAFETY

Do not attempt to install or operate the unit until you have read and understood the safety precautions in this manual. Safety Precautions throughout this manual are labeled.



This safety alert symbol appears with most safety statements. It means attention, become alert, your safety is involved! Please read and abide by the statement that follows the safety alert symbol.

WARNING

Indicates a hazardous situation that, if not avoided, could result in death or serious injury.

NOTICE

Indicates a situation which can cause damage to the components and/or the environment, or cause the equipment to operate improperly.

SAFETY PRECAUTIONS

- Do not connect or disconnect the electric plug when your hands are wet.
- Never unplug the ice maker by pulling on the power cord. Always grip the plug firmly and pull straight out from the outlet.
- Never clean ice maker parts with flammable fluids. Do not store or use gasoline or other flammable vapors and liquids in the vicinity of this or any other appliances. The fumes can create a fire hazard or explosion.
- Before proceeding with cleaning and maintenance operations, make sure the power line of the unit is disconnected and the water line is shut off.
- Never allow children to operate, play with or crawl inside the ice maker.
- Do not touch the evaporator with your hand when the machine is operating.
- Unplug the ice maker or disconnect power before cleaning or servicing. Failure to do so can result in electrical shock or death.
- Do not attempt to repair or replace any part of your ice maker unless it is specifically recommended in this manual. All other servicing should be referred to a qualified technician.

- This appliance can be used by children from ages 8 years and above and by persons with reduced physical, sensory or mental capabilities or lack of experience and knowledge if they have been given supervision or instruction concerning use of the appliance in a safe way and they understand the hazards involved. Children shall not play with the appliance.
- Use two or more people to move and install the ice maker. Failure to do so can result in back or other injury.
- To ensure proper ventilation for your ice maker, the front of the unit must be completely unobstructed.
- This ice maker is designed for non-commercial use only.
- Although the unit has been tested and cleaned at the factory, due to long-term transit and storage, the first batch of cubes must be discarded.
- Remove the packing materials and clean the ice maker before using.
- Turn on the water supply tap before switching on the ice maker. Never turn the water supply tap off when the ice maker is working.
- Keep the door closed in order to reduce ice melting and to promote proper ice formation. Open the door only when taking ice from the unit.
- If the ice maker will not be used for a long time, thoroughly clean it before the next use. Carefully follow any instructions provided for cleaning or the use of sanitizing solution. Do not leave any solution inside the ice maker after cleaning.
- Do not touch the condenser surfaces. They are sharp and can be easily damaged.
- Do not use solvent-based cleaning agents or abrasives on the interior. These cleaners may transmit taste to the ice cubes, or damage or discolor the interior.
- Do not use the apparatus other than for its intended purpose.
- Cleaning and user maintenance shall not be done by children without supervision.

THE MANUFACTURER DISCLAIMS ANY RESPONSIBILITY IF THE ABOVE INSTRUCTIONS ARE NOT FOLLOWED.

3

FEATURES AND SPECIFICATIONS

GENERAL FEATURES						
Model	MMAR25S	MMAR25W	MMAR25B	MMAR25S[E0]	MMAR25W[E0]	MMAR25B[E0]
Power	115V/60Hz			220V/50Hz		
UL/cUL Approval	UL			NA		
CE Certificate	NA			CE		
Cabinet Insulation	NON CFC polyurethane foam with agent Cyclopentane					
Ice Production Capacity	up to 25 lbs./24 hrs.					
Ice Storage Capacity	up to 12 lbs. removable and dishwasher safe ice bucket					
Ice Shape	Crescent Shaped Cube					
Ice Size (Inches (mm))	1/2" x 3/4" x 2-1/2" (12 x 20 x 60)					
Ice Weight (g)	10					
Ice Quantity per Cycle	12					
Ice Making/ Harvesting Rated Current (amp)	1.8/1.5			1.0/0.75		
Power Consumption (kWh/lb of ice)	<25 kWh/100 lb					
Water Consumption	Use less than 3 gallons of water for approximately 25 lbs. of ice					
Defrost Type	Manual					
Controls	Mechanical Thermostat monitors ice-making operation to ensure the maximum daily ice production. Compressor is OFF during ice harvest. Fast ice-making and energy saving.					
Power On/off Switch	In the front of unit					
Auto Shut-off When Ice Bin is Full	Yes					
Cycles	On/Off					
High/Low Side Pressure (PSIG)	380/130 (2.6 MPa/0.9 MPa)					
Refrigerant	R134A, 2.65 oz. (75g)					
Compressor	1/6 HP					
Exposed Screws	All color matched to cabinet or liner, depending on location					

INSTALLATION						
Power Port and Plug	6' fixed power port with USA Plug Type NEMA5-15		6' portable power port with EU/AU/CN/GB/IN 4 types of plug for multiple application			
Volt Range	104~127V		187~242V			
Maximum Amp Fuse	15 amps		10 amps			
Ambient Operating Range (F)	50°F~100°F (10°C~38°C) Class T					
Water Pressure Operating Range (PSI)	20~120 (0.14 MPa~0.83 MPa)					
Marine design	Yes					
Built-in Capable	Flush mounted, Built-in, Free-standing or Counter Top					
Cut-Out Dimensions for Flush to Cabinet (W x H x D)	14-1/4" x 24-5/8" x 16-1/2" (362 x 626 x 420)					
Cut-Out Dimensions for Flush to Door (W x H x D)	15-1/8" x 24-5/8" x 18-3/8" (384 x 626 x 466)					
Net Weight (lbs (Kg))	51 lbs. (23 kg)					
Air Ventilation	All ventilation from front, limited vent in the back of unit. No additional clearance required around the sides.					
Removable Ice Bucket	Yes					
Adjustable Leveling Feet	Rubber feet reducing vibration noise					
Drain	No Drain required. Easy and inexpensive for installation.					
Water Supply Inlet Thread (for Pipe Fitting)	UNS 7/16					
Water Supply Inlet Location	Lower Right from Rear (looking from rear, power cord on lower left of rear)					
CABINET EXTERIOR						
Exterior Cabinet Color	Brushed Stainless Steel	Matte White	Matte Black	Brushed Stainless Steel	Matte White	Matte Black
Grille Color	Brushed Stainless Steel	Matte White	Matte Black	Brushed Stainless Steel	Matte White	Matte Black
Door Color	Brushed Stainless Steel	Matte White	Matte Black	Brushed Stainless Steel	Matte White	Matte Black
Door Style	Swing door, Right Hand. Field Reversible					

FEATURES AND SPECIFICATIONS



CABINET EXTERIOR				
Door Closing Assistant	Plastic door closing assistant design. Positive catch door latch engages automatically when door is shut and releases when the handle is pulled. It makes the unit hygienic and safe during sea travel and storage. Leave the door open to allow the air to dry the inside of the unit when it is powered off.			
Handle	Brushed Stainless Steel			
Hinge	Brushed Stainless Steel			
CABINET INTERIOR				
Interior Parts Color	White			
Interior Light	N/A			
Cabinet Liner Color	White Prepainted Aluminum. The evaporator tube is covered by the liner avoiding damage.			
Door Liner Color	White Plastics			
Door Gasket	Magnetic and Replaceable with color gray	Magnetic and Replaceable with color black	Magnetic and Replaceable with color gray	Magnetic and Replaceable with color black
DIMENSIONS – EXTERIOR				
Max. Width (Inches (mm))	14" (356)			
Max. Depth (Inches) Including Handle	17-7/16" (443)			
Depth Including Door, Excluding Handle (inches (mm))	16-3/8" (415)			
Depth of the Cabinet Only (Inches (mm))	14-1/2" (368)			
Height Including Rubber Feet (Inches (mm))	24-1/2"~25" (622~635)			
Height Excluding Feet (Inches (mm))	24" (611)			
ACCESSORIES OR OPTIONS				
Flange Trim (Optional)	Flange Kit for flush to door or flush to cabinet. Color match to the cabinet			

4

INSTALLATION INSTRUCTIONS

IMPORTANT:

- This ice maker should be installed by a licensed plumber only.
- The ice maker must be installed with all electrical and water connections in accordance with state and local codes.
- A standard electrical supply properly grounded in accordance with National Electrical Code and local codes and ordinances is required.
- The fuse (or circuit breaker) size should be 15 amperes for 110V and 10 amperes for 220V.
- It is recommended that a separate circuit, servicing only for your ice maker, be provided. Use receptacles that cannot be turned off by a switch or pull chain.
- This unit **MUST** be installed in an area protected from the elements (for example, wind, rain, water spray or drips). Do **NOT** use the ice maker in outdoor settings.
- The ambient operational temperature should be between 50°F (10°C) and 100°F (38°C). The input water temperature should be between 41°F (5°C) and 90°F (32°C). Operation outside these temperatures may result in lowered production or other adverse effects.
- Too much humidity in the air will cause frost to form quickly on the evaporator, requiring more frequent de-frosting of the ice maker.
- The ice maker should not be located next to ovens, grills or other high-heat resources.
- The unit should be located on a hard, level surface that can support the unit when it is full. It is important for the ice maker to be level in order to work properly. Otherwise water may not flow properly through the evaporator (ice mold). The ice production will be less than normal. You may need to make several adjustments to level it. If needed, you can adjust the height of the ice maker by turning the feet. See “Leveling the Ice Maker” on page 15.
- To ensure proper service access and ventilation, allow at least 2” (50 mm) clearance at rear, and 1/4” (6 mm) at top and sides. The installation should allow the ice maker to be pulled forward for servicing if necessary.
- When installing the ice maker under a counter, follow the recommended spacing dimensions shown. Place electrical and water supplies and drain fixtures in the recommended locations.
- The ice maker requires a continuous water supply with a minimum pressure of 15 psi (0.1 MPa) and a static pressure not to exceed 80 psi (0.5 MPa).

INSTALLATION INSTRUCTIONS



- It is always a good idea to filter the water. A water filter can remove taste and odors as well as particles. Where water is very hard, softened water may result in white, mushy cubes that stick together. Deionized water is not recommended.
- Make certain that the water supply hose is not pinched, kinked or damaged during installation.
- Check for leaks after the water line is connected.
- Do not kink, pinch or damage the power supply cord between the ice maker and wall or cabinet.
- Before connecting the ice maker to the power source, let it stand upright for approximately 4 hours. This will reduce the possibility of a malfunction in the cooling system from handling during transportation.

BUILT-IN INSTALLATION

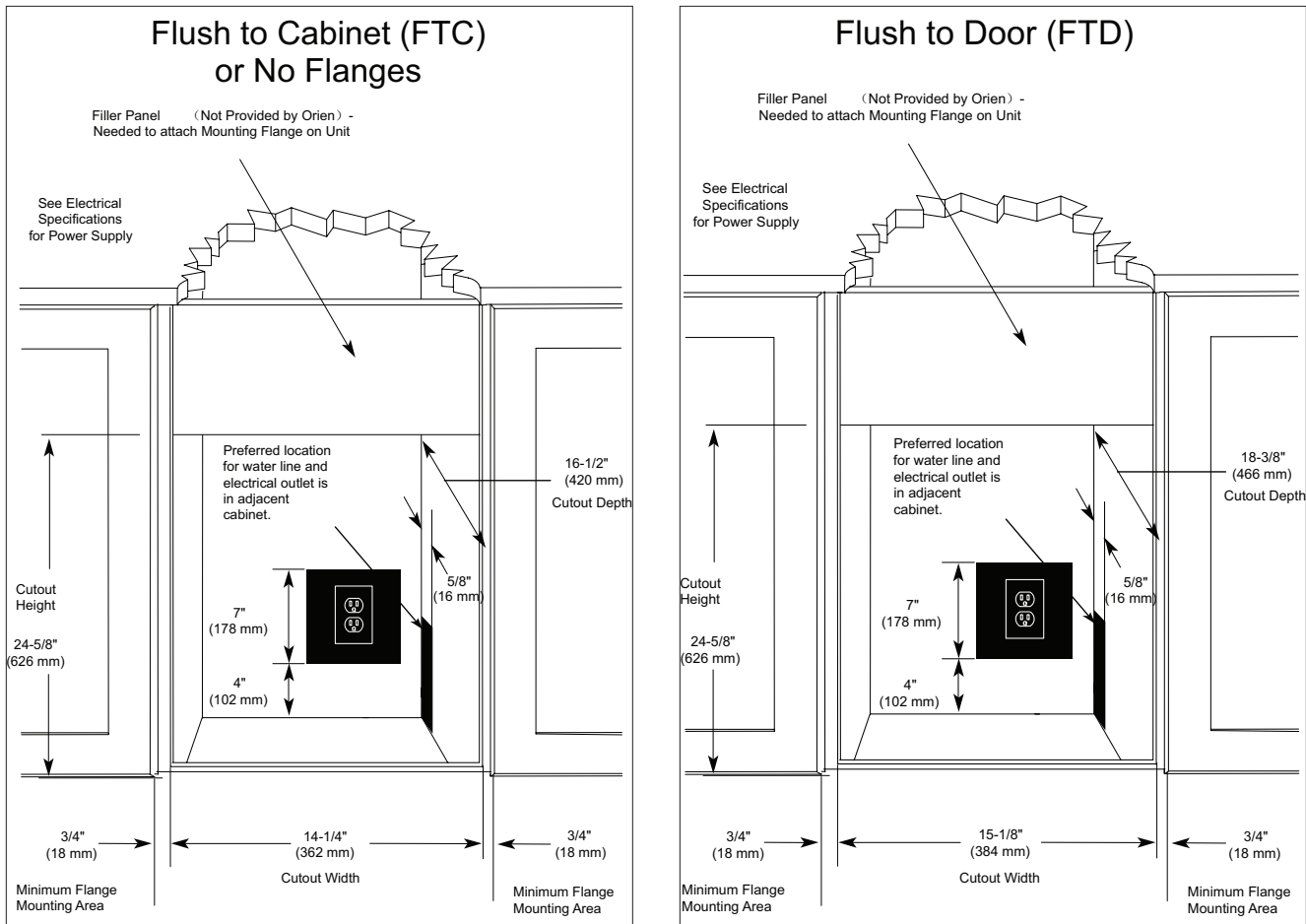
WARNING

DO NOT install in spaces containing gasoline engines, fuel tanks or fuel line fittings. This device does not meet federal requirement for ignition protection. Failure to comply could result in injury or death.

A built-in installation will allow you to install the ice maker under a counter or in a kitchen cabinet provided the required clearance space around the ice maker is respected.

Location requirements:

Required Cabinet Opening :	14-1/4"(362 mm) W x 24-5/8" (626 mm) H	(FLUSH TO CABINET)
	15-1/8"(384 mm) W x 24-5/8" (626 mm) H	(FLUSH TO DOOR)



A built-in installation requires 2" (5 cm) or more behind the unit for water line and plug clearance for proper operation. Built-in units are designed for zero clearance at the top and each side of the unit. Fan-forced condenser cooling is used. This requires air circulation through the lower section of the unit.

NOTICE

- *If rubber feet are removed from the bottom of the unit, the mounting screws must be reinstalled into the bottom of the cabinet to avoid damage to components mounted to the base pan.*
- *The air path for exhaust and fresh air intake must be unrestricted! Recirculation between fresh air intake and exhaust air must be prevented.*
- *Any restriction of airflow or ventilation will disrupt normal operation of the unit, resulting in damage components, and voids warranty.*
- *Connect to potable water supply only.*

ELECTRICAL CONNECTION

Do not, under any circumstances, cut or remove the third (ground) prong from the power cord.

For personal safety, this appliance must be properly grounded. The power cord of this appliance is equipped with a 3-prong grounding plug that mates with a standard 3-prong grounding wall outlet to minimize the possibility of electric shock hazard from the appliance. Have the wall outlet and circuit checked by a qualified electrician to make sure the outlet is properly grounded. When a standard 2-prong wall outlet is encountered, it is your responsibility and obligation to have it replaced with a properly grounded 3-prong wall outlet.

The ice maker should always be plugged into its own individual electrical outlet. The outlet must have a voltage rating that matches the rating label on the appliance. This provides the best performance and also prevents overloading boat wiring circuits, which could cause a fire hazard from overheated wires. Never unplug your ice maker by pulling on the power cord. Always grip the plug firmly and pull straight out from the outlet. Repair or replace immediately all power cords that have become frayed or otherwise damaged. Do not use a cord that shows cracks or abrasion damage along its length or at either end. When moving the ice maker, be careful not to damage the power cord.

If the supply cord is damaged, it must be replaced by the manufacturer, its service agent, or similarly qualified persons in order to avoid a hazard.

The 110V model has a fixed power cord with NEMA 5-15P power plug. The 220V model has a detachable power cord and has 4 options for a power plug.

DESCRIPTION
Power Cord 220 - 240V Great Britain/Ireland
Power Cord 220 - 240V Australia/New Zealand/China
Power Cord 220 - 240V Continental Europe
Power Cord 220 - 240V India

EXTENSION CORD

Because of potential safety hazards under certain conditions, it is strongly recommended that you do not use an extension cord with this ice maker.

THE MANUFACTURER DISCLAIMS ANY RESPONSIBILITY IF THE ABOVE INSTRUCTIONS ARE NOT FOLLOWED.

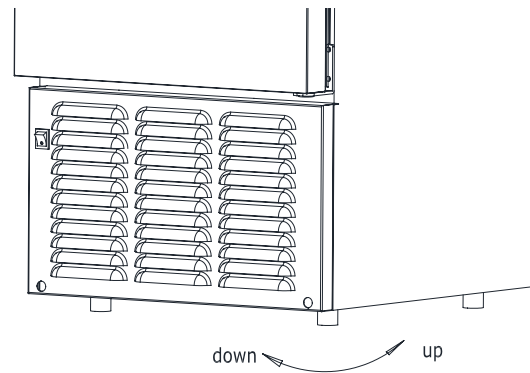
WATER SUPPLY

1. Turn off the main water supply. Turn on the nearest faucet long enough to clear a line of water.
2. Find a 1/2" to 3/4" vertical cold water pipe near the installation location. The distance should be less than 9 feet.
3. A shut-off valve must be installed to the main water supply. If the water pipe has a plain piece of copper tubing, attach a 1/4" O.D. compression union to the tubing and remove the nut.
4. Thread the nuts of the supplied water supply hose to the tap and water inlet valve. Tighten firmly by hand, then one-half turn with a wrench.
5. Turn on the main water supply and tap. Check for water supply connection leaks. Tighten all connections.

LEVELING THE ICE MAKER

The ice maker must be leveled in order to work properly. It can be raised or lowered by turning the four feet on the bottom of the machine. We recommend using a carpenter's level to check the machine.

1. Place a carpenter's level on top of the product to see if the ice maker is level from front to back and side to side.
2. Adjust the height of the feet as follows:
 - Turn the leveling feet to the right to lower that side of the ice maker.
 - Turn the leveling feet to the left to raise that side of the ice maker.



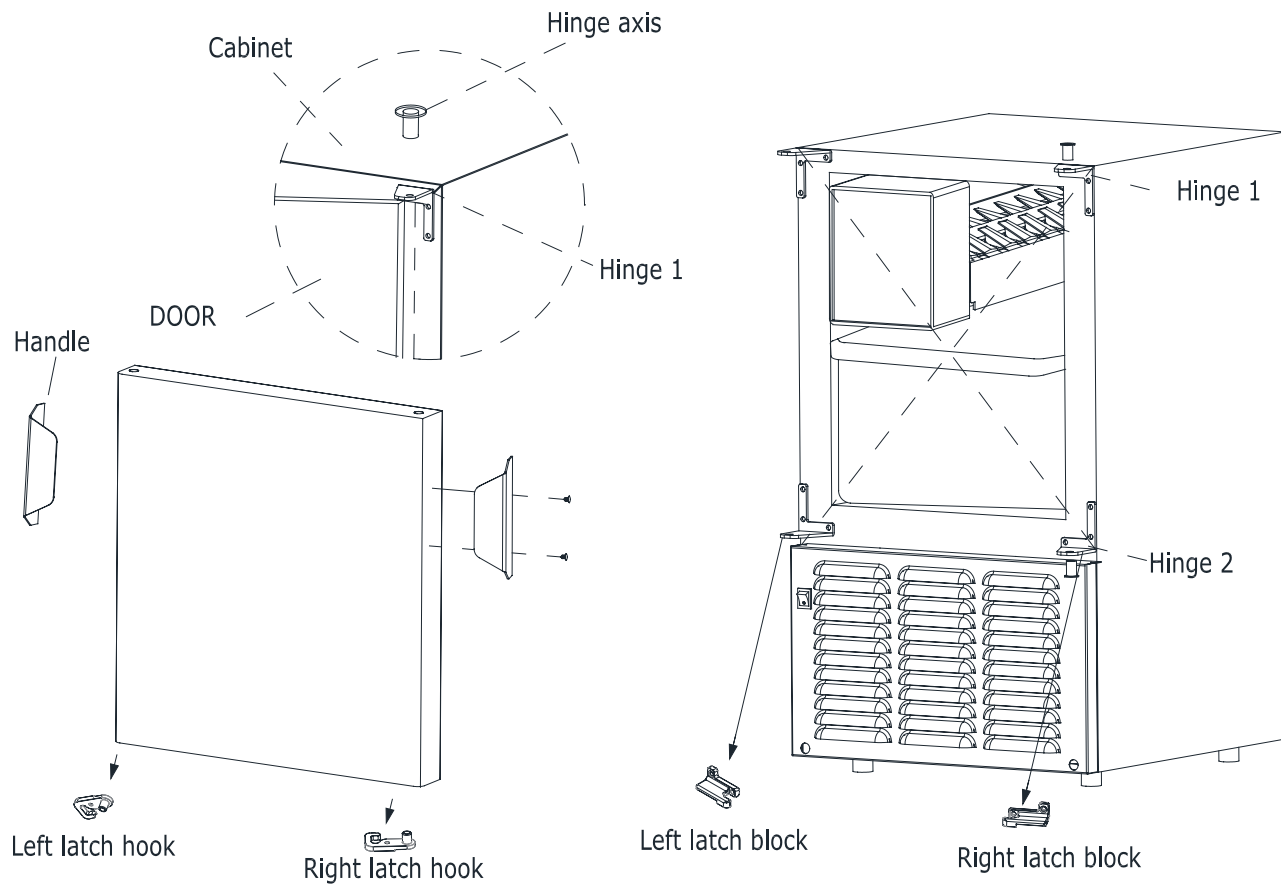
DOOR REVERSAL

This appliance has the capability of the door opening from either the left or right side. The appliance is delivered to you with the door opening from the left side. Should you desire to reverse the opening direction, please follow the following reversal instructions.

Tools needed: Flathead screwdriver, Phillips screwdriver.

IMPORTANT: Before you begin, unplug the ice maker or disconnect power.

INSTALLATION INSTRUCTIONS



To remove the door from the hinges:

1. Using a flathead screwdriver, separate the hinge axis from Hinge 1. Set aside.
2. Open the door about 20 degrees around the axis of Bottom Hinge 2, then lift the door off Bottom Hinge 2.
3. Remove the right latch hook located in the right bottom of the door and the plastic cap located in the left bottom of the door.
4. Install the left latch hook (in the accessory bag) to the left bottom of the door where the plastic cap was placed and put the plastic cap on the other side.

To replace the door on the hinges:

1. Using a flathead screwdriver, remove the plug buttons from the screw holes opposite the door hinges, top, and bottom. Set aside.
2. Replace the axis on the Hinge 1 and tighten it firmly. Remove Hinge 1 and install it with the left latch block (in the accessory bag) on the opposite bottom side.
3. Remove Hinge 2 and take down the right latch block. Place Hinge 2 on the opposite top side. Separate the axis from Hinge 2 and set it aside.
4. Align the door on Bottom Hinge 1 and replace the axis on Hinge 2. Tighten it firmly. Place the handle on the other side.
5. Push the plug buttons into the original screw holes.
6. Swap the door handle.

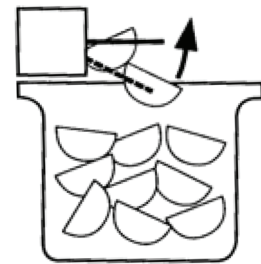
5

OPERATING INSTRUCTIONS

ICE MAKING INSTRUCTIONS

1. Turn the unit on by pressing the Power button.
2. Water will be pumped from the water valve to the ice maker tray for freezing. The first cubes may be small because of air in the water line. Later cubes will be of standard crescent-type size.
3. Once the freezing process is complete, the ice shovel will turn and push the ice cubes down to the ice basket.

- **NOTE:** Although the unit has been tested and cleaned at the factory, due to long-term transit and storage, discard all ice cubes made during the first 3 hours of operation.
- When the ice bucket is full, the ice maker tray will automatically shut off. When ice cubes are melted or removed, the ice maker will resume its operation.
- Ice delivery may be interrupted by raising the metal arm into an upright position.
- If the ice maker is not used regularly, it is recommended that the ice bucket be emptied periodically to ensure ice freshness.
- Sometimes the ice cubes may appear cloudy. This appearance is due to the rapid freezing of the ice cube. This cloudiness is trapped air in the water and does not affect the taste and quality of the ice.
- The air intake and exhaust should be kept free of dust and lint to allow free airflow.
- This unit should be defrosted approximately every 4-6 weeks or when frost on the ice maker wall is excessive or 1/4" thick. To defrost, turn the unit off, remove the ice cubes, and keep the ice maker door open at least two inches.
- Do not place cans or bottles in the ice compartment because they will freeze.
- Never turn the water supply tap off when the ice maker is working.
- Never touch the evaporator when the unit is running.
- Keep the ice maker door closed to reduce melting and to ensure proper ice formation.



NORMAL SOUNDS

Your new ice maker may make sounds that are not familiar to you. Hard surfaces like the floor and walls can make the sounds seem louder than they actually are. The following describes the kinds of sounds that might be new to you and what may be making them.

- Rattling noises may come from the flow of the refrigerant or the water line. Items stored on top of the ice maker can also make noises.
- The high-efficiency compressor may make a pulsating or high-pitched sound.
- Water running from the evaporator to the water reservoir may make a splashing sound.
- As each cycle ends, you may hear a gurgling sound due to the refrigerant flowing in your ice maker.
- You may hear air being forced over the condenser by the condenser fan.
- During the harvest cycle, you may hear the sound of ice cubes falling into the ice basket.

POWER FAILURE

Most power failures are corrected within a few hours and should not affect the temperature of your ice maker if you minimize the number of times the ice maker cover is opened. If the power is going to be off for a longer period of time, take the proper steps to disconnect your appliance.

WARNING

Failure to unplug the ice maker could result in electrical shock or personal injury.

6

FLANGE KIT INSTALLATION

The flange kits are optional accessories and are sold separately.

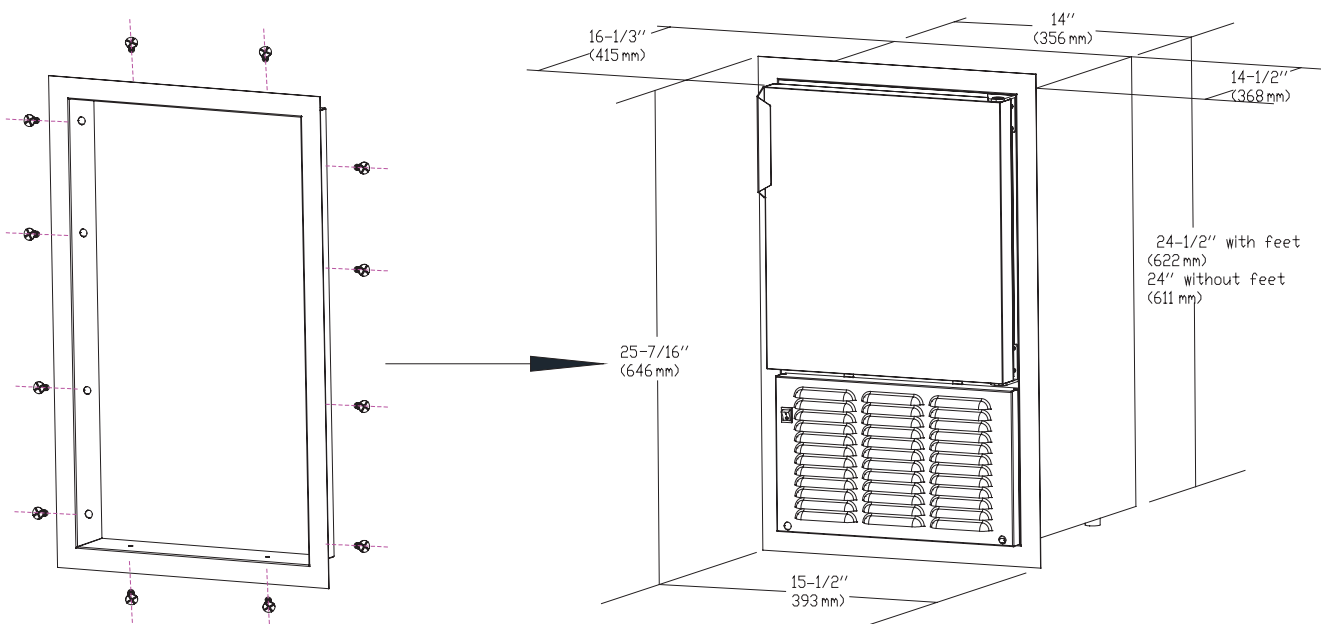
The flange kits allow seamless installation of the MMAR25 Series, which gives a greater degree of personalized application. They are optional accessories sold separately. The flange kit is used for a consistent, smooth surface and additional secure fastening by screwing the flange to the cabinet.

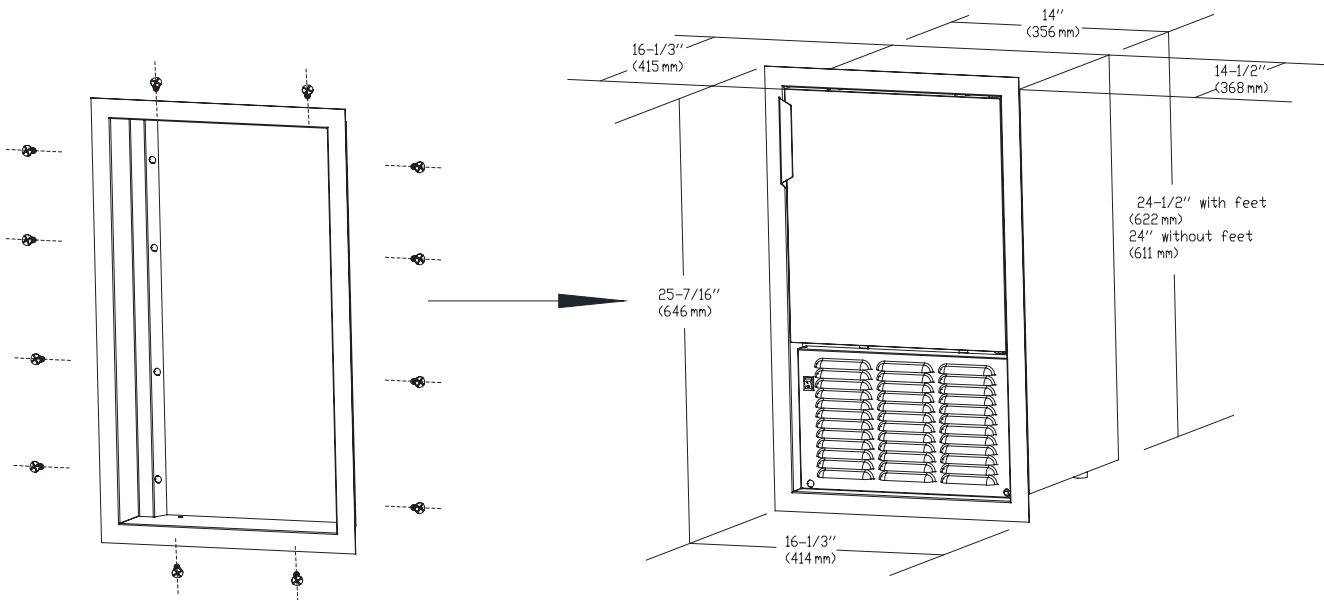
DESCRIPTION
SS Flange Kit for Flush to Door Installation
SS Flange Kit for Flush to Cabinet Installation
Black Flange Kit for Flush to Door Installation
Black Flange Kit for Flush to Cabinet Installation
White Flange Kit for Flush to Door Installation
White Flange Kit for Flush to Cabinet Installation

NOTICE

The flange must not be used for supporting the weight of the unit. Adjust the feet to level the unit and ensure the lower edge of the flange does not touch the ground.

FLUSH TO CABINET:



FLUSH TO DOOR:**INSTALLATION**

1. Remove the flange and screws from the shipping carton.
2. Using a flathead screwdriver, carefully remove the pre-installed decorative plugs from the screw holes located on the top, left, and right panels of the ice maker.
3. Put the flange through the front of the ice maker on the cabinet.
4. Adjust the feet to make sure the flange does NOT touch the ground.
5. Align the flange squarely with the unit. Screw the flange tight with the cabinet of the ice maker.
6. Move the ice maker with the flange to the cabinet. The ice maker must sit on a level surface.
7. Screw the flange to the kitchen cabinet if the ice maker is installed in a moving environment for anti-shock installation.

7

CARE AND MAINTENANCE

WARNING

Always disconnect power at the source before working on the unit. Failure to unplug the ice maker could result in electrical shock or personal injury.

- Do not touch the power plug when your hands are wet.
- Never unplug the unit by pulling on the cord. Grasp the plug and pull out firmly.

CLEANING AND MAINTENANCE

Periodic cleaning and proper maintenance will ensure efficiency, top performance, and long life. The maintenance intervals listed are based on normal conditions. You may want to shorten the intervals if you have pets, or if there are other special considerations.

- Periodically vacuum dust and dirt from the condenser, which is located behind the grill at the bottom front of the unit.
- Regularly inspect plumbing connections to ensure that no leaks are present.
- Disconnect the water supply hose if the ice maker will not be used for a long period of time.
- Never keep anything in the ice storage bin that is not ice. Objects such as wine and beer bottles are not sanitary.

EXTERIOR CLEANING

The door and cabinet may be cleaned with a mild detergent and warm water solution such as 1 oz. (28 g) of dish-washing liquid mixed with 2 gallons of warm water. Do not use solvent-based or abrasive cleaners. Use a soft sponge and rinse with clean water. Wipe with a soft, clean towel to prevent water spotting.

Clean stainless steel with a mild detergent and warm water solution and a damp cloth. Never use an abrasive cleaning agent.

INTERIOR CLEANING

When necessary, defrost and thoroughly clean the inside of the unit with mild soap and water. Do not use electrical heating devices or sharp or pointed tools when defrosting.

When defrosting or leaving the unit turned off, leave the door open.

This allows air to dry the inside of the cabinet, reducing the chance for mildew and damage to the mold mechanism's components.

WINTERIZING

WARNING

Always disconnect power at the source before working on the unit. Do not winterize this unit with ANY type of anti-freeze; damage to the mold coating will occur, invalidating product's Limited Warranty and creating potential health hazard.

1. Shut off the water supply to the unit.
2. Remove the front grill and disconnect the water supply connector. Remove the white plastic tubing and nut from the bottom of the solenoid valve.
3. Turn the power on. Allow the unit to run for an hour. Remove any cubes that may have been ejected during this period. Turn off power and open the door to allow the inside to defrost. After it has defrosted, wipe it dry and leave the door open.

RECOMMISSIONING

Connect the water supply lines, turn on the water, check for leaks, then restore power to the unit. After initial cooldown of 45-60 minutes, the unit will cycle approximately every 40 minutes.

START-UP

Turn on the water, check for leaks, and then turn on power. Turn on the unit by pressing the Power button. The fan and compressor will normally turn on immediately, resulting in air circulation through the grill and a faint hum from the compressor. If the machine was shut off while in the ice-harvesting cycle, it will have to complete the cycle before the compressor and the fan will turn on (approximately 5 minutes). The interior temperature will drop below freezing. The first harvest of ice should occur within 60 minutes of start-up. After the lines are purged of air, normal harvesting and refilling occur every 40 minutes or less, under normal conditions.

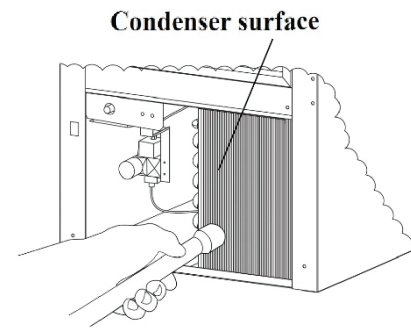
CONDENSER CLEANING

WARNING

DO NOT touch the condenser surface. The surface is sharp and can be easily damaged.

A dirty or clogged condenser prevents proper airflow, reduces ice-making capacity, and causes higher-than-recommended operating temperatures that may lead to component failure. Have the condenser cleaned at least once every six months.

1. Unplug the ice maker or disconnect power.
2. Remove the two screws on the front cover and gently pull the cover off.
3. Remove dirt and lint from the condenser and the unit compartment with the brush attachment of a vacuum cleaner.
4. Reassemble the front cover.
5. Plug in the ice maker or reconnect power.



8

TROUBLESHOOTING

PROBLEM	POSSIBLE CAUSES	SOLUTIONS
<ul style="list-style-type: none"> The machine won't operate. 	<ul style="list-style-type: none"> The ice maker is unplugged. The ice maker power switch is OFF. The ice storage bin is full of ice. 	<ul style="list-style-type: none"> Plug the ice maker in. Turn the ice maker power switch to ICE (ON). Take away some ice cubes; make sure the "ice full" probe is free of ice.
<ul style="list-style-type: none"> The compressor works abnormally with a buzzing noise. 	<ul style="list-style-type: none"> The voltage is lower than recommended. 	<ul style="list-style-type: none"> Stop the ice maker and do not restart until the voltage is normal.
<ul style="list-style-type: none"> The water doesn't feed in after the ice maker starts. 	<ul style="list-style-type: none"> The water supply tap is turned off. The water supply pipe is not properly connected. 	<ul style="list-style-type: none"> Turn on the water supply tap. Reconnect the water supply pipe.
<ul style="list-style-type: none"> Machine makes ice, but bin does not fill up with ice. 	<ul style="list-style-type: none"> The condenser may be dirty. The airflow to the ice maker may be obstructed. The ambient temperature and water temperature are high, or it is near with some heat source. 	<ul style="list-style-type: none"> Clean the condenser. Check the installation. Run the unit for a longer period of time.
<ul style="list-style-type: none"> Water is leaking out of the unit. 	<ul style="list-style-type: none"> A few water droplets are on the door. The water supply connection is leaking. 	<ul style="list-style-type: none"> Under some conditions, humidity may condense on the door. Consider moving the unit or just be more careful when you open the door. Tighten water supply hose fitting.
<ul style="list-style-type: none"> Cubes are partially formed and are white at the bottom. 	<ul style="list-style-type: none"> There is not enough water in the water bin. 	<ul style="list-style-type: none"> Check if the water supply pressure is below 15 psi. Check the water supply. It may be restricted. Check for a water leak at the water trough.
<ul style="list-style-type: none"> Noise during operation. 	<ul style="list-style-type: none"> The feet are not leveled and locked. Certain sounds are normal. 	<ul style="list-style-type: none"> Level the feet. See "Leveling the Ice Maker" on page 15. See "Normal Sounds" on page 19.

TROUBLESHOOTING



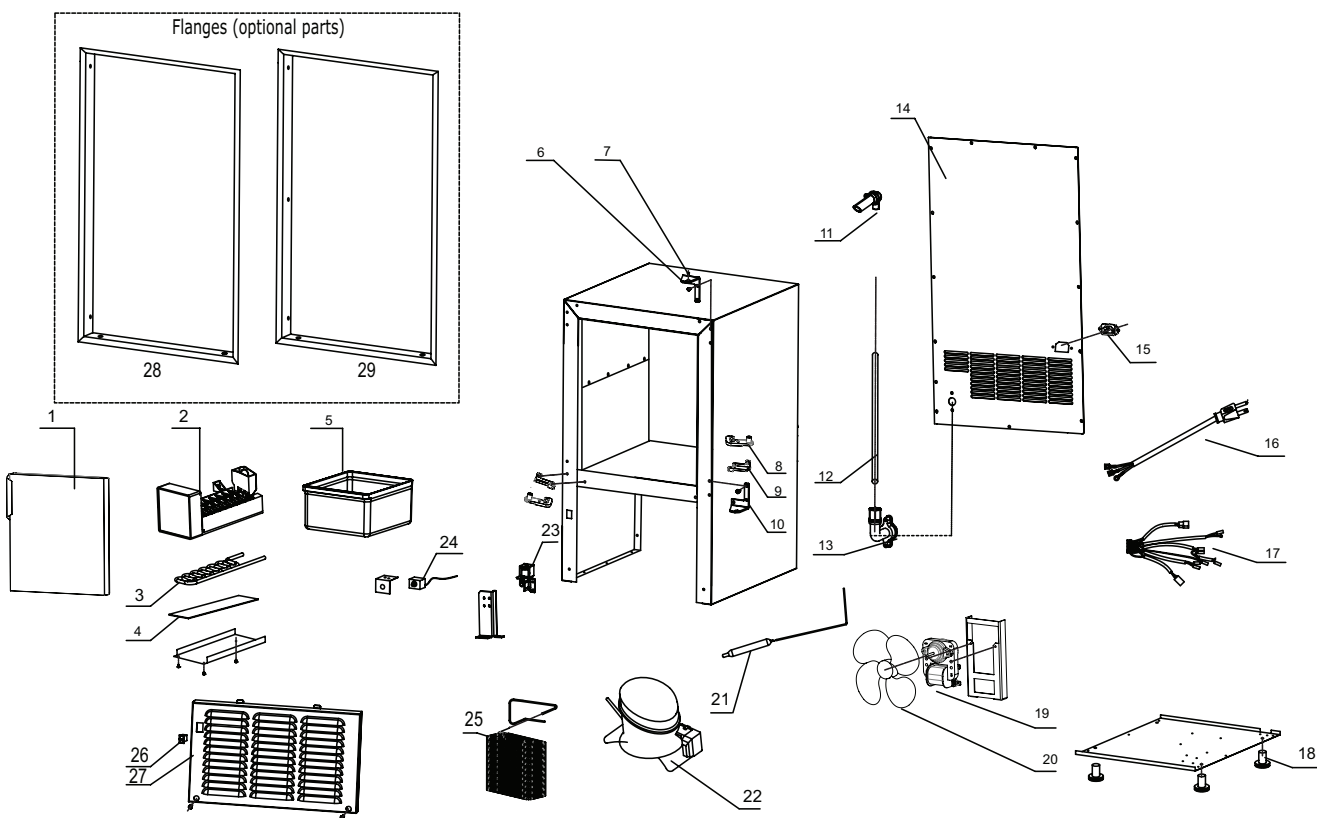
PROBLEM	POSSIBLE CAUSES	SOLUTIONS
<ul style="list-style-type: none"> The ice made is too large and has pieces sticking together. 	<ul style="list-style-type: none"> The water temperature in the storage tray or ambient is too low. 	<ul style="list-style-type: none"> Stop the machine and reset the ice-making cycle. Restart the machine after turning it off.
<ul style="list-style-type: none"> Conditions for ice-making cycle are right but no ice is made. 	<ul style="list-style-type: none"> The refrigerant leaks and/or the sealed system is blocked. Water pressure is not properly set. 	<ul style="list-style-type: none"> Contact MAXX ICE Service Department. The recommended water pressure is 58 psi. Pressures must not fall below 15 psi and static pressure must not exceed 80 psi.
<ul style="list-style-type: none"> The ice maker stops suddenly while making ice. 	<ul style="list-style-type: none"> The electricity is off. The room temperature is out of the stated range. 	<ul style="list-style-type: none"> Reconnect the power supply line. Cut off the electricity and let the ice maker stop working until the temperature returns within the stated range.
<ul style="list-style-type: none"> The body of the ice maker is electrified. 	<ul style="list-style-type: none"> The ground line is not in the sockets. 	<ul style="list-style-type: none"> Use the correct plug and outlet.
<ul style="list-style-type: none"> Scale builds up quickly inside the machine. 	<ul style="list-style-type: none"> The calcium level in the water is too high. 	<ul style="list-style-type: none"> Use a water-softening apparatus installed in front of the water inlet valve.

For Technical Service, call 1-877-368-2797, 24 hours 7 days a week, U.S. and Canada.

9

PARTS INFORMATION

EXPLODED VIEW



PARTS INFORMATION



PARTS LIST

ITEM NO.	DESCRIPTION	MMAR25S	MMAR25B	MMAR25W	MMAR25S[E0]	MMAR25B[E0]	MMAR25W[E0]
1	Door	1860131600	1860131700	1860131800	1860131600	1860131700	1860131800
2	Ice Maker Module	1861509600	1861509600	1861509600	1861507101	1861507101	1861507101
3	Evaporator	1880028901	1880028901	1880028901	1880028901	1880028901	1880028901
4	Thermal Gasket	1815208800	1815208800	1815208800	1815208800	1815208800	1815208800
5	Ice Bin	1864810600	1864810600	1864810600	1864810600	1864810600	1864810600
6	Top Hinge	1860418500	1860418500	1860418500	1860418500	1860418500	1860418500
7	Hinge Pin	1864311200	1864311200	1864311200	1864311200	1864311200	1864311200
8	Right Hatch Hook	1810173500	1810173500	1810173500	1810173500	1810173500	1810173500
9	Right Door Hatch	1810173400	1810173400	1810173400	1810173400	1810173400	1810173400
8	Left Hatch Hook	1810173300	1810173300	1810173300	1810173300	1810173300	1810173300
9	Left Door Hatch	1810173200	1810173200	1810173200	1810173200	1810173200	1810173200
10	Bottom Hinge	1860418600	1860418600	1860418600	1860418600	1860418600	1860418600
11	Water Injector	1861532100	1861532100	1861532100	1861532100	1861532100	1861532100
12	Water Inlet Pipe	1811206006	1811206006	1811206006	1811206006	1811206006	1811206006
13	Water Inlet	1864526301	1864526301	1864526301	1864526301	1864526301	1864526301
14	Rear Plate	1860131900	1860131900	1860131900	1860132000	1860132000	1860132000
15	Power Plug Coupler	N/A	N/A	N/A	1854400000	1854400000	1854400000
16	Power Cord	1853113802	1853113802	1853113802	N/A	N/A	N/A
	MMARPLUG-G	N/A	N/A	N/A	1853117600	1853117600	1853117600
	MMARPLUG-I	N/A	N/A	N/A	1853117700	1853117700	1853117700
	MMARPLUG-F	N/A	N/A	N/A	1853117800	1853117800	1853117800
	MMARPLUG-D	N/A	N/A	N/A	1853118000	1853118000	1853118000
17	Wire Harness	1851764504	1851764504	1851764504	1851701900	1851701900	1851701900
18	Feet	1864811100	1864811100	1864811100	1864811100	1864811100	1864811100
19	Fan	1858204600	1858204600	1858204600	1858204500	1858204500	1858204500
20	Fan Blade	1860701500	1860701500	1860701500	1860701500	1860701500	1860701500
21	Dray Filter	1880007800	1880007800	1880007800	1880007800	1880007800	1880007800
22	Compressor	1858421500	1858421500	1858421500	1858421600	1858421600	1858421600
22.1	Starting Relay	1858421510	1858421510	1858421510	1858421610	1858421610	1858421610
22.2	Overload Protector	185824520	185824520	185824520	185824520	185824520	185824520
23	Water Inlet Valve	1854707300	1854707300	1854707300	1854707400	1854707400	1854707400
24	Thermostate	1849740700	1849740700	1849740700	1849740700	1849740700	1849740700
25	Condensor	1885001003	1885001003	1885001003	1885001003	1885001003	1885001003
26	Power Switch	1854002201	1854002201	1854002201	1854002201	1854002201	1854002201
27	Louver	1860443600	1860443700	1860443800	1860443600	1860443700	1860443800
28	MMARFTDFLG-S	SS Flange Kit for Flush to Door					
	MMARFTDFLG-B	Black Flange Kit for Flush to Door					
	MMARFTDFLG-W	White Flange Kit for Flush to Door					
29	MMARFTCFLG-S	SS Flange Kit for Flush to Cabinet					
	MMARFTCFLG-B	Black Flange Kit for Flush to Cabinet					
	MMARFTCFLG-W	White Flange Kit for Flush to Cabinet					

WARRANTY

THE LEGACY COMPANIES WARRANTY COVERAGE

MAXX ICE MARINE MMAR25 MARINE LIMITED WARRANTY

THE LEGACY COMPANIES (TLC) warrants to each Retail Buyer that its products be free from defects in materials and workmanship for the period specified below. THE LEGACY COMPANIES obligation under this warranty shall be limited to repairing or replacing, at its option, any part or product found to be defective within the specified warranty period.

2-YEAR LIMITED WARRANTY

For two years from the date of original purchase, this product warranty covers all parts and labor to repair or replace any part of the product that proves to be defective in materials or workmanship.

5-YEAR SEALED SYSTEM WARRANTY

For five years from the date of original purchase, Maxx Marine will repair or replace the following parts, labor not included, that prove to be defective in materials or workmanship: compressor, condenser, evaporator, drier, and all connecting tubing.*

*May or may not be serviced on site. Unit may be replaced in kind or returned to the factory for repair at the sole discretion of THE LEGACY COMPANIES based on the apparent condition of the unit and its needed servicing. Warranty subject to verification by THE LEGACY COMPANIES.

WARRANTY CLAIMS

Warranty claims can be made by calling **1-877-368-2797** during normal business hours between 8:30am and 5:30pm Eastern, Monday through Friday excluding Weekends and Holidays. Emergency warranty service claims can be made after hours, weekends and holidays by dialing 1-877-368-2797 and following the automated prompts. **All claims must include:** make, model number, serial number, proof of purchase (dated receipt), date of installation, retail store where purchased and all pertinent information supporting the claim prior to the issuance of a warranty claim number. At the time of a warranty claim, should on-site service be necessary, a service company will be dispatched to the location to facilitate repairs covering labor (*during normal business hours, premium or overtime service is not included*) and travel up to 50 miles from location. If during the warranty event the on-site technician determines the issue to be the result of improper installation, misuse, abuse, or requires adjustments and/or calibration, the end user will become responsible for any charges brought forth by the service company. Should on-site service not be required, an RMA (*Return Merchandise Authorization*) may be issued. The issuance of an RMA requires the end user provide

adequate packaging and shipping including the cost of freight to the Service Center for disposition. Should a replacement unit be necessary, it will be at the sole discretion of Management and a new or refurbished unit will be provided. The cost to repair or replace the item including the cost to ship the unit back to the end user will be covered as a part of the warranty.

PRODUCT RETURNS

Product returned without our RMA or to the retailer under the auspices of warranty, freight damage or other, prior to the review and authorization of Management with the expectation of receiving a credit and/or payment for the same, is strictly prohibited and will become the sole responsibility of the party authorizing the transaction.

WARRANTY EXCLUSIONS

NO CONSEQUENTIAL DAMAGES: The manufacturer is not responsible for economic loss or special, indirect or consequential loss including without limitation; loss or damage arising from food or product spoilage claims, whether or not on account of product failure.

CONSEQUENTIAL DAMAGES: This warranty does not cover any defect due to, or resulting from, ordinary wear and tear, handling, abuse, misuse, improper ventilation, erratic utility service or harsh chemical action, nor shall it extend to any product from which the serial number has been removed or altered, or modifications made by unauthorized service personnel or damage by flood, fire or other acts of God.

WARRANTY IS NOT TRANSFERABLE: This warranty is not transferable or assignable and applies only to the original verified purchaser.

NO IMPLIED WARRANTY OF MERCHANTABILITY OR FITNESS FOR PARTICULAR SERVICE: There are no other warranties statutory, expressed, or implied, except that which is specifically found on the website. These warranties are exclusive and in lieu of all other warranties including implied and merchantability or fitness of a particular purpose.

IMPROPER ELECTRICAL CONNECTIONS: The manufacturer is not responsible for the repair or replacement of failed or damaged components resulting from electrical power failure, the use of extension cords, low voltage, or voltage drops to the unit.

IMPROPER USAGE: The manufacturer assumes no liability for parts or labor coverage for component failure or other damages resulting from improper usage or installation or failure to clean and/or maintain the product as set forth in the Owner's Manual provided with each unit.

ADJUSTMENTS & CALIBRATIONS: Adjustments including calibrations, leveling, tightening of fasteners, or utility connections normally associated with the original installation are the responsibility of the retailer or installer and not the responsibility of the manufacturer.

CONSEQUENTIAL DAMAGES: This warranty does not cover any defect due to, or resulting from, ordinary wear and tear, handling, abuse, misuse, improper ventilation, or harsh chemical action, nor shall it extend to any product from which the serial number has been removed or altered, or modifications made by unauthorized service personnel or damage by flood, fire or other acts of God.



WARRANTY

OUTSIDE NORTH AMERICA: This warranty does not apply to, and the manufacturer is not responsible for any warranty claims made on products sold or used outside North America and or any territories of the United States of America.

DISCLAIMER

The Manufacturer reserves the exclusive right to change or modify this warranty statement or any part herein at any time and without prior notice.

07/01/2019
P/N: 1866826800

The Legacy Companies

2255 Enterprise Avenue, Suite 160, Fort Lauderdale, FL 33331

Sales: (954) 202-7419 • Sales@TheLegacyCompanies.com

Tech Service: (877) 368-2797 • Service@MaxxHelp.com

