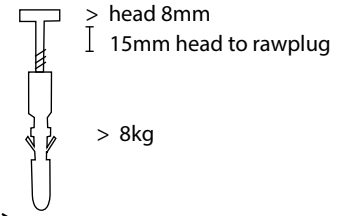


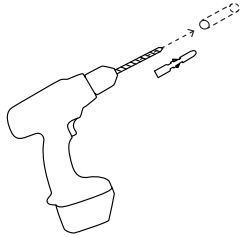
Instructions:

GrowON attachment on the wall

For each product, please purchase: one screw+ raw/ dowel plug for the wall, where you want to hang the product. The screw + raw/ dowel plug has to be selected according to the wall construction and carry the weight of min. 6kg. Make sure that you chose the right type and size of the rawplug. The screw head needs to be bigger than 8mm.



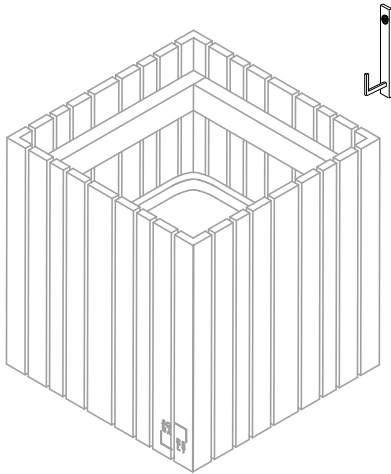
1. Drill a hole in the wall, where you would like to attach GrowON. The hole needs to have the correct size for the rawplug



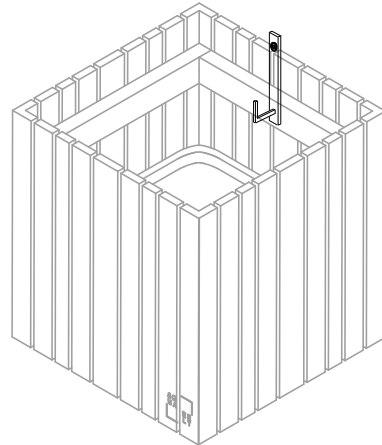
2. Place the hook, where the product should hang. Place the screw through the hook and into the rawplug



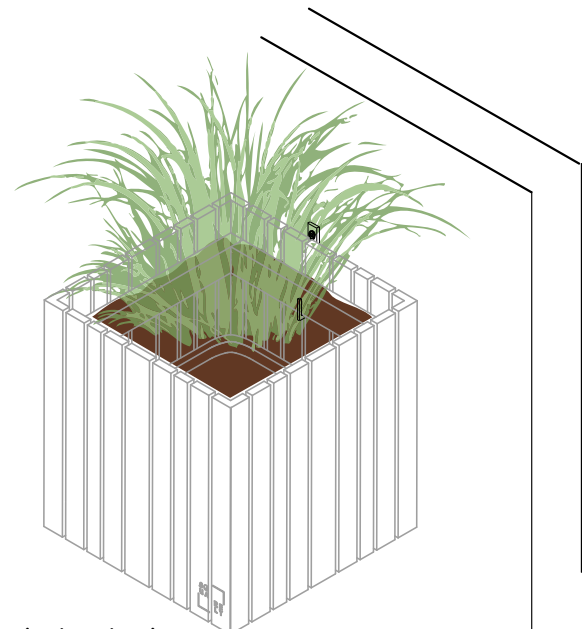
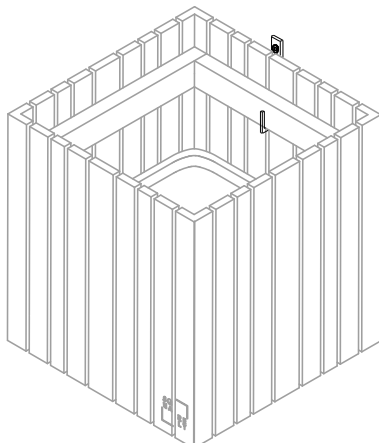
3. Remove the upper plastic container from GrowON. Hang the planter on the hook.



4. The hook should be fitted in between two planks and below the upper construction frame.



5. Make sure the product hangs stable. In case you have a very heavy plant, write us, we will send you an additional hook.



6. Plant the plant in the plastic container and place it in the planter.