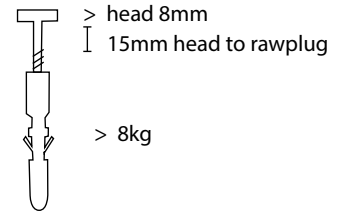
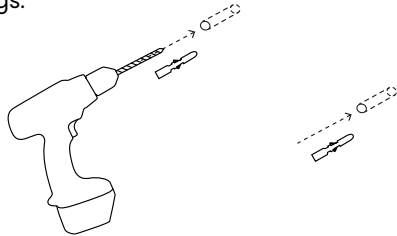


Instructions: GrowWide attachment on the wall

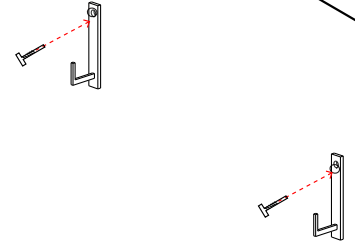
For each product, please purchase: two screws+ raw/ dowel plugs for the wall, where you want to hang the product. The screws + raw/ dowel plugs has to be selected according to the wall construction and carry the weight of min. 9kg. Make sure that you chose the right type and size of the rawplugs. The screws head needs to be bigger than 8mm.



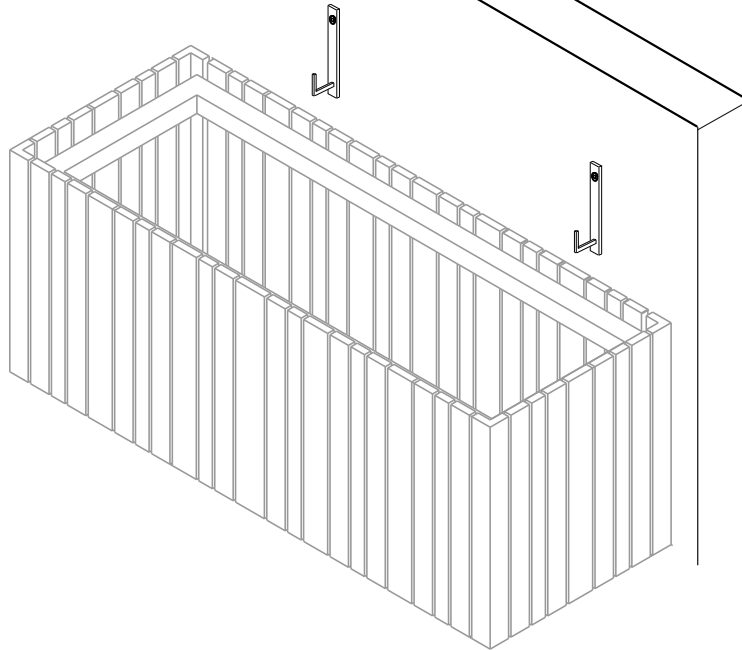
1. Place the hooks in the product, to check exactly the distance between the hooks and make 2 marks for the screws on the wall. Drill 2 holes in the wall for the hooks. The holes needs to have the correct size for the rawplugs.



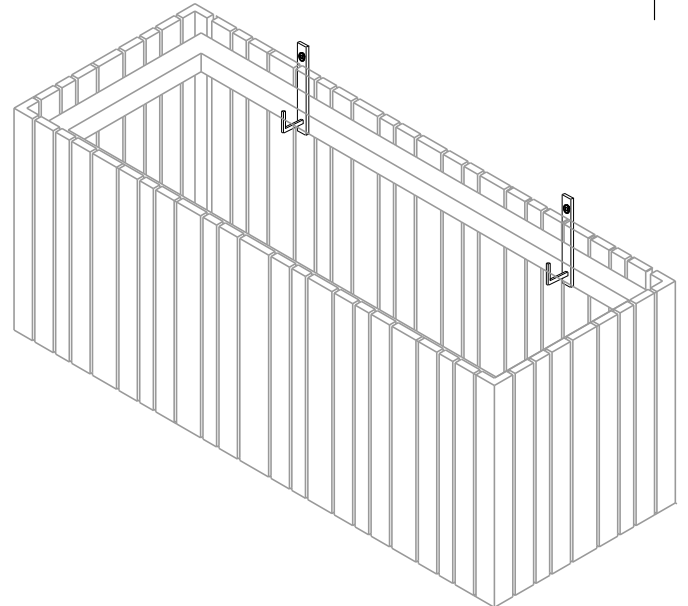
2. Place the hooks, where the product should hang. Place the screws through the hooks and into the rawplug



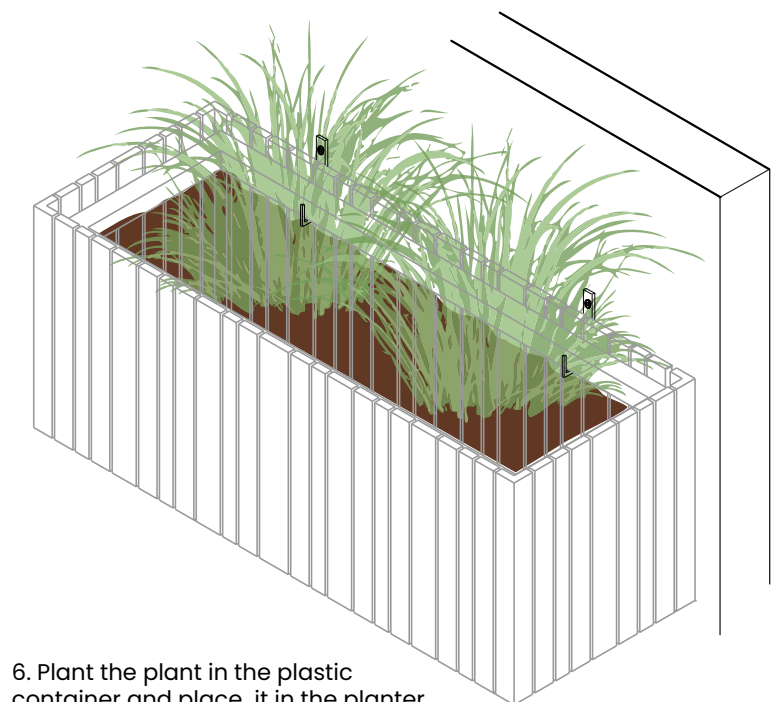
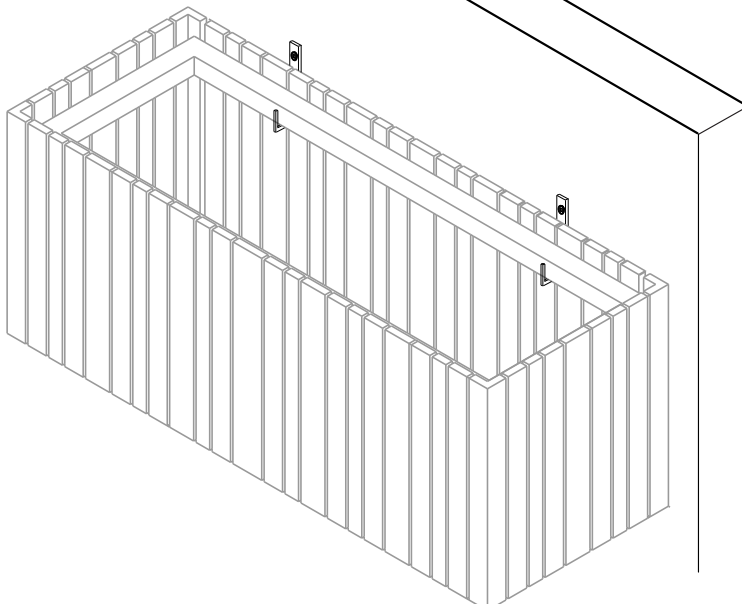
4. Hang the planter on the hooks.



5. The hooks should be fitted in between two planks and below the upper construction frame.



5. Make sure the product hangs stable.



6. Plant the plant in the plastic container and place it in the planter.