



Wall Mount Handrail HK28

User Guide

1. Overview

Muzata wall mount handrails are designed for weldless installation. You can easily assemble all the parts without any cutting, welding, and the hassle of drilling on stainless steel. Everything you need is included in the package.

2. Specifications

Muzata offers wall-mounted handrails in varying lengths as listed below. Please select the appropriate length that corresponds to your project requirements.

Name	Model	Material	SPEC	Finish
Rectangle Wall Mount Handrail	HK28 SL4	T304 stainless steel	2 3/8"×1 3/16"	Brushed
Rectangle Wall Mount Handrail	HK28 BP4	T304 stainless steel	2 3/8"×1 3/16"	Black powder coated



5FT



10FT



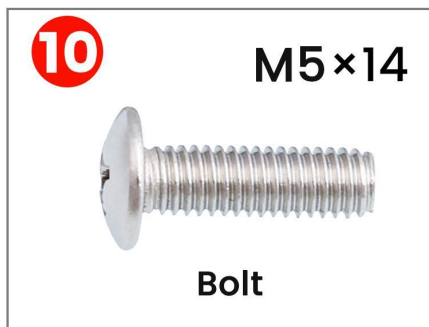
5FT



10FT

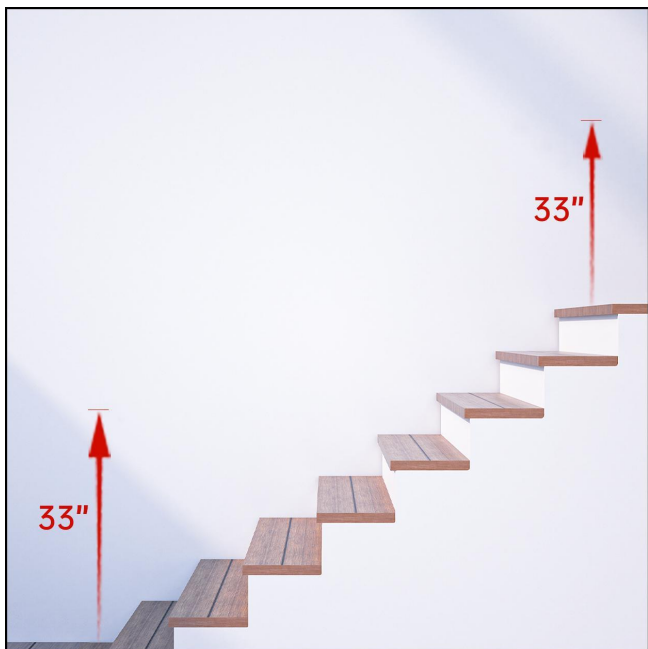
3. Items related

(1) Package includes

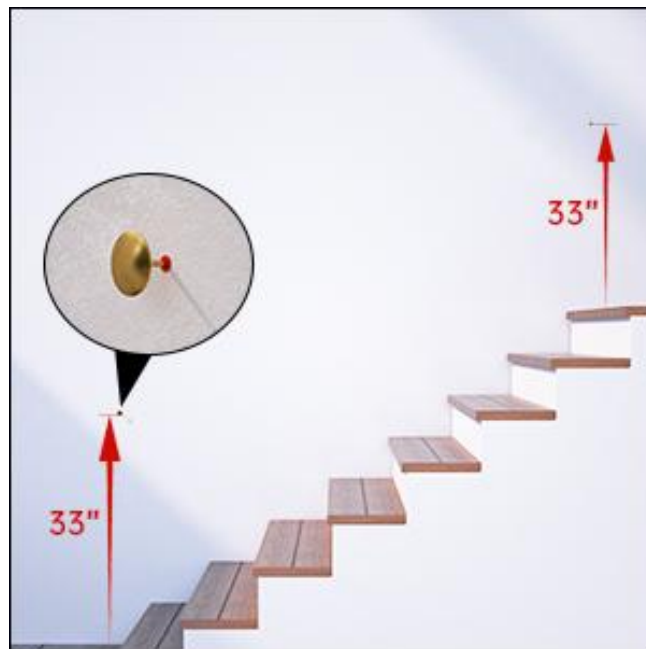


4. Installation Steps

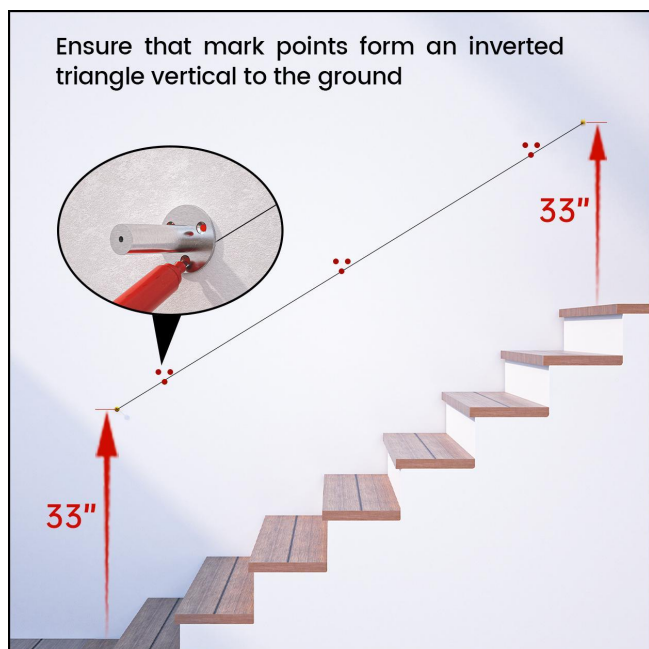
4.1 Locate bracket on the wall



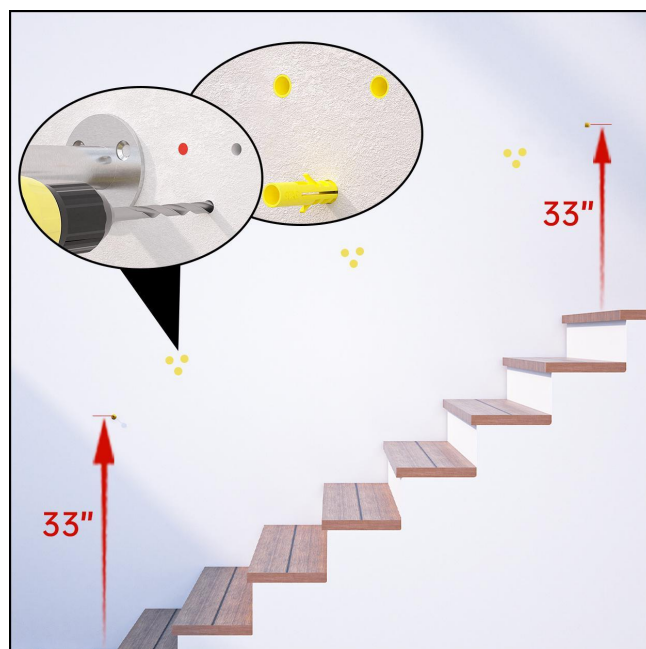
Step 1 - Measure and mark the position of the brackets on the wall.



Step 2 - Place thumbtacks on the mark points.



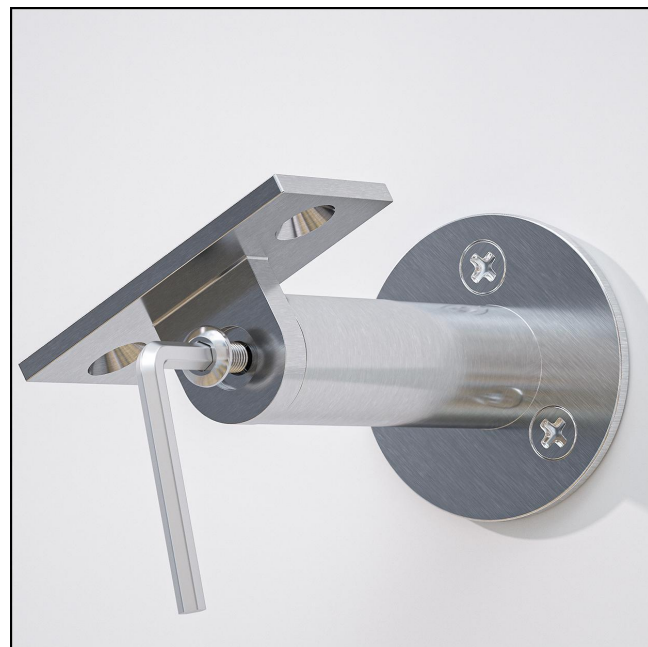
Step 3 - Connect two thumbtacks with a piece of string, then mark the points for bracket base.



Step 4 - Drill guide holes with the 5/16" drill bit **3** for anchor plugs **4**.



Step 5 - Fix the bracket base **2** with M5×40mm self tapping screws **5**.

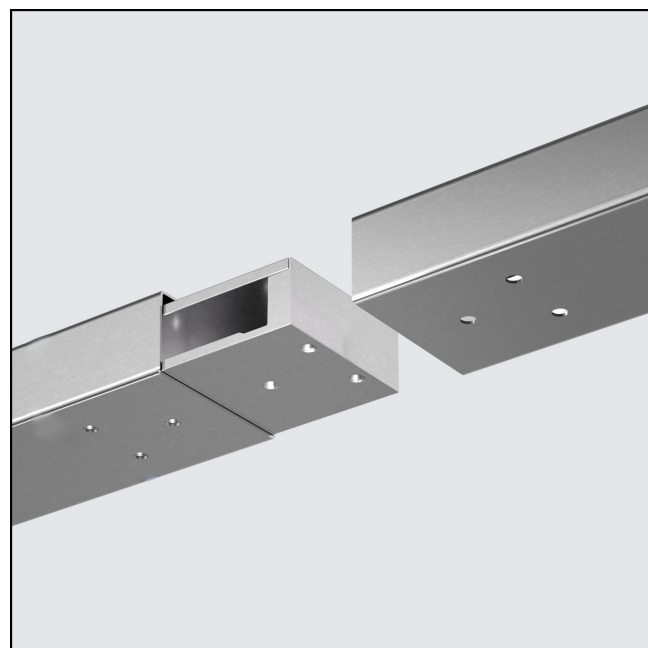


Step 6 - Install the bracket **2**, and leave some tighten room in this step.

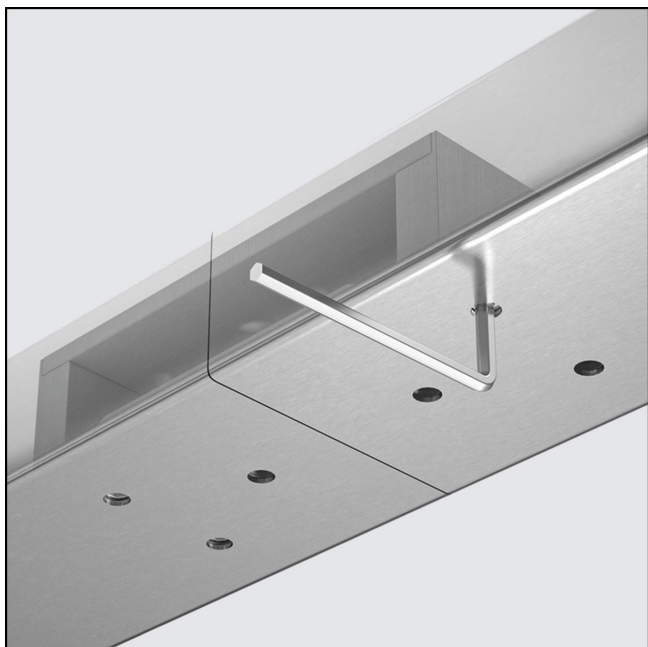
4.2 Assemble the handrails



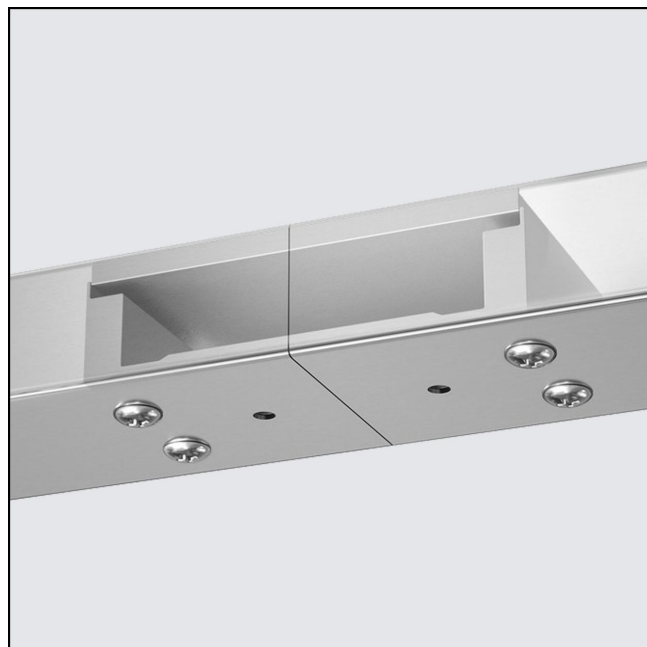
Step 1 - Cover the connector cover onto the base and screw the set screws into the base.



Step 2 - Insert the connector and align it with the holes on the handrails.



Step 3 - Tighten the set screws **9** until the connector **8** is completely tapped in handrails.



Step 4 - Fix connector and handrail with M5×14mm bolts **10**.

4.3 Install handrails onto the bracket



Step 1 - Fix the handrails onto brackets with M5×16mm bolts **6**.



Step 2 - Tighten the bracket base screw.

5. Tips

- (1) Please ensure that you take accurate measurements of the position, length, and angle before commencing the installation process.
- (2) Please exercise caution when tightening the bolts between the handrail connector and bracket, as excessive force may cause the thread to break.
- (3) Kindly follow the step-by-step instructions provided to complete the installation process.
- (4) It is recommended that you get the assistance of a partner when undertaking the installation process.

6. Free design service

We offer custom cable railing design service for free. If you are a beginner or not sure about how to do it, please reach us. Our experts can do all the planning, designing and budget work for you without extra charging.

7. About Muzata

MUZATA has helped millions of families with their cable railing projects during the past years. We believe that home renovation should be easy and affordable. So we work with every effort to provide quality products and professional service, to make Muzata a reliable brand.