

Wall mount handrail HK27

User Guide

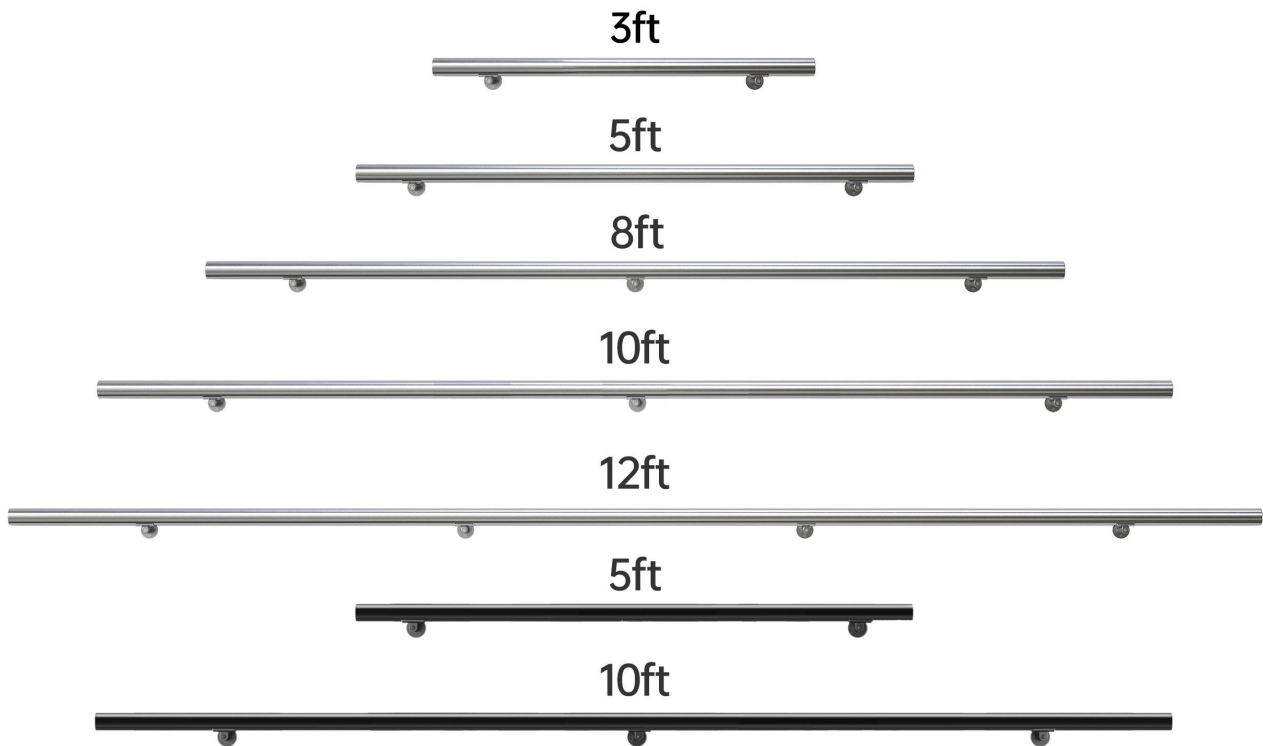
1. Overview

Muzata wall mount handrails are designed for weldless installation. You can easily assemble all the parts without any cutting, welding, and the hassle of drilling on stainless steel. Everything you need is included in the package.

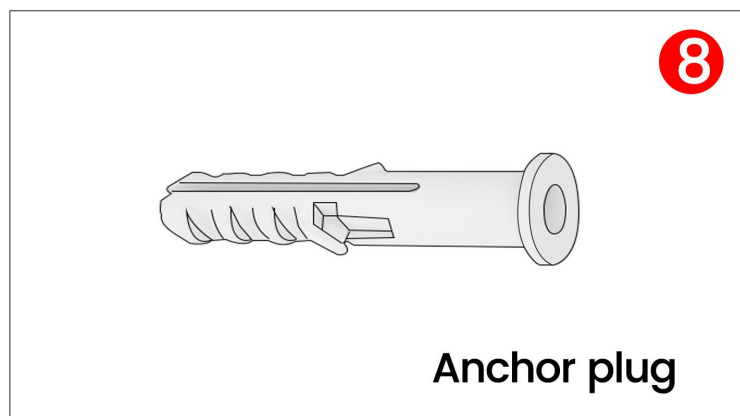
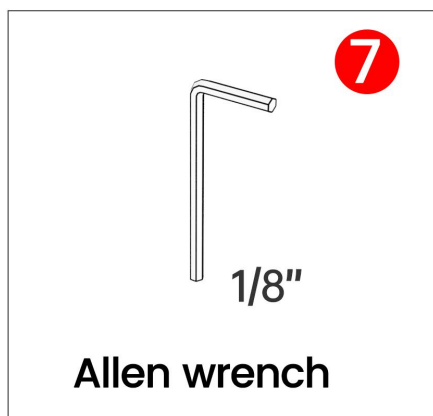
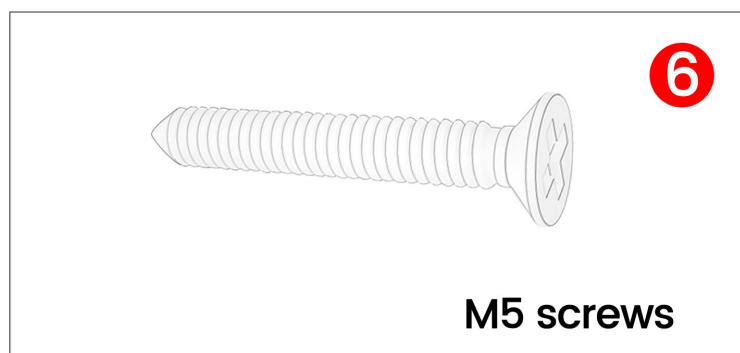
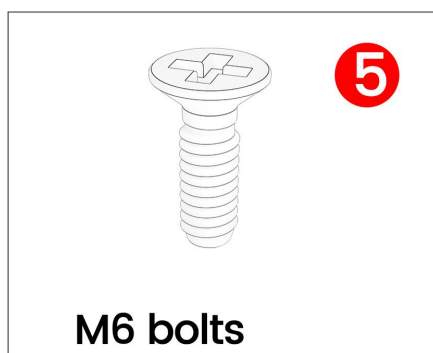
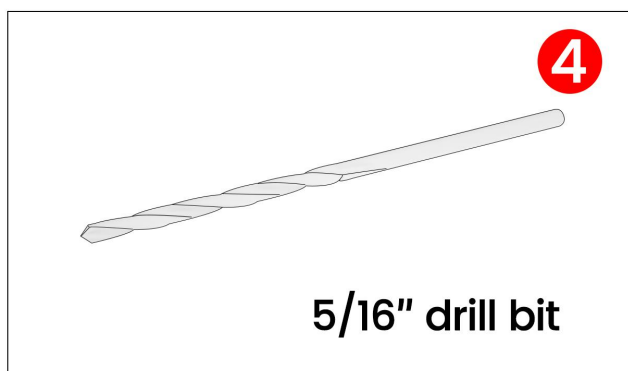
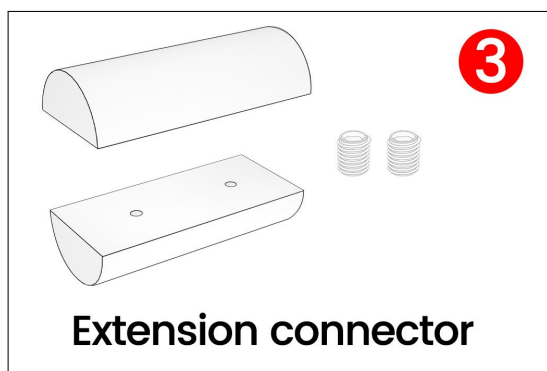
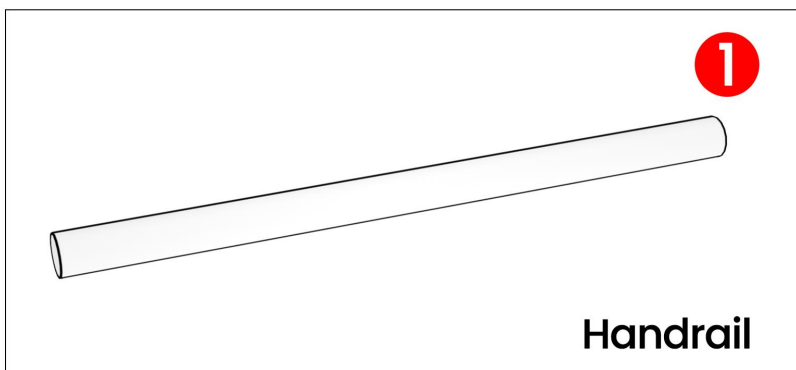
2. Specifications

Muzata offers wall-mounted handrails in varying lengths and colours as listed below. Please select the appropriate length and colour that corresponds to your project requirements.

Name	Material	SPEC	Finish	Model
Muzata Wall Mount Handrail	T304 stainless steel	2 inch OD	Brushed	HK27 SL4
			Black power-coated	HK27 BP4

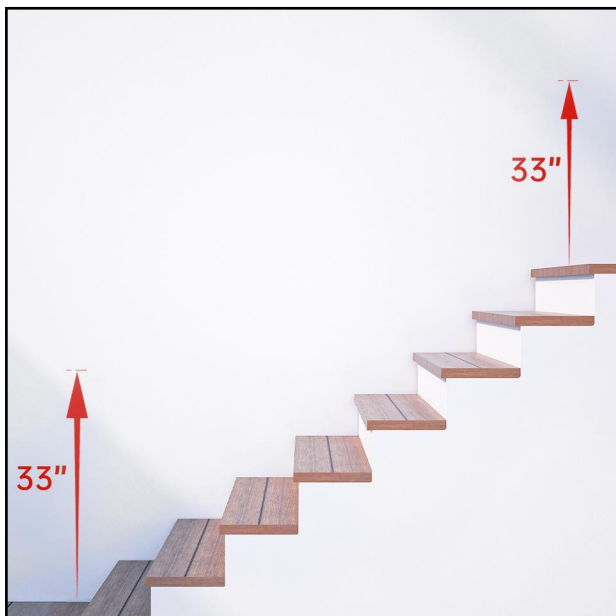


3. Items related

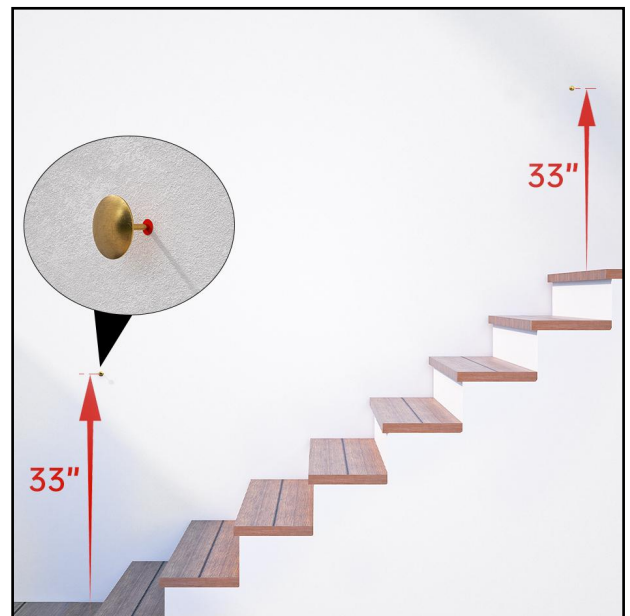


4. Installation steps

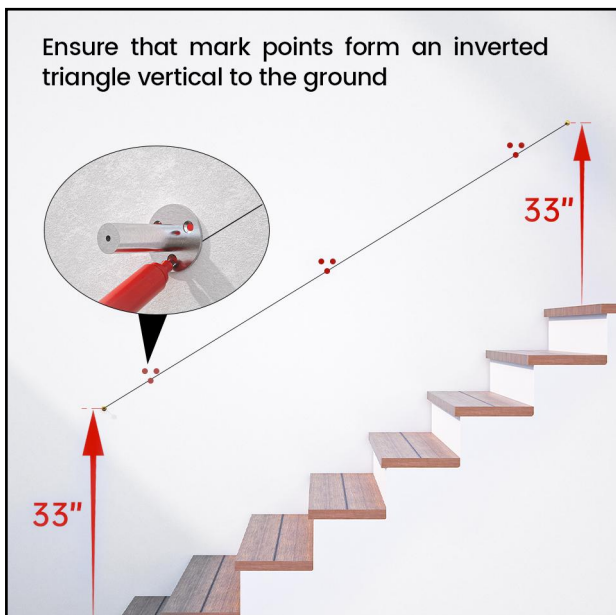
4.1 Locate bracket on the wall



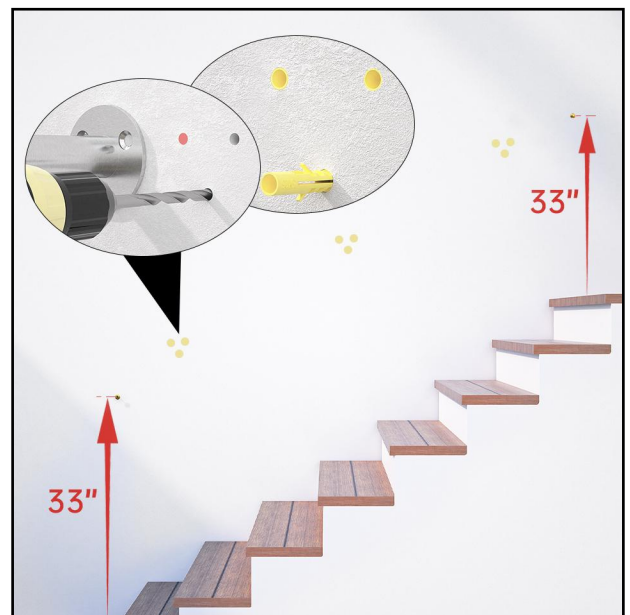
Step 1 - Measure and mark the position of the brackets on the wall.



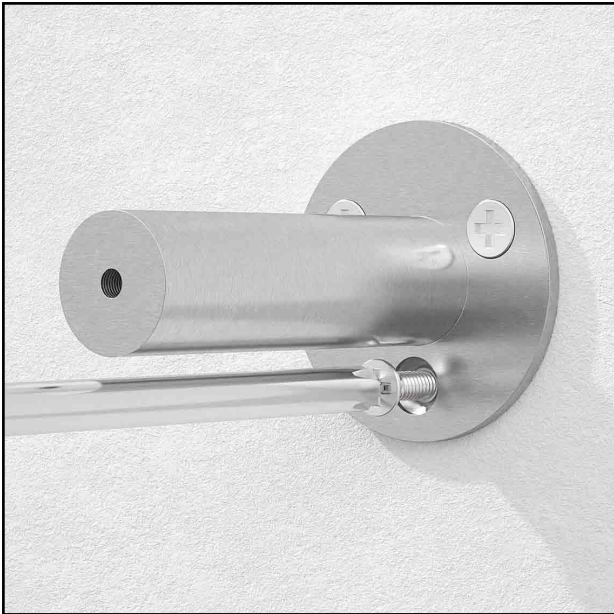
Step 2 - Place thumbtacks on the mark points.



Step 3 - Connect the thumbtacks with string, and then mark the bracket base ② as illustrated in the picture



Step 4 - Drill guide holes with the 5/16" drill bit ④ for anchor plugs ⑧.



Step 5 - Fix the bracket base **2** with M5 self tapping screws **6**.



Step 6 - Install the bracket **2**, and leave some tighten room in this step.

4.2 Assemble the handrails



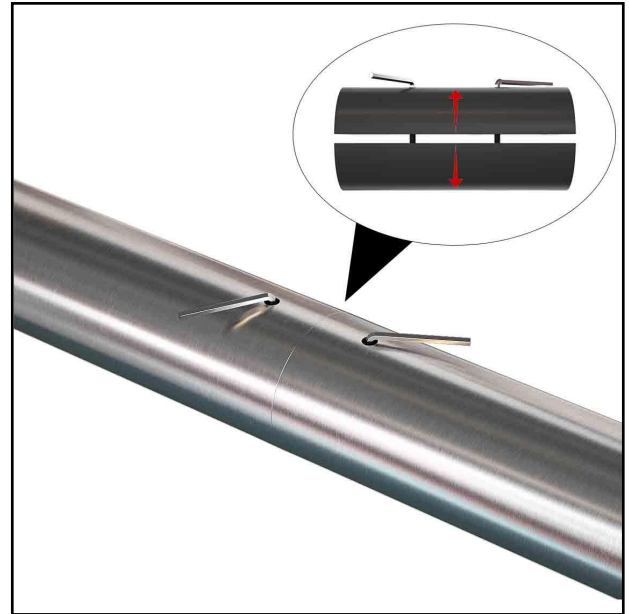
Step 1 - Place adjustable connector **3** into one handrail **1**. Make sure the set screws are attached to the pre-drilled hole on the connector.



Step 2 - Tighten the set screw a little bit with the allen wrench **7**, just to prevent the connector from moving.



Step 3 - Install the other handrail ①, stick the allen wrench ⑦ into the previous hole to prevent the connector from spinning.



Step 4 - Fasten the two set screws to expand the connector and tighten the connections.

4.3 Install handrail onto the bracket



Step 1 - Fix the handrail to brackets.



Step 2 - Tighten the bracket base screw.

5. Tips

- (1) Please ensure that you take accurate measurements of the position, length, and angle before commencing the installation process.
- (2) Please exercise caution when tightening the bolts between the handrail connector and bracket, as excessive force may cause the thread to break.
- (3) Kindly follow the step-by-step instructions provided to complete the installation process.
- (4) It is recommended that you get the assistance of a partner when undertaking the installation process.

6. Free design service

We offer custom cable railing design service for free. If you are a beginner or not sure about how to do it, please reach us. Our experts can do all the planning, designing and budget work for you without extra charging.

7. About Muzata

MUZATA has helped millions of families with their cable railing projects during the past years. We think that home renovation should be easy and affordable. So we work with every effort to provide quality products and professional service, to make Muzata a reliable brand.

Follow us



@Muzata railing



@muzata_official



@muzata_official



@muzata_official