

HT10

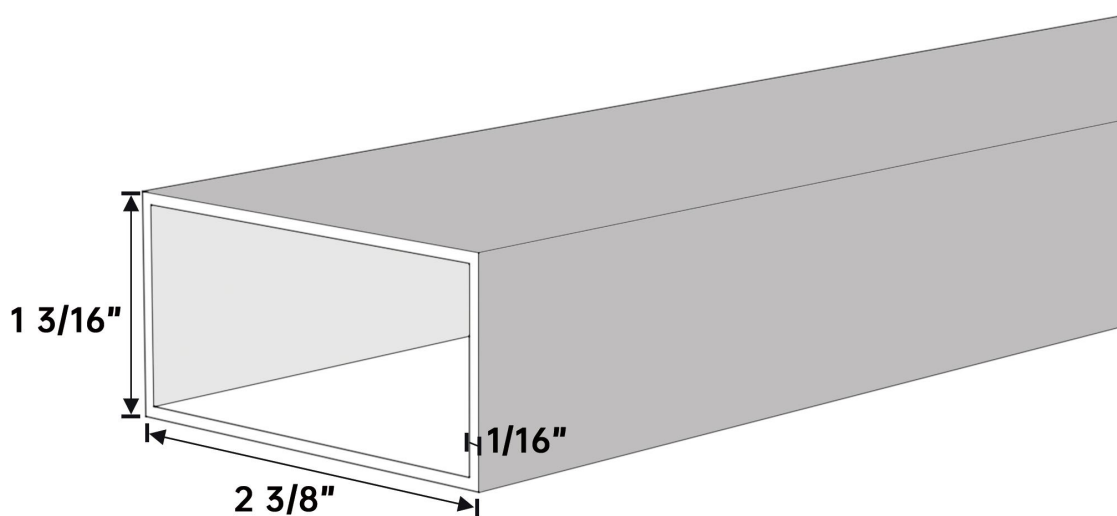
Handrail

User Guide

1. Overview

Muzata HT10 is made of high-quality stainless steel, providing a secure and reliable support solution for residential, commercial, or industrial spaces. They can be used with metal posts or wooden posts. We offer various color options to meet your personalized needs. They feature excellent waterproof and corrosion-resistant properties, making them suitable for both indoor and outdoor environments.

2. Specifications



HT10 BP4



HT10 WP4



HT10 SL4

Model Number	Length	Finishing	Material
HT10 BP4	6'6"	Black Powder-coated	304 stainless steel
HT10 WP4	6'6"	White Powder-coated	304 stainless steel
HT10 SL4	6'6"	Brushed Finish	304 stainless steel

3. Items related

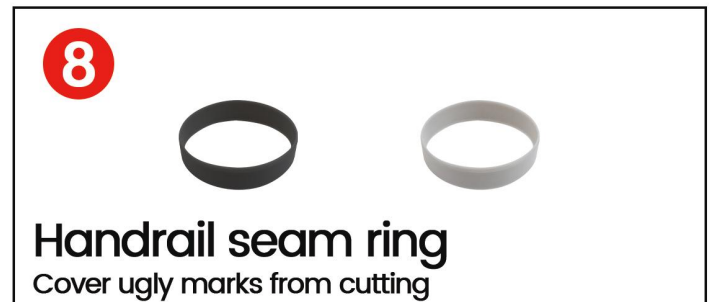
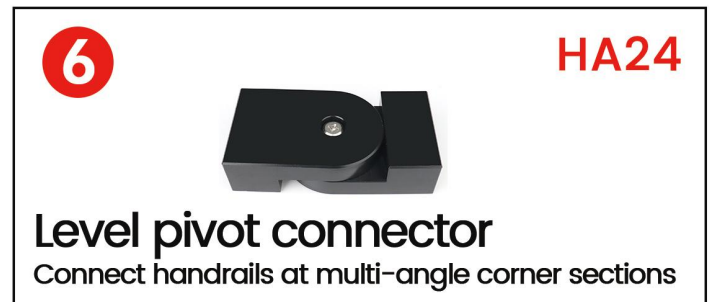
(1) Package includes

For your convenience, here is a list of the items included in the handrail package.



(2) Accessories related

Please note that the accessories listed below may be required but are not included in the package. If needed, they can be purchased separately.



4. Installation Steps

4.1 Level Installation

(1) Put handrails on the posts



Step 1 - Mark hole positions.



Step 2 - Drill with a 5/32" drill bit.

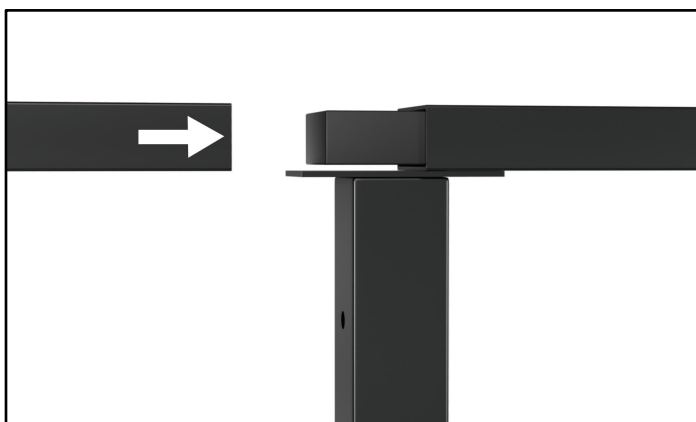


Step 3 - Drill threads using a M5 drill tap.



Step 4 - Install the handrails on posts with M5x16mm bolts.

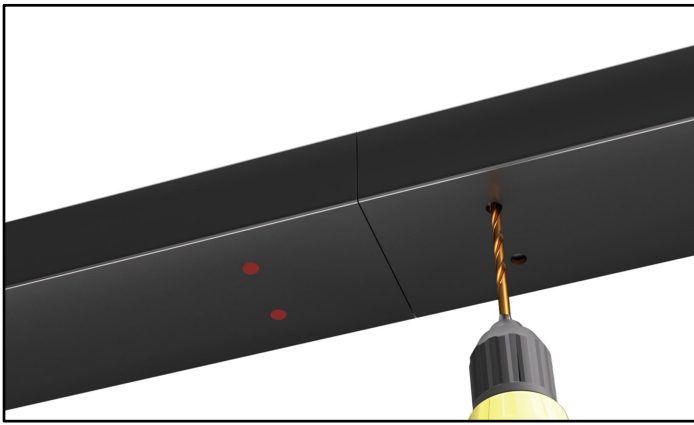
(2) Connect the handrail



Step 5 - Connect handrails with HA01 extension connector **3**.



Step 6 - Mark hole positions.



Step 7 - Remove connector **3**
and drill 3/16"holes on handrails **1**.



Step 8 - Reinstall connector **3**
and drill 5/32"holes on it.

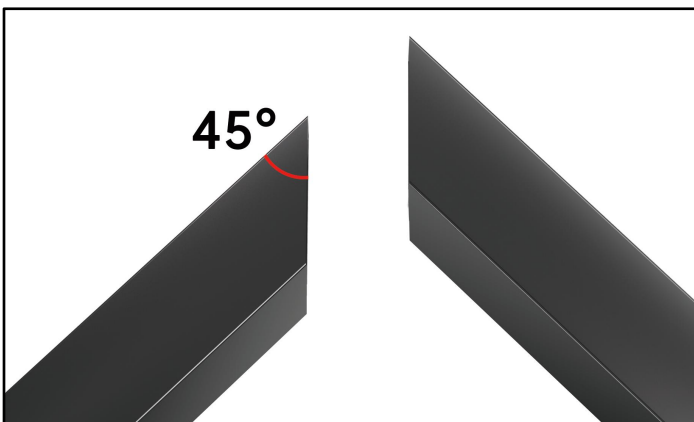


Step 9 - Tighten with M5×16mm
bolts.



Step 10 - Install the end caps
2.

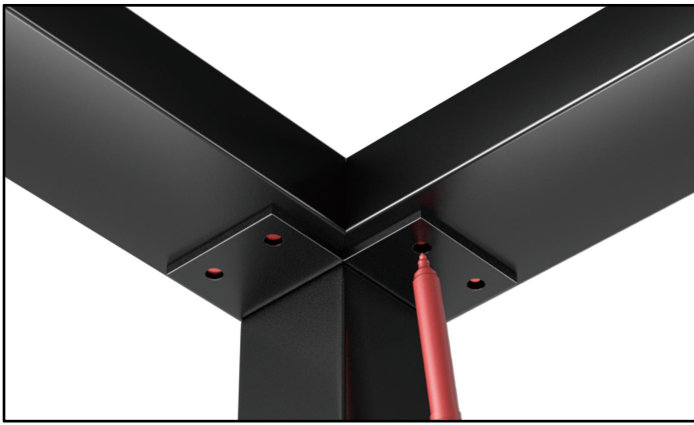
4.2 Corner Installation



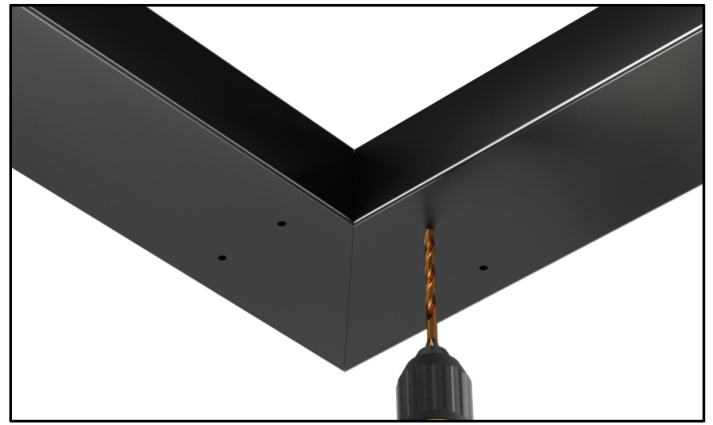
Step 1 - Cut the two handrails **1**
at a 45° angle.



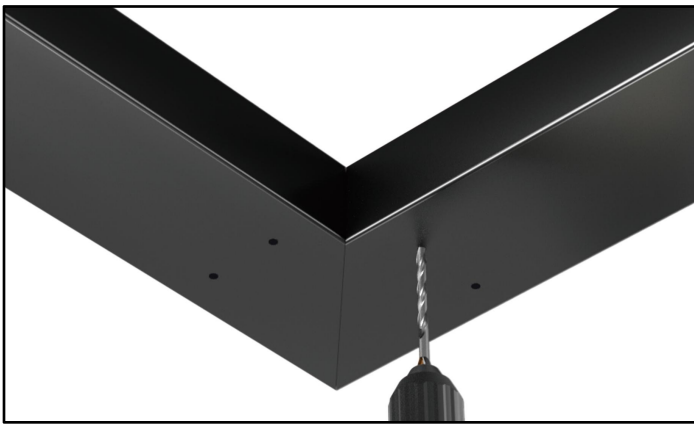
Step 2 - Connect two handrails
1 with HA02 corner connector **4**.



Step 3 - Mark hole positions.



Step 4 - Remove connector **4** and drill 3/16" holes on handrail **1**.

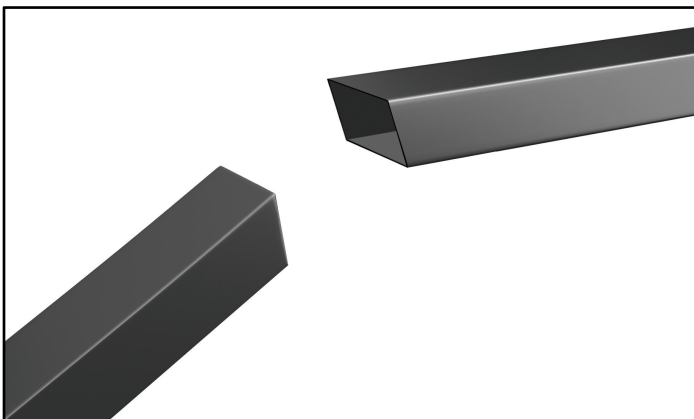


Step 5 - Reinstall connector **4** and drill 5/32" holes on it.

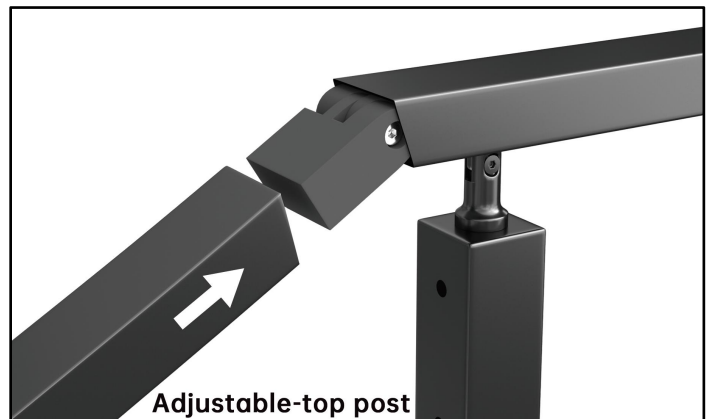


Step 6 - Tighten with M5×20mm screws.

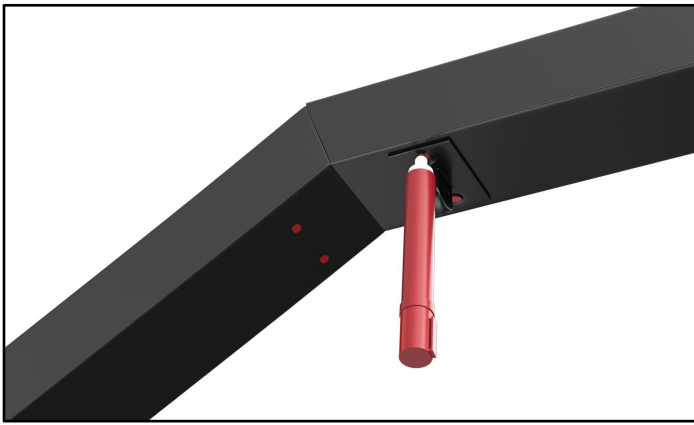
4.3 Stair Installation



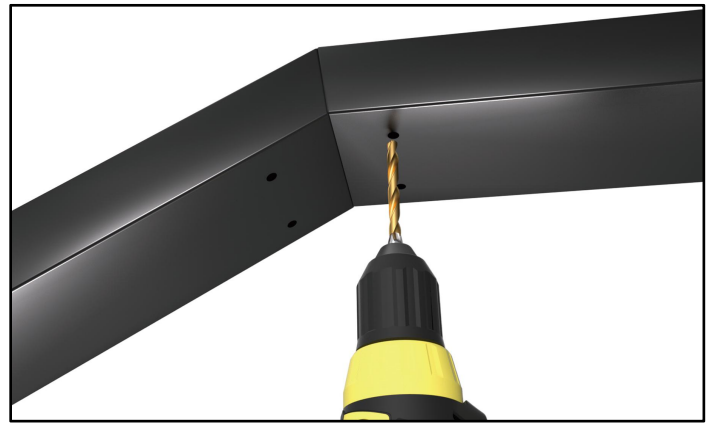
Step 1 - Cut the two handrails **1** to match the stair angle.



Step 2 - Connect two handrails **1** with HA23 Vertical pivot connector **5**.



Step 3 - Mark hole positions.



Step 4 - Remove connector **5** and drill 3/16" holes on handrail **1**.



Step 5 - Reinstall connector **5** and drill 5/32" holes on it.



Step 6 - Connect post with adjustable top bracket to handrails, secure with M5×20mm screws.



Step 7 - Secure with M5 × 20mm screws.



Step 8 - Place the installed handrails **1** onto the bracket of the post and tighten the screws.

Please note that installation videos are available on our product pages for further details if needed.

5. Tips

- (1) To ensure easy and perfect installation, please strictly follow the steps.
- (2) If the handrail seams are rough and ugly, it is recommended to use the handrail seam ring.
- (3) Make sure that your posts and handrails are properly installed before you start the cable installation. You may need to purchase a little more material than expected. This is because some materials may not be reusable due to misoperations.
- (4) The recommended post spacing between two posts is 3ft - 4ft, no more than 4ft. For our 6'6" handrail, it would be best to use 3'3" post spacing.
- (5) The total height of the railing (including handrail) should be equal or higher than 36" to meet residential building codes in most states. Please check with local code officials to ensure system meets code requirements.
- (6) 3" cable spacing and 200 lbs of tension on each cable line is recommended in order to pass the 4" sphere test (required by some states). A tension gauge is available online or locally.

6. Free design service

We offer custom cable railing design service for free. If you are a beginner or not sure about how to do it, please reach us. Our experts can do all the planning, designing and budget work for you without extra charging.

7. About Muzata

Muzata has helped millions of families with their cable railing projects during the past years. We believe that home renovation should be easy and affordable. So we work with every effort to provide quality products and professional service, to make Muzata a reliable brand.

Follow us



@Muzata railing



@muzata_official



@muzata_official



@muzata_official