



# **Aluminium Cable Railing Deck Gate DG01 User Guide**

# 1. Overview

Muzata's deck gate DG01 is custom designed for Muzata cable railing systems. It completes the whole system and gives you a consistent look to your deck. The deck gate is made from aluminum material and provides excellent rust resistance, making it ideal for both indoor and outdoor projects, even for coastal projects.


# 2. Specifications



<b>Name</b>	<b>Model</b>	<b>Material</b>	<b>Specification(mm)</b>	<b>Finshing</b>
Cable railing deck gate	DG01 BPA	Aluminum	915(L) x 63(W) x 823(H)	Black powder coated

### 3. Items related

For your convenience, we have provided a list of items included in packaging below.

<p><b>1</b> <b>G1</b></p>  <p>Side gate tube</p>	<p><b>2</b> <b>G2</b></p>  <p>Side gate tube</p>	<p><b>3</b> <b>G3</b></p>  <p>Gate tube</p>
<p><b>4</b></p>  <p>Handrail</p>		
<p><b>5</b> For deck gate For post</p>  <p>Bracket</p>		
<p><b>6</b></p>  <p>Self-closing hinge</p>	<p><b>7</b></p>  <p>Lock</p>	
<p><b>8</b> <b>M4.8x25mm</b></p>  <p>Self drilling screw</p>	<p><b>9</b> <b>M5x16mm</b></p>  <p>Countersunk bolts</p>	

**10**

**M5x20mm**



Self tapping screws

**11**

**M5x12mm**



Hex bolts

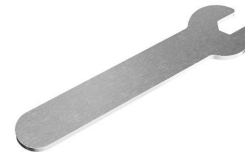
**12**

**M5x16mm**



Round head bolts

**13**



M5 hex wrench

**14**



M5 tap

**15**



5mm-Allen wrench

**16**



1/8" Socket wrench

**17**



Adhesive washer

**18**



Hole cap

**19**



End cap

**20**

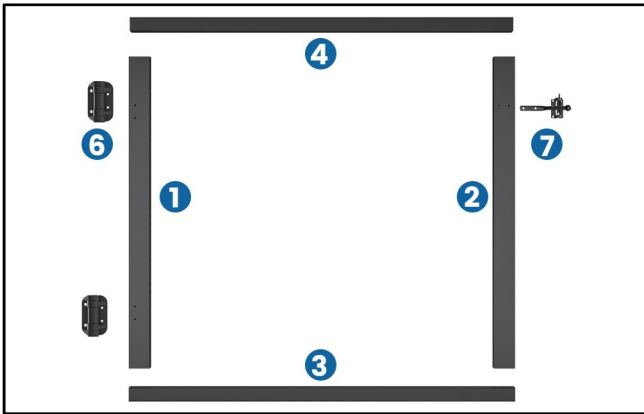
**CB40+CR07**



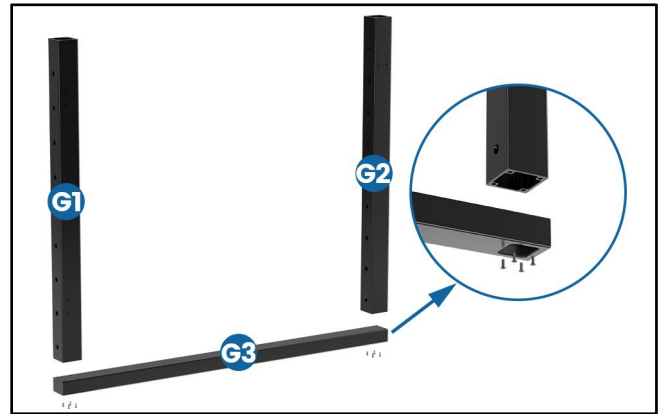
Cable railing kit with wire rope

# 4. Installation Steps

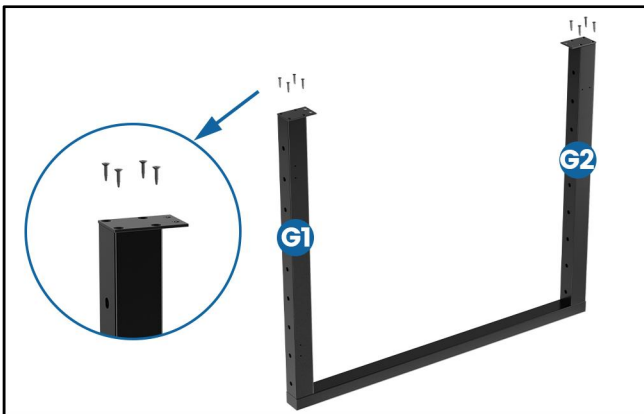
## 4.1 Assemble the gate frame



**Step 1** - Place all items as picture shown, make sure pre-drilled holes of side gate tube-G1 ① and side gate tube-G2 ② match to self-closing hinge ⑥ and lock ⑦ holes.



**Step 2** - Fix the side gate tube-G1 ① from the bottom holes of side gate tube-G3 ③ with M4.8x25mm self drilling screws ⑧. Do the same to fix the G2 ②.



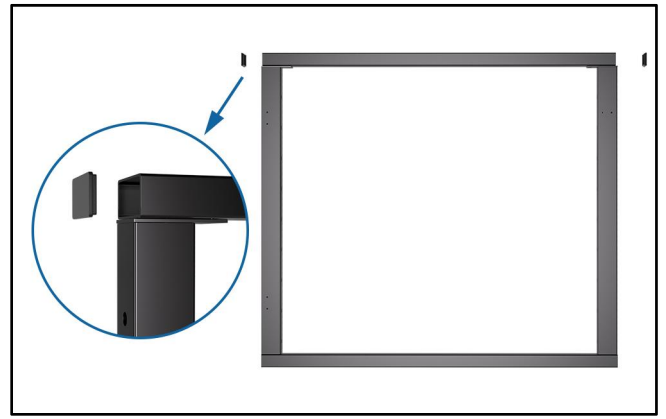
**Step 3** - Fix the bracket (for deck gate) ⑤ to the G1 ① and G2 ② with M4.8x25mm self drilling screws ⑧.



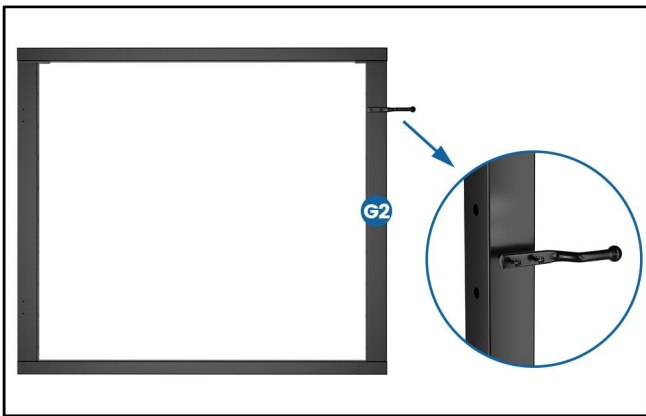
**Step 4** - Use M5x16mm countersunk bolts ⑨ to fix the handrail ④ to each bracket (for deck gate) ⑤.



**Step 5** - Tighten M5x12mm hex bolts **11** from the side of the post with M5 hex wrench **13** to fix handrail to bracket.

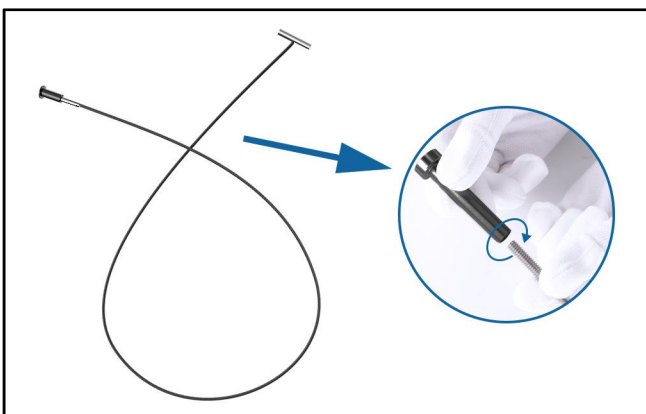


**Step 6** - Install end caps **19** on both sides of the handrail **4**.

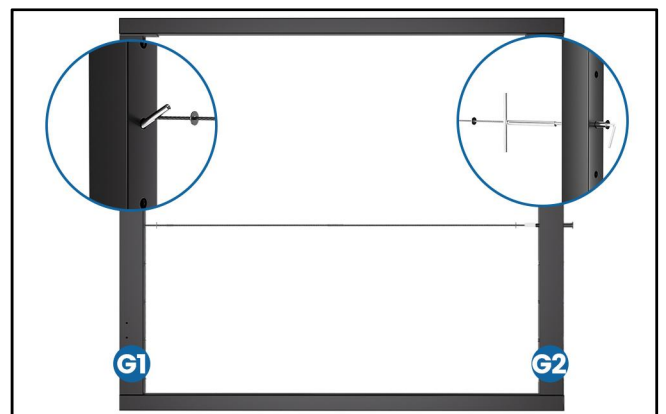


**Step 7** - Use M5x16mm round head bolts **12** to install the lock **7** on the side gate tube-G2 **2**.

#### 4.2 Install cable infillings



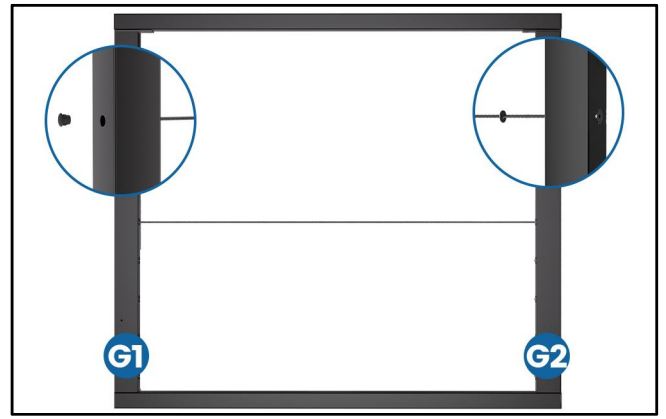
**Step 1** - Loosen the tensioner **20**.



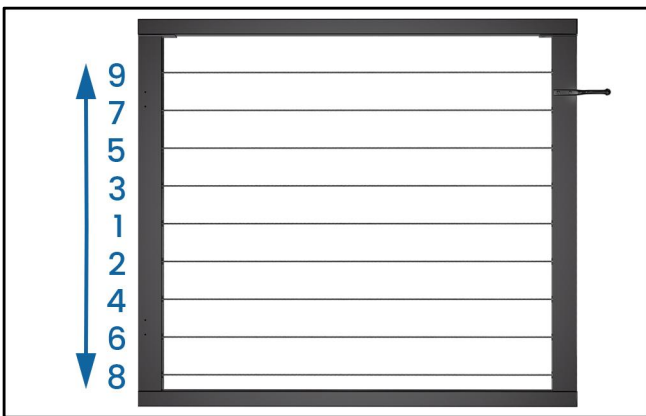
**Step 2** - Pass adhesive washers **17** through the wire rope **20**.



**Step 3** - Tighten the tensioner **20** with the Allen wrench **15** and socket wrench **16**.

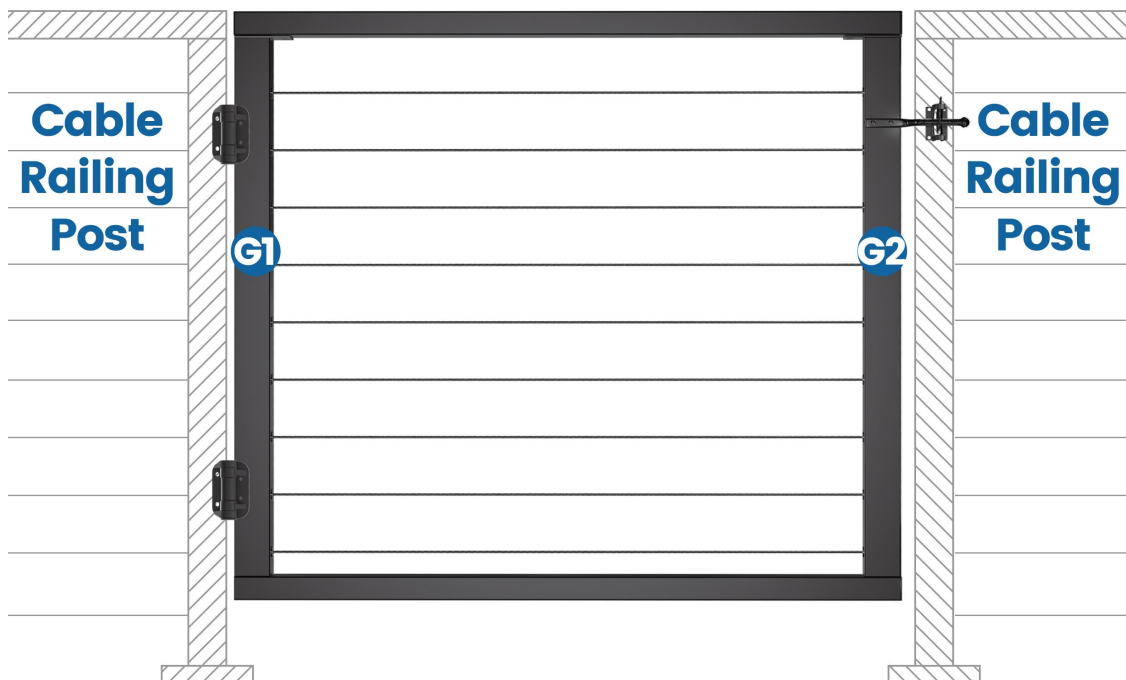


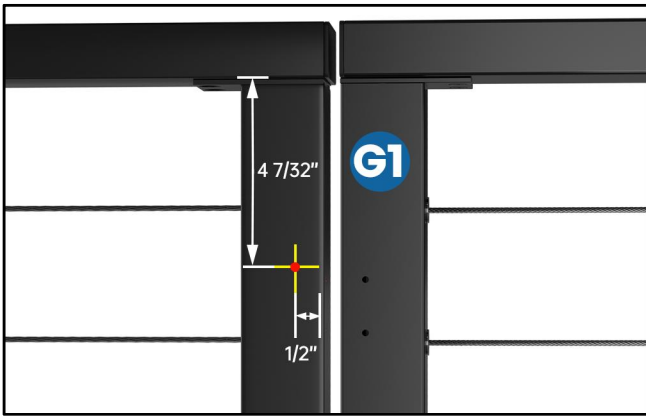
**Step 4** - Stick the washer to G2 **2** and install post hole cap on the other side of the G1 **1**.



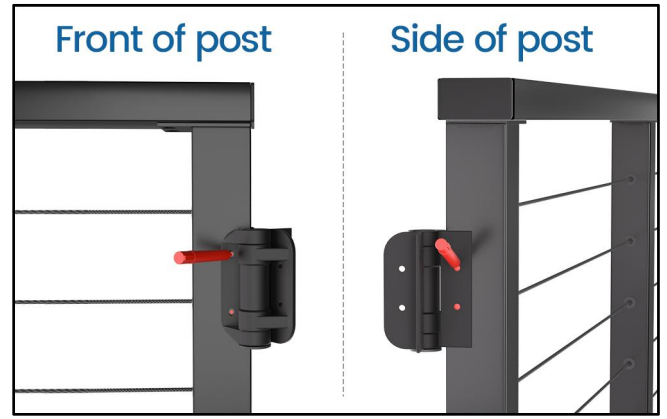
**Step 5** - Follow the sequence to install other cable infillings **20**.

### 4.3 Drill the posts (not included)

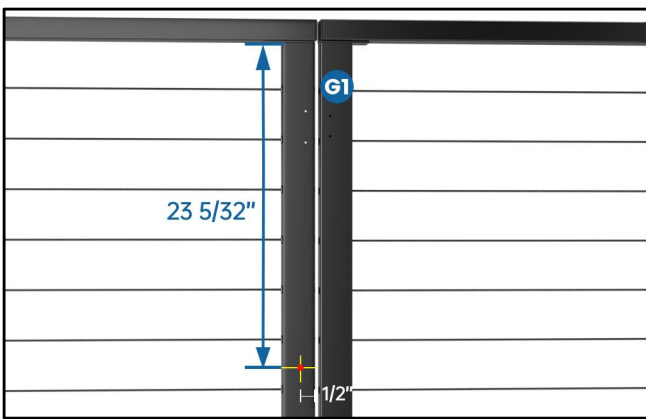




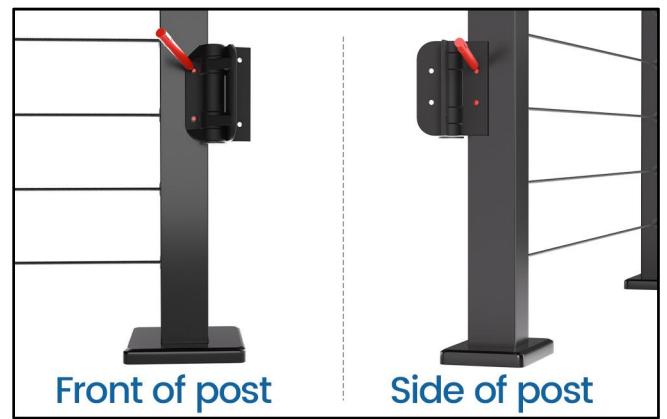
**Step 1** - Mark the hole position on your post for installing the self-closing hinge **6**.



**Step 2** - Place the hinge **6** and mark the remaining holes.



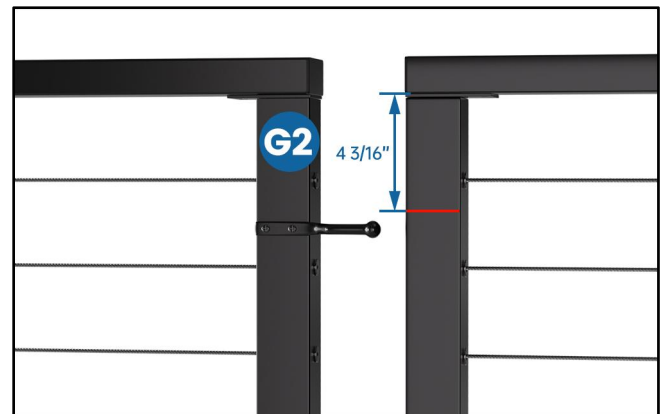
**Step 3** - Mark the hole position on your post for installing the lower hinge **6**.



**Step 4** - Place the hinge **6** and mark the remaining holes.

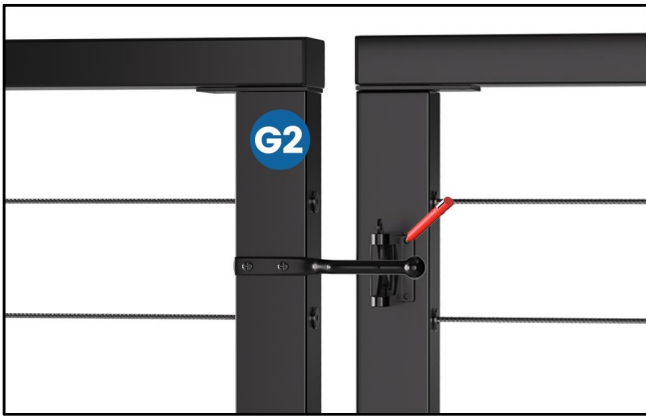


**Step 5** - Use the punch to make an impression on the marked points of the two hinges, then tap and drill the holes with the M5 tap **14**.



**Step 6** - Mark the range of horizontal holes on the post for installing the lock **7**.



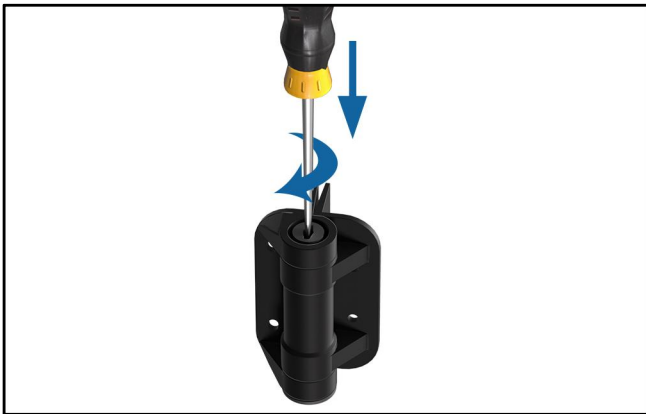


**Step 7** - Mark hole positions on your post.

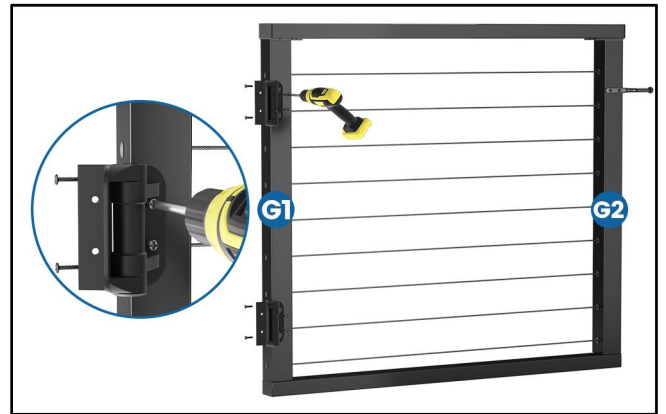


**Step 8** - Use the punch to make an impression on the marked points, then tap and drill the holes with the M5 tap **14**.

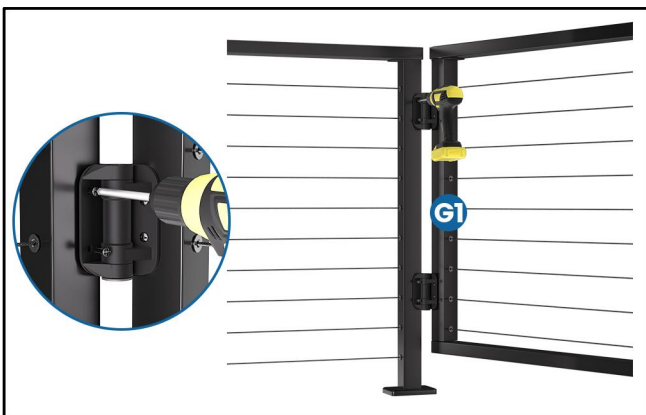
#### 4.4 Install the deck gate



**Step 1** - Press and turn the self-closing hinge **6**.



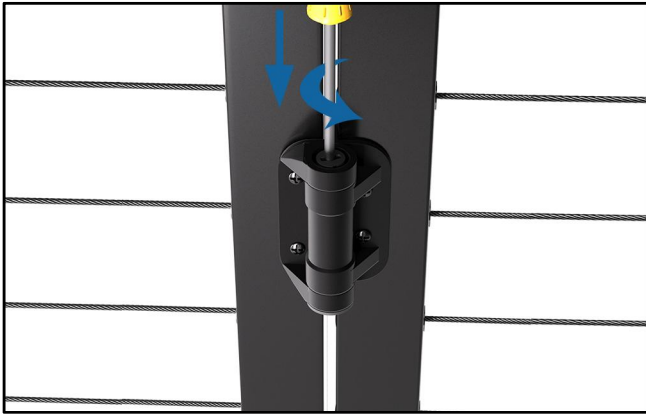
**Step 2** - Install the hinge **6** to the pre-drilled holes on the front and sides of the G1 **1** with M5x16mm round head bolts **12**.



**Step 3** - Fix the hinges **6** to the front and side of the post with M5x16mm round head bolts **12**.



**Step 4** - Fix the lock **7** to the post with M5x16mm round head bolts **12**.



**Step 5** - Use the screwdriver to press and turn the self-closing hinge **6**.

Please note that installation videos are available on our product pages for further details if needed.

## 5. Tips

- (1) Please note that this deck gate adapts for 36" railing systems.
- (2) Please plan the deck gate position in your cable railing in advance.
- (3) Before installation, please double check the positions of the hinges and bolts. The hinges should be on the side of the G1 gate tube and the lock should be on the side of the G2 gate tube.
- (4) Please follow the installation steps to finish your project.
- (5) It is suggested to get a partner to install.

## 6. Free design service

We offer custom cable railing design service for free. If you are a beginner or not sure about how to do it, please reach us. Our experts can do all the planning, designing and budget work for you without extra charge.

## 7. About Muzata

Muzata has helped millions of families with their cable railing projects during the past year. We believe that home renovation should be easy and affordable. So we work with every effort to provide quality products and professional service, to make Muzata a reliable brand.

---

---

Follow us

---

---



@Muzata railing



@muzata\_official



@muzata\_official



@muzata\_official