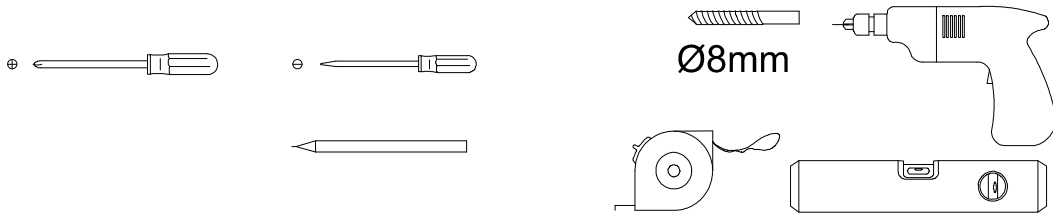


Towel Warmer Installation Instruction

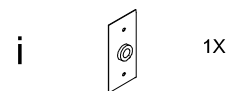
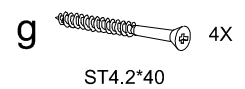
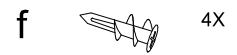
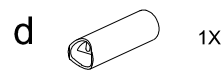
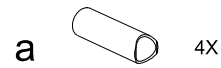
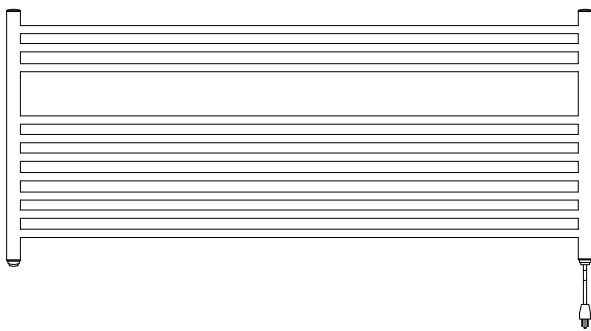
1-4

Tools required



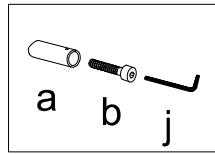
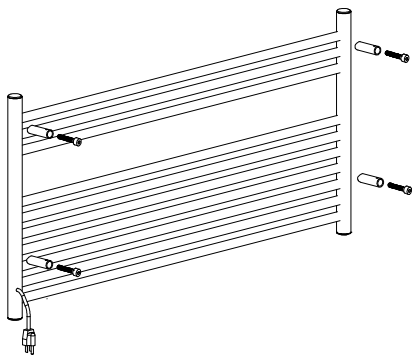
Installation instruction

- Review instructions carefully before installation
- Installation should be completed by a suitably qualified person
- Please dispose of packaging in a responsible manner



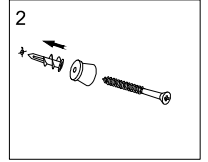
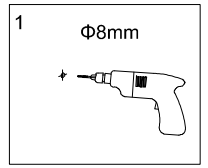
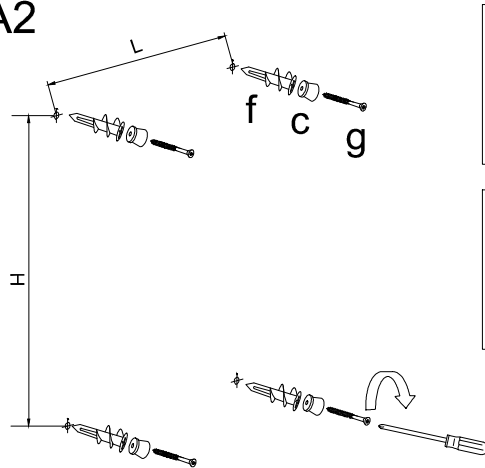
Plug in installtion

A1



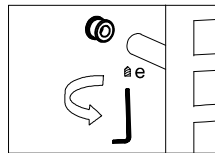
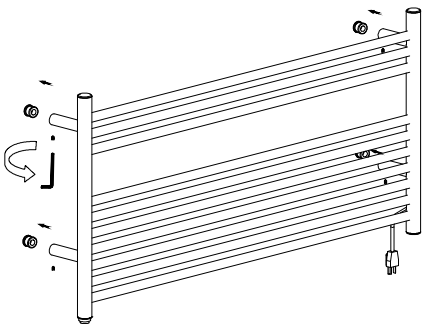
Insert M8*20 screw (b) to connecting tube(a),
Using M8*20 screw (b) attach the tube(a) to the nut on the back of the frame with screwdriver

A2



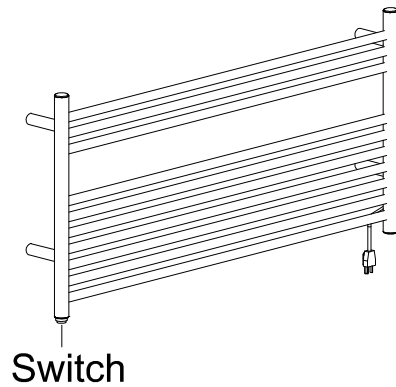
Drill the holes and insert the plastic screw(f) into the wall, fix the support after (g) add 'or a hollow wall anchor if there is no stud or backer board

A3



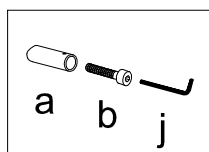
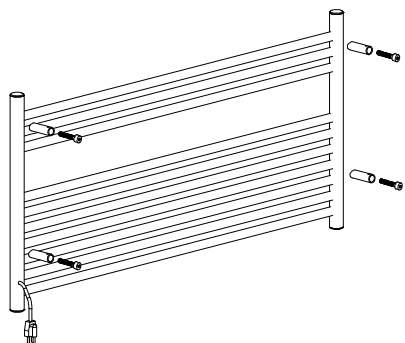
Tighten all the screws (e) to the mounting tube (a) with allen key(j)

A4



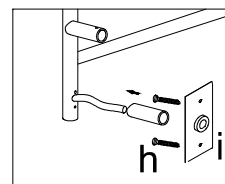
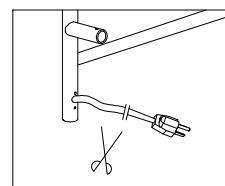
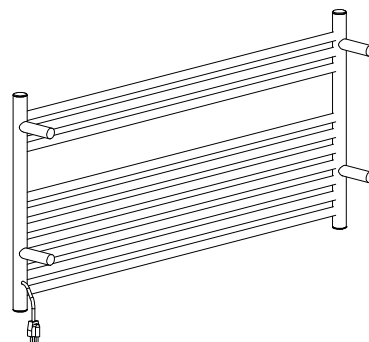
Hard wired installtion

B1



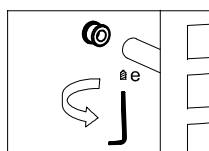
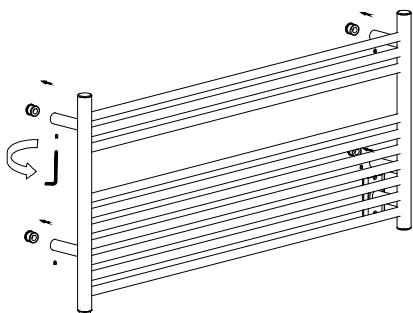
Insert M8*20 screw (b) to connecting tube(a),
Using M8*20 screw (b) attach the tube(a) to the nut on the back of the frame with screwdriver

B2



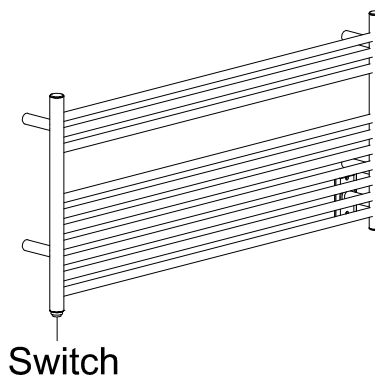
All electrical connections in the junction box must be performed by a fully qualified electrician.

B3



Tighten all the screws (e) to the mounting tube (a) with allen key(j)

B4



Operation and maintenance instruction

- After installation, connect the electric power and turn on the switch. The indicator light will show blue and the towel warmer will start to work.
- Turn off the switch when the towel warmer is not in use. The indicator light will turn off and the towel warmer will stop working.
- Clean the towel warmer with a soft dry towel.
- This unit has been designed to run continuously.

Voltage :120VAC Rated Frequency :60HZ-200W

Warning:

- 1.Please DO NOT connect the unit to electricity supply before completely reading and understand the product manual.
- 2.This product is intended only for domestic use and do NOT put the product into the water or in sauna room, shower cubicle and steam room.
3. This product is only for textile fabrics that washed by water.
- 4.In order to avoid a hazard for infant or child, this appliance should be installed at the place that is at least 39 inches above the floor.
- 5.If the wiring was damaged, it must be replaced by manufacturer or service agent or a qualified person to avoid electric shock hazard
- 6.The surface temperature is high when towel warmer is working, PLEASE BE CAREFUL!
- 7.For safety, please do NOT sit, stand, lean against, hang on the product or collide in avoid any damage or collision on the surface of product and influence the function or life of product.
- 8.Elderly and physically / mentally disabled persons should be supervised when this towel warmer is in operation
- 9.If there's any problem, please turn off and contact the supplier where it was purchased. **WARNING SHOCK HAZARD.** Please do not attempt to make repairs to the electrical part of this product.
- 10.Please DO ensure that your hand is dry when unplugging the cord.