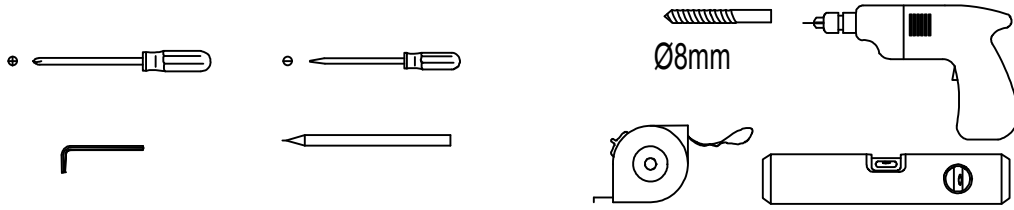


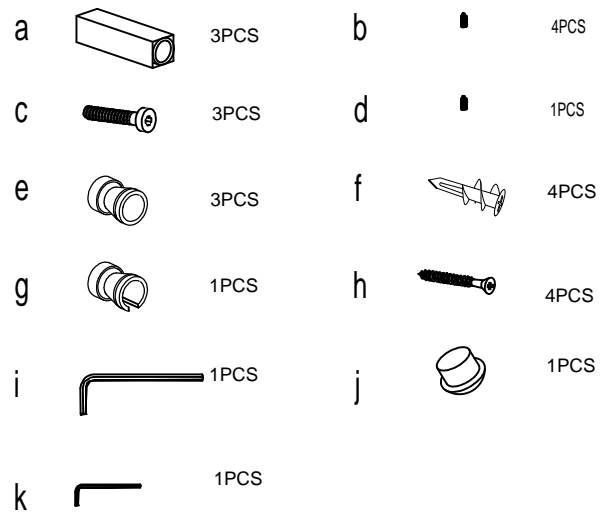
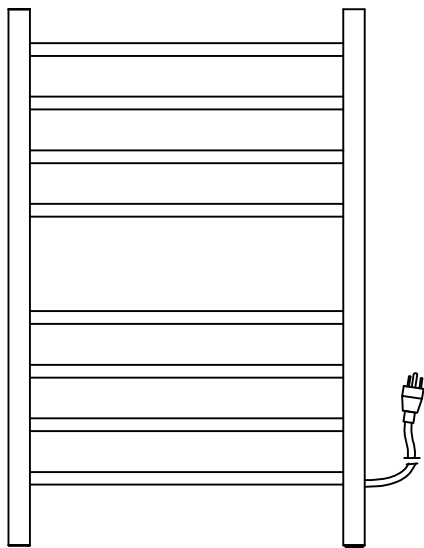
R68033 Towel warmer Installation Instruction

tools required

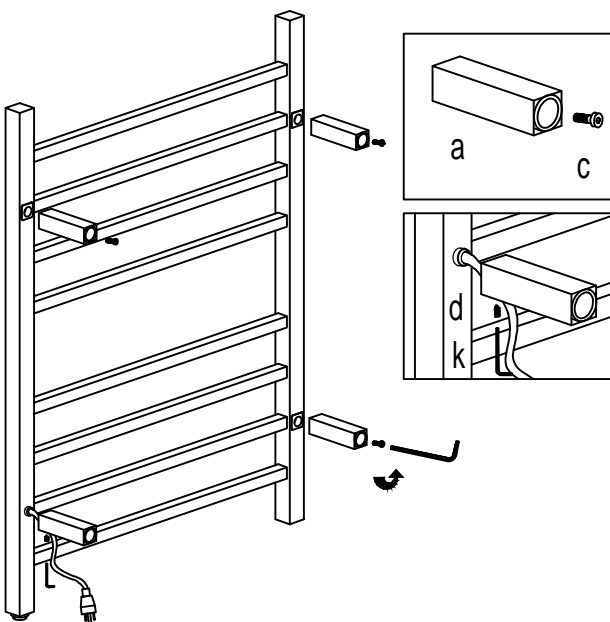


Installation instruction

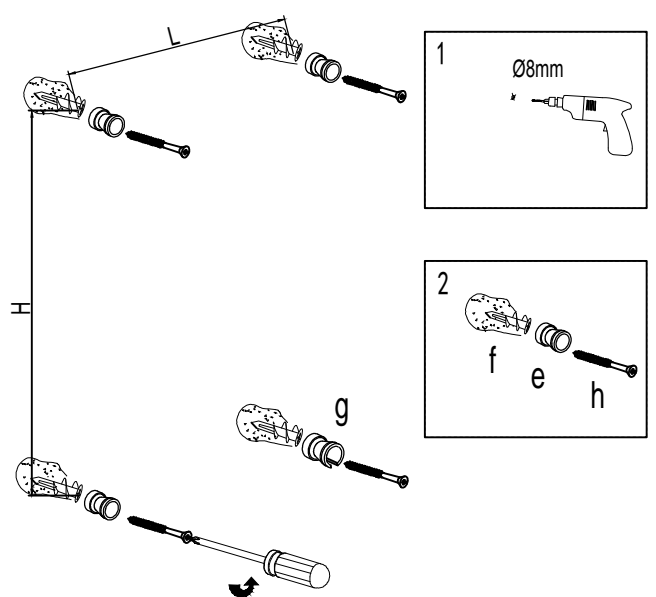
- Review instructions carefully before installation
- installation should be completed by a suitably qualified person
- please dispose of packaging in a responsible manner



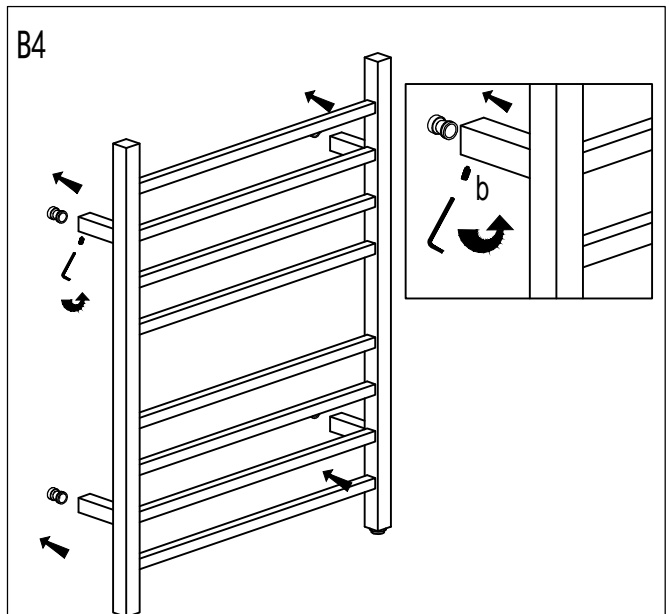
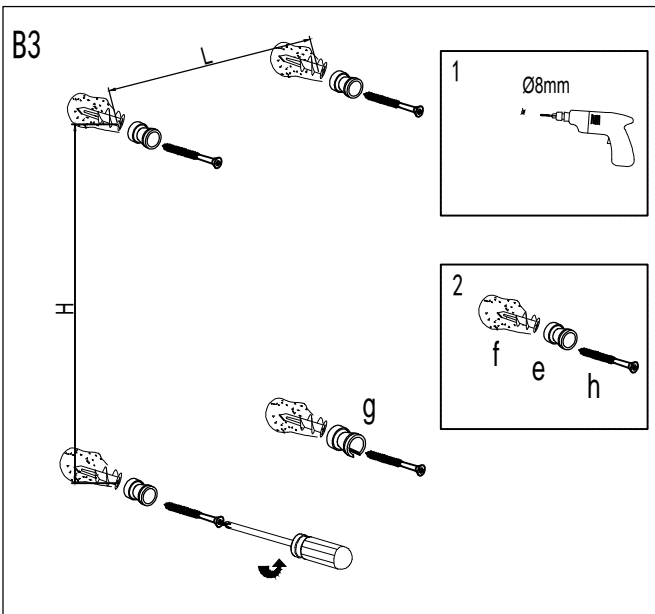
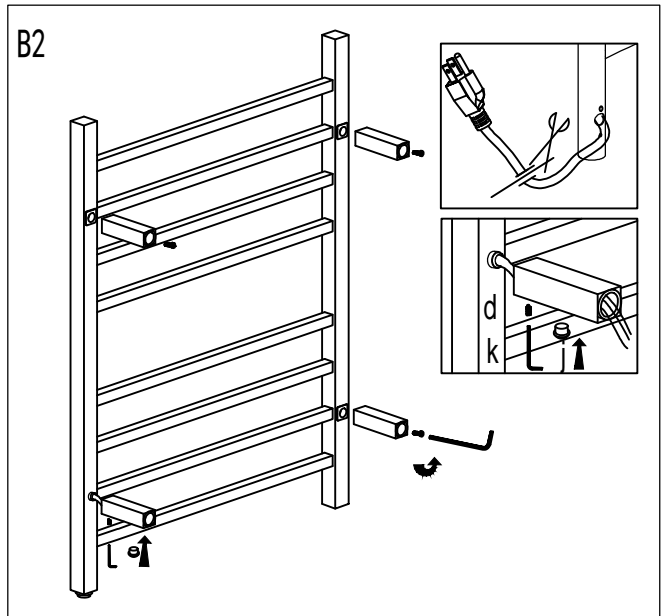
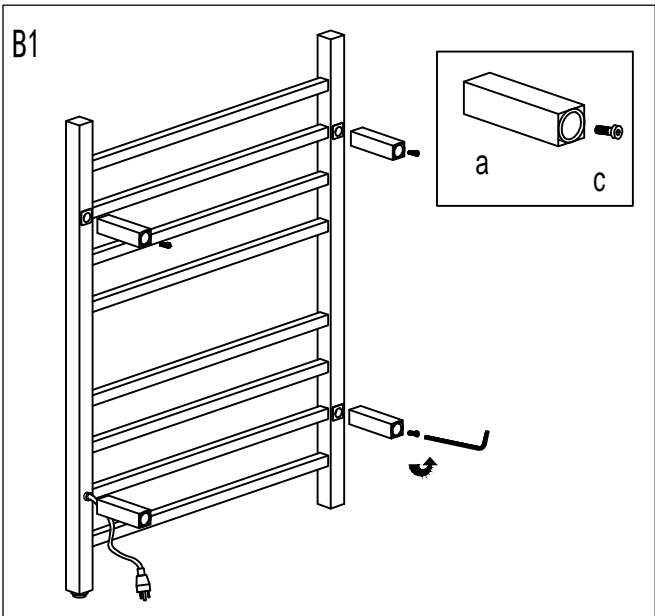
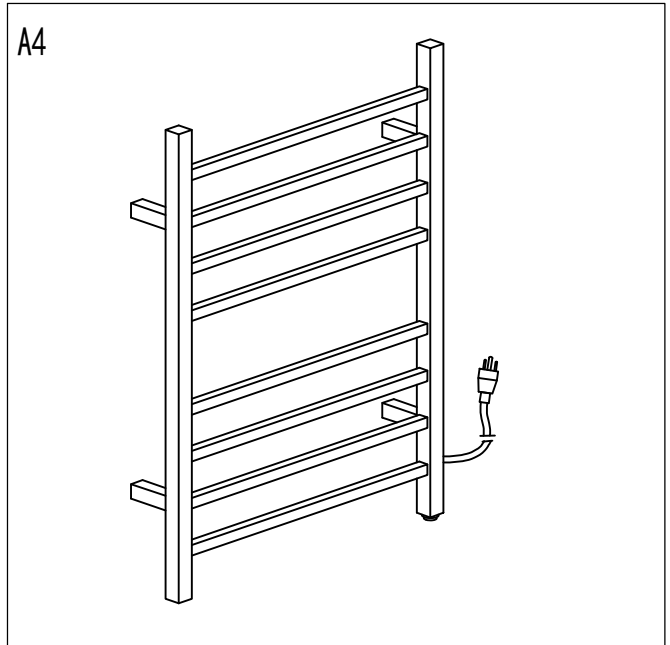
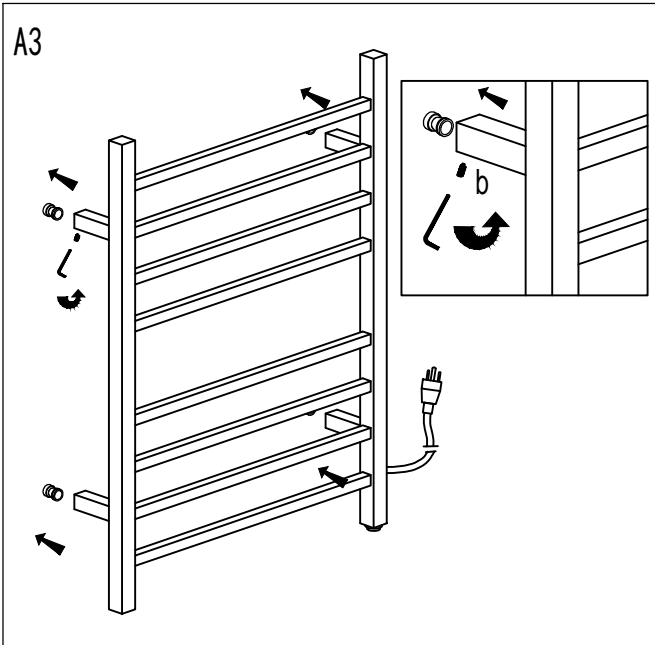
A1



A2



R68033 Towel warmer Installation Instruction



R68033 Towel warmer Installation Instruction

Operation and maintenance instruction

- After installation, connect the electric power and turn on the switch. The indicator light will show red and the towel warmer will start to work.
- Turn off the switch when the towel warmer is not in use. The indicator light will turn off and the towel warmer will stop working.
- Clean the towel warmer with a soft dry towel.
- This unit has been designed to run continuously.

Voltage :120VAC Rated Frequency :60HZ-120W

Warning:

1. Please DO NOT connect the unit to electricity supply before completely reading and understand the product manual.
2. This product is intended only for domestic use and do NOT put the product into the water or in sauna room, shower cubicle and steam room.
3. This product is only for textile fabrics that washed by water.
4. In order to avoid a hazard for infant or child, this appliance should be installed at the place that is at least 39 inches above the floor.
5. If the wiring was damaged, it must be replaced by manufacturer or service agent or a qualified person to avoid electric shock hazard
6. The surface temperature is high when towel warmer is working, PLEASE BE CAREFUL!
7. For safety, please do NOT sit, stand, lean against, hang on the product or collide in avoid any damage or collision on the surface of product and influence the function or life of product.
8. Elderly and physically / mentally disabled persons should be supervised when this towel warmer is in operation
9. If there's any problem, please turn off and contact the supplier where it was purchased. WARNING SHOCK HAZARD. Please do not attempt to make repairs to the electrical part of this product.
10. Please DO ensure that your hand is dry when unplugging the cord.
11. This product must be installed by a qualified electrician in accordance. Switch off the electrical supply at the mains before installation and maintenance.

Thermostat instruction

1. Functions:

- a) Power: AC120V~ / 60Hz
- b) Temperature setting range: 50, 60, 70, 80°C
- c) BOOST mode: settings of 1 to 8 hours in 1 hour increments
- d) Modes: constant heating mode, BOOST mode

2. Display instruction

2.1 Shutdown state: Nothing on the display



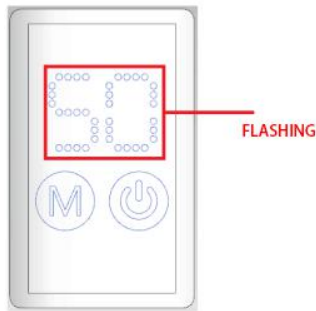
2.2 Constant heating mode: adjustable temperature range is 50 to 80°C, in increments of 10°C




2.3 BOOST mode: time setting range 1 to 8 hours in , increments of 1 hour





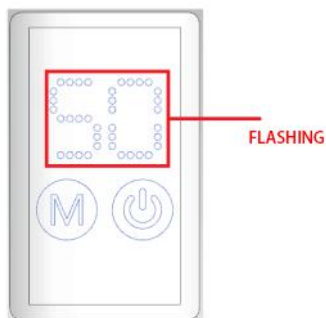
2.4 Heating status: the device is turned on and LED will be flashing





3. Operating Instructions

3.1 To turn on and off: press  to turn on the device and enter constant heating mode.

3.2 Temperature setting to enter constant temperature mode, press , LED flashing press , temperature can be set with 10 °C increments.

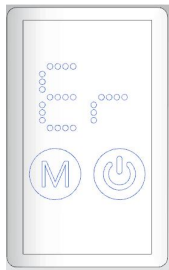


Towel warmer start working after 5 seconds without further inputs, and the LED will stop flashing. 3.3 BOOST mode: During constant heating mode, after temperature setting, press  and hold on for 3 seconds to enter


BOOST mode. Defaults heating time is 2 hours with maximum setting temperature . Press  to add heating time with increments of 1 hour, and the LED will blink. After setting, the LED will stop blinking and towel warmer start working after 5 seconds without any further inputs. Towel warmer will automatically shut down when time is over.


4. Error display

If environment temperature falls below -10°C or goes higher than 85°C , LED will display



5. If temperature was set with at 70°C , then maximum surface temperature will below than 70°C .

6. If timer was set for 2 hours, the towel warmer will turn off after 2 hours. Please press  to re-start.

7. After plug- in or hardwired installation, towel warmer need to be turned off by the on/off switch. Please press  to start turn it on.



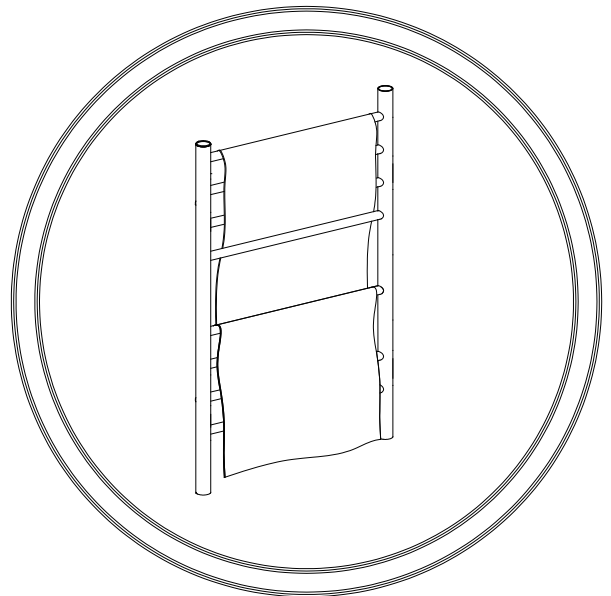
**This product can only
be used at 120 Voltage**

CAUTION

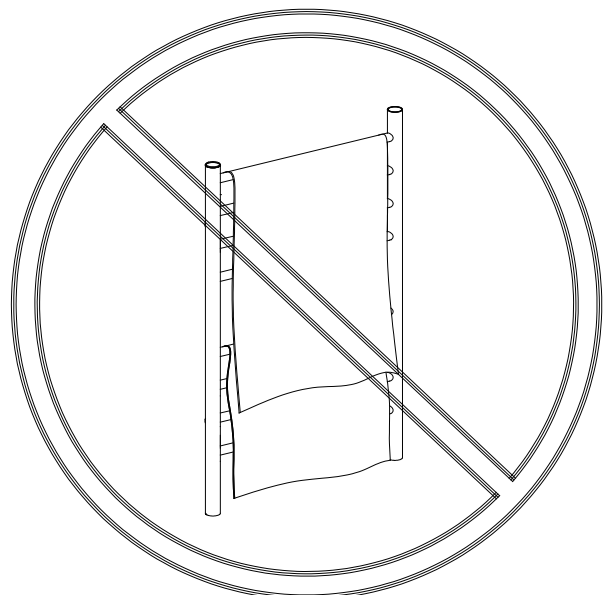
Overlapping towel may excessively increase towel warmer temperature.

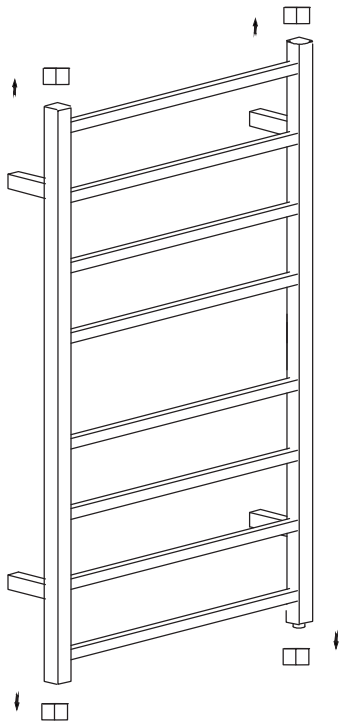


**PROPERLY HANG
TOWELS.**

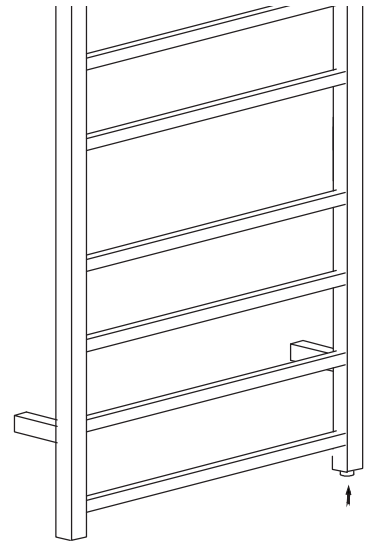


**DO NOT OVERLAP
TOWELS.**

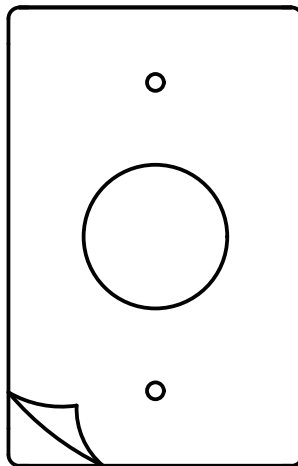




Remove 4 protective caps before using.



Turn on switch to start using.



Remove protective film of cable box panel before installation (if applicable).

50 °C = 122 °F

60 °C = 140 °F

70 °C = 158 °F

80 °C = 176 °F