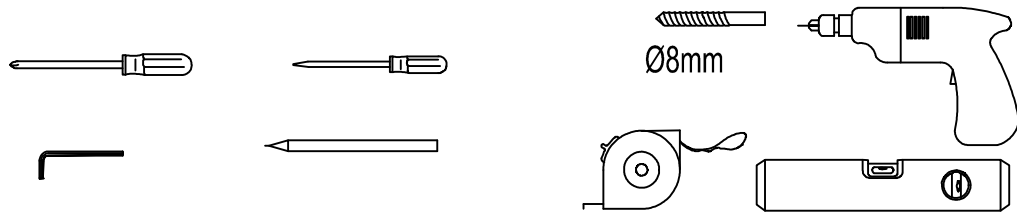


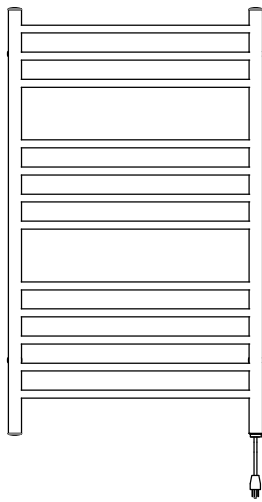
Towel warmer Installation Instruction

tools required



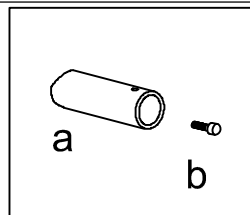
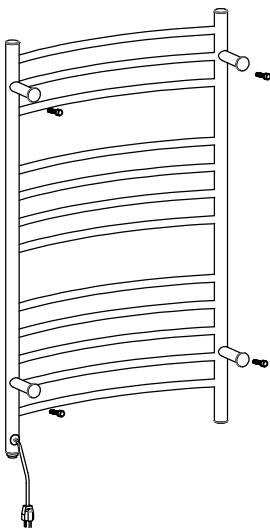
Installation instruction

- Review instructions carefully before installation
- installation should be completed by a suitably qualified person
- please dispose of packaging in a responsible manner



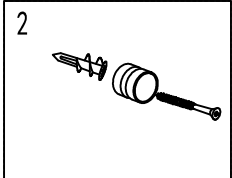
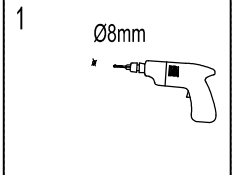
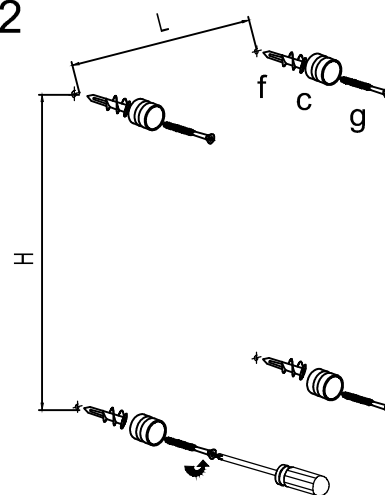
a		4X	f		4X
b		4X	g		4X
c		4X	i		1X
d		1X	j		2X
e		4X	k		1X

A1



Insert M8*20 screw (b) to connecting tube(a),
Using M8*20 screw (b) attach the tube(a) to the nut on the back of the frame with screwdriver

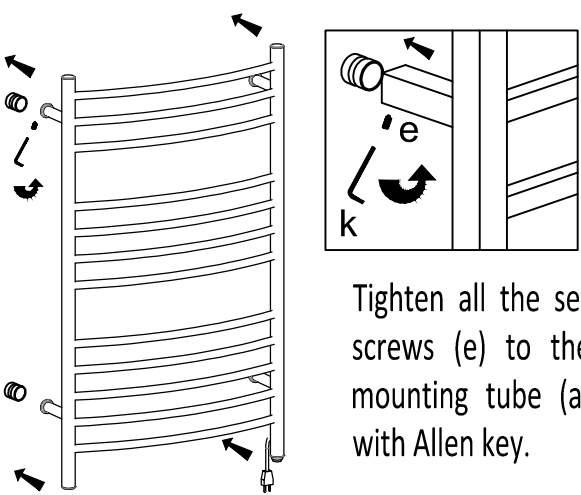
A2



Drill the holes and insert the plastic screw(f) into the wall, fix the support after (g) add 'or a hollow wall anchor if there is no stud or backer board

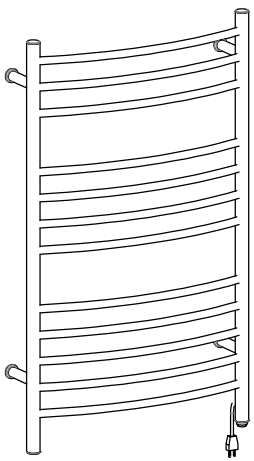
Towel warmer Installation Instruction

A3

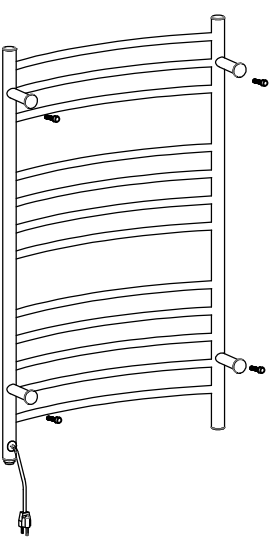


Tighten all the set screws (e) to the mounting tube (a) with Allen key.

A4

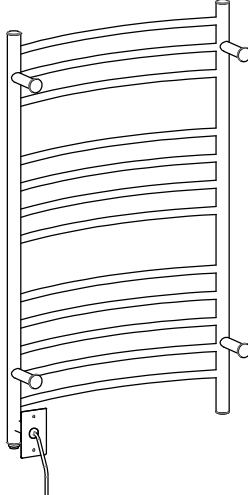


B1



Insert M8*28 screw (b) to connecting tube(a),
Using M8*28 screw (b) attach the tube(a) to the nut on the back of the frame with screwdriver

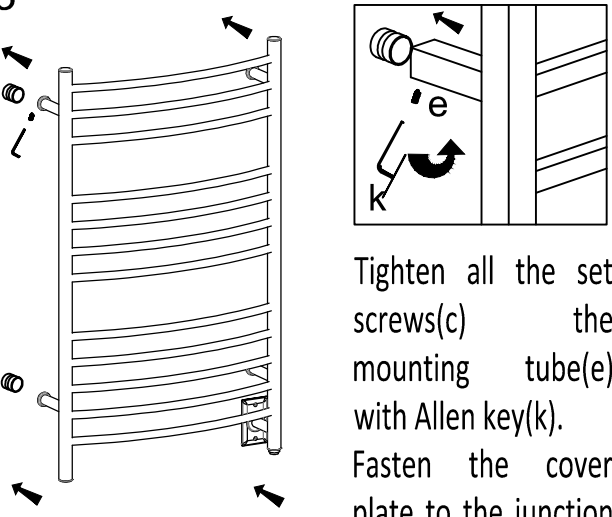
B2



Decorative cover

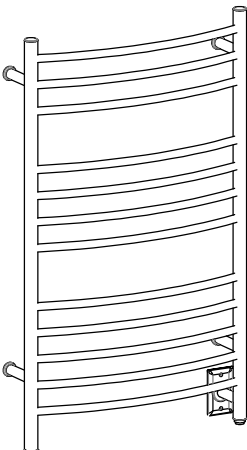
Cut cable and leave its length as 250mm, take off the plate, go through the cable into the tube(d) and plate(i), fix it to the back of the frame with M5*15 screw(N).

B3



Tighten all the set screws(c) the mounting tube(e) with Allen key(k).
Fasten the cover plate to the junction box with the screw(j)

B4



Towel warmer Installation Instruction

3-3

Operation and maintenance instruction

- After installation, connect the electric power and turn on the switch. The indicator light will show red and the towel warmer will start to work.
- Turn off the switch when the towel warmer is not in use. The indicator light will turn dark and the towel warmer will stop working.
- Clean the towel warmer with a soft dry towel.
- This unit has been designed to run continuously.

Voltage :120VAC Rated Frequency :60HZ-140W

Warning:

- 1 .Please DO NOT connect the unit to electricity supply before completely reading and understanding the product manual.
- 2.This product is intended only for domestic use and do NOT put the product into the water or in sauna room, shower cubicle and steam room.
3. This product is only for textile fabrics that washed by water.
- 4.In order to avoid a hazard for infant or child, this appliance should be installed at the place that is at least 39" above the floor.
- 5.If the wiring is damaged it must be replaced by manufacturer or service agent or a qualified person to avoid electric shock hazard
- 6.The surface temperature is high when towel warmer works, PLEASE BE CAREFUL !
- 7.For safety, please do NOT sit, stand, lean against ,hang on the product or collide in avoid off any damage or collision on the surface of product and influence the function or life of product.
- 8.Elderly and physically/mentally disabled persons should be supervised when this towel warmer is in operation
- 9.If a problem should arise with this product, please turn off and contact the store where it was purchased. WARNING SHOCK HAZARD. Please do not attempt to make repairs to the electrical part of this product
- 10.Please DO ensure that your hand is dry when unplugging the cord.