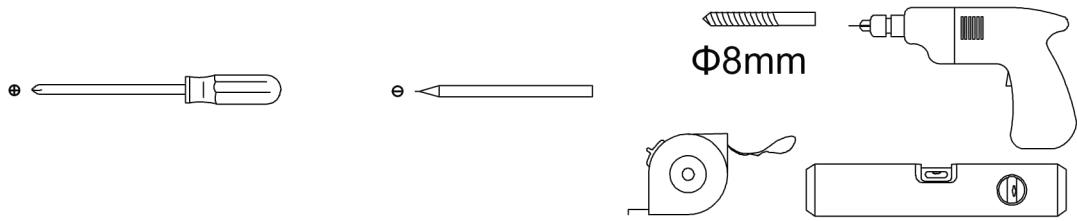
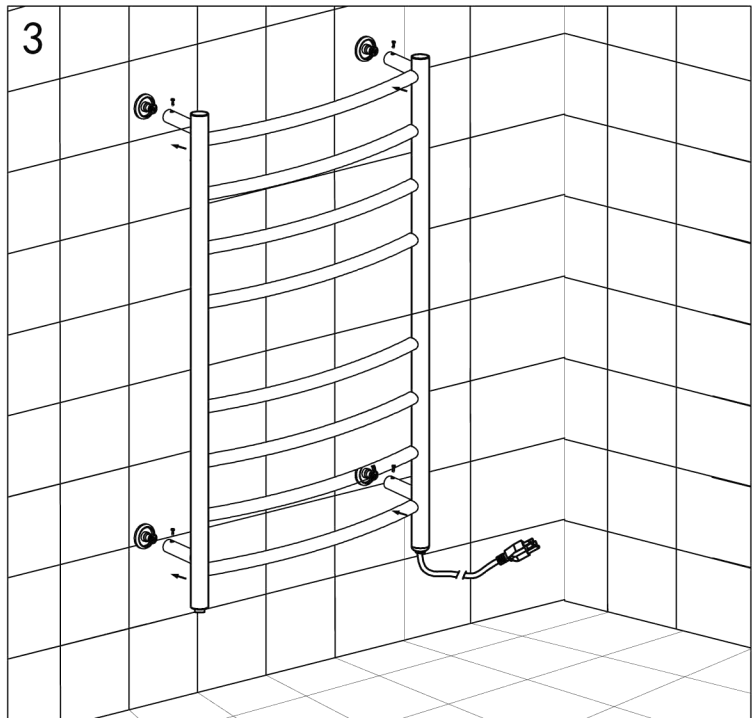
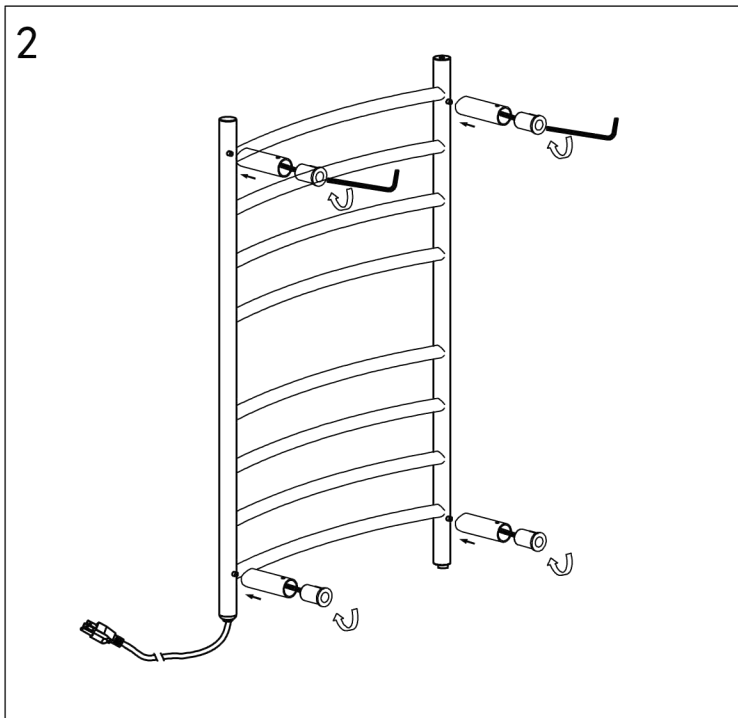
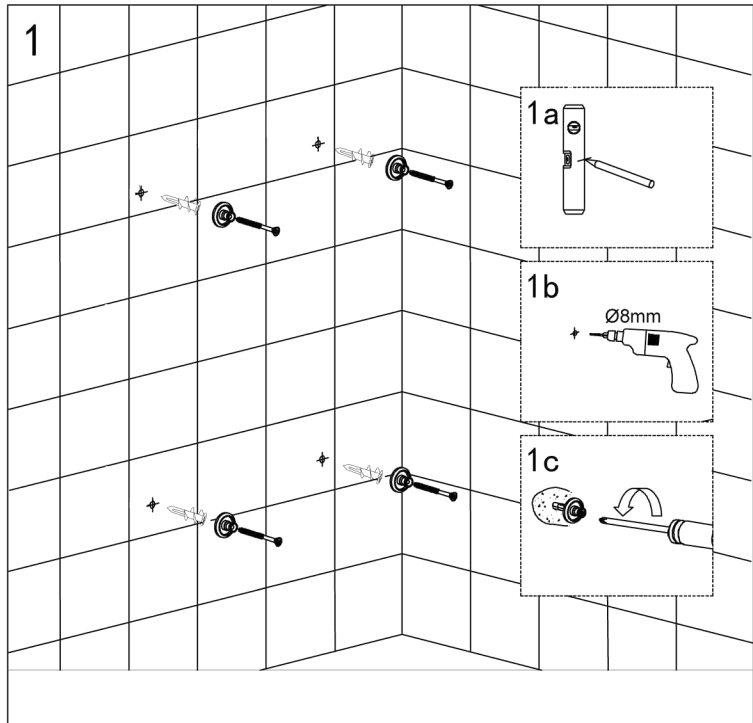
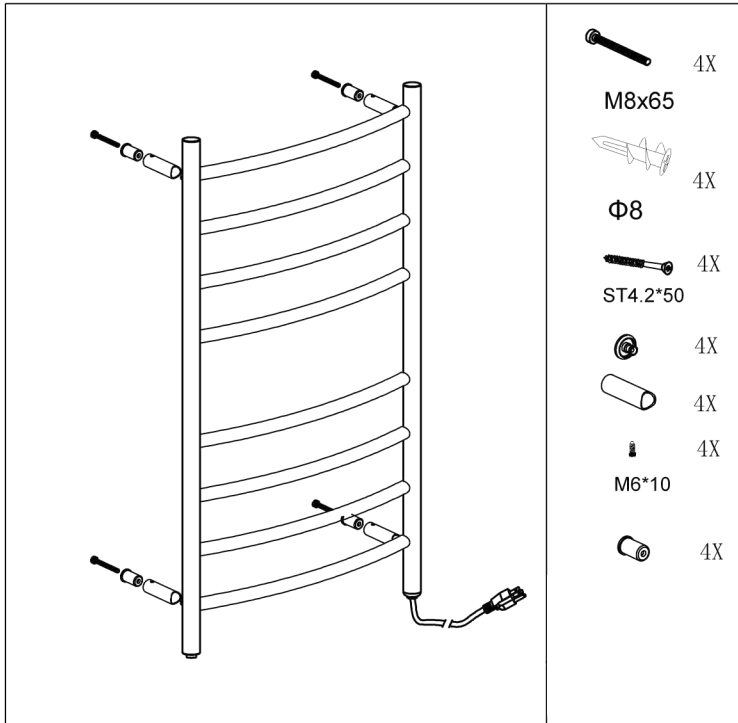


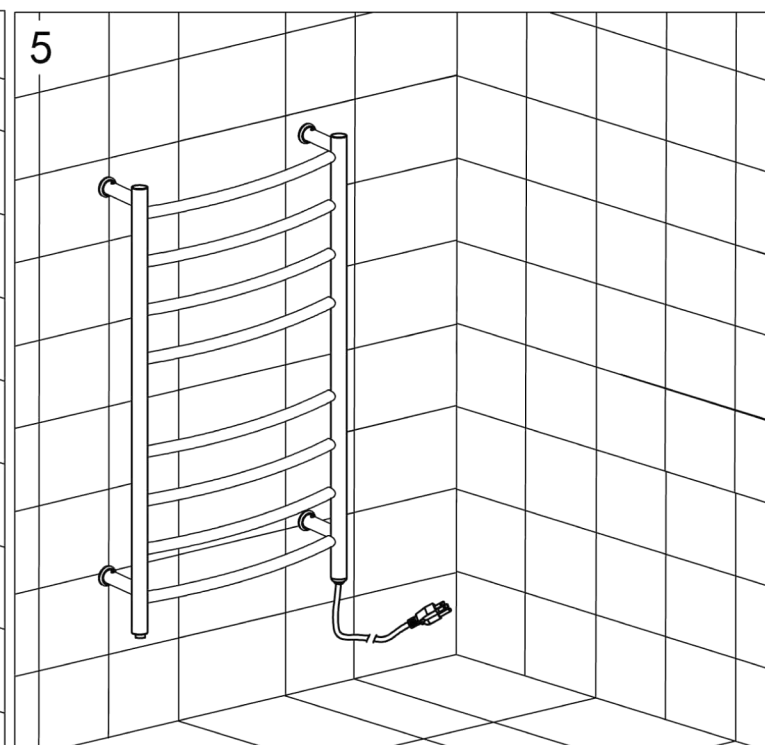
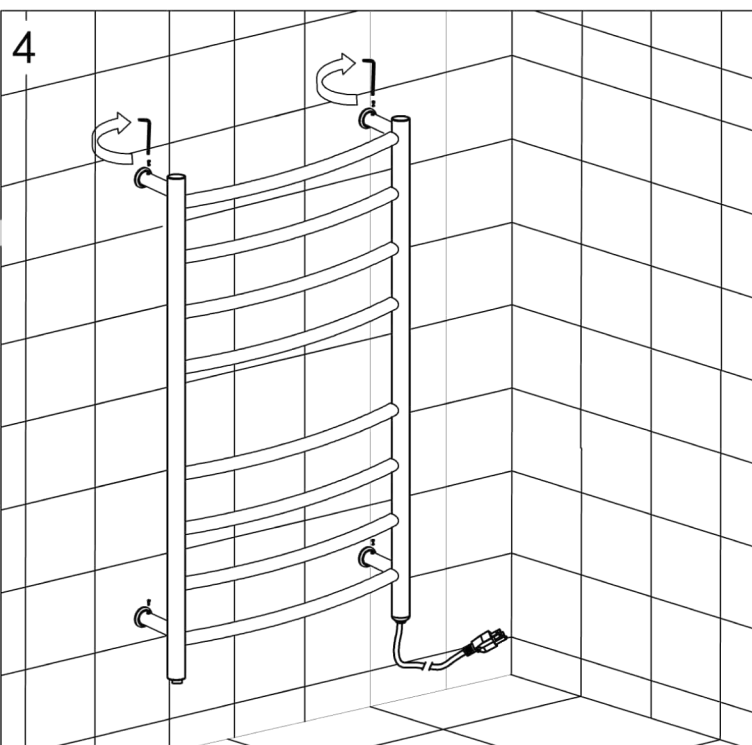
Tools required



# Installation instruction

- Review instructions carefully before installation
- Installation should be completed by a suitably qualified person
- Please dispose of packaging in a responsible manner





## Operation and maintenance instruction

- After installation, connect the electric power and turn on the switch. The indicator light will show red and the towel warmer will start to work.
- Turn off the switch when the towel warmer is not in use. The indicator light will turn dark and the towel warmer will stop working.
- Clean the towel warmer with a soft dry towel.
- This unit has been designed to run continuously.
- All wiring must be in accordance with the National Electrical Code(NEC) and Canadian Electrical Code(CEC)and should be performed by a licensed professional who is certified to do electrical wiring.
- Never place your Towel Warmer inside a shower,tub enclosure,sauna or steam room
- Never attempt to warm more than two(2) towels on the Towel Warmer at a time.Overloading the Towel Warmer will cause the unit to become extremely hot and may result in a burn if touched.

**Voltage :120VAC    Rated Frequency :60Hz -115W**

### Caution:

- 1.To provide continued protection against risk of the electric shock,connect to properly grounded outlets only.
- 2.Do not immerse in water.
- 3.Household use only.

### Attention:

- \* Check that the electricity supply system is provided with a differential omni-pole safety cut-out connected directly to the socket.
- \* The appliance is not for use by people(including children)with reduced physical sensorial or mental capacities,or with no experience or knowledge of the appliance,unless they are accompanied by a person or guardian responsible for their safety or have been able to read the instructions for its use

① This product works under the condition that requiring 120 Voltage,60Hz ,the connected the socket must have ground connection.

- ② This towel warmer is intended only for drying textiles washed in water .Any other use is forbidden.
- ③ This product is intended only for domestic use and do NOT put the product into the water or in sauna room, shower cubicle and steam room.
- ④ Please do NOT connect the wire with power grid before completely read and understand the product manual.
- ⑤ The plug must connected with the socket with 10A at least , and ensure the socket with credible ground connection. Plug socket is forbidden!
- ⑥ The surface temperature is high when towel warmer works, PLEASE BE CAREFUL !
- ⑦ For safety, please do NOT sit, stand, lean against ,hang on the product or collide in avoid off any damage or collision on the surface of product and influence the function or life of product.
- ⑧ If any damage on the wire, which must be changed by manufacturer or service agent or the similar qualified people in case shock hazard.
- ⑨ Don't cut the power supply cable.
- ⑩ If any quality problem when the product works, please shut the power right away and post it to the manufacturer or service center,DO NOT DISASSEMBLE IT SELF IN CASE SHOCK HAZARD.
- ⑪ The socket-outlet and the power lines must be dimensioned in order to support the necessary load.
- ⑫ The socket-outlet must be compatible with the plug of this towel warmer.
- ⑬ The plug is provided of grounding functioning according to the standard in force.
- ⑭ Please DO ensure that your hand is dry when unplugging the cord.
- ⑮ Please unplug the power cord if this appliance keeps out of use for long time.