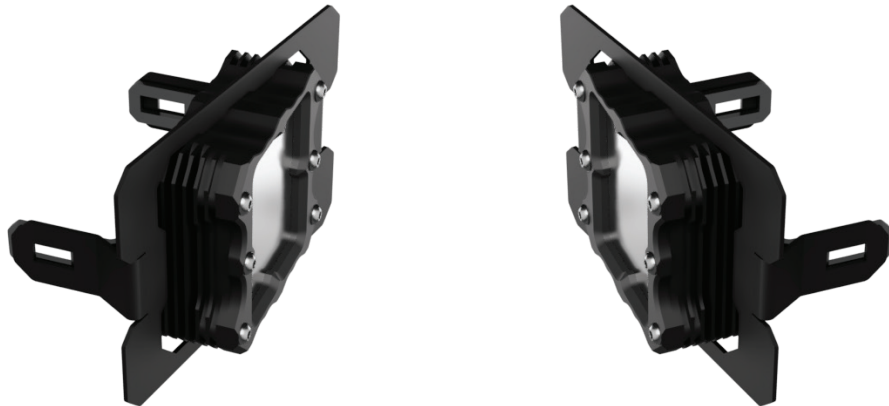


Heretic

BEYOND LUMENS

**Ford
F150 2015 -2020
Fog light installation instructions.**



Heretic
1168 West 500 North Suite 500
Centerville UT, 84014
801-725-4824
Support@hereticstudio.com

Heretic

BEYOND LUMENS

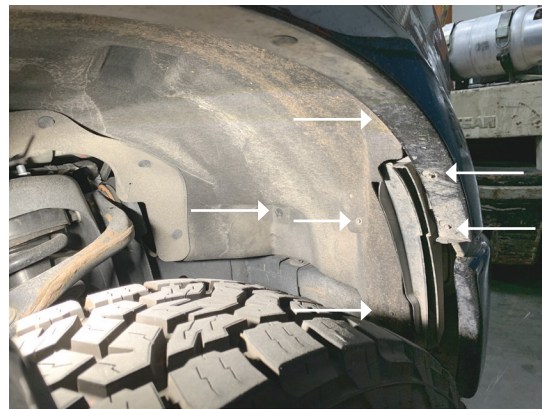
Tools Needed for install:

Basic tool set

Time Needed for install:

60-90 minutes

Step 1: Pop the hood and unhook the negative terminal on the battery to prevent accidental short circuits and fault codes from unplugging electrical components. Locate the two 7mm, three 5.5mm, and plastic retainer clips in the wheel well and remove them. One of the 5.5mm screws is located on the inside of the fender well.



Step 2: Locate one "push-in" style plastic retaining clip, and with a flat head screwdriver, remove the top piece of the clip. Once removed, remove the bottom part. Several pressure clips hold on the trim piece. Working your way from the top to the bottom and then to the exterior to remove the piece. Do not remove the trim piece all of the way. Continue to step 3.



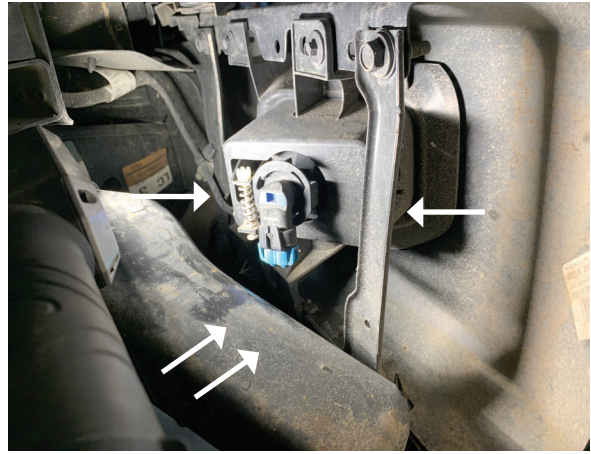
Step 3: The two clips shown in the picture are designed not to be removable and are very difficult to workaround. The clips can be removed by squeezing the flared end of the pins with a pair of pliers and pushing them back through the hole. If that method is unsuccessful, the clips can be removed from the fender flair by sliding one clip up and one clip down. The main goal of this step is to get the trim piece entirely removed to gain access to a set of 10mm bolts.



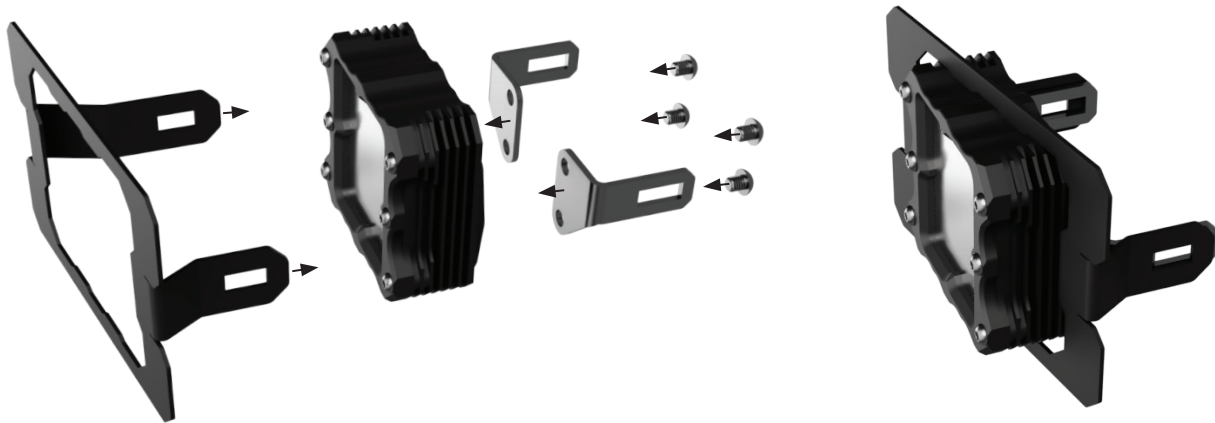
Step 4: Next, remove the shroud that is blocking access to the fog light. To do this, locate the three 10mm bolts and remove them. Next, the shroud is held in with plastic pressure clips that are orientated vertically. Using a Nylon pry tool or flat head screwdriver, release the clips by applying downward pressure on the part.



Step 5: Next, remove the shroud through the fender well. Once removed, you will have enough space to removed the fog light. The light is held in by one Philips head screw and two pressure tabs on each side. The tabs are stiff and will need to be gently pried on to release the light.



Step 6: Assemble the Quattro. Using the four m6 button head screws, attach the bracket to the back of the Quattro. Slide the Quattro into the bezel lining up the rectangular cutouts on the brackets and bezel.



Step 7: Install the Quattro into the fog light housing with the long arm of the bracket facing towards the truck's center. Secure the Quattro with the supplied carriage bolts, keeping in mind the bolt goes on the inside of the pocket and the nut goes on the outside. Adjust the Quattro to the desired angle and tighten nuts. Attach the supplied wire adapter and zip tie the excess wire away from any hot or moving parts—test functionality by turning on the factory fog lights. Once completed, reinstall all removed parts in reverse order.

Your install is now complete! Thanks for choosing Heretic!



@hereticstudio

Heretic
BEYOND LUMENS