



Instruction Menu

270 ° COMPACT AWNING

Congratulations on your purchase of the Tuff Stuff 270° Compact Awning. Your awning is designed to be mounted directly to your roof rack or aftermarket crossbars bars. It deploys and fully sets up in just a few minutes. The awning is made using the best materials and construction methods that will provide excellent protection from the elements.

WARNING

Incorrect installation or use of your awning could result in damage to the awning, serious injury or death. Please follow the installation instructions carefully to ensure proper installation on your vehicle.

It is recommended that you contact your vehicle or accessory manufacturer for specific load capacity of your roof rack or cross bars. Unfortunately, not all factory roof racks or aftermarket roof bars, can safely accommodate our 270° Compact awning.

Accessories, such as awnings, can change the normal vehicle handling. The purchaser assumes all risks and responsibilities in case of any accidents due to improper use, improper maintenance, or checking the tightness of the brackets regarding the installation of the roof rack system.

Inspection: It is recommended that you regularly check all nuts and bolts related to the mounting system of your awning and vehicle, to ensure they are tight and in good working order. Prolonged use on rough terrain will require more frequent inspections.

Structural Integrity: The 270° Compact awning is self-supported and is designed for general camping under normal conditions and is recommended that the supplied guy lines are used to provide additional stress at the end of each support arm.

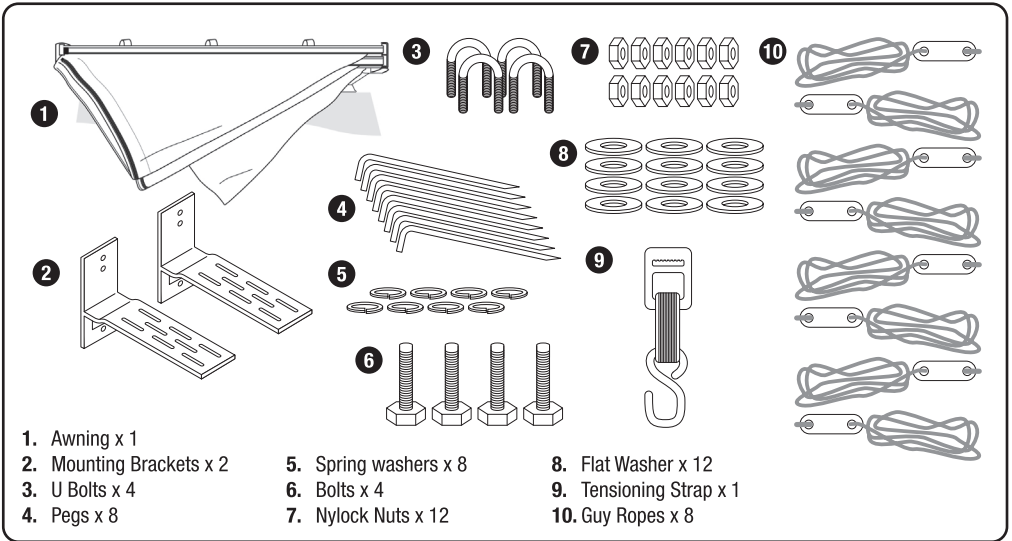
To avoid the chance of damage or injury, it is recommended that the awning should not be erected during windy conditions. We recommend closing up your awning in winds 25mph or above.

CLEANING & STORAGE

- Use cold water with a soft bristle brush, DO NOT use soaps, bleaches, or any other abrasive or harsh cleaners as this may result in damage to the fabric and/or structural supports.
- Avoid storing your awning & Walls when wet. If conditions dictate that you do; Open Awning and allow fabric to dry out as soon as possible to avoid mildew/mold

SAFETY WARNING

- KEEP ALL FLAME AND HEAT SOURCES AWAY FROM THE AWNING AND WALL MATERIALS. UNDER NO CIRCUMSTANCE SHOULD ANY NAKED FLAME SOURCES OR HEAT DEVICES BE USED INSIDE OR NEAR THE AWNING
- DO NOT OPERATE ANY DEVICE WHICH BURNS FUEL INSIDE OF THE AWNING, KEEP EXIT CLEAR.



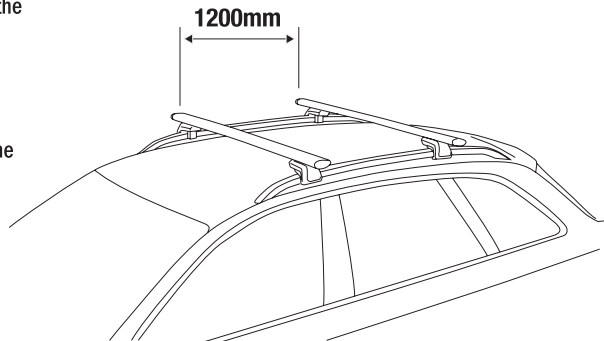
Mounting your 270° Compact Awning to your vehicle

It is recommended that the awning is assembled and installed by two (2) people. We further recommend having the awning installed by experienced 4x4 accessory installer.

The awning brackets supplied have been designed to fit the most common configurations of roof racks and rail systems. However, due to the ever-increasing variations being offered by vehicle and accessory manufacturers, we cannot guarantee that these will fit all available options.

It is recommended that you speak to your roof rack specialist for further advice or recommendations on the best system for your requirements.

ENSURE that the minimum spacing between the mounting brackets is to be 47" (1200mm) to allow the awning to be supported correctly and the weight is distributed evenly.



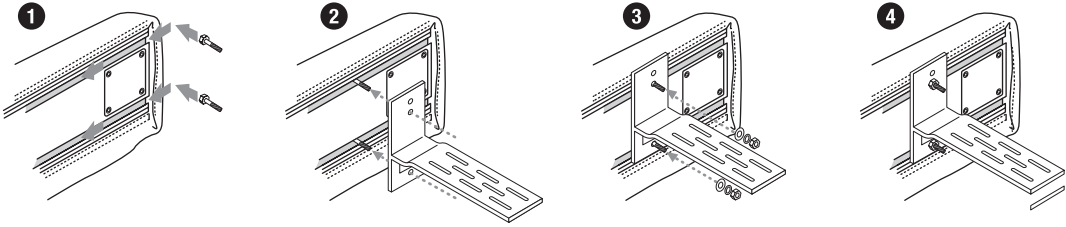
Locating Tent on your Vehicle

Step 1:

Peel the Velcro PVC driving cover back at each end of the awning to expose the backing plate tracks. Insert the bolts heads into the backing plate tracks, then reattach the PVC Velcro driving end covers.

Step 2:

Position and attach the brackets in the required position using the provided Nylock nuts and washers, then tighten.



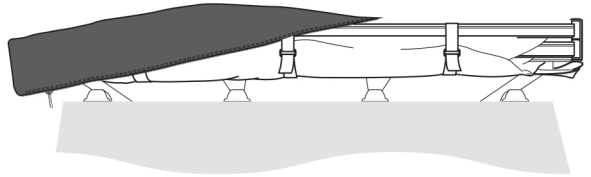
Step 3:

Mount to the vehicle using the provided U-bolts, Nylock nuts and washers.

Assembly

Step 1:

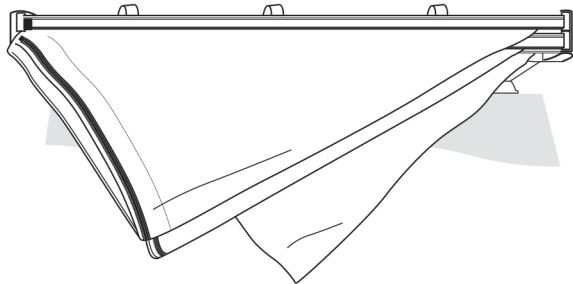
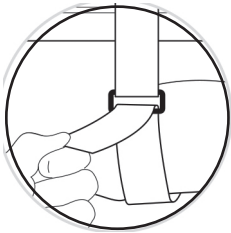
Unzip the PVC driving cover and fold it back from the awning fabric



Step 2:

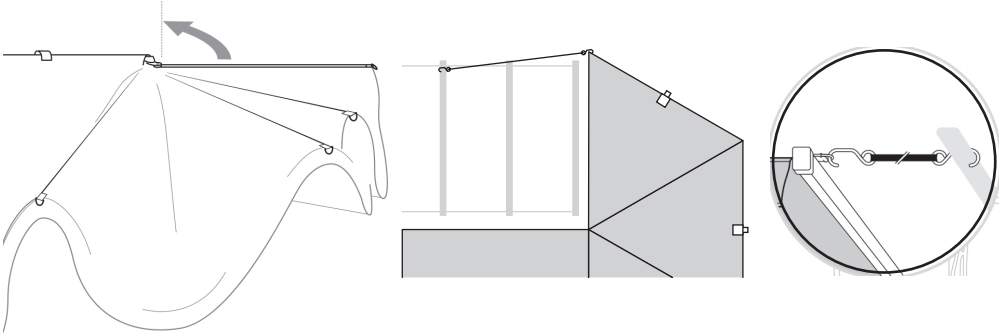
Undo the three supporting straps and release the awning fabric.

Take note of how the fabric is layered and packed to assist you with repacking the awning



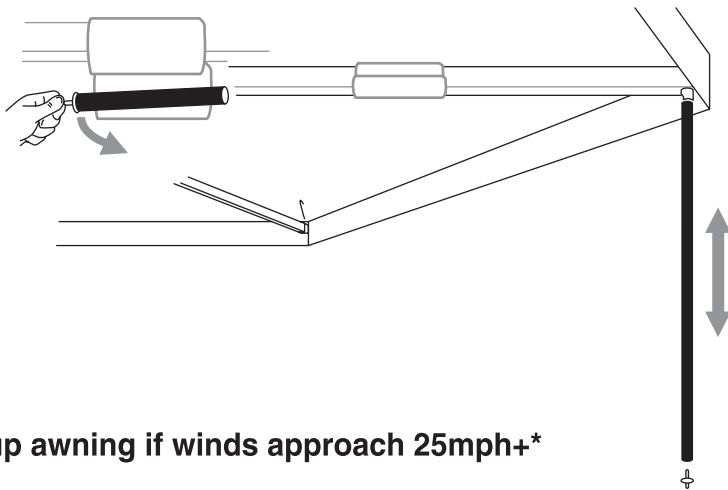
Step 3:

Swing the arms away from the awning until the fabric is fully extended towards the front and rear of the vehicle. Use the Tuff Stuff tensioning strap to secure the awning in position at the front and rear of the vehicle.



Step 4:

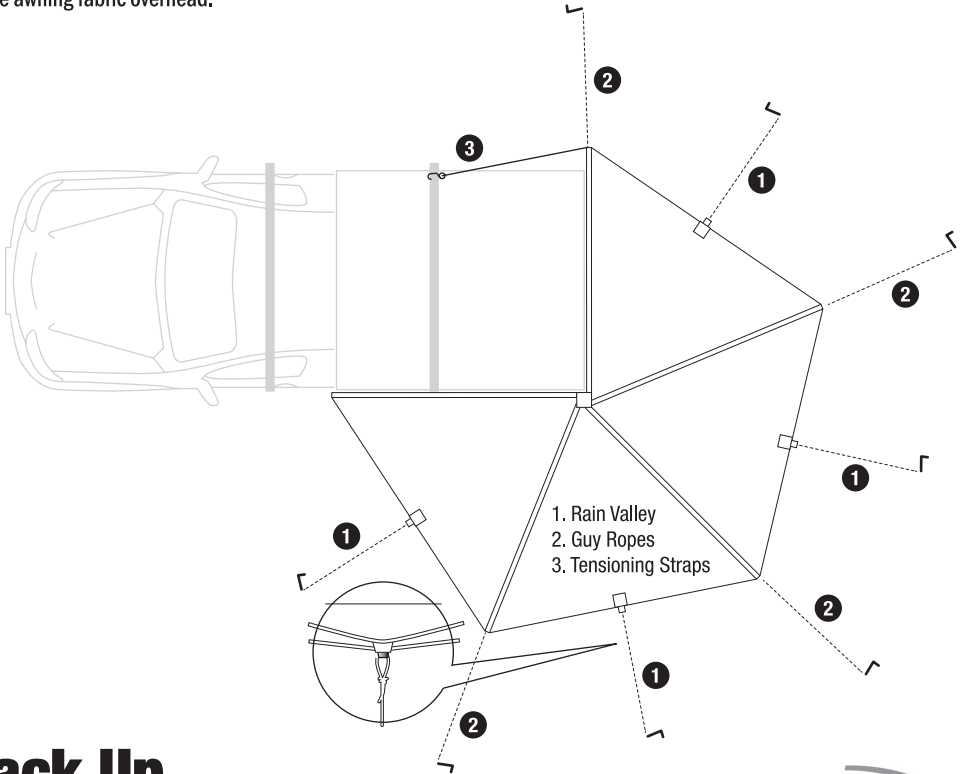
If being used in adverse weather conditions or if additional stability is required, release the support poles attached to the swinging arms and adjust the pole height to the ground, then attach the provided guy lines and stakes for maximum support.



Pack up awning if winds approach 25mph+

Step 5:

Should it rain while your 270° Compact awning is deployed, it is recommended that the support poles height is adjusted to allow a slight slope of the fabric, along with adjustment of the provided guy lines, allowing a “valley” to be formed between each swinging support arm. This will channel the water away from your vehicle and prevent excess weight sitting on the awning fabric overhead.



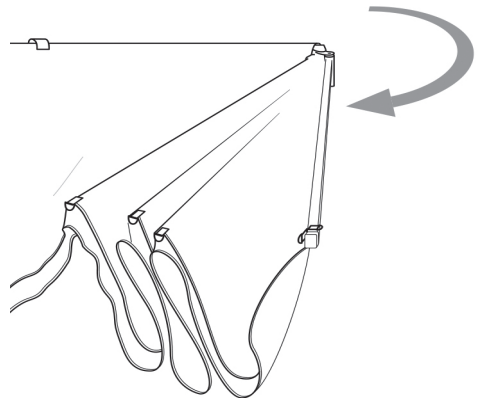
Pack Up

Step 1:

Release and remove all guy lines, stakes, and return the support poles to the backing plate

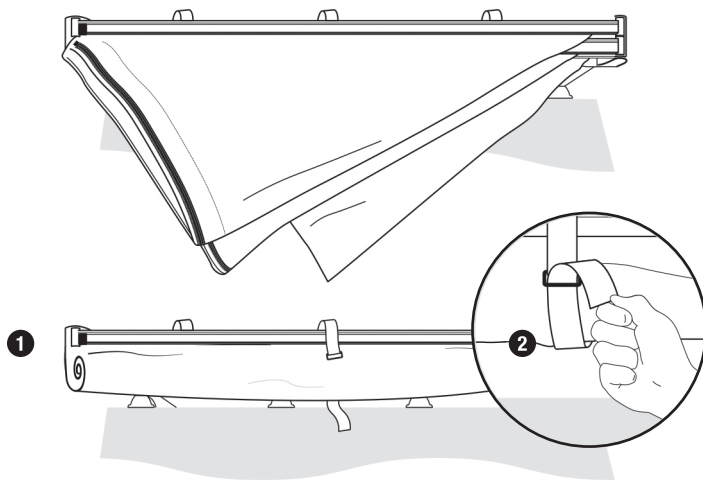
Step 2:

Release the Tuff Stuff tensioning strap and fold each swinging arm towards the backing plate, checking that all fabric is falling toward the ground and is not bunched up.



Step 3:

The awning fabric should now be draped in a triangular shape. Grab the fabric at the point of the triangle and roll towards the top of the awning, then secure with the attached straps. Position the PVC driving cover over the cinched fabric and zip up



Optional Wall Kits (not included, sold separately)

IMPORTANT: Support poles and guy lines must be in place when fitting wall kits. Failure to do so will result in damage to your 270 ° Compact awning.

Lay out the walls and locate where you require the doors and windows. Attach the Velcro at the top of the walls to the Velcro found on the inside of the awning roof fabric. Secure the walls to the ground using the supplied guy lines and stakes.

It is recommended that wall kits are not installed during windy or adverse weather conditions (25mph+ winds) as this may cause damage to your awning, roof rack, or vehicle.