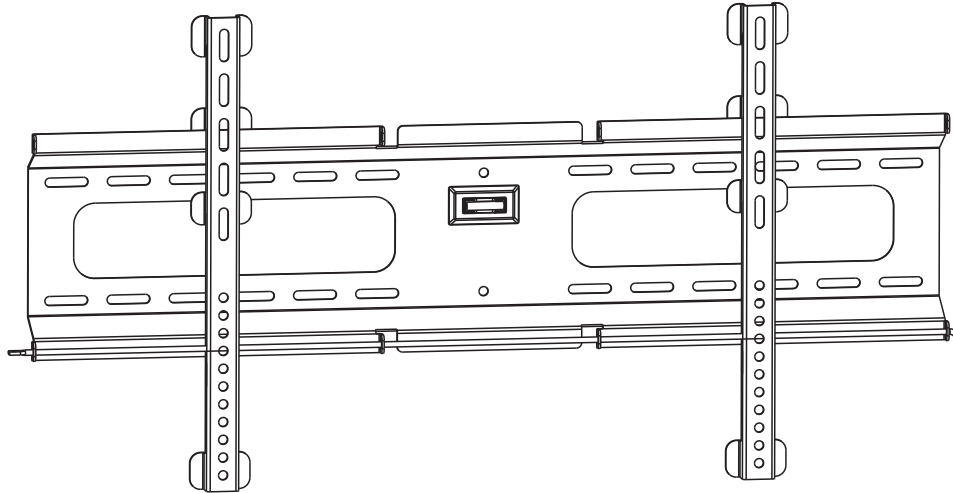


Installation Instructions



UNPACKING INSTRUCTIONS

- ! Carefully open the carton, remove contents and lay out on cardboard or other protective surface to avoid damage.
- ! Check package contents against the Supplied Parts List in the next page to assure that all components were received undamaged. Do not use damaged or defective parts.
- ! Carefully read all instructions before attempting installation.

IMPORTANT SAFETY INFORMATION

Install and operate this device with care. Please read this instruction before beginning the installation, and carefully follow all instructions contained herein. Use proper safety equipment during installation.

Please call a qualified installation contractor for help if you:

- ! If you don't understand these directions or have any doubts about the safety of the installation.
- ! If you are uncertain about the nature of your wall, consult a qualified installation contractor.

Do not use this product for any purpose or in any configuration not explicitly specified in this instruction. We hereby disclaim any and all liability for injury or damage arising from incorrect assembly, incorrect mounting, or incorrect use of this product.

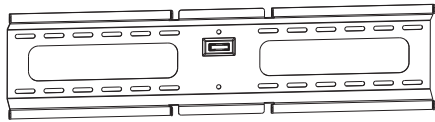


WARNING

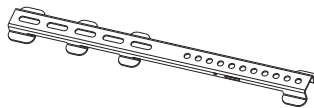
CAUTION!

This TV mount must be securely attached to the vertical wall. If the mount is not properly installed it may fall, resulting in possible injury and/or damage.

Supplied Parts List



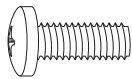
wall plate (x1)
a



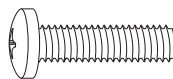
adapter bracket (x2)
b



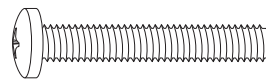
safety bar (x1)
c



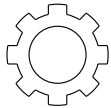
M8x20 (x4)
f



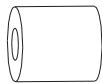
M8x30 (x4)
g



M8x50 (x4)
h



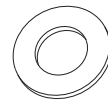
M8 lock washer (x4)
j



big spacer (x8)
k



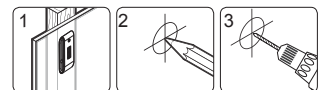
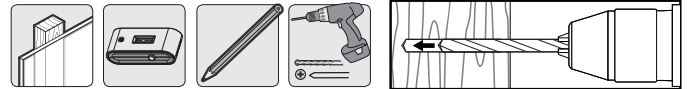
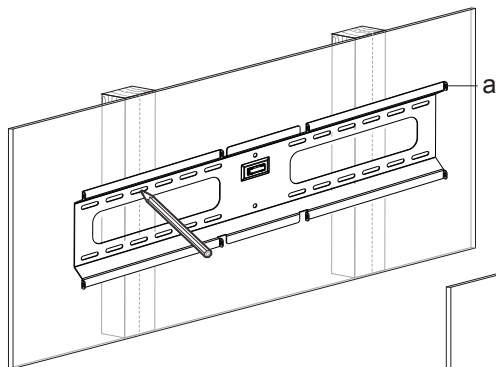
small spacer (x8)
l



D8 washer (x4)
m

Step 1a

For Wood Stud Wall Mounting



Find and mark the exact location of mounting holes

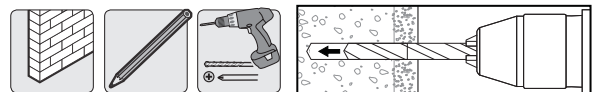
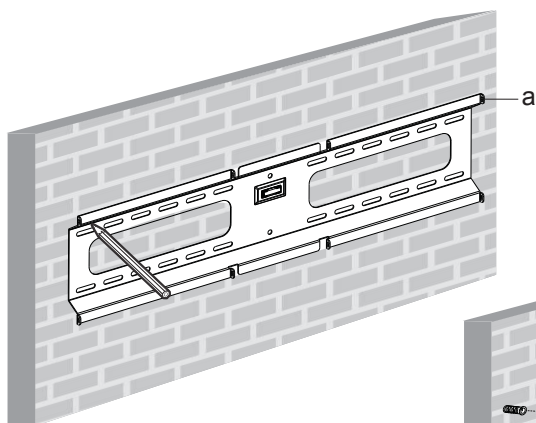
Drill pilot holes



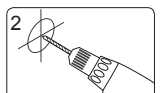
Screw the wall plate onto the wall

Step 1b

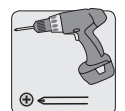
For Solid Brick and Concrete Mounting



Mark the exact location of mounting holes



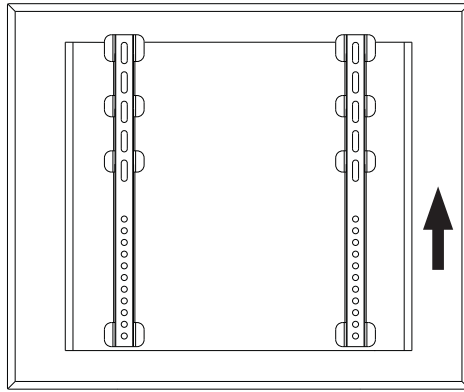
Drill pilot holes



Screw the wall plate onto the wall

Step 2

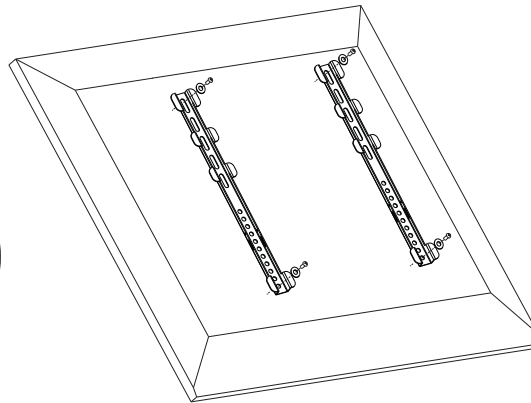
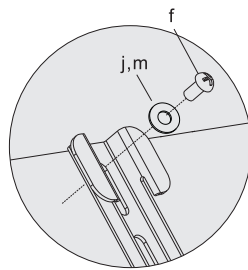
Installing the Adapter Brackets



Top of the display.

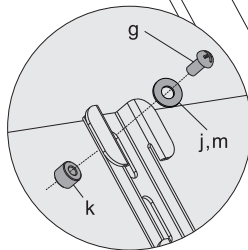
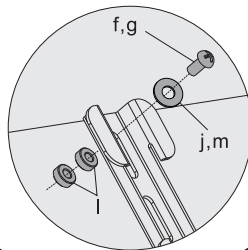
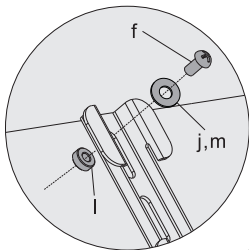
Step 2a

For Flat Back Screens



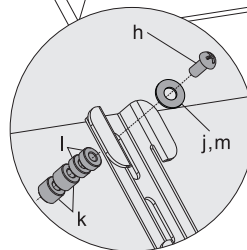
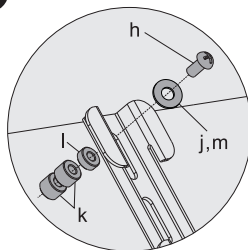
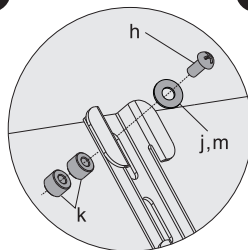
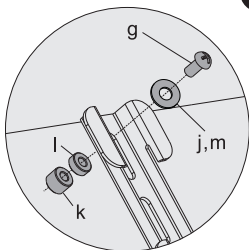
Step 2b

For Recessed Back Screens or to Access A/V Inputs



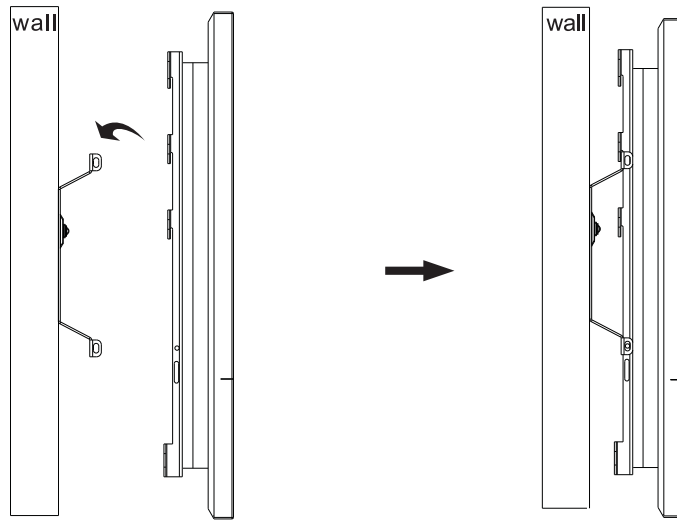
or

or



Step 3

Hanging the Display onto the Wall Plate



Step 4

Locking the TV Rails

