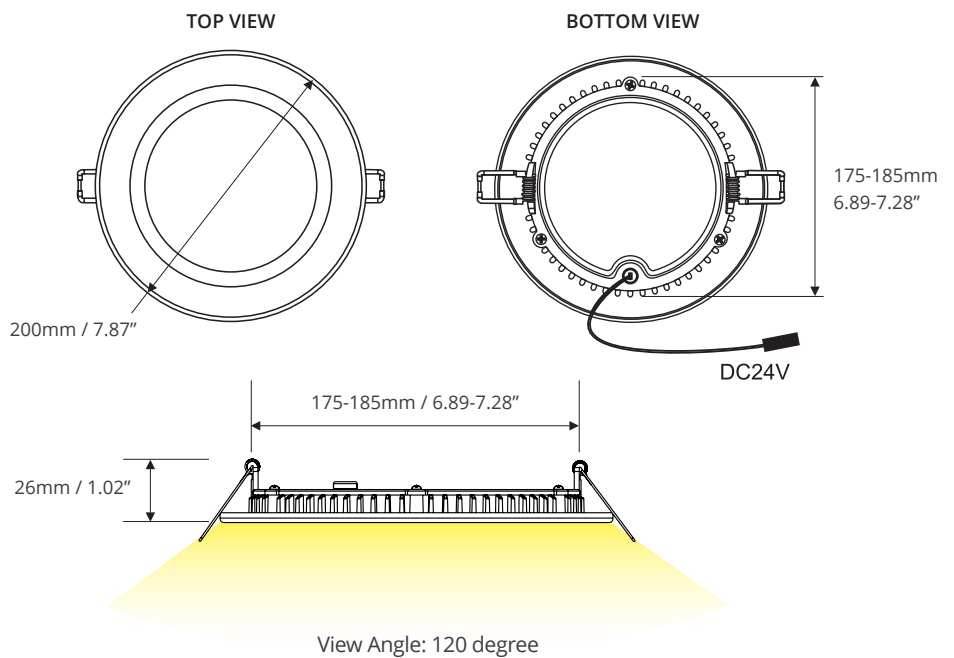


The **LPC-0200** Ultra-thin Circular LED panel delivers up to 1210 lumens of light at up to 100 lumens per watt. Using just a fraction of the energy used by comparable incandescent lamps, the LPC Series is a direct replacement for most recessed downlights in a 7 in. opening. With a wet location rating, this product is ideal for use in many residential, hospitality, and light commercial applications.

PRODUCT SPECIFICATION

- Lifetime: Designed to last >50,000hours
- Dimming: Dimmable to 1%
- Wet Rating: IP64 (Suitable for Damp Locations)
- Clear Height: 26mm / 1.02"
- Outside Dimensions: 200mm / 7.87" Ø
- Opening Dimensions: 175-185mm / 6.89-7.28" Ø
- Weight: 0.35kgs/0.77lbs
- CRI: > 90 / SMD 2835
- Lumen: 1060-1210 lm
- Power: 100-240VAC 50/60Hz / 24VDC CV
- Watts: 11W / IC Rated
- CCT: 3000 - 6500K in 4 standard options
- View Angle: 120 degree
- Warranty: 7 years



SPECIFICATIONS / ORDERING CODE MATRIX

Example: LPC-0200-12-3000-W means LPC Series 0200 model, 12 Watt, 3000K, White Frame

Model	Wattage	CCT	Frame Color
LPC-0200	12	3000	W
LPC-0200	12w	3000K - 6500K	W White A Aluminum C Custom

* requires color sample and sample sign-off prior to order production.
 ** Custom or specific color temp (CCT) available to confirm light matching

Prism One Returns & Warranty Information: https://prismone.com/returns_and_warranty.html