

The **LPC-0170** Ultra-thin Circular LED panel delivers up to 950 lumens of light at up to 86 lumens per watt. Using a fraction of the energy used by comparable incandescent lamps, the LPC Series is a direct replacement for most recessed downlights in a 6 in. opening. With a wet location rating, this product is ideal for use in many residential, hospitality, and light commercial applications.



PRODUCT SPECIFICATION

Lifetime: Designed to last >50,000hours

Dimming: Dimmable to 1%

Wet Rating: IP64 (Suitable for Damp Locations)

Clear Height: 26mm / 1.02"

Outside Dimensions: 170mm / 6.69" Ø

Opening Dimensions: 140-155mm / 5.51-6.10" Ø

Weight: 0.35kgs/0.77lbs

CRI: > 90 / SMD 2835

Lumen: 870-950 lm

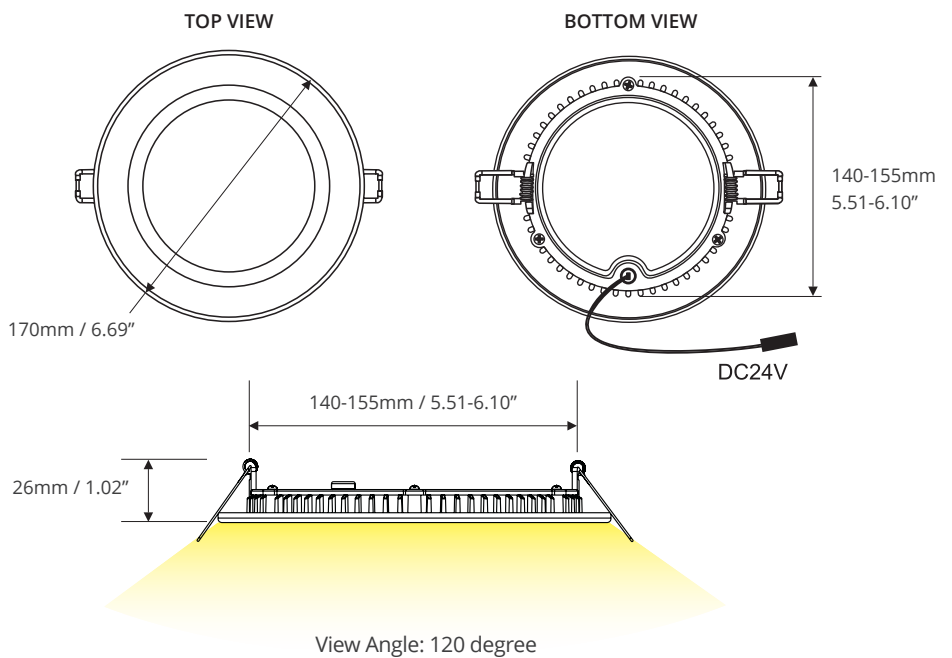
Power: 100-240VAC 50/60Hz / 24VDC CV

Watts: 10.6W / IC Rated

CCT: 3000 - 6500K in 4 standard options

View Angle: 120 degree

Warranty: 7 years



SPECIFICATIONS / ORDERING CODE MATRIX

Example: LPC-0170-10-3000-W means LPC Series 0170 model, 12 Watt, 3000K, White Frame

Model	Wattage	CCT	Frame Color
LPC-0170	10	3000	W
LPC-0170	10w	3000K - 6500K	W White A Aluminum C Custom

* requires color sample and sample sign-off prior to order production.

** Custom or specific color temp (CCT) available to confirm light matching

Prism One Returns & Warranty Information: https://prismone.com/returns_and_warranty.html



PRISM ONE
1133 CROWN PARK CIRCLE
WINTER GARDEN, FLORIDA 34787
USA

CONTACT
T: 866.776.7666
T: 321.293.1000
F: 321.293.1001

ONLINE
PRISMONE.COM
SALES@PRISMONE.COM

REV 190215.1