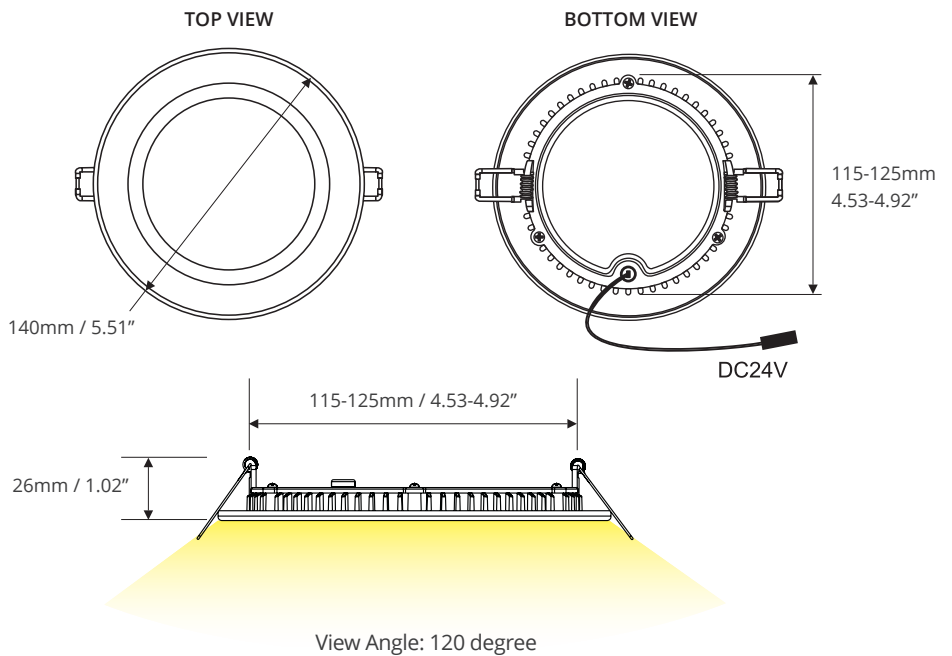


The **LPC-0140** Ultra-thin Circular LED panel delivers up to 680 lumens of light at up to 85 lumens per watt. Using a fraction of the energy used by comparable incandescent lamps, the LPC Series is a direct replacement for most recessed downlights in a 5 in. opening. With a wet location rating, this product is ideal for use in many residential, hospitality, and light commercial applications.



### PRODUCT SPECIFICATION

- Lifetime: Designed to last >50,000hours
- Dimming: Dimmable to 1%
- Wet Rating: IP64 (Suitable for Damp Locations)
- Clear Height: 26mm / 1.02"
- Outside Dimensions: 140mm / 5.51" Ø
- Opening Dimensions: 115-125mm / 4.53-4.92" Ø
- Weight: 0.19kgs/0.42lbs
- CRI: > 90 / SMD 2835
- Lumen: 570-680 lm
- Power: 100-240VAC 50/60Hz / 24VDC CV
- Watts: 8W / IC Rated
- CCT: 3000 - 6500K in 4 standard options
- View Angle: 120 degree
- Warranty: 7 years



### SPECIFICATIONS / ORDERING CODE MATRIX

Example: LPC-0140-08-3000-W means LPC Series 0140 model, 8 Watt, 3000K, White Frame

Model	Wattage	CCT	Frame Color
LPC-0140	08	3000	W
LPC-0140	8w	3000K - 6500K	W White A Aluminum C Custom

\* requires color sample and sample sign-off prior to order production.  
 \*\* Custom or specific color temp (CCT) available to confirm light matching

Prism One Returns & Warranty Information: [https://prismone.com/returns\\_and\\_warranty.html](https://prismone.com/returns_and_warranty.html)