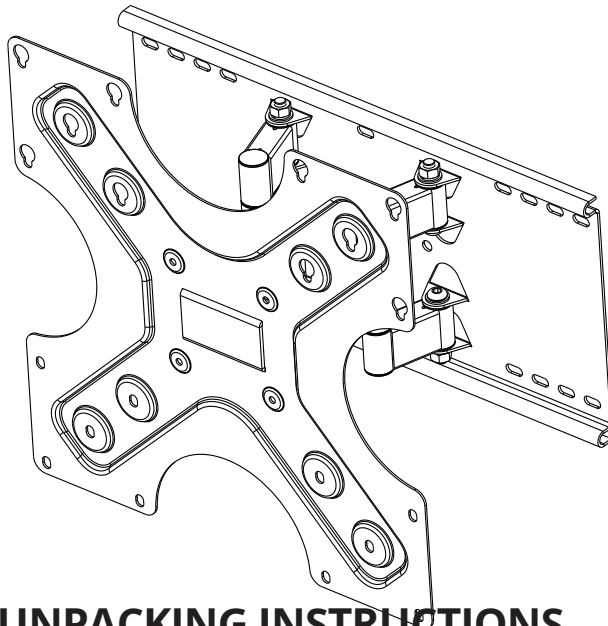


# Installation Instructions



## UNPACKING INSTRUCTIONS

### UNPACKING INSTRUCTIONS

- ! Carefully open the carton, remove contents and lay out on cardboard or other protective surface to avoid damage.
- ! Check package contents against the Supplied Parts List in the next page to assure that all components were received undamaged. Do not use damaged or defective parts.
- ! Carefully read all instructions before attempting installation.

### IMPORTANT SAFETY INFORMATION

Install and operate this device with care. Please read this instruction before beginning the installation, and carefully follow all instructions contained herein. Use proper safety equipment during installation.

Please call a qualified installation contractor for help if you:

- ! If you don't understand these directions or have any doubts about the safety of the installation.
- ! If you are uncertain about the nature of your wall, consult a qualified installation contractor.

Do not use this product for any purpose or in any configuration not explicitly specified in this instruction. We hereby disclaim any and all liability for injury or damage arising from incorrect assembly, incorrect mounting, or incorrect use of this product.



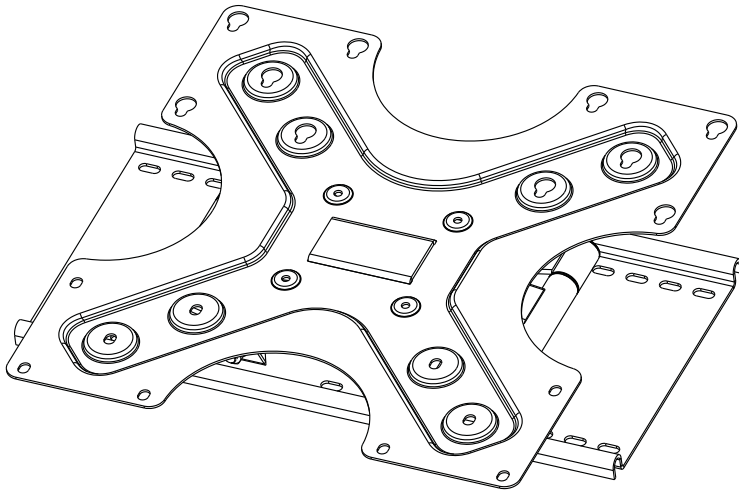
WARNING

## CAUTION!

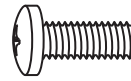
This TV mount must be securely attached to the vertical wall. If the mount is not properly installed it may fall, resulting in possible injury and/or damage.



# Supplied Parts List



M3 WALL MOUNT (x1)  
A



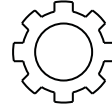
M8x20 (x4)  
F



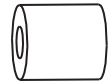
M8x30 (x4)  
G



M8x50 (x4)  
H



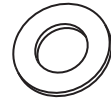
M8 LOCK WASHER (x4)  
J



BIG SPACER (x8)  
K

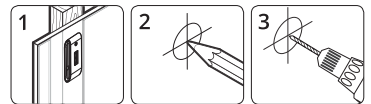
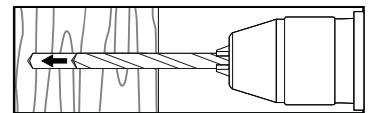
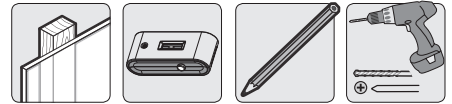
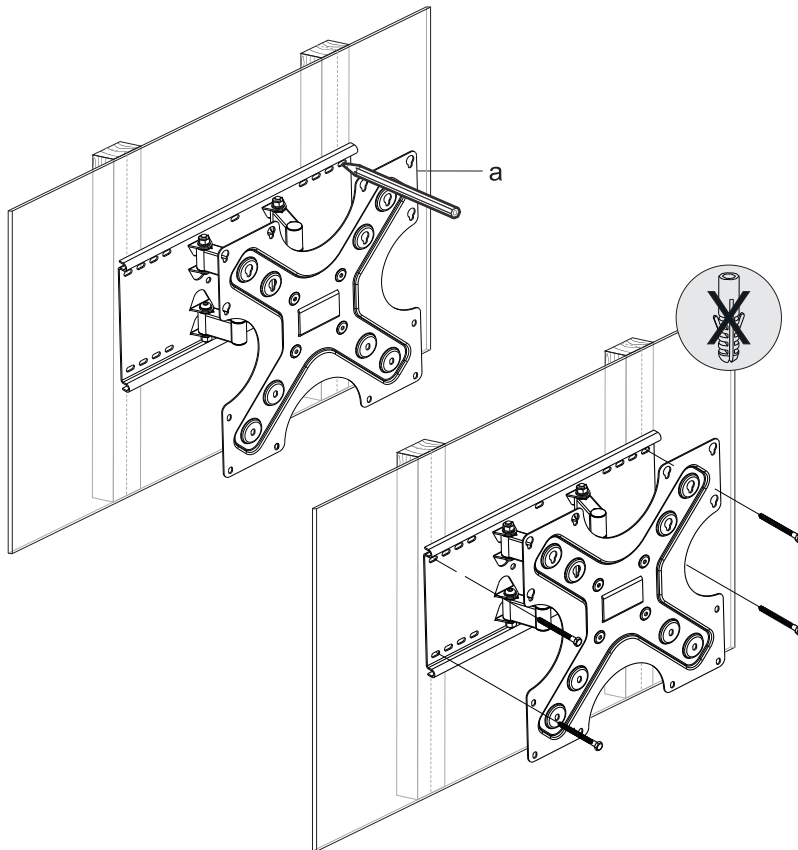


SMALL SPACER (x8)  
L



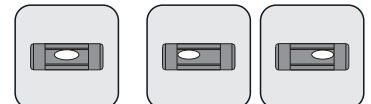
D8 WASHER (x4)  
M

## Step 1a For Wood Stud Wall Mounting



1 Find and mark the exact location of mounting holes

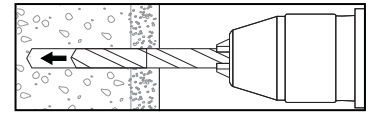
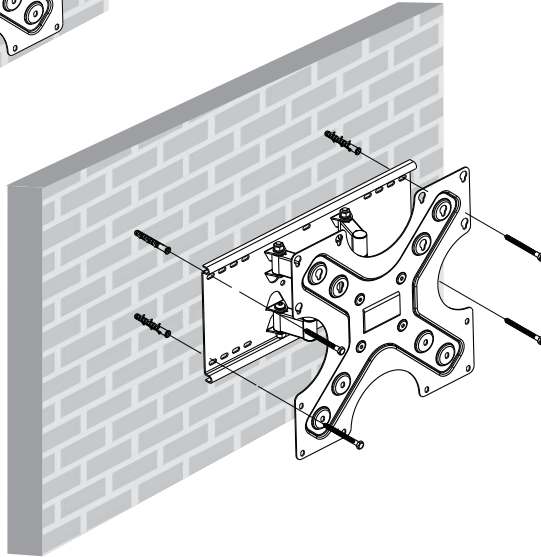
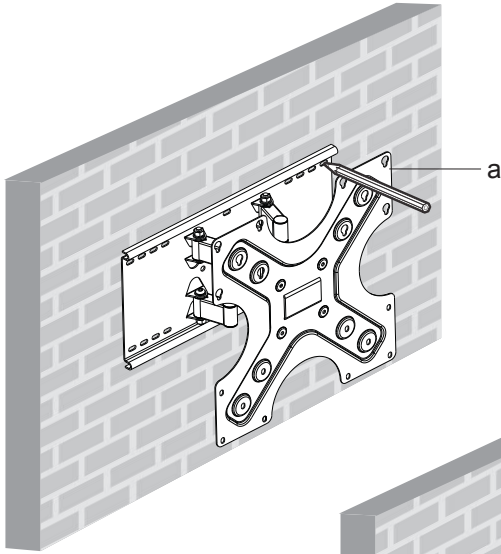
3 Drill pilot holes



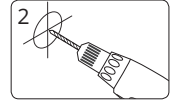
Screw the wall plate onto the wall

## Step 1b

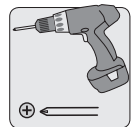
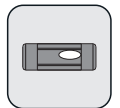
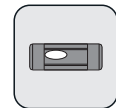
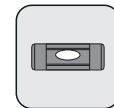
## For Solid Brick and Concrete Mounting



1  
Mark the exact  
location of  
mounting holes



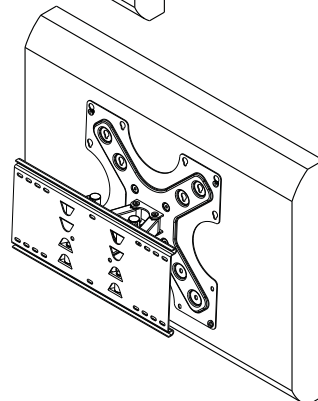
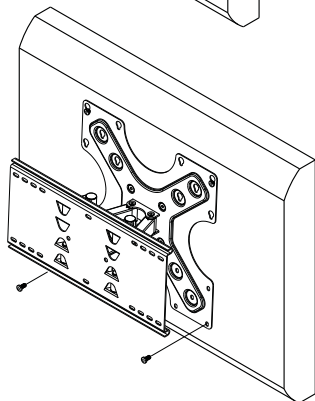
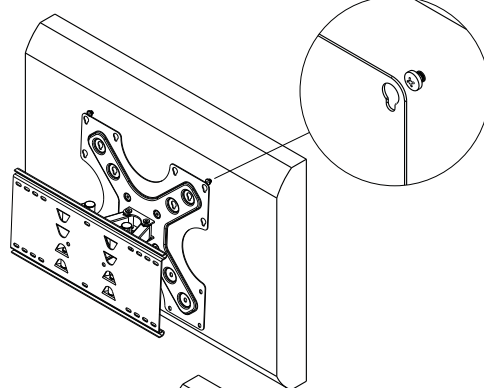
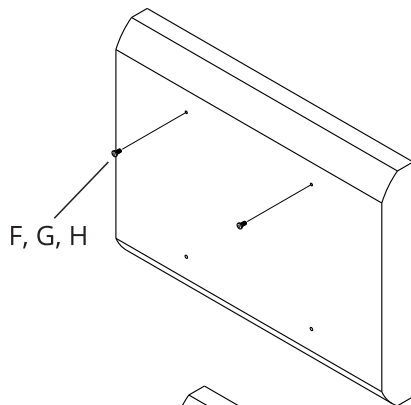
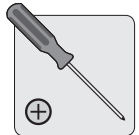
2  
Drill pilot holes



Screw the wall  
plate onto the  
wall

## Step 2a

## For Flat Back Screens



**Step 2b**

**For Recessed Back Screens or to Access A/V Inputs**

