

Our premium, heavy-duty KALEIDA M3 TV wall mount was specifically developed with safety in mind. When fully extended to a maximum of 8", the M3 mount prevents a TV from encroaching into pathways or to reach out past the front of most furnishings.

The M3 mount was designed to universally fit TVs from 43–75". The mount keeps TVs level and does not allow the TV to tilt forward or rotate. This unit can accommodate VESA patterns on TVs from 200mm x 200mm up to 400mm x 400mm and securely support weights up to 175lbs.



KALEIDA M3

PRODUCT SUMMARY

VESA Mounting Pattern from 200x200 up to 400x400

Profile of Mount: 39mm - 202mm

Swivel: +27° ~ - 27° approx.

Material: Heavy-Duty Powder-Coated Steel

Color: Black (standard); White or other color (optional)

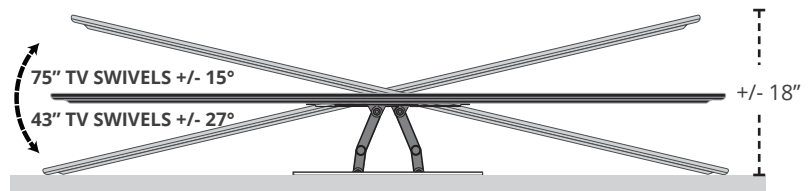
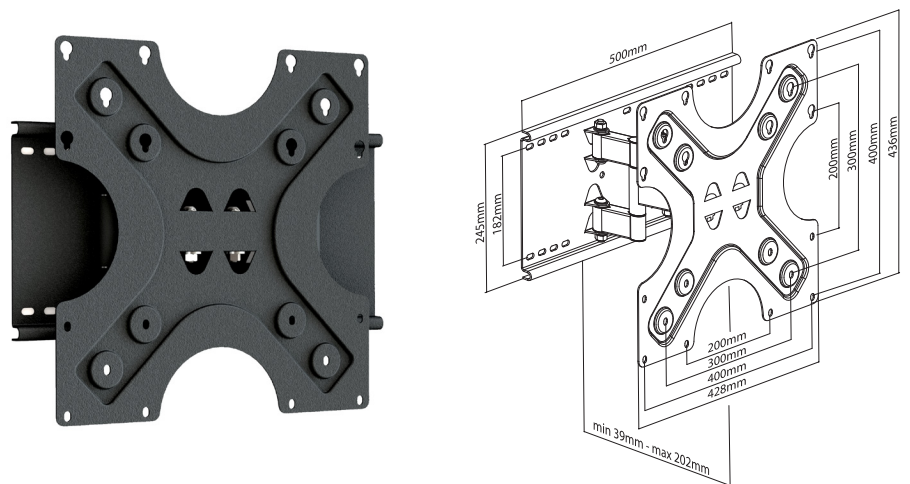
Fits TV Sizes: 43" - 75"

Maximum Load Support: 79.5Kgs / 175lbs

Safety: Restricted Articulation / Non-Tilt / Non-Rotating

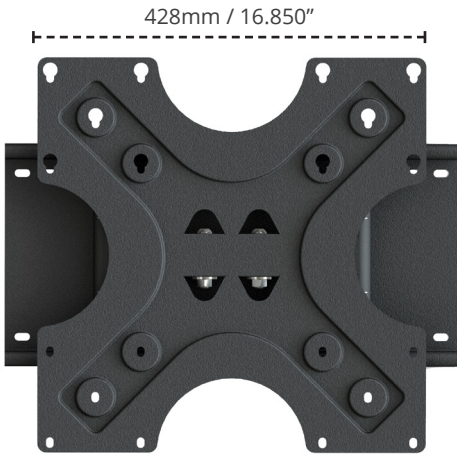
Accessory: Quick Install Plate (M3QIP)

Accessory: Sliding Cover Plates (M3SCP)



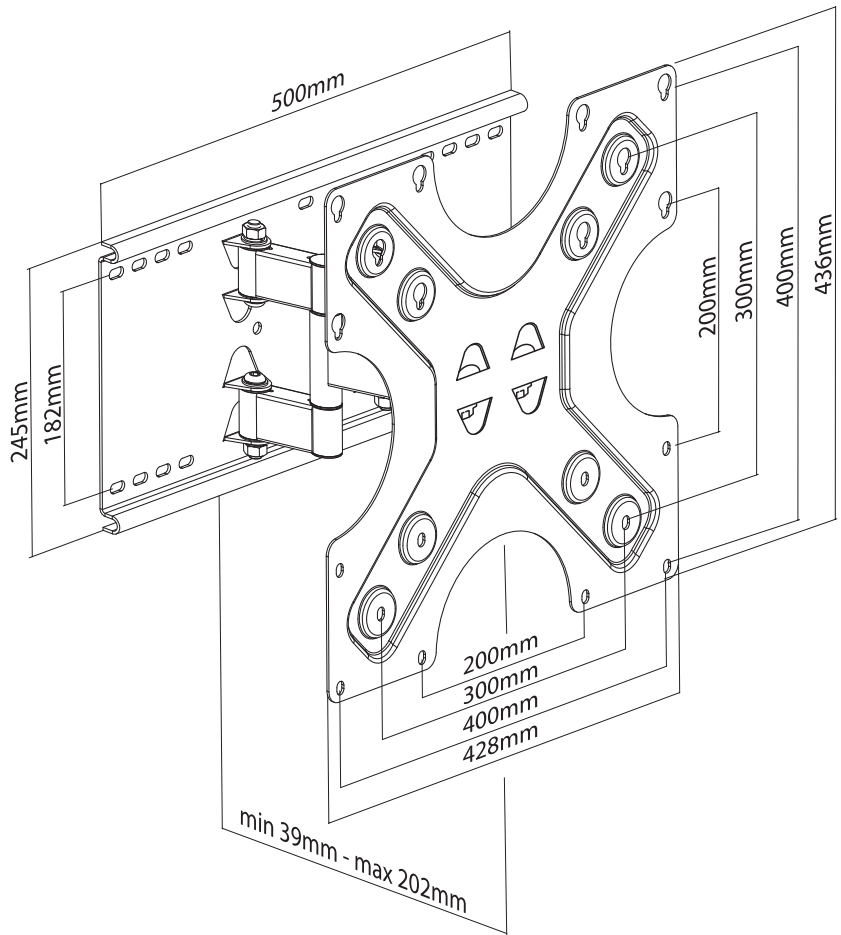
TOP VIEW SWIVEL ARTICULATION

Prism One Returns & Warranty Information: https://prismone.com/returns_and_warranty.html



FRONT VIEW

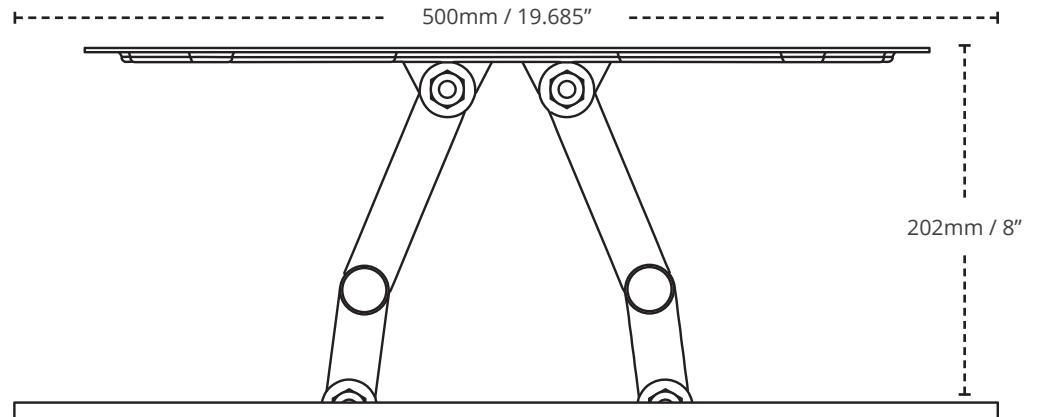
428mm / 16.850"



39mm / 1.5"



SIDE VIEW
COLLAPSED



TOP VIEW EXTENDED

Prism One Returns & Warranty Information: https://prismone.com/returns_and_warranty.html



PRISM ONE
1133 CROWN PARK CIRCLE
WINTER GARDEN, FLORIDA 34787
USA

CONTACT
T: 866.776.7666
T: 321.293.1000
F: 321.293.1001

ONLINE
PRISMONE.COM
SALES@PRISMONE.COM

REV 190129.3