

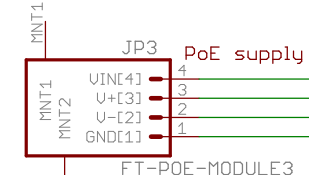
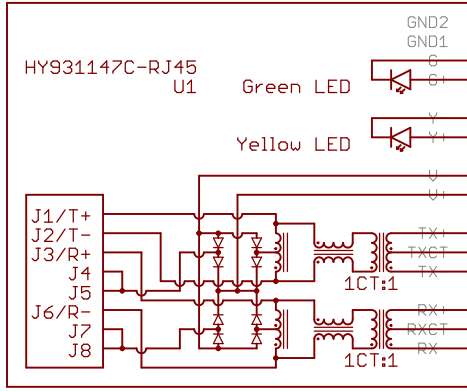
3V3 Power Supply
800mA

1.8V / 3.3V Decoupling

Wiznet W5100 Power-On/Reset
IC2
APX811-44UG-7

Status Display

Ethernet Module with PoE



FreeTronics EtherTen R3

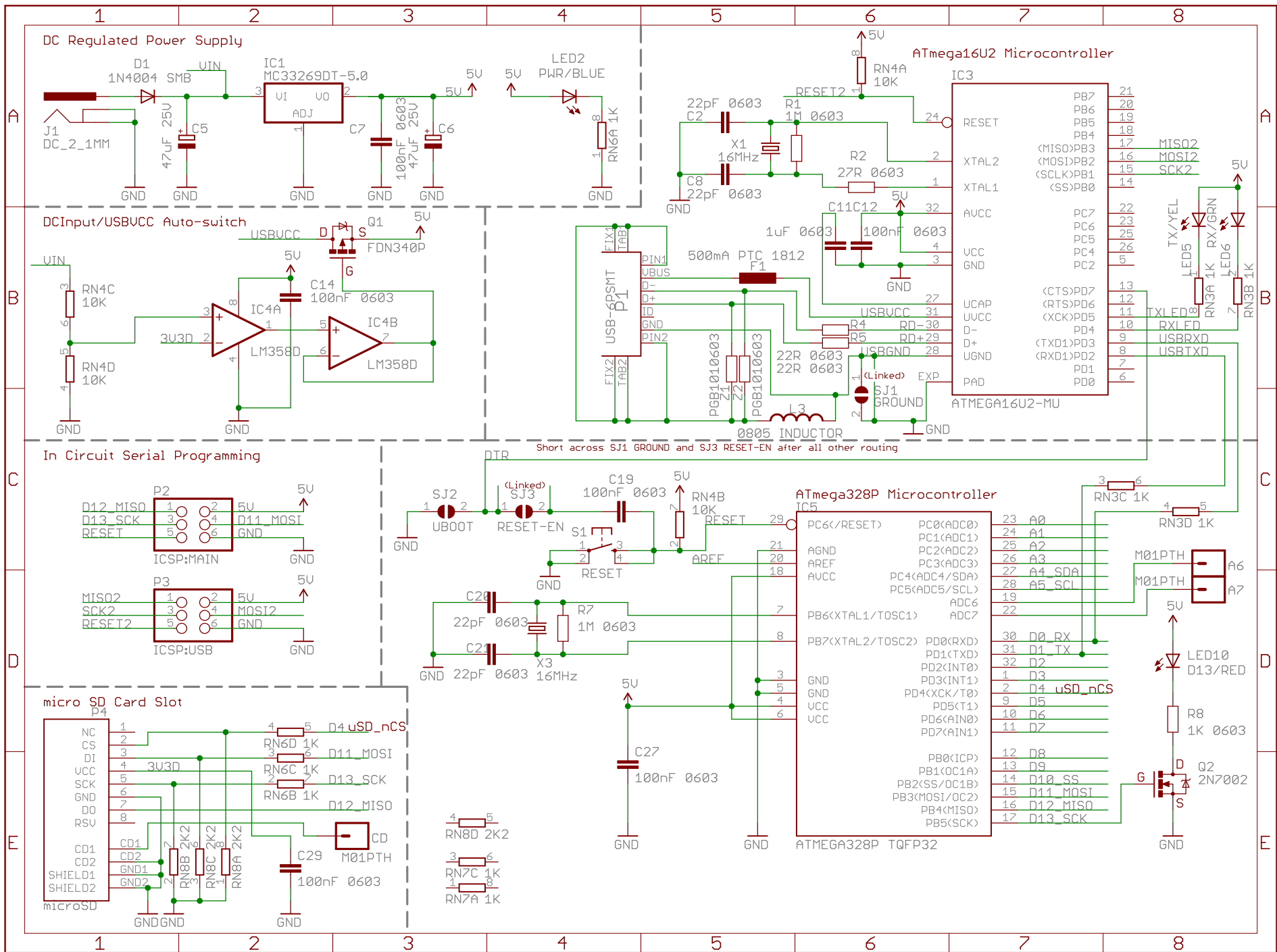
SKU: ETHERTEN www.freetronics.com/etherten V2.0 (2012-07-07)

APX811-44UG-7 Reset IC
140ms min, 280ms max
< 4.38 Vrst, push-pull output

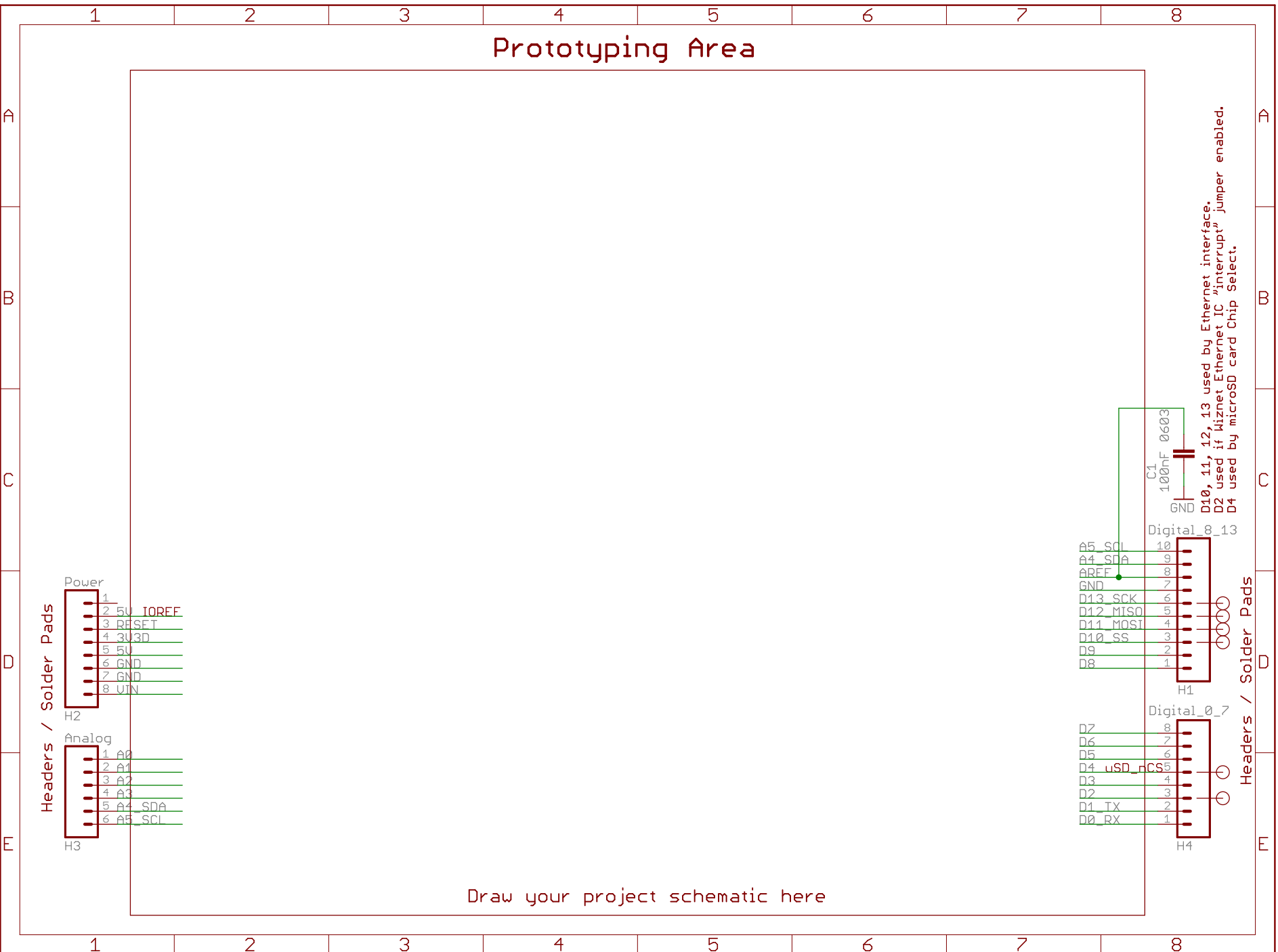
IC6
W5100SQQFP80

SPI MISO tri-state by SS/nCS
SPI D10_SS/nCS low = SEN high = SPI enabled





Prototyping Area



Draw your project schematic here

