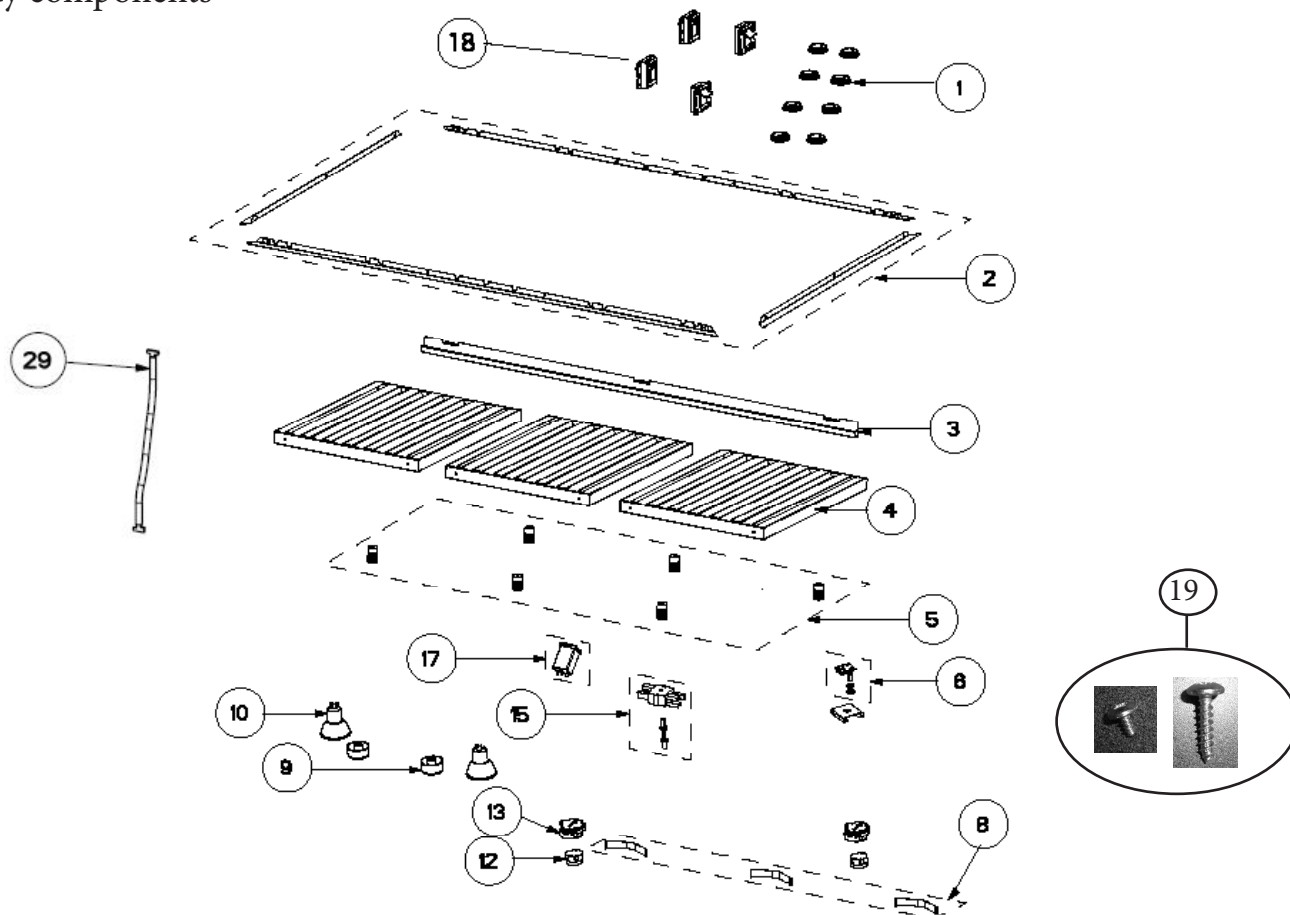
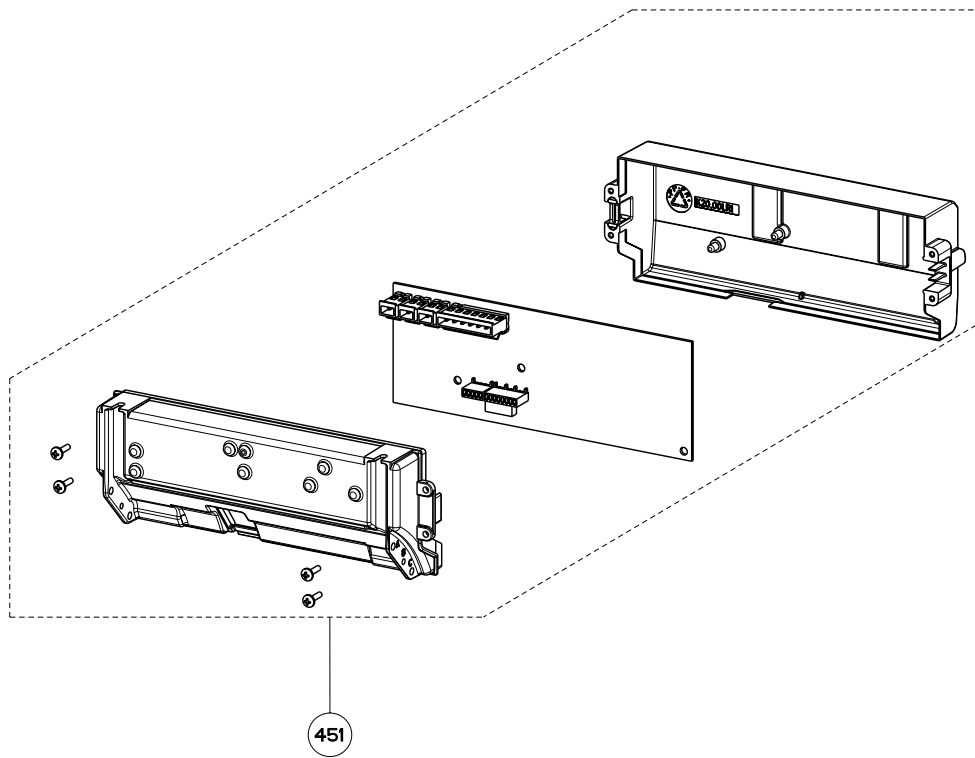


body components



| | Model Number | INPL3019SSNB-B | INPL3619SSNB-B | INPL3622SSNB-B | INPL4219SSNB-B | INPL4819SSNB-B | INPL4822SSNB-B | |
|-----|-----------------------------------|----------------|----------------|----------------|----------------|----------------|----------------|---------------------------|
| Key | Description | 30 x 19 | 36 x 19 | 36 x 22 | 42 x 19 | 48 x 19 | 48 x 22 | Qty Req. |
| 1 | Plastic Covers | 133.0017.608 | 133.0017.608 | 133.0017.608 | 133.0017.608 | 133.0017.608 | 133.0017.608 | 1 |
| 2 | Trim Kit | 133.0463.972 | 133.0463.737 | 133.0463.908 | 133.0463.940 | 133.0463.969 | 133.0463.970 | 1 |
| 3 | Grease Rail | 133.0463.973 | 133.0183.288 | 133.0183.288 | 133.0183.288 | 133.0183.289 | 133.0183.289 | 1 |
| 4 | Grease Filter | 133.0176.904 | 133.0176.904 | 133.0176.904 | 133.0176.904 | 133.0176.904 | 133.0176.904 | 2 (30), 3 (36,42), 4 (48) |
| 5 | Grease Filter knobs (with screws) | 133.0176.905 | 133.0176.905 | 133.0176.905 | 133.0176.905 | 133.0176.905 | 133.0176.905 | 2 (30), 3 (36,42), 4 (48) |
| 6 | Speed Control | 133.0505.648 | 133.0505.648 | 133.0505.648 | 133.0505.648 | 133.0505.648 | 133.0505.648 | 1 |
| 8 | Grease Filter Springs | 133.0176.900 | 133.0176.900 | 133.0176.900 | 133.0176.900 | 133.0176.900 | 133.0176.900 | 1 |
| 9 | Control Knobs | 133.0176.901 | 133.0176.901 | 133.0176.901 | 133.0176.901 | 133.0176.901 | 133.0176.901 | 2 |
| 10 | LED bulb | 133.0486.867 | 133.0486.867 | 133.0486.867 | 133.0486.867 | 133.0486.867 | 133.0486.867 | 2 (30,36,42) 4 (48") |
| 12 | Lampholder | 133.0505.649 | 133.0505.649 | 133.0505.649 | 133.0505.649 | 133.0505.649 | 133.0505.649 | 1 (30,36,42) 2 (48") |
| 13 | Lampholder support | 133.0198.226 | 133.0198.226 | 133.0198.226 | 133.0198.226 | 133.0198.226 | 133.0198.226 | 2 (30,36,42) 4 (48") |
| 15 | Light Control | 133.0506.873 | 133.0506.873 | 133.0506.873 | 133.0506.873 | 133.0506.873 | 133.0506.873 | 1 |
| 17 | Electronic (EMC) filter | 133.0505.608 | 133.0505.608 | 133.0505.608 | 133.0505.608 | 133.0505.608 | 133.0505.608 | 1 |
| 18 | Hinge Clips Kit (2 in kit) | 133.0017.524 | 133.0017.524 | 133.0017.524 | 133.0017.524 | 133.0017.524 | 133.0017.524 | 2 |
| 19 | Installation Hardware | 133.0520.950 | 133.0520.950 | 133.0520.950 | 133.0520.950 | 133.0520.950 | 133.0520.950 | 1 |
| 29 | Ribbon Cable | 133.0016.845 | 133.0016.845 | 133.0016.845 | 133.0016.845 | 133.0016.845 | 133.0016.845 | |

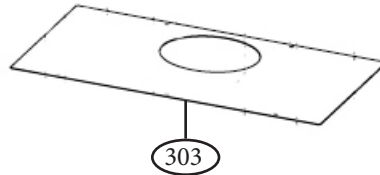
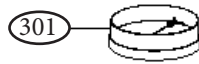
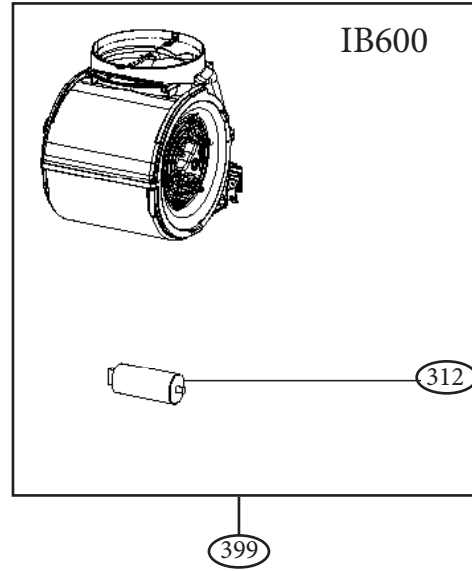
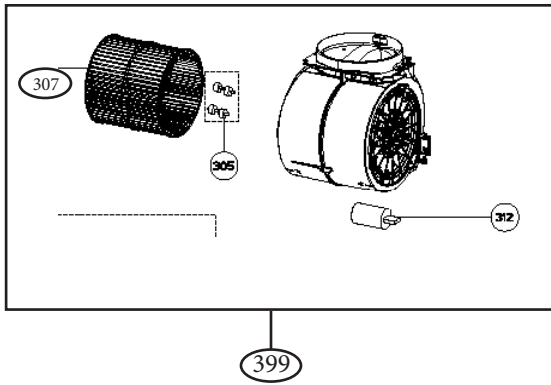
control board components



| | Model Number | INPL3019SSNB-B | INPL3619SSNB-B | INPL3622SSNB-B | INPL4219SSNB-B | INPL4819SSNB-B | INPL4822SSNB-B | |
|-----|---------------|----------------|----------------|----------------|----------------|----------------|----------------|----------|
| Key | Description | 30 x 19 | 36 x 19 | 36 x 22 | 42 x 19 | 48 x 19 | 48 x 22 | Qty Req. |
| 451 | Control Board | 133.0505.652 | 133.0505.652 | 133.0505.652 | 133.0505.652 | 133.0505.652 | 133.0505.652 | 1 |

INCA PRO PLUS IB300 /IB400/ IB600 MOTOR - 1 motor

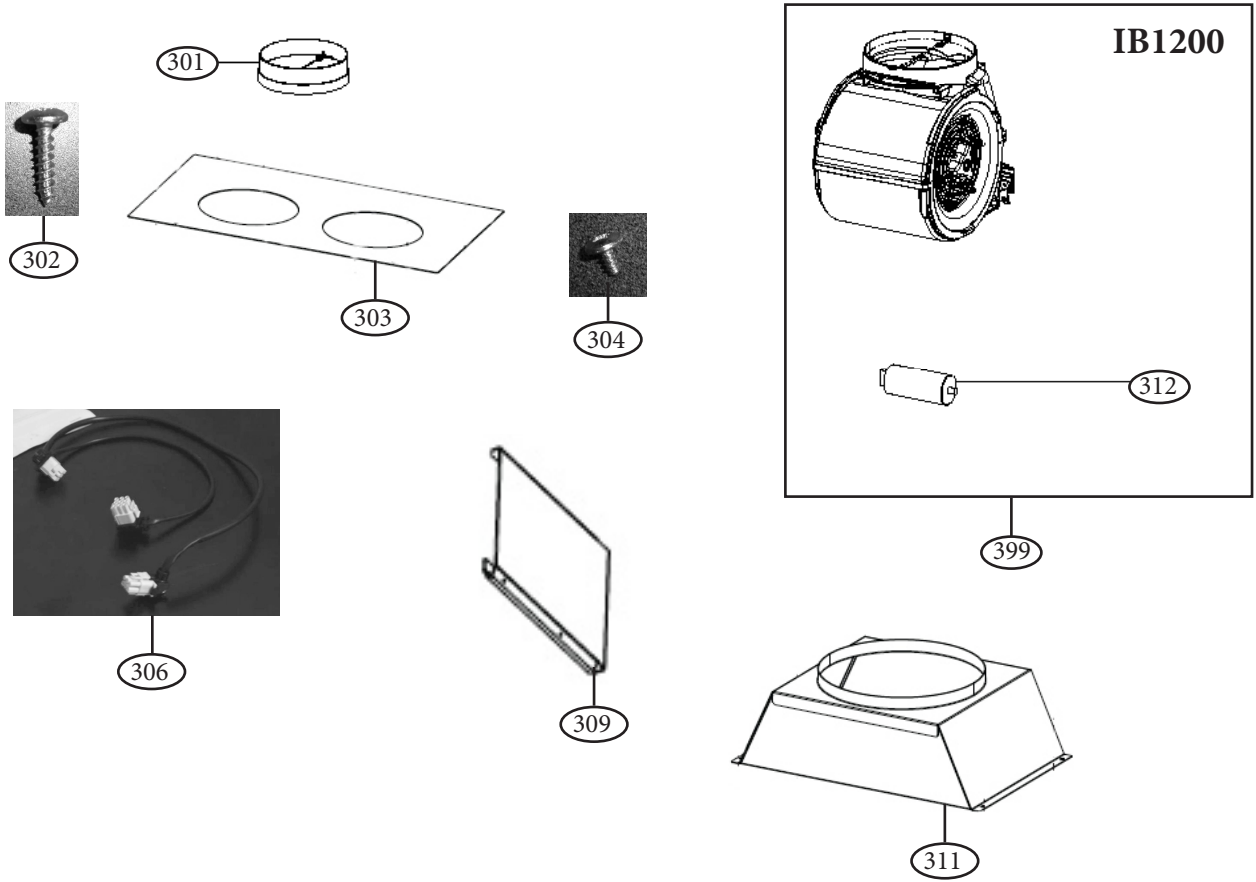
motor components



| | Model Number | IB300 | IB400 | IB600 | |
|-----|---------------------------|---------------------|---------------------|---------------------|----------|
| Key | Description | 300 cfm motor | 400 cfm motor | 600 cfm motor | Qty Req. |
| 301 | Damper | 133.0055.994 | 133.0055.994 | 133.0055.994 | 1 |
| 302 | Duct Plate Screws | 133.0189.390 | 133.0189.390 | 133.0189.390 | 1 |
| 303 | Duct Plate | 133.0189.421 | 133.0189.421 | 133.0189.421 | 1 |
| 304 | Motor Installation Screws | 133.0189.422 | 133.0189.422 | 133.0189.422 | 1 |
| 305 | Rubber Motor Mount | 133.0051.603 | 133.0051.603 | | 1 |
| 306 | Control Connector Cable | 133.0189.423 | 133.0189.423 | 133.0189.423 | 1 |
| 307 | Impeller | 133.0052.519 | 133.0052.519 | | 1 |
| 312 | Capacitor | 133.0060.648 | 133.0060.648 | 133.0060.648 | 1 |
| 399 | Motor Group | 133.0178.492 | 133.0052.518 | 133.0200.468 | 1 |

INCA PRO PLUS IB1200 MOTOR - 2 motors

motor components



| | Model Number | IB1200 | |
|-----|---------------------------------|----------------|----------|
| Key | Description | 1200 cfm motor | Qty Req. |
| 301 | Damper | 133.0055.994 | 2 |
| 302 | Duct Plate Screws | 133.0189.390 | 1 |
| 303 | Duct Plate | 133.0189.431 | 1 |
| 304 | Motor Installation Screws | 133.0189.422 | 2 |
| 306 | Control Connector Cable | 133.0189.428 | 1 |
| 309 | Motor Mounting Plate | 133.0189.430 | 1 |
| 311 | 10" Duct Transition | 133.0189.429 | 1 |
| 312 | Capacitor | 133.0060.648 | 2 |
| 399 | Motor Group (replace 2 blowers) | 133.0200.468 | 2 |

Note: Motor needs to be replaced in pairs for IB 1200.