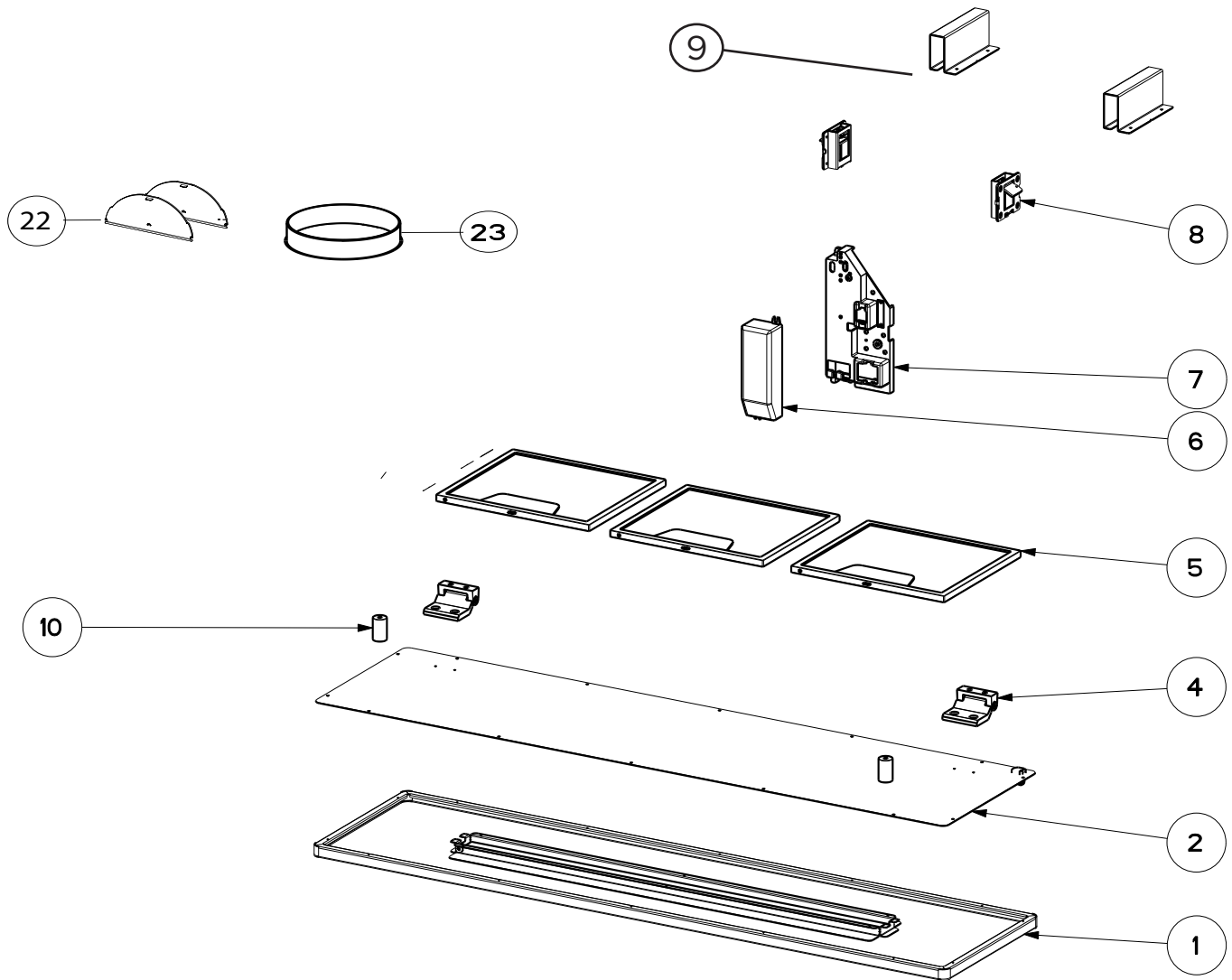


INCA IN-LIGHT 1st Generation (Serial # Starts 8 or 9)

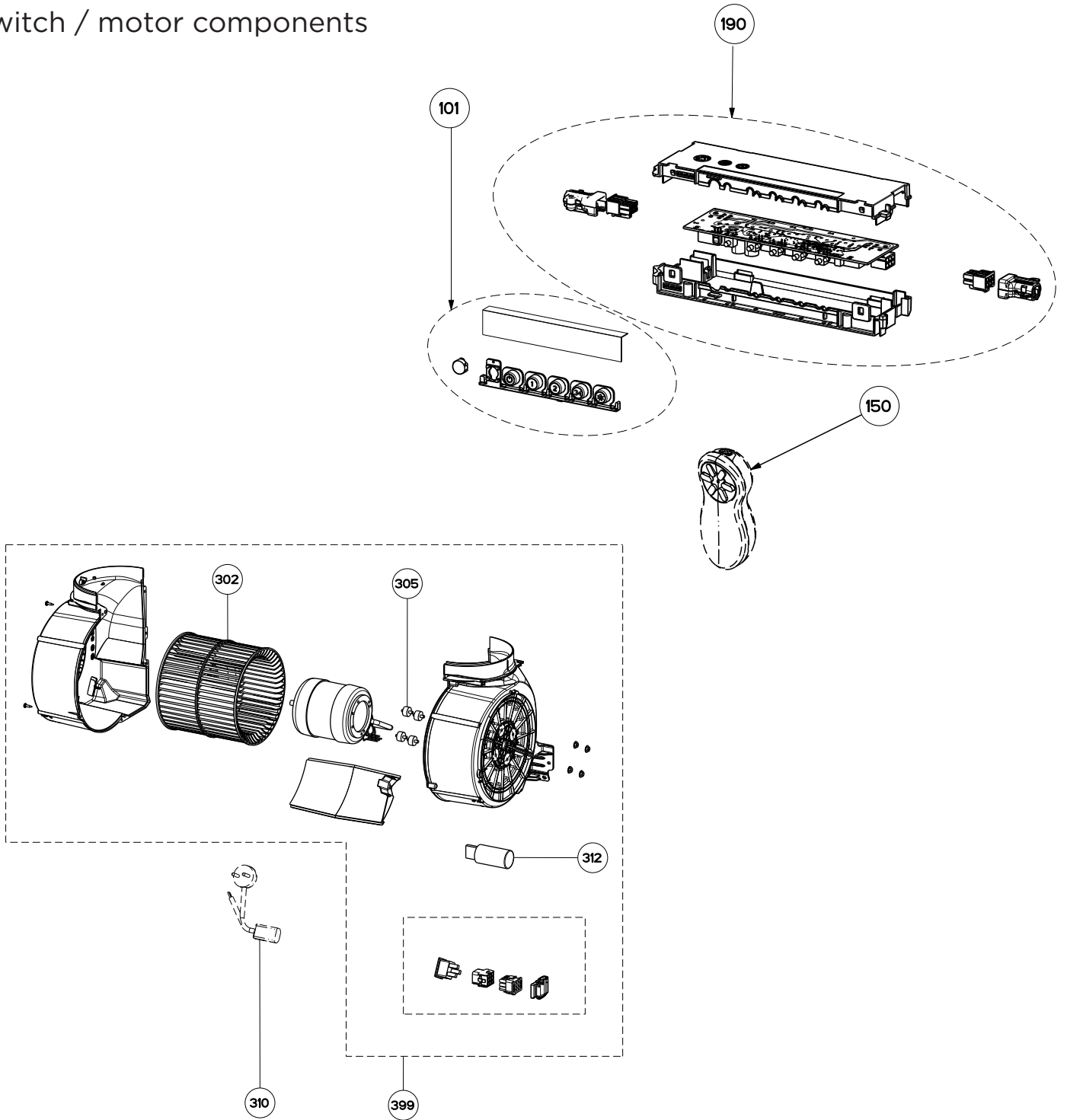
body components



	Model Number	INLT28SS600	
Key	Description	28 Stainless	Qty Req.
1	Light Panel Cover	133.0524.812	1
2	Light Panel Support	133.0524.813	1
4	Panel Hinge Kit	133.0304.582	2
5	Grease Filters	133.0469.233	3
6	Transformer	133.0171.826	1
7	Transformer Support	133.0182.439	1
8	Hinge Clips	133.0017.524	1
9	Hardware Kit	133.0549.058	1
10	Magnet	133.0401.022	2
22	Damper	133.0522.831	1
23	Metal Damper Collar	133.0653.126	1

INCA IN-LIGHT 1st Generation (Serial # Starts 8 or 9)

switch / motor components



Key	Model Number	INLT28SS600	
Key	Description	28 Stainless	Qty Req.
101	Button Kit	133.0380.478	1
150	Remote Control	REMORIG	1
190	Control Board Kit	133.0524.811	1
302	Impeller Kit	133.0052.799	1
305	Rubber Motor Mount	133.0051.604	1
310	Power Cord	133.0381.468	1
312	Capacitor	133.0060.648	1
399	Motor Kit	133.0554.637	1