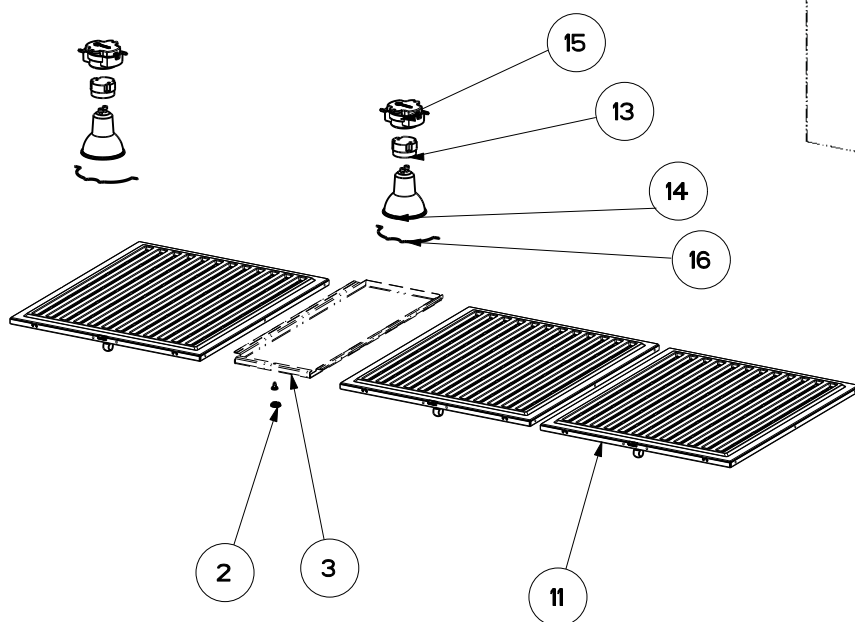
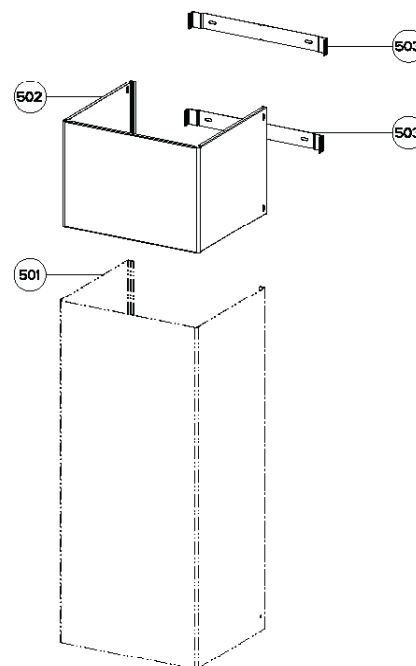
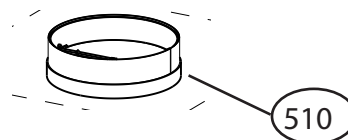
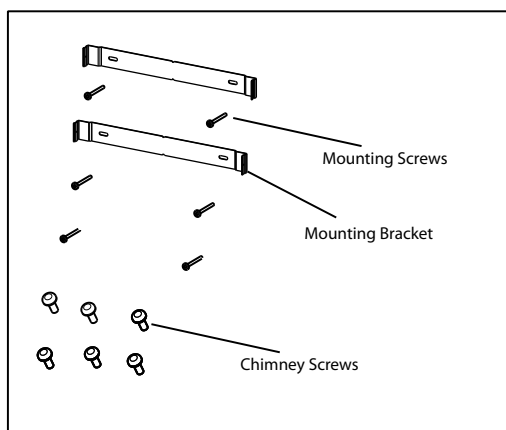


DAMA 2019 SSV

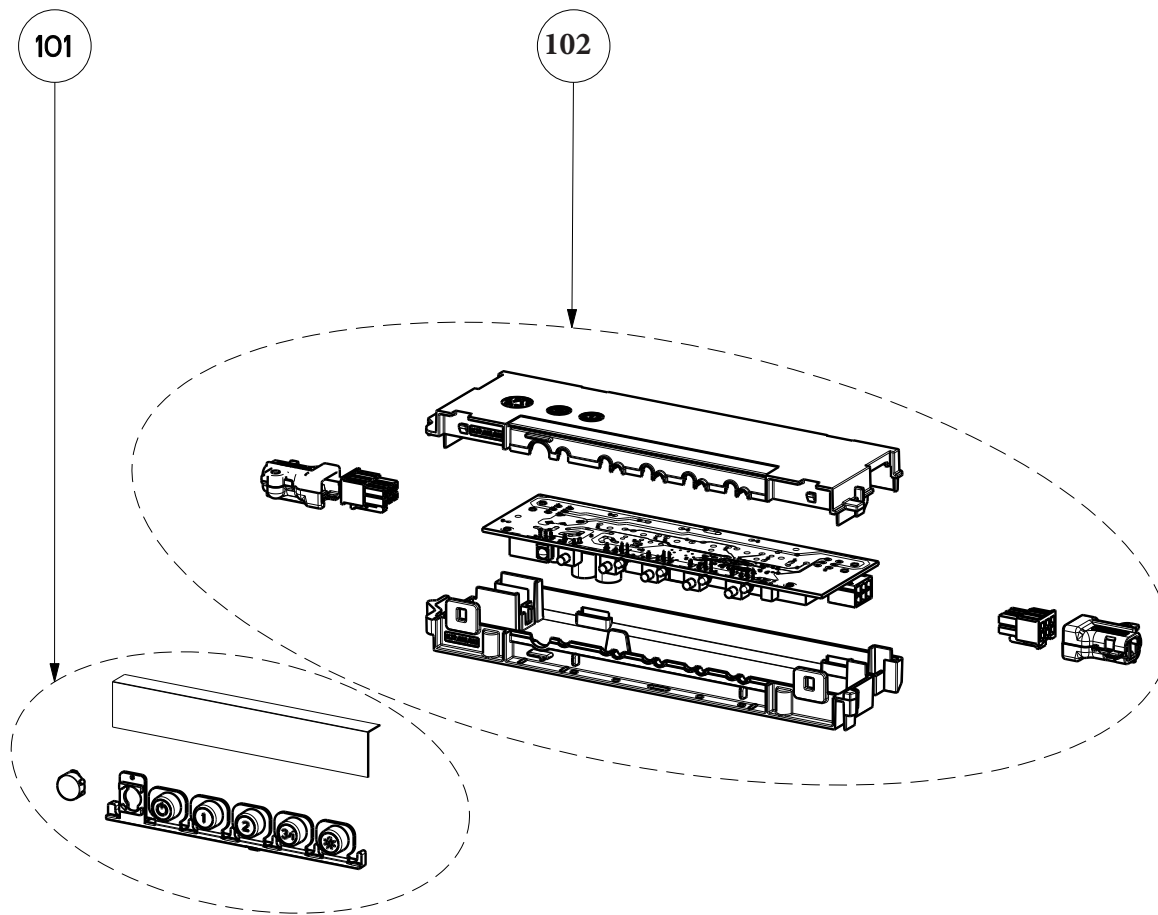
body / chimney components



Key	Model Number	DAMA30SSV	DAMA36SSV	Qty Req.
2	Rubber Stopper	133.0017.608		1
3	Filter spacer	133.0530.758		1
11	Grease Filter Baffle	133.0018.482	133.0018.482	2 (30"), 3 (36")
13	Lamp Holder	133.0071.013	133.0071.013	1
14	LED Bulb	133.0486.867	133.0486.867	2
15	Lamp holder Support	133.0198.226	133.0198.226	2
16	Bulb Clip	133.0441.210	133.0441.210	1
501	Lower Chimney	133.0536.765	133.0536.765	1
502	Upper Chimney	133.0173.210	133.0173.210	1
503	Chimney Brackets	133.0046.952	133.0046.952	1
510	Damper	133.0055.994	133.0055.994	1
50	Installation Hardware	133.0084.478	133.0084.478	1

DAMA 2019 SSV

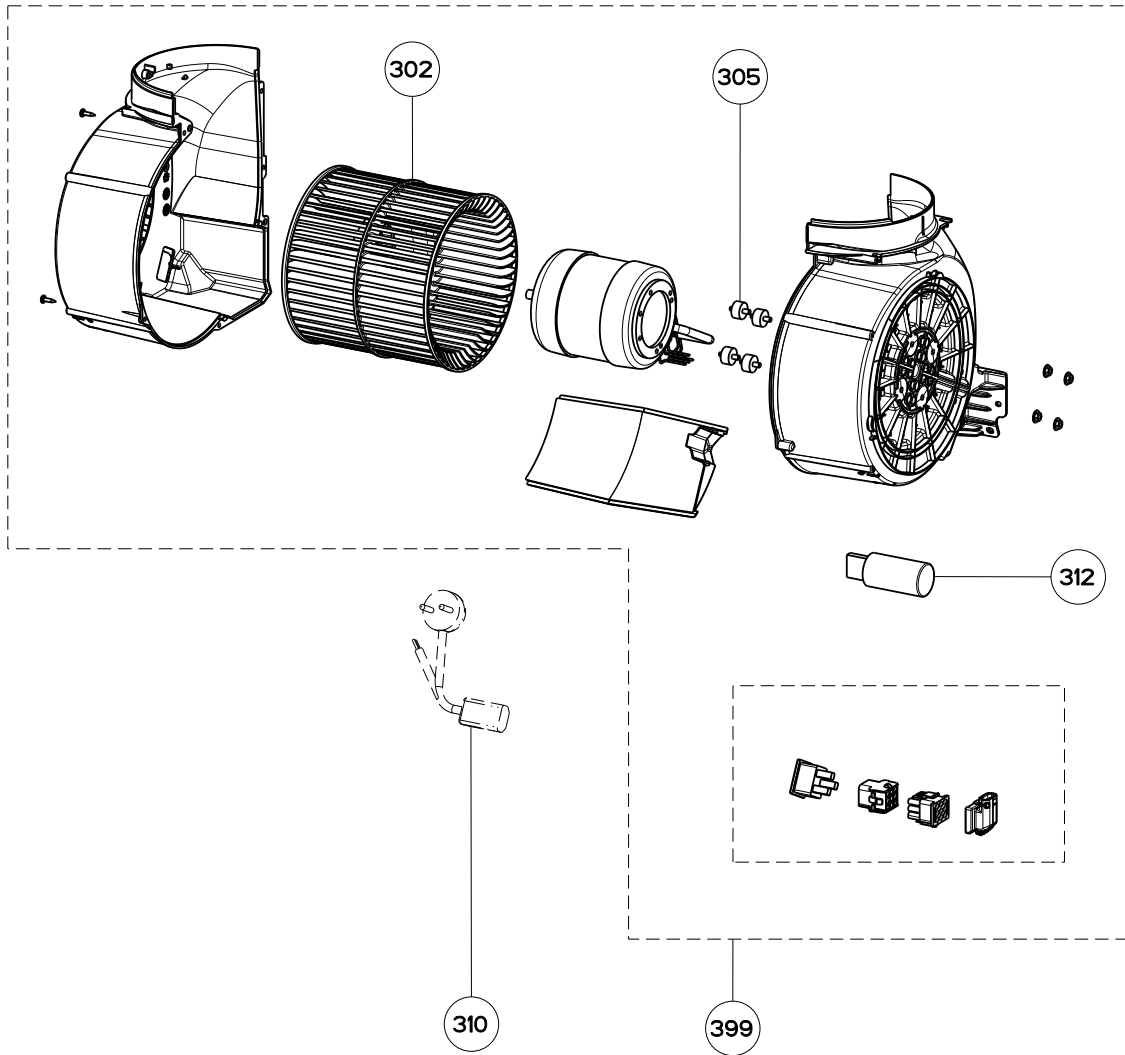
switch components



	Model Number	DAMA30SSV	DAMA36SSV	
Key	Description	30 Stainless	36 Stainless	Qty Req.
101	Button Kit	133.0380.478	133.0380.478	1
102	Control Board Kit	133.0524.811	133.0524.811	1

DAMA 2019 SSV

motor components



	Model Number	DAMA30SSV	DAMA36SSV	
Key	Description	30 Stainless	36 Stainless	Qty Req.
302	Impeller Kit	133.0052.799	133.0052.799	1
305	Rubber Motor Mount	133.0051.604	133.0051.604	1
310	Power Cord	133.0381.468	133.0381.468	1
312	Capacitor	133.0060.648	133.0060.648	1
399	Motor Group 600 cfm	133.0554.637	133.0554.637	1