

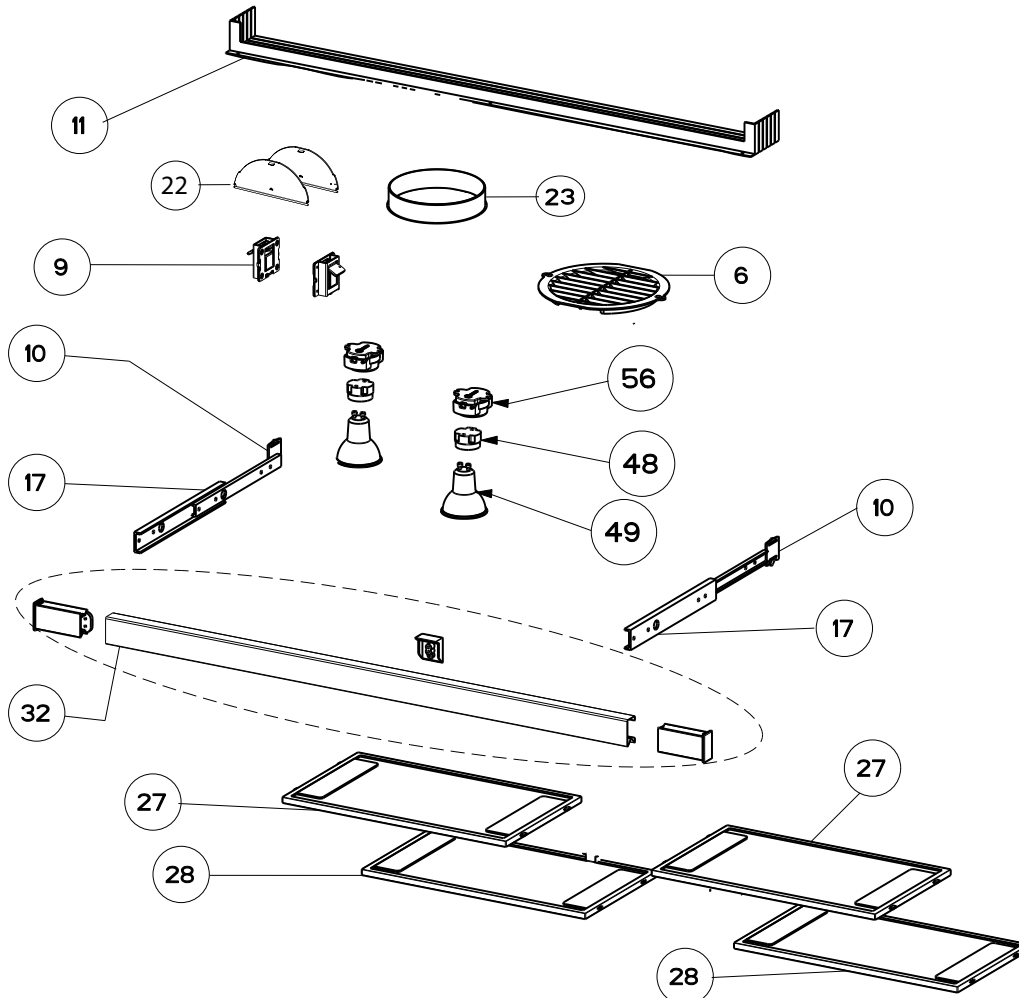
CRISTAL SS 2018 (LED) (Serial # Starts 8, 9 or A thru G)

Look for the following identifiers:



Cristal LED

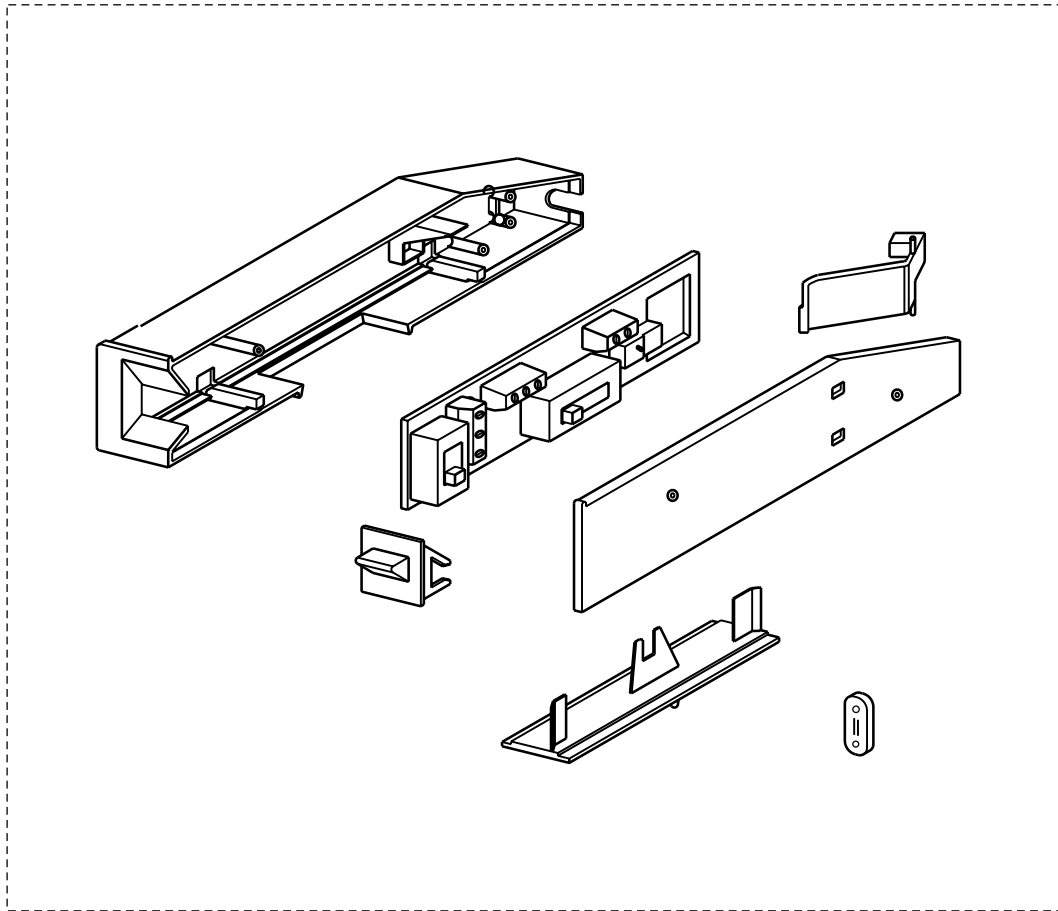
body components



Key	Model Number	CRIS30SS300	CRIS36SS300	CRIS30SS400	CRIS36SS400	CRIS30SS600	CRIS36SS600	Qty Req.
6	Ductless Vent Grate	133.0016.964	133.0016.964	133.0016.964	133.0016.964	133.0016.964	133.0016.964	1
9	Hinge Clips Kit (2 in kit)	133.0078.993	133.0078.993	133.0078.993	133.0078.993	133.0078.993	133.0078.993	1
10	Limit Switch Kit	133.0073.613	133.0073.613	133.0073.613	133.0073.613	133.0073.613	133.0073.613	1
11	Plastic filler strips	133.0373.432	133.0434.595	133.0373.432	133.0434.595	133.0373.432	133.0434.595	1
17	Slide Guide	133.0068.113	133.0068.113	133.0068.113	133.0068.113	133.0068.113	133.0068.113	1
22	Damper	133.0522.831	133.0522.831	133.0522.831	133.0522.831	133.0522.831	133.0522.831	1
23	Metal Damper Collar	133.0653.126	133.0653.126	133.0653.126	133.0653.126	133.0653.126	133.0653.126	1
27	Front Grease Filters	133.0073.620	133.0073.623	133.0073.620	133.0073.623	133.0073.620	133.0073.623	2
28	Rear Grease Filters	133.0073.621	133.0073.624	133.0073.621	133.0073.624	133.0073.621	133.0073.624	2
32	Stainless Front Trim	133.0335.893	133.0335.895	133.0335.893	133.0335.895	133.0335.893	133.0335.895	1
48	Lampholder	133.0505.649	133.0505.649	133.0505.649	133.0505.649	133.0505.649	133.0505.649	1
49	LED Bulb	133.0486.867	133.0486.867	133.0486.867	133.0486.867	133.0486.867	133.0486.867	2
56	Lamp holder Support	133.0198.226	133.0198.226	133.0198.226	133.0198.226	133.0198.226	133.0198.226	2

CRISTAL SS 2018 (LED) (Serial # Starts 8, 9 or A thru G)

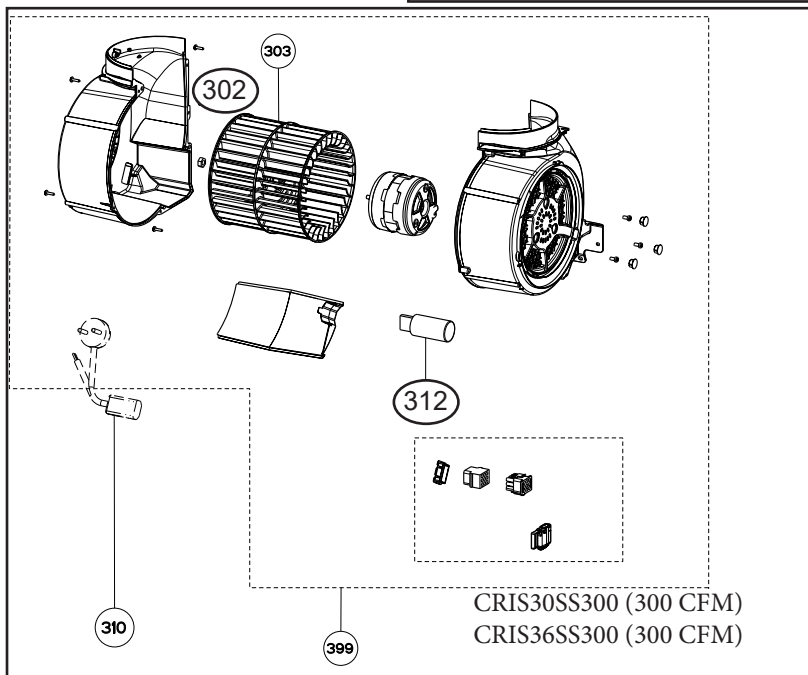
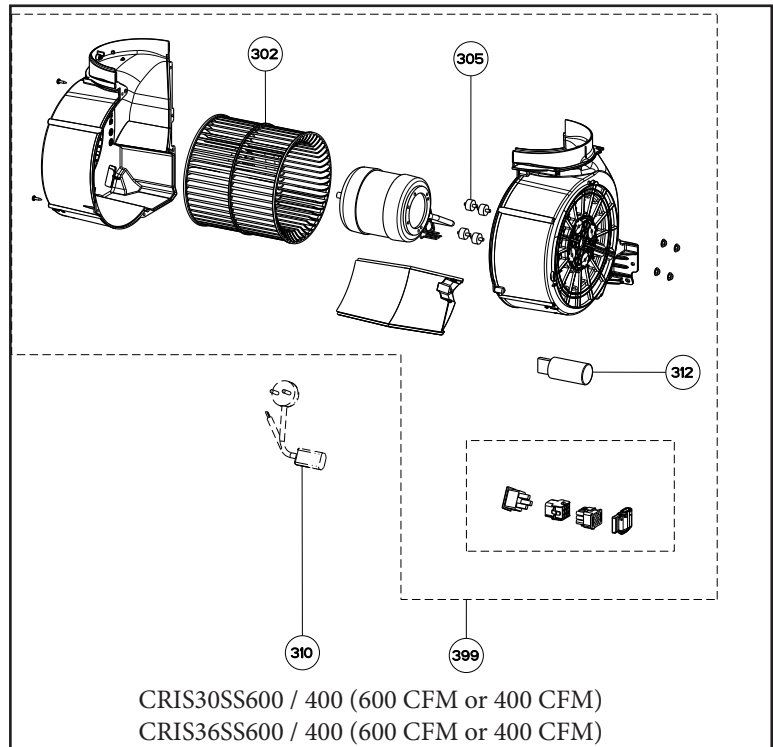
control components



199

	Model Number	CRIS30SS300	CRIS36SS300	CRIS30SS400	CRIS36SS400	CRIS30SS600	CRIS36SS600	
Key	Description	30	36	30	36	30	36	Qty Req.
199	Control Board Kit	133.0336.159	133.0336.159	133.0336.159	133.0336.159	133.0336.159	133.0336.159	1

CRISTAL SS 2018 (LED)
(Serial # Starts 8, 9 or A thru G)
 motor components



	Model Number	CRIS30SS300	CRIS36SS300	CRIS30SS400	CRIS36SS400	CRIS30SS600	CRIS36SS600	
Key	Description	30	36	30	36	30	36	Qty Req.
302	Impeller Kit (2 in kit)	133.0178.632	133.0178.632	133.0502.222	133.0502.222	133.0052.799	133.0052.799	1
305	Rubber Motor Mount Kit			133.0051.603	133.0051.603	133.0051.604	133.0051.604	1
310	Power Cord	133.0381.468	133.0381.468	133.0381.468	133.0381.468	133.0381.468	133.0381.468	1
312	Capacitor (Serial #s to 838)	133.0071.827	133.0071.827	133.0060.648	133.0060.648	133.0060.648	133.0060.648	1
312	Capacitor (Serial #s 839 and newer 9xx)	133.0277.292	133.0277.292	133.0060.648	133.0060.648	133.0060.648	133.0060.648	1
399	Motor Group Kit (Serial #s to 838)	133.0464.899	133.0464.899	133.0491.511	133.0491.511	133.0381.523	133.0381.523	1
399	Motor Group Kit (Serial #s 839 and newer 9xx)	133.0552.683	133.0552.683	133.0491.511	133.0491.511	133.0381.523	133.0381.523	1