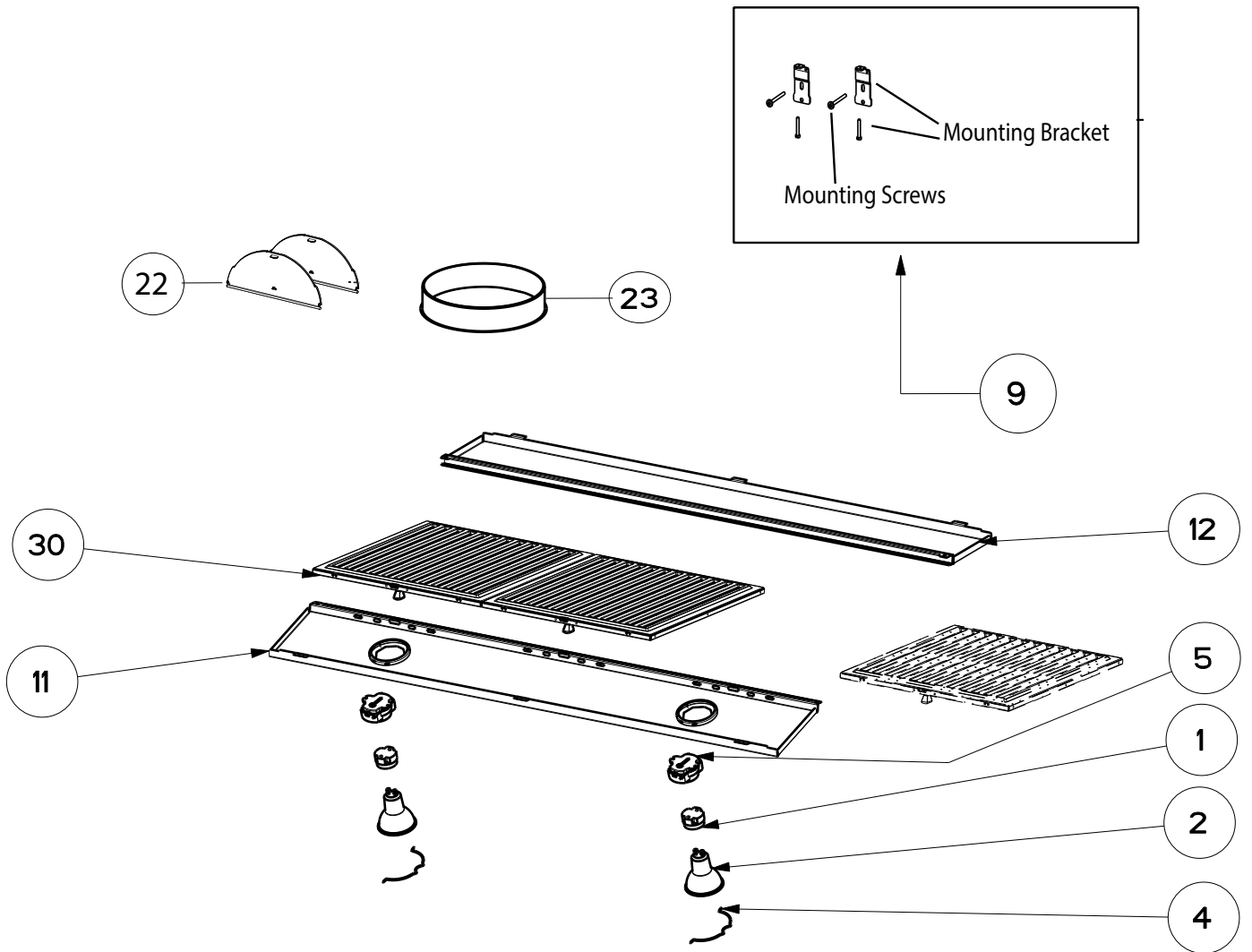


OSTRO (Serial # Starts 8, 9 or A thru C)

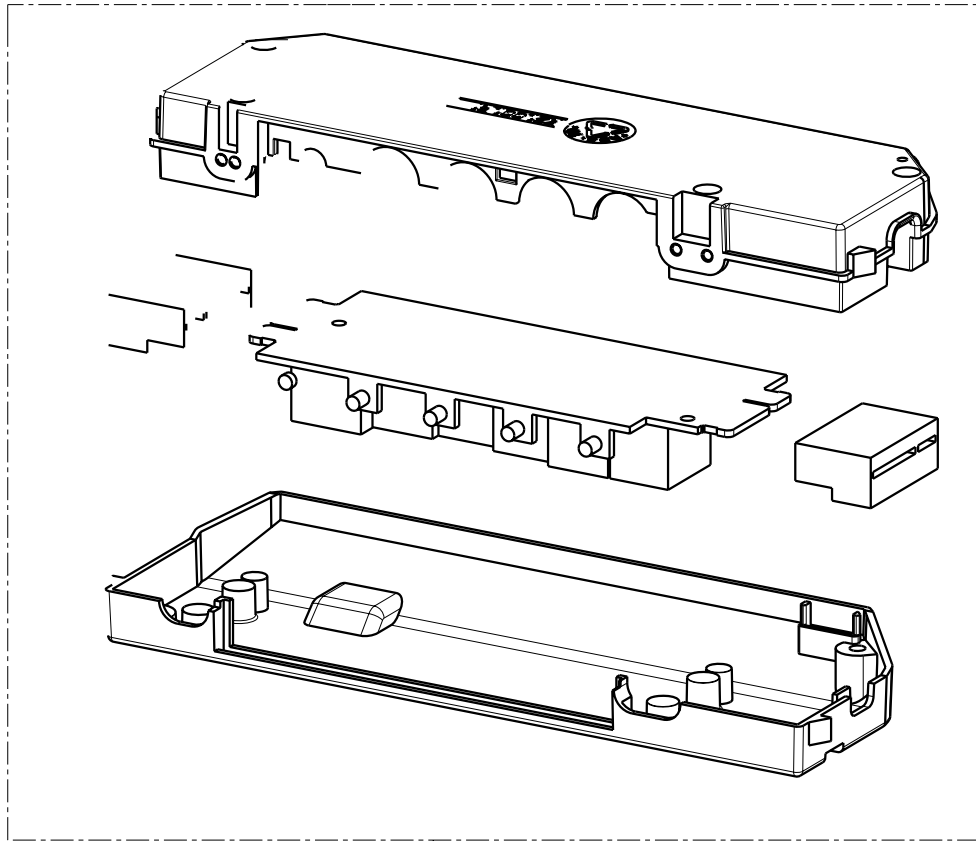
body components



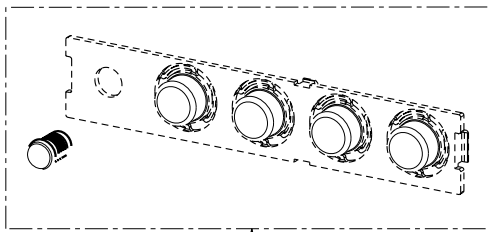
|     | Model Number           | OSTR30SS400  | OSTR36SS400  |                     |
|-----|------------------------|--------------|--------------|---------------------|
| Key | Description            | 30 Stainless | 36 Stainless | Qty Req.            |
| 1   | Lamp Holder            | 133.0071.013 | 133.0071.013 | 1                   |
| 2   | Halogen Lamp 35 W GU10 | 133.0380.488 | 133.0380.488 | 2                   |
| 2   | LED Bulb (upgrade)     | 133.0486.867 | 133.0486.867 | 2                   |
| 4   | Bulb Clip              | 133.0200.447 | 133.0200.447 | 1                   |
| 5   | Lamp holder Support    | 133.0198.226 | 133.0198.226 | 2                   |
| 9   | Mounting Kit           | 133.0084.484 | 133.0084.484 | 1                   |
| 11  | Lamp Support           | 133.0396.002 |              | 1                   |
| 12  | Filter Support         | 133.0396.003 | 133.0433.377 | 1                   |
| 22  | Damper                 | 133.0522.831 | 133.0522.831 | 1                   |
| 23  | Metal Damper Collar    | 133.0653.126 | 133.0653.126 | 1                   |
| 30  | Grease Filter          | 133.0018.482 | 133.0018.482 | 2 (30"),<br>3 (36") |

OSTRO (Serial # Starts 8, 9 or A thru C)

switch components



190

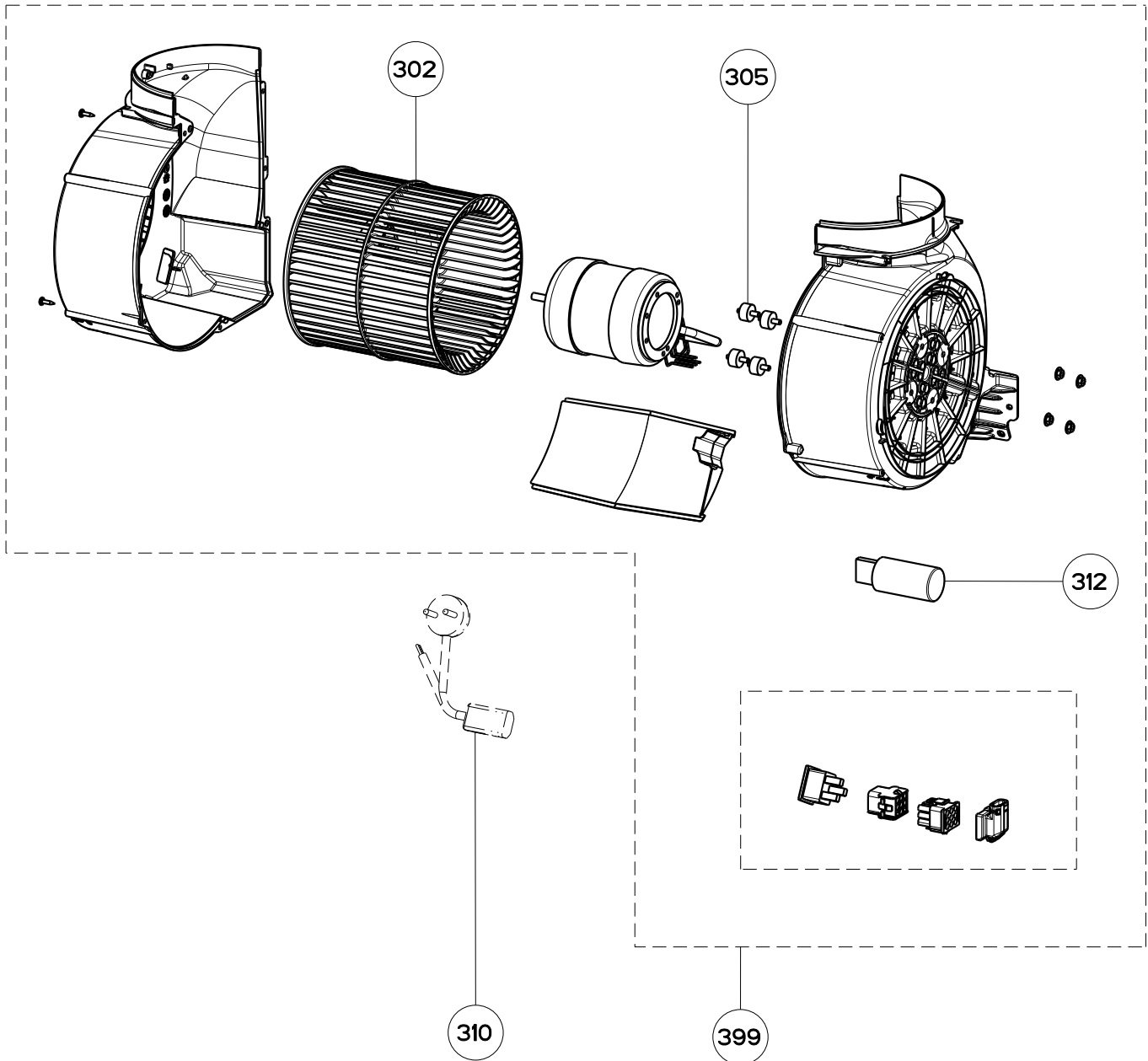


101

|     | Model Number       | OSTR30SS400  | OSTR36SS400  |          |
|-----|--------------------|--------------|--------------|----------|
| Key | Description        | 30 Stainless | 36 Stainless | Qty Req. |
| 101 | Control Button Kit | 133.0533.624 | 133.0533.624 | 1        |
| 190 | Control Board Kit  | 133.0533.622 | 133.0533.622 | 1        |

OSTRO (Serial # Starts 8, 9 or A thru C)

motor components



|     | Model Number                      | OSTR30SS400  | OSTR36SS400  |          |
|-----|-----------------------------------|--------------|--------------|----------|
| Key | Description                       | 30 Stainless | 36 Stainless | Qty Req. |
| 302 | Impeller Kit (2 in kit)           | 133.0502.222 | 133.0502.222 | 1        |
| 305 | Rubber Motor Mount Kit (2 in Kit) | 133.0051.603 | 133.0051.603 | 1        |
| 310 | Power Cord                        | 133.0381.468 | 133.0381.468 | 1        |
| 312 | Capacitor                         | 133.0060.648 | 133.0060.648 | 1        |
| 399 | Motor Kit                         | 133.0491.511 | 133.0491.511 | 1        |