

THE #1 CHOICE IN PROFESSIONAL WALL HOODS. The updated Maestrale by Faber is a 18" tall , 25" deep under cabinet wall hood with a 600 or 1200 CFM PRO all metal impellers. With baffle style grease filters, top or direct rear venting, welded, wrapped and polished corners, this unbranded hood can be easily mixed and matched with any cooking brand of your choice.



AVAILABLE MODELS

Model #	Size / Color	Motor Class (CFM)	Sound Levels (sones)
MAES3018SS600-B	30 Stainless	600 CFM	2.8 - 7.5 sones
MAES3618SS600-B	36 Stainless	600 CFM	2.8 - 7.5 sones
MAES3618SS1200-B	36 Stainless	1200 CFM	5.0 - 12.0 sones
MAES4218SS1200-B	42 Stainless	1200 CFM	5.0 - 12.0 sones
MAES4818SS1200-B	48 Stainless	1200 CFM	5.0 - 12.0 sones

KEY FEATURES

Pro Motor

The motor in this hood is surrounded in metal with all metal impellers for top performance

Adjustable Mounting Hardware

Wall brackets are adjustable once the hood is hung to insure a perfect level installation

VariDuct System Top and Rear Direct Venting

Easy kitchen integration with top and direct rear venting and recirculation options.

Baffle Grease Filters

Dishwasher safe SS metal filters capture grease and allow for easy clean up in the dishwasher

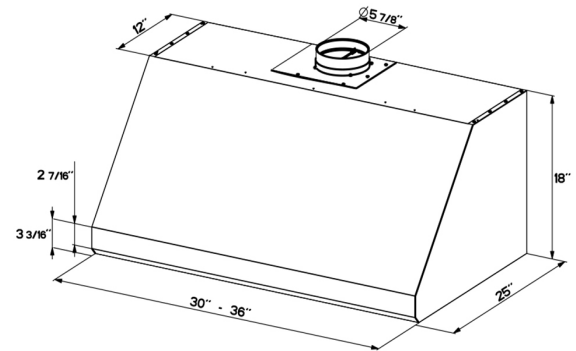
MAESTRALE 18 WALL RANGE HOOD



SPECIFICATIONS

DIMENSIONS

depth / height	25" d / 18" h
convertible to ductless / recirculating	yes - kit sold separately
controls	3 speed slider w/ led indicator
lighting	2 (30") or 3 (36", 42") or 4 (48") x 5 (w) led
ducting top / rear (Vari-duct)	6" round / 2 x 6" round on 1200 cfm models (top or back)
grease filters	dishwasher safe stainless steel baffle
pro motor with metal impellers	yes
AC power	350 watts / 2.9 amps (600 cfm models)
power cord	yes - wire box optional



Front View 30", 36"

PERFORMANCE (600 CFM model)

SPEED	1	2	3
CFM	180	380	560
Sones	2.8	4.5	7.5

ACCESSORIES

DUCTGRT30 / DUCT-GRT36 -

Ductless Vent Grate Kit

A 4" tall stainless steel vent grate which is installed between the hood & the cabinet to recirculate the air back into the kitchen when ducting outside isn't possible. Includes the vent grate, hardware and charcoal filters.

CFMRED - CFM Reducer Kit*

For use in make up air areas where an under 300 cfm hood is required. This kit reduces the ducting to 5" round and reduces the cfm to under 300.

CFMRED2 - CFM Reducer Kit*

For use in make up air environments where an under 400 cfm hood is required. This kit reduces the ducting to 5" round and reduces the cfm from 400 to under.

WIREBOX - Fixed Wiring Box

Replace the power cord with a hard wired box to power the range hood.

FILTER1 - Charcoal Filter Kit

High quality charcoal filter for use when recirculating the air back into the kitchen. Filters out odor and should be replaced every 6 months.

FILTER1LL2 - Long Lasting Charcoal Filter Kit

New washable charcoal filter can be recharged and washed up to 8 times. For use when recirculating the air back into the kitchen. Filters out odor and can last up to 4 years.

FULL30 / FULL36 / FULL42 / FULL48

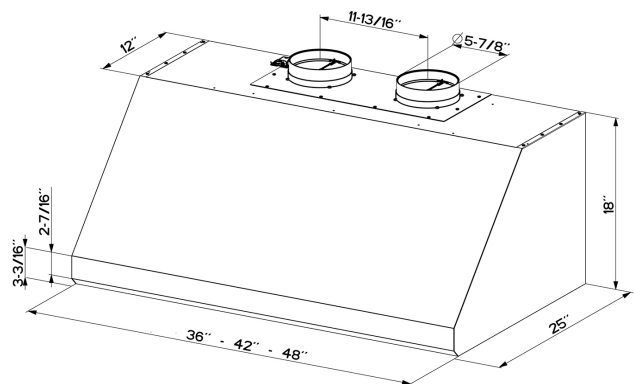
Full Width Duct Cover

12" high, extends full width of the hood.

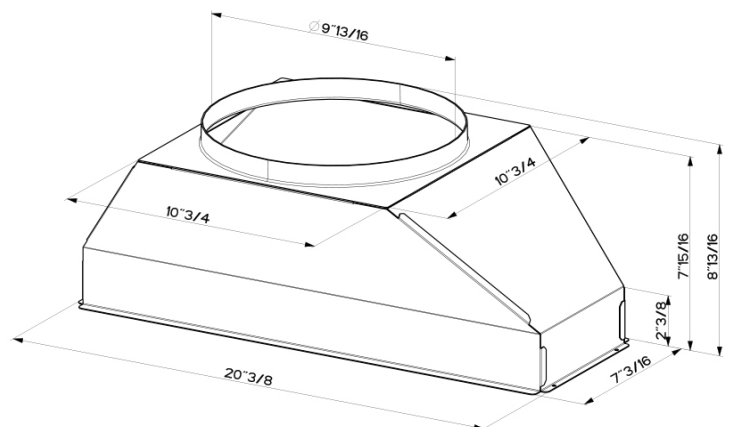
TELEMAES

Telescopic Chimney Cover

24" wide, extends to accommodate 8 - 9 foot ceilings.



Dual Blower Front View 36", 42" 48"



TRNSPRO 10" Transition

Product specifications are subject to change without notification. Consult the installation instructions before you begin installing this range hood. *Check local make up air codes for guidelines.

