

THE NEW AND IMPROVED INCA SMART. The Inca Smart power pack is perfect for the homeowner who wants a built in range hood that fits into most cabinets and most budgets. Now with a more modern look the Inca Smart Gray includes push button LED lighting and a power cord.



AVAILABLE MODELS

Model #	Size / Color	Motor Class (CFM)	Sound Levels (sones)
INSM21GR240	21 Gray	240 CFM	0.8 - 3.5
INSM28GR240	28 Gray	240 CFM	0.8 - 3.5

KEY FEATURES

***New* Self Supporting Liner**

The Self Supporting Liner in 30" and 36" cabinet widths. The range hood insert is fully supported by the liner. No need for cut outs or a cabinet bottom. Just attach the liner to the side walls of the cabinet and the hood attaches to the liner.

LED LIGHTING

4 (W) bulbs offers a 1 level long lasting LED light for your cooking surface.

Easy Snap Mounting Clips

Installation made easy with built-in adjustable clips that tighten onto the sides of the cabinet floor

Slide and Push Control

Easy to use 3 speed slide control and a push button for lighting.

INCA SMART GRAY

INSERT RANGE HOOD

FABER
AIR MATTERS

SPECIFICATIONS

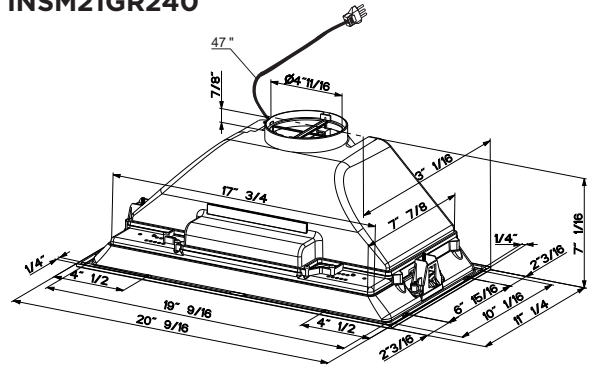
DIMENSIONS

cut out dimensions 21"	19 9/16" w x 10 1/4" d
cut out dimensions 28"	26 5/8" w x 10 1/4" d
body width depth	20 9/16" (21") 27 9/16" (28") w X 11 1/4" d
height inside cabinet	7 1/16"
convertible to ductless	yes - FILTER4
controls	3 speed slider
lighting	2 X 4 (w) LED - 1 Level
ducting top	5" round
grease filters	dishwasher safe mesh
built in mounting hardware	yes - easy snap mounting clips
power cord included	yes

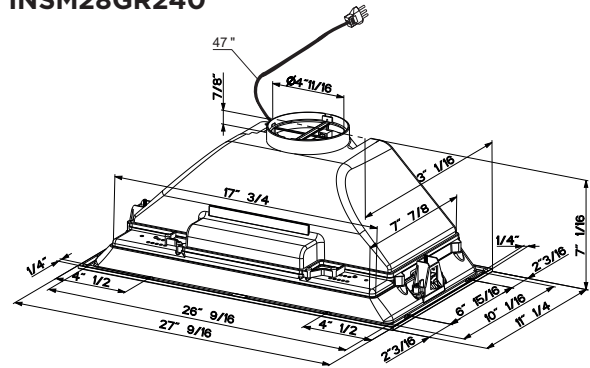
PERFORMANCE

SPEED	1	2	3
CFM	85	160	240
Sones	0.8	1.8	3.5

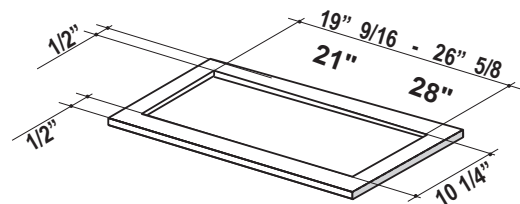
INSM21GR240



INSM28GR240



CUT OUT (ALL MODELS)



ACCESSORIES

FILTER4 - Charcoal Filter Kit

High quality charcoal filter for use when recirculating the air back into the kitchen. Filters out odor and should be replaced every 6 months. Some ductwork is required to exhaust the unit out of the cabinet.

LINE24ST - Stainless Steel Liner 24" (INSM21GR240 ONLY)

Create a perfectly sealed, non-combustible 4" tall perimeter to "line" the wood below the Inca Smart. Depth adjustable from 16" - 17 7/8".

See page 3 for more information.

LINE30ST / LINE36ST - Stainless Steel Liner 30 & 36" (INSM28GR240 ONLY)

Create a perfectly sealed, non-combustible 4" tall perimeter to "line" the wood below the Inca Smart. Depth adjustable from 16" - 17 7/8".

See page 3 for more information.

LINSPT301228 - Stainless Steel Liner 30" (INSM28GR240 ONLY)

See page 3 for more information.

LINSPT361228 - Stainless Steel Liner 36" (INSM28GR240 ONLY)

See page 3 for more information.

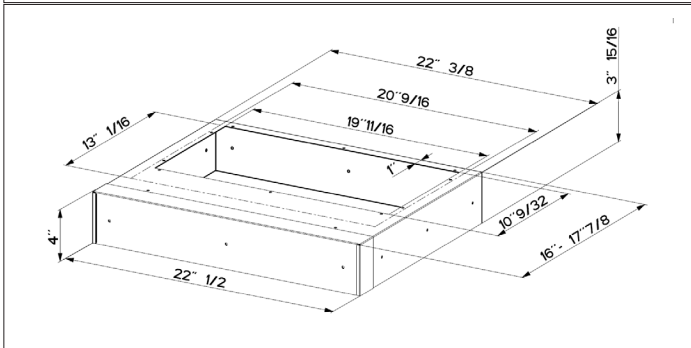
Product specifications are subject to change without notification. Consult the installation instructions before you begin installing this range hood. *Check local make up air codes for guidelines.



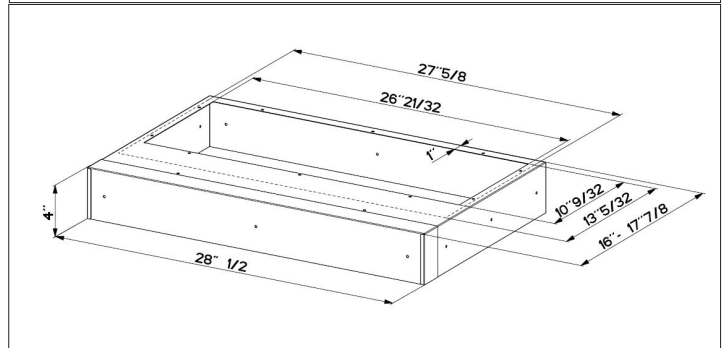
LINER SPECIFICATIONS

Liners are stainless steel kits that are optional for cabinet insert hoods. They create a metal perimeter to “line” the wood below the range hood with metal. They create a more finished look and move the range hood up creating additional capture area. In some cases, a liner may be required by local code if the cabinet starts at below 30” off the stove (check local building codes). All liners are adjustable in depth with a telescoping frame.

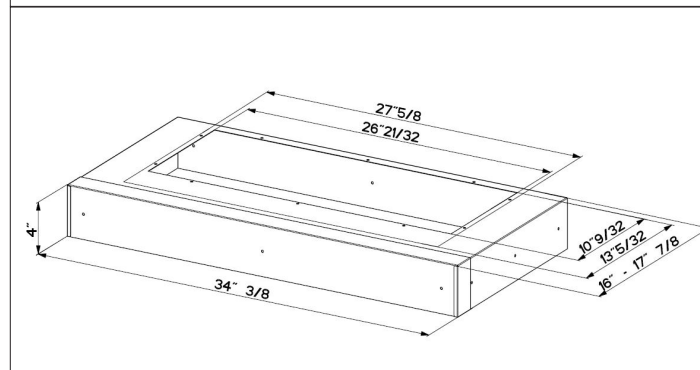
LINE24ST - USE WITH INSM21 ONLY FOR 24” WIDE CABINETS



LINE30ST - USE WITH INSM28 ONLY FOR 30” WIDE CABINETS



LINE36ST - USE WITH INSM28 ONLY FOR 36” WIDE CABINETS



LINSPT301228 / LINSPT361228 SELF SUPPORTING LINER USE WITH INSM28GR240 ONLY

The liner is installed with screws against the walls of the cabinet, aligned with the cabinet bottom. The hood is installed onto the thick metal interior portion of the liner and is fully supported by the liner.

