

INCA PRO PLUS

Installation Instructions
Use and Care Information
Instructions d'installation
Utilisez et d'entretien

INPL3019SSNB-B
INPL3619SSNB-B
INPL3622SSNB-B
INPL4219SSNB-B
INPL4819SSNB-B
INPL4822SSNB-B

READ AND SAVE THESE INSTRUCTIONS BEFORE YOU START INSTALLING THIS RANGEHOOD

WARNING: - TO REDUCE THE RISK OF A RANGE TOP GREASE FIRE:

- a) Never leave surface units unattended at high settings. Boilovers cause smoking and greasy spillovers that may ignite. Heat oils slowly on low or medium setting.
- b) Always turn hood ON when cooking at high heat or when flambeing food (i.e. Crepes Suzette, Cherries Jubilee, Peppercorn Beef Flambé).
- c) Clean ventilating fans frequently. Grease should not be allowed to accumulate on fan or filter.
- d) Use proper pan size. Always use cookware appropriate for the size of the surface element.

WARNING: - TO REDUCE THE RISK OF INJURY TO PERSONS IN THE EVENT OF A RANGE TOP GREASE FIRE, OBSERVE THE FOLLOWING*:

- a) **SMOTHER FLAMES** with a close-fitting lid, cookie sheet, or metal tray, then turn off the burner. **BE CAREFUL TO PREVENT BURNS.** If the flames do not go out immediately **EVACUATE AND CALL THE FIRE DEPARTMENT.**
- b) **NEVER PICK UP A FLAMING PAN** - You may be burned.
- c) **DO NOT USE WATER**, including wet dishcloths or towels - a violent steam explosion will result.
- d) Use an extinguisher **ONLY** if:
 - 1. You know you have a Class ABC extinguisher, and you already know how to operate it.
 - 2. The fire is small and contained in the area where it started.
 - 3. The fire department is being called.
 - 4. You can fight the fire with your back to an exit.

* Based on "Kitchen Firesafety Tips" published by NFPA

WARNING - TO REDUCE THE RISK OF FIRE OR ELECTRIC SHOCK, do not use this fan with any solid-state speed control device.

WARNING - TO REDUCE THE RISK OF FIRE, ELECTRIC SHOCK, OR INJURY TO PERSONS, OBSERVE THE FOLLOWING:

- a) Use this unit only in the manner intended by the manufacturer. If you have any questions, contact the manufacturer.
- b) Before servicing or cleaning unit, switch power off at service panel and lock the service disconnecting means to prevent power from being switched on accidentally.
When the service disconnecting means cannot be locked, securely fasten a prominent warning device, such as a tag, to the service panel.

CAUTION: For General Ventilating Use Only. Do Not Use To Exhaust Hazardous or Explosive Materials and Vapors.

WARNING - TO REDUCE THE RISK OF FIRE, ELECTRICAL SHOCK, OR INJURY TO PERSONS, OBSERVE THE FOLLOWING:

- 1. Installation Work And Electrical Wiring Must Be Done By Qualified Person(s) In Accordance With All Applicable Codes And Standards, Including Fire-Rated Construction.
- 2. Sufficient air is needed for proper combustion and exhausting of gases through the flue (chimney) or fuel burning equipment to prevent backdrafting. Follow the heating equipment manufacturer's guideline and safety standards such as those published by the National Fire Protection Association (NFPA), and the American Society for Heating, Refrigeration and Air Conditioning Engineers (ASHRAE), and the local code authorities.

3. **When cutting or drilling into wall or ceiling, do not damage electrical wiring and other hidden utilities.**
4. **Ducted fans must always be vented to the outdoors.**

ALL WALL AND FLOOR OPENINGS WHERE THE RANGEHOOD IS INSTALLED
MUST BE SEALED.

This rangehood requires at least 24" of clearance between the bottom of the rangehood and the cooking surface or countertop. This hood has been approved by UL at this distance from the cooktop. This minimum clearance may be higher depending on local building codes. For gas cooktops and combination ranges, a minimum of 30" is recommended and may be required.

Overhead cabinets on both sides of this unit must be a minimum of 18" above the cooking surface or countertop. Consult the cooktop or range installation instructions given by the manufacturer before making any cutouts.

MOBILE HOME INSTALLATION The installation of this rangehood must conform to the Manufactured Home Construction and Safety Standards, Title 24 CFR, Part 3280 (formerly Federal Standard for Mobile Home Construction and Safety, Title 24, HUD, Part 280). See Electrical Requirements.

VENTING REQUIREMENTS

Determine which venting method is best for your application. Ductwork can extend either through the wall or the roof.

The length of the ductwork and the number of elbows should be kept to a minimum to provide efficient performance. The size of the ductwork should be uniform. Do not install two elbows together. Use duct tape to seal all joints in the ductwork system. Use caulking to seal exterior wall or floor opening around the cap.

Flexible ductwork is not recommended. Flexible ductwork creates back pressure and air turbulence that greatly reduces performance.

Make sure there is proper clearance within the wall or floor for exhaust duct before making cutouts. Do not cut a joist or stud unless absolutely necessary. If a joist or stud must be cut, then a supporting frame must be constructed.

WARNING - To Reduce The Risk Of Fire, Use Only Metal Ductwork.

CAUTION - To reduce risk of fire and to properly exhaust air, be sure to duct air outside – Do not vent exhaust air into spaces within walls or ceilings or into attics, crawl spaces, or garages.



WARNING

- Venting system **MUST** terminate outside the home.
- **DO NOT** terminate the ductwork in an attic or other enclosed space.
- **DO NOT** use 4" laundry-type wall caps.
- Flexible-type ductwork is not recommended.
- **DO NOT** obstruct the flow of combustion and ventilation air.
- Failure to follow venting requirements may result in a fire.

ELECTRICAL REQUIREMENTS

A 120 volt, 60 Hz AC-only electrical supply is required on a separate 15 amp fused circuit. A time-delay fuse or circuit breaker is recommended. The fuse must be sized per local codes in accordance with the electrical rating of this unit as specified on the serial/rating plate located inside the unit near the field wiring compartment.

ELECTRICAL INSTALLATION WITH WIRING BOX

THIS UNIT MUST BE CONNECTED WITH COPPER WIRE ONLY. Wire sizes must conform to the requirements of the National Electrical Code, ANSI/NFPA 70 - latest edition, and all local codes and ordinances. Wire size and connections must conform with the rating of the appliance. Copies of the standard listed above may be obtained from:

National Fire Protection Association
Batterymarch Park
Quincy, Massachusetts 02269

This appliance should be connected directly to the fused disconnect (or circuit breaker) through flexible, armored or nonmetallic sheathed copper cable. Allow some slack in the cable so the appliance can be moved if servicing is ever necessary. A UL Listed, 1/2" conduit connector must be provided at each end of the power supply cable (at the appliance and at the junction box).

When making the electrical connection, cut a 1 1/4" hole in the wall. A hole cut through wood must be sanded until smooth. A hole through metal must have a grommet.



WARNING

- Electrical ground is required on this rangehood.
- If cold water pipe is interrupted by plastic, nonmetallic gaskets or other materials, DO NOT use for grounding.
- DO NOT ground to a gas pipe.
- DO NOT have a fuse in the neutral or grounding circuit. A fuse in the neutral or grounding circuit could result in electrical shock.
- Check with a qualified electrician if you are in doubt as to whether the rangehood is properly grounded.
- Failure to follow electrical requirements may result in a fire.

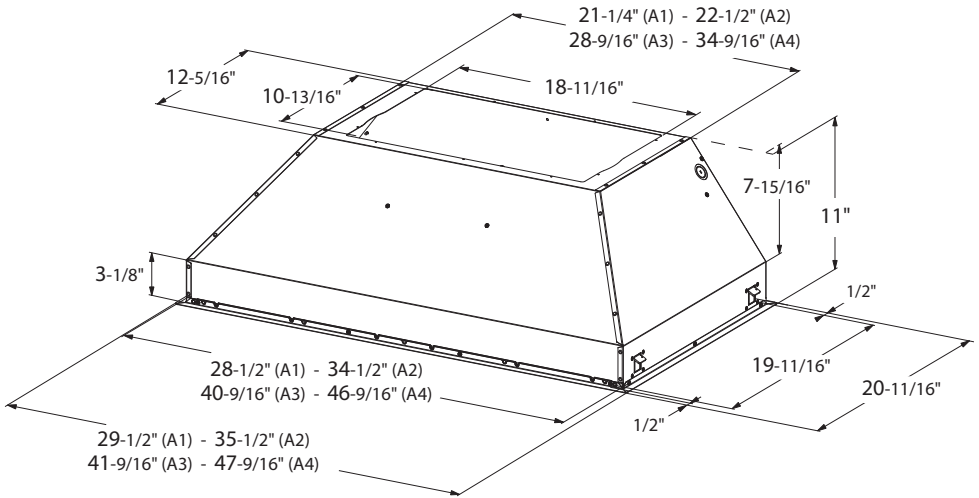
State of California Proposition 65 Warning (US only)

WARNING

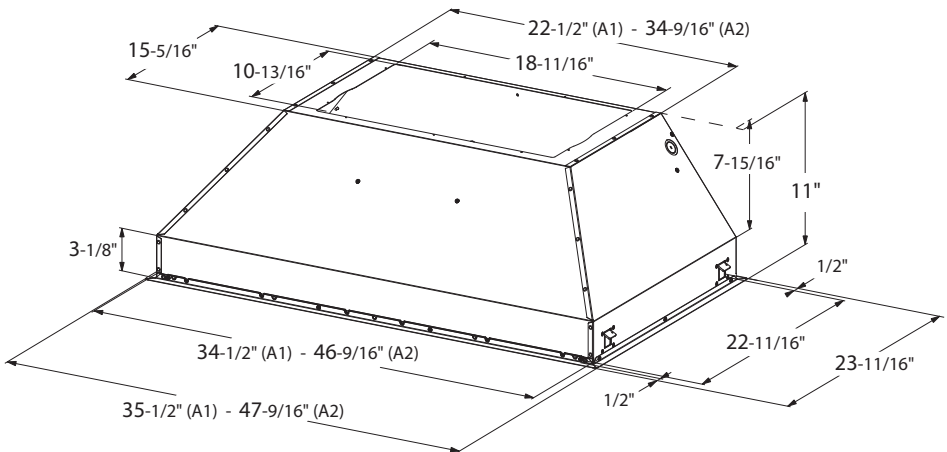
This product contains chemicals known to the State of California to cause cancer and birth defects or other reproductive harm.

For more information go to www.P65Warnings.ca.gov

RANGEHOOD DIMENSIONS

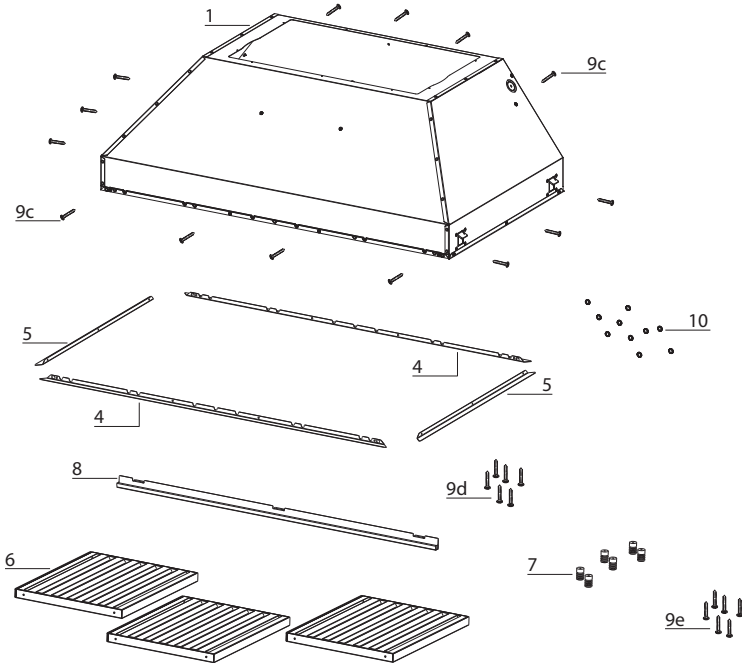


Index	Model #
A1	INPL3019SSNB-B
A2	INPL3619SSNB-B
A3	INPL4219SSNB-B
A4	INPL4819SSNB-B



Index	Model #
A1	INPL3622SSNB-B
A2	INPL4822SSNB-B

MAIN PARTS



Components

Ref.	Qty.	Product Components
1	1	Hood Body, complete with: Controls, Light, Filters, Blower.
4	2	Front / back trim
5	2	Left/right trim
6	2	Grease filters (30")
6	3	Grease filters (36" - 42")
6	4	Grease filters (48")
7	4	Filter knobs (30")
7	6	Filter knobs (36" - 42")
7	8	Filter knobs (48")
8	1	Grease rail
10	10	Stopper

Ref.	Qty.	Installation Components
9c	14	Install screws (1/8"x1/4")
9d	6	Install screws (1/8"x5/16")
9e	4	Grease filters screws (3/16"x5/16" - 30")
9e	6	Grease filters screws (5/32"x5/16" - 36" - 42")
9e	8	Grease filters screws (5/32"x5/16" - 48")

Qty.	Documentation
1	Instruction Manual

Available Accessories

Activated Charcoal
Filter sku #; FILTER1
Activated Charcoal
Filter sku #; FILTER1LL



Internal 300 cfm Blower sku #; IB300

Internal 600 cfm PRO Blower sku #;
IB600

Internal 1,200 cfm PRO Blower sku #;
IB1200

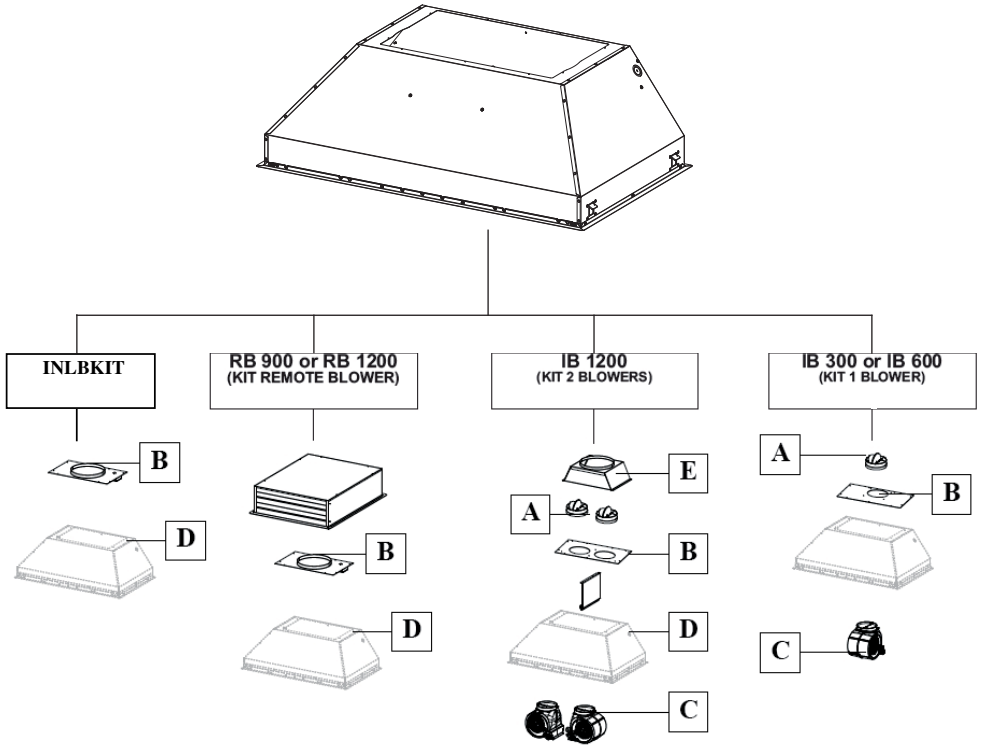
Remote Blower 900 cfm
sku #; RB900

Remote Blower 1,200 cfm
sku #; RB1200

In-Line Blower Connection Kit sku #;
INLBKIT

INSTALLATION

COMBINATIONS HOOD AND MOTOR KITS

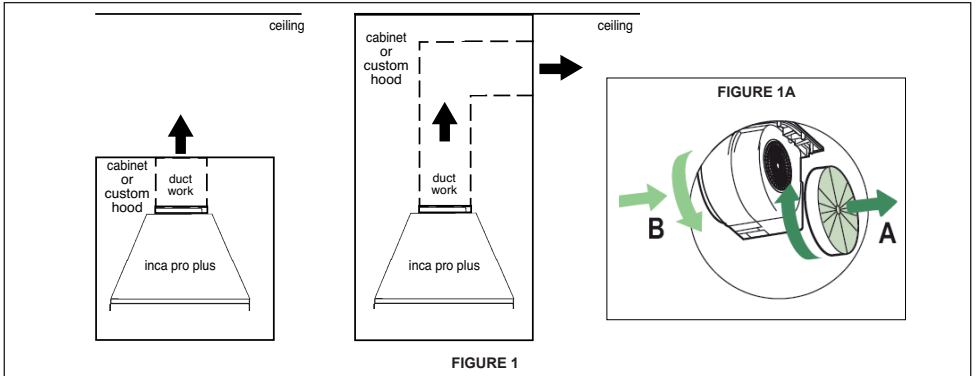


For the 30" Inca it is recommended that blowers are kept at MAX. CFM of 600.

CAUTION - To reduce the risk of fire and electric shock, install this rangehood only with Remote blower manufactured by Faber models RB900 and RB1200, or Internal blower manufactured by Faber models IB300 or IB600 or IB1200 with the INLBKIT accessory kit purchased separately. When using a generic In-Line Blower or Remote Blower it must be rated maximum 4.2 A suitable for use with solid state variable speed control and also used with the INBKLIT accessory kit purchased separately.

RECIRCULATING INSTALLATIONS

IT IS HIGHLY RECOMMENDED THAT PROFESSIONAL STYLE COOKING ALWAYS BE VENTED TO THE OUTSIDE. For recirculating installations (Figure 1), Charcoal Filters are necessary. Remove all grease filters and set aside. Attach one charcoal filter to each end of the blower. Each charcoal filter attaches to the grid on the side of the blower. Rotate the filter clockwise to install and counterclockwise to remove (Figure 1A). Replace all grease filters. Recirculating installations also require some duct work to divert the air out of the top or face or side of the cabinet or custom hood or out of the side / face of the soffit and back into the kitchen. Install at least 15" of vertical run of metal duct (Figure 1) at the air outlet. Run the duct vertically and secure it at the relevant opening previously cut out at the top or side of the cabinet or soffit. A metal duct cover grille is also recommended. The duct work must not terminate inside the cabinet or custom hood.



FOR ALL INSTALLATIONS REMOVE ALL WHITE PLASTIC PROTECTIVE COVERING FROM HOOD, SIDE RAILS, TRIM, GREASE RAILS AND GREASE FILTERS.

INSTALLATION WITH IB300 / IB600 INTERNAL BLOWER (300, 600 cfm)

1. Install the Plate B (Figure 2) which came with the internal blower kit, on top of the rangehood with the hole closer to the back of the hood. Use 9 screws supplied with the blower kit.
2. Remove the white plastic covering and install the 4 side trim pieces (4-5) to the outside of the hood using (14) part 9c screws, see the side trim installation in (Figure 3).



FIGURE 2

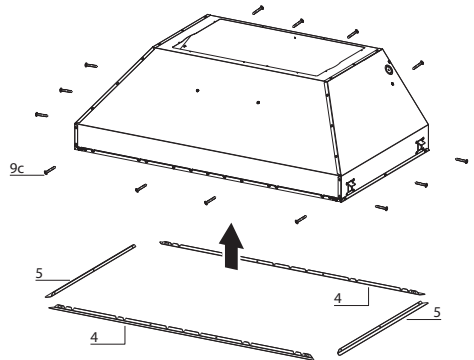


FIGURE 3

3. Install the motor kit into the back of the hood using the 2 screws supplied with the motor kit (Figure 4).

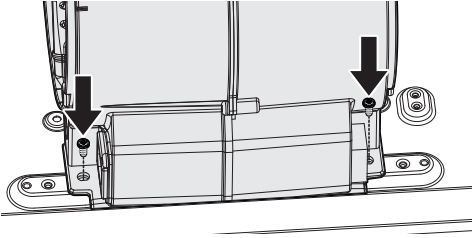


FIGURE 4

5. Connect the ductwork to the damper and seal all connections with duct tape.

6. Before installing the hood, put the damper A (which is located inside of Kit Internal 300 cfm Blower sku #; IB300 or Internal 600 cfm PRO Blower sku #; IB600) (Figure 6).



FIGURE 6

4. Connect the wire cable D (which is located inside of Kit Internal 300 cfm Blower sku #; IB300 or Internal 600 cfm PRO Blower sku #; IB600). Connect the 6 hole end to the wire box and connect the 9 hole end to the motor (Figure 5).

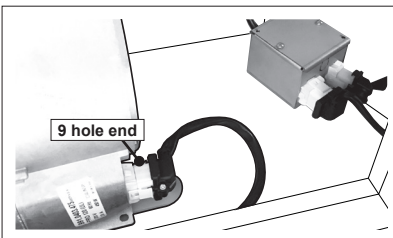
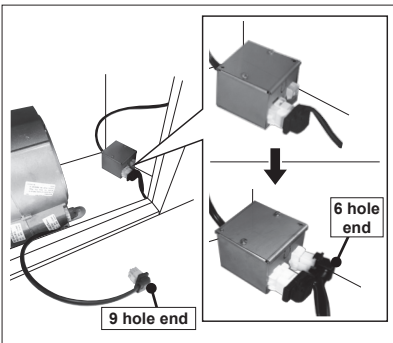
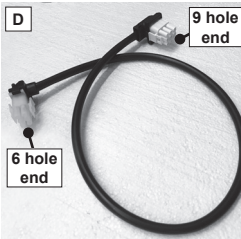


FIGURE 5

INSTALLATION WITH IB1200 INTERNAL BLOWER (1200 cfm)

1. Install the Duct Plate **B** (Figure 7) which came with the internal blower kit, on top of the rangehood with the holes located closer to the front. Use 9 screws supplied with the blower kit.



FIGURE 7

2. Remove the white plastic covering and install the 4 side trim pieces (4-5) to the outside of the hood using (14) part 9c screws, see the side trim installation in (Figure 8).

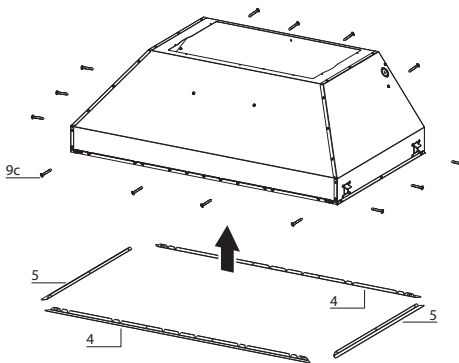


FIGURE 8

3. Attach the blower bracket divider inside the hood with the 2 screws into the top of the hood and 2 screws into the back, all supplied with the blower kit (Figure 9).

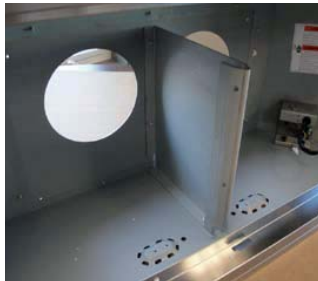


FIGURE 9

4. Install the 2 motor kits into the sides of the blower bracket using the 4 screws supplied with the motor kit (Figure 10).



FIGURE 10

5. Connect the wire cable **D** (which is located inside of Kit Internal 1,200 cfm PRO Blower sku #; IB1200). Connect the 6 hole end (**A**) to the wire box and connect the 9 hole end (**B-C**) to the two motors (Figure 11).

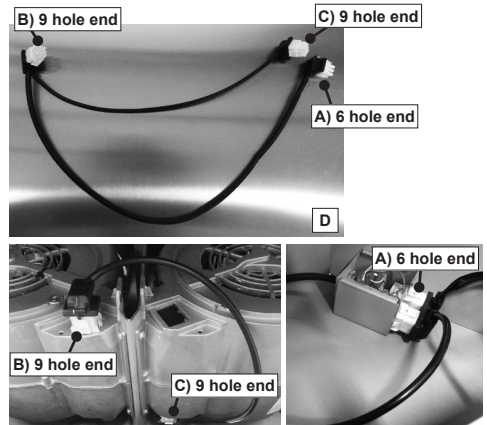


FIGURE 11

6. Install the 2 dampers (**A**) on top of the hood (which is located inside of Kit Internal 1,200 cfm PRO Blower sku #; IB1200). Alternatively, install the 10" duct transition (**E**) (which is located inside of Kit Internal 1,200 cfm PRO Blower sku #; IB1200) and install with four screws (Figure 12).



FIGURE 12

7. Follow step 4 on page 13 to connect ducting, wiring, and test the electrical connection.

INSTALLATION WITH REMOTE BLOWER (RB900 / RB1200) OR IN-LINE BLOWER (INLBKIT)

NOTE: FOLLOW THE INSTRUCTIONS INCLUDED WITH THE REMOTE BLOWER TO INSTALL THE BLOWER ON THE OUTSIDE OF YOUR HOME.

1. Install the Plate **B** with the second wiring box (Figure 13) which came with the remote blower kit, on top of the rangehood. Use 9 screws supplied with the blower kit. Remove the electrical knockout hole on top of the plate.

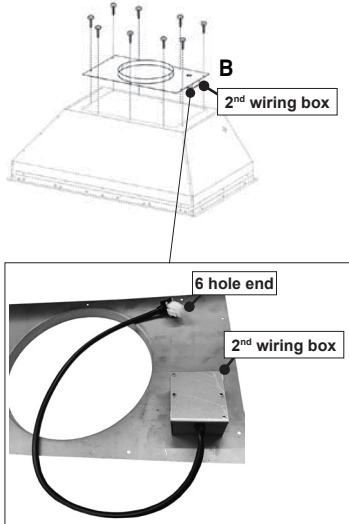


FIGURE 13

2. Remove the white plastic covering and install the 4 side trim pieces (4-5) to the outside of the hood using (14) part 9c screws, see the side rail installation in (Figure 14).

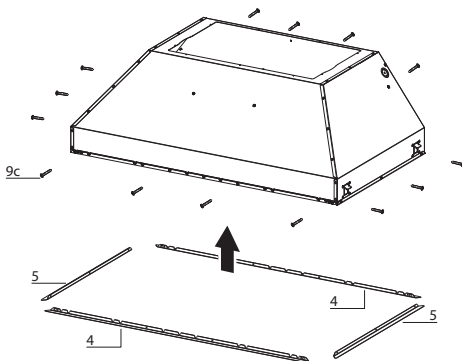


FIGURE 14

3. Connect the wire coming out from the 2nd wiring box to the 6 hole end of the 1st wiring box. Connect the wire that comes out from the black box of the electronic board to the 9 hole end of the 1st wiring box (Figure 15).

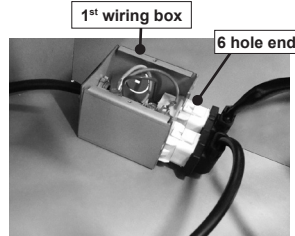


FIGURE 15

4. Pass the remote blower cable through the knockout hole in step 1 (Figure 13,16). Connect this cable from the remote blower to the 2nd wiring box placed on the lower surface of plate B.

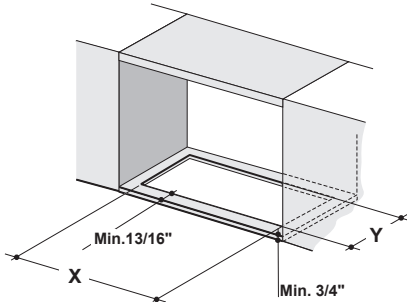


FIGURE 16

5. Follow step 4 on page 13 to connect ducting, wiring, and test the electrical connection. Use the wiring box connected to the inside wall of the hood which connects to the home power supply thru the knockout on the side of the hood.

Installation Instructions SECURING INSERT HOOD WITH SIDE MOUNT CLIPS

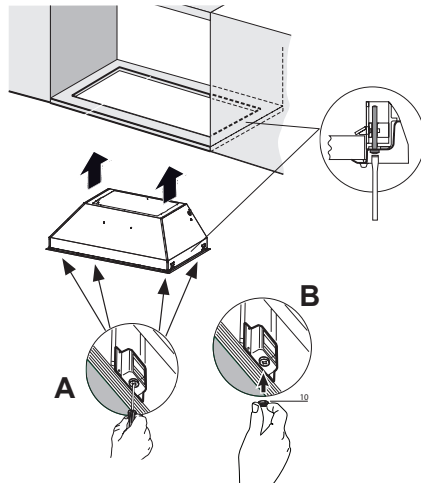
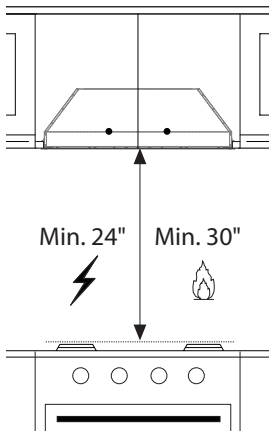
1a



Cut out the opening in the underside of the cabinet as shown in Figure 1a.

Outside Hood Dimension	Model #	X	Y
30" x 19"	INPL3019SSNB-B	28-5/8"	19-7/8"
36" x 19"	INPL3619SSNB-B	34-3/4"	19-7/8"
36" x 22"	INPL3622SSNB-B	34-3/4"	22-7/8"
42" x 19"	INPL4219SSNB-B	40-3/4"	19-7/8"
48" x 19"	INPL4819SSNB-B	46-3/4"	19-7/8"
48" x 22"	INPL4822SSNB-B	46-3/4"	22-7/8"

1b



It is recommended that the Insert Hood is supported by a 3/4" wood base to insure Side Mount Clip alignment.

Minimum cabinet opening height-16". However height may vary to allow for ducting.

Install the Insert Hood into the cabinet opening, and fully engage the four spring-loaded Side Mount Clips onto the cabinet wood base.

Next from underneath the Insert as shown in Figure A, locate the screw in each of the Side Mount Clips.

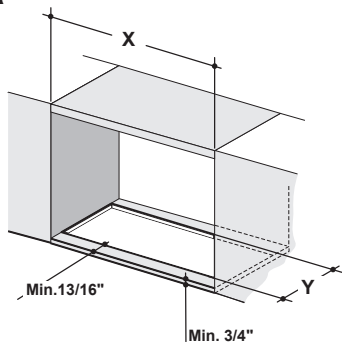
To lock the Insert Hood into position, tighten the screw for each of four Side Mount Clips.

Next from underneath the Insert Hood Place the four plastic stoppers (10) as shown in Figure B.

Installation Instructions

SECURING INSERT HOOD WITHOUT SIDE MOUNT CLIPS

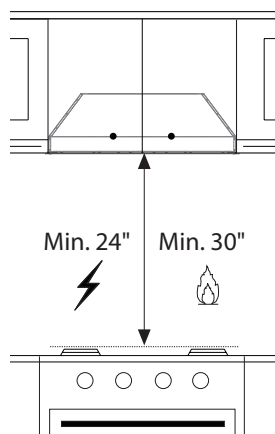
2a



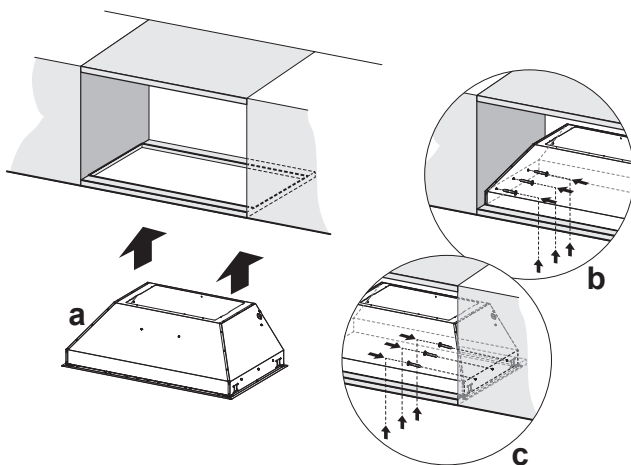
Cut out the opening in the underside of the cabinet as shown in Figure 2a.

Outside Hood Dimension	Model #	X	Y
30" x 19"	INPL3019SSNB-B	28-5/8"	19-7/8"
36" x 19"	INPL3619SSNB-B	34-3/4"	19-7/8"
36" x 22"	INPL3622SSNB-B	34-3/4"	22-7/8"
42" x 19"	INPL4219SSNB-B	40-3/4"	19-7/8"
48" x 19"	INPL4819SSNB-B	46-3/4"	19-7/8"
48" x 22"	INPL4822SSNB-B	46-3/4"	22-7/8"

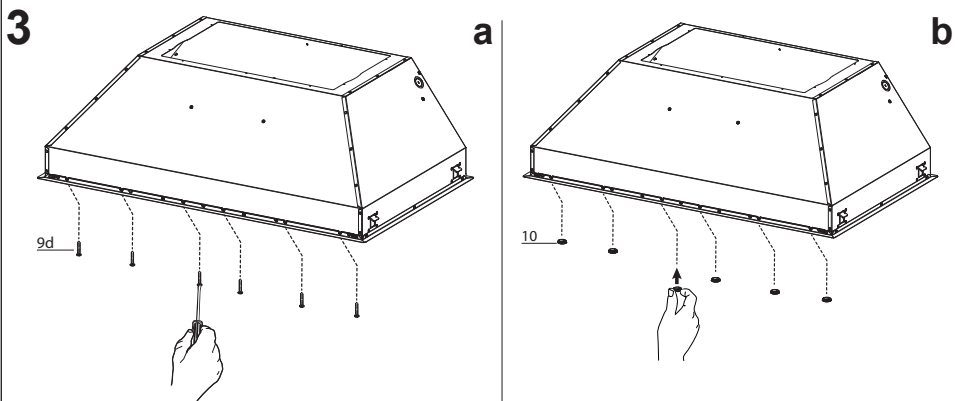
2b



Two people may be required for installation.



It is recommend that the Insert Hood is supported by a 3/4" wood base. Minimum cabinet opening height-16". However height may vary to allow for ducting. Install the Insert Hood into the cabinet opening. Insert Hood attaches on the short side of the cabinet using screws (purchased separately). From inside Insert Hood as shown in Figure B and C, secure the Insert Hood with three screws into wood support /cabinet framing. Next from underneath the Insert Hood Place the four plastic stoppers (10) as shown in Figure B.



Secure the Insert Hood with six screws (9d) on the front side as shown above in figure A. Place the six Stopper (10) on the front side as shown above in figure B.

4 Installation of wiring connection

Remove the wiring electrical knockout using a flat-blade screwdriver. Feed the Power Supply Cable through the electrical knockout.

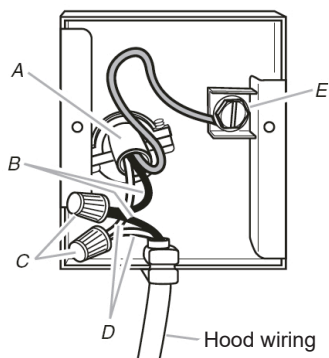
Connect the Power Supply Cable to the rangehood. Attach the White lead of the power supply (A) to the White lead of the rangehood (D) with a twist-on type wire connector. Attach the Black lead of the power supply to the Black lead of the rangehood (B) with a twist-on type wire connector (C). Connect the Green (E) (Green and Yellow) ground wire under the Green grounding screw.

Replace the field wiring compartment cover and the grease filters.

Connect the ductwork to the damper and seal all connections with duct tape.

Turn the power supply on. Turn on the blower and light. If the rangehood does not operate, check that the circuit breaker is not tripped or the house fuse blown. If the unit still does not operate, disconnect the power supply and check that the wiring connections have been made properly.

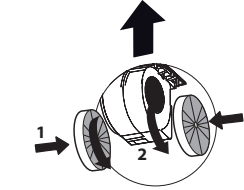
Reattach the field wiring compartment cover.



5 For Non-Ducted Recirculation Option

Attach each charcoal filter to the black grid on each side of the blower.

Press the charcoal filter tightly to the black grid on the blower side and rotate the filter clockwise (towards the front of the insert hood) until it locks into place. Turn counterclockwise (towards the back of the insert hood) to remove.



Replacing Activated Charcoal Filter

The Activated Charcoal Filters are not washable and cannot be regenerated, and should be replaced approximately every 4 months of operation, or more frequently with heavy usage. Remove the charcoal filter by rotating it clockwise (backwards) until it unlocks from the motor housing and pull off sideways.

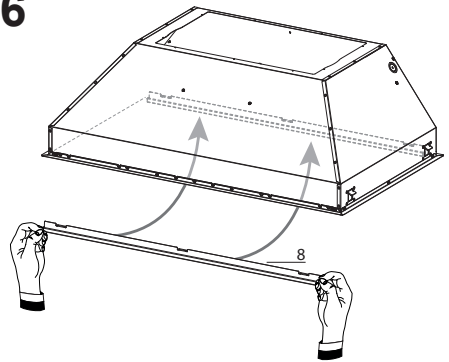
To reinsert each charcoal filter, place up against the side of the blower and push it inward. Then turn the charcoal filter clockwise (forward) until it fits into place.

Required Activated Charcoal Filter Accessory - sku # - FILTER1 (purchased separately).



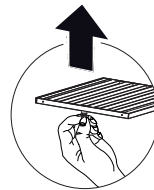
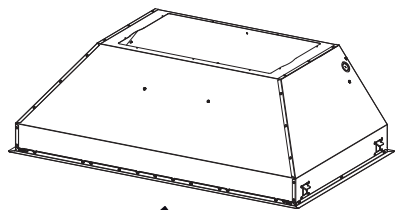
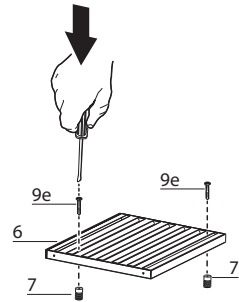
When used in recirculation mode, to Reduce the Risk of Fire and Shock use only conversion kit Model FILTER 1.

6



Hook the Grease rail (8) positioning it inside the hood. Is possible wash and reposition inside the hood.

7



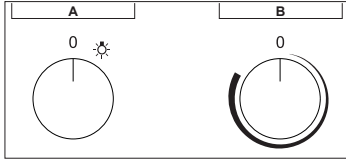
Baffle Filter

Before installing the filters (6), tighten the 2 knobs (7) with 2 screws (9e).

Use two hands to insert and remove the filters.

Rangehood Control Panel

The control panel is located in the center of the hood bottom.



Light On/Off Button (A)

On/Off switch for the lights. Position "0" turns the lights Off, turning the switch to the right is On.

Blower On/Off Button (B)

On/Off switch for the blower. Move the dial to the right to turn the blower ON and vary the speed of the blower. Turn to the left at "0" to turn it OFF.

For Best Result

Start the rangehood several minutes before cooking to develop proper airflow. Allow the unit to operate for several minutes after cooking is complete to clear all smoke and odors from the kitchen.

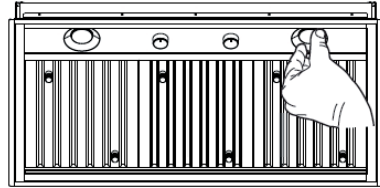
Cleaning

The stainless steel grease filters and grease rail should be cleaned frequently in hot detergent solution or washed in the dishwasher. Clean exterior surfaces with a commercially available stainless steel cleaner. Abrasives and scouring agents can scratch stainless steel finishes and should not be used to clean finished surfaces. Make sure the grease filters are completely dry with no water present before re-installing into hood.

Grease rail and Grease Filter Installation / Removal.

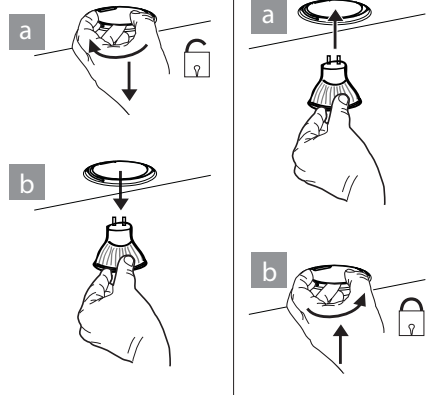
Remove the plastic from the filter, the knobs need to be installed onto the filter with 2 screws to each filter.

Install the grease rail into the back of the hood, into the slots on the inside floor of the rear of the hood. The Grease filters should be installed before operating the rangehood. To install the filters, use the two knobs to hold the filter and insert the filter into the front edge of the hood with the knobs facing out into the spring loaded slot. Install the other end of the filter above the grease rail in the back of the hood.



Lighting unit

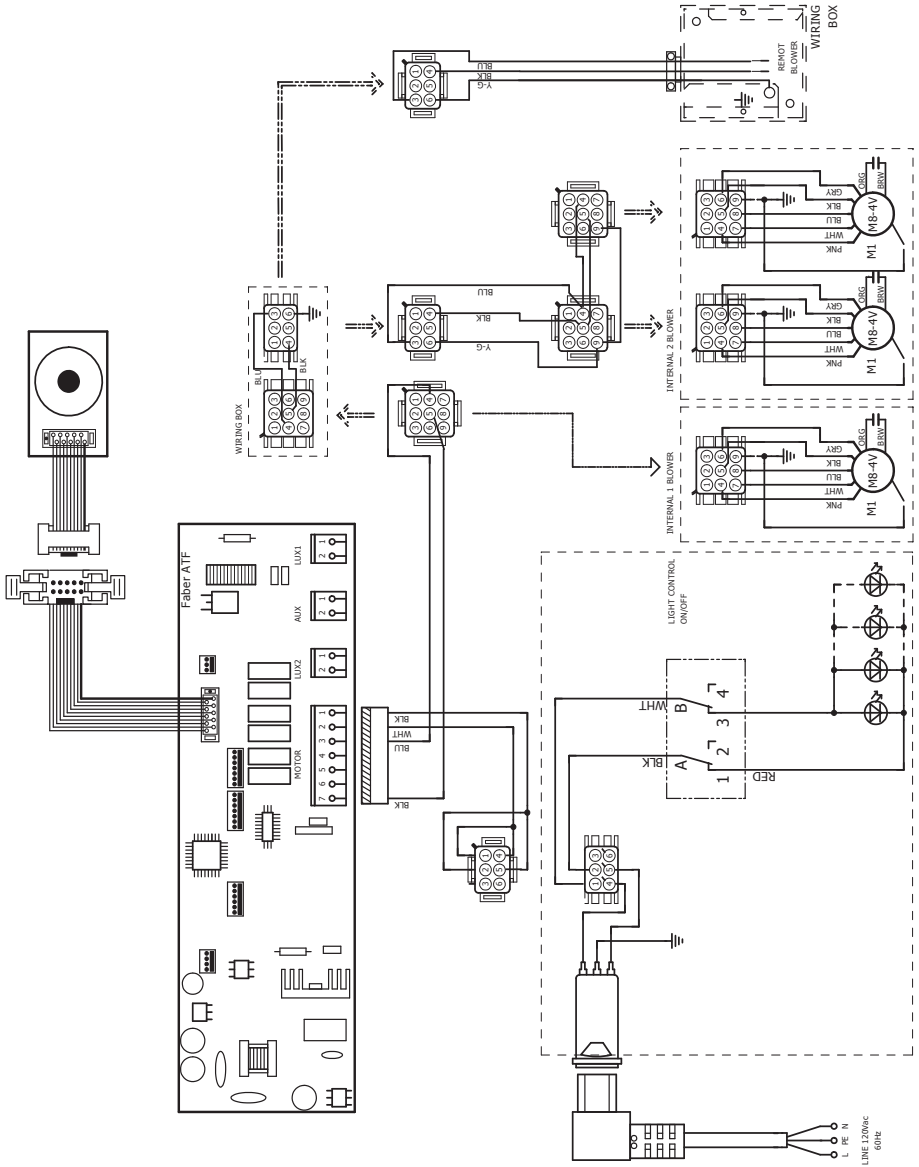
- Replace the lamp with a new one of the same type, making sure that you insert the two pins properly into the housings on the lamp holder.



Gu10 self-ballasted led lamps
– listed in accordance with ul
1993/nmx-j-578/1-ance/csa
c22.2 No. 1993



Wiring Diagram





FABER CONSUMER WARRANTY & SERVICE

All Faber products are warranted against any defect in materials or workmanship for the original purchaser for a period of 1 year from the date of original purchase (requires proof of purchase). This warranty covers labor and replacement parts. Faber, at its option, may repair or replace the product or components necessary to restore the product to good working condition. To obtain warranty service, contact the dealer from whom you purchased the range hood, or the local Faber distributor. If you cannot identify a local Faber distributor, contact us at (508) 358-5353 for the name of a distributor in your area.

The following is not covered by Faber's warranty:

1. Service calls to correct the installation of your range hood, to instruct you how to use your range hood, to replace or repair house fuses or to correct house wiring or plumbing.
2. Service calls to repair or replace range hood light bulbs, fuses or filters. Those consumable parts are excluded from warranty coverage.
3. Repairs when your range hood is used for other than normal, single-family household use.
4. Damage resulting from accident, alteration, misuse, abuse, fire, flood, acts of God, improper installation, installation not in accordance with electrical or plumbing codes or Faber documentation, or use of products not approved by Faber.
5. Replacement parts or repair labor costs for units operated outside the United States or Canada, including any non-UL or C-UL approved Faber range hoods.
6. Repairs to the hood resulting from unauthorized modifications made to the range hood.
7. Expenses for travel and transportation for product service in remote locations and pickup and delivery charges. Faber range hoods should be serviced in the home.

THIS WARRANTY DOES NOT ALLOW RECOVERY OF INCIDENTAL OR CONSEQUENTIAL DAMAGES, INCLUDING, WITHOUT LIMITATION, DIRECT, INDIRECT, INCIDENTAL, SPECIAL OR CONSEQUENTIAL DAMAGES, PERSONAL INJURY/WRONGFUL DEATH OR LOST PROFITS. FABER WARRANTY IS LIMITED TO THE ABOVE CONDITIONS AND TO THE WARRANTY PERIOD SPECIFIED HEREIN AND IS EXCLUSIVE. EXCEPT AS EXPRESSLY SPECIFIED IN THIS AGREEMENT, FABER DISCLAIMS ALL EXPRESS OR IMPLIED CONDITIONS, REPRESENTATIONS, AND WARRANTIES INCLUDING, WITHOUT LIMITATION, ANY IMPLIED WARRANTIES OF MERCHANTABILITY OR FITNESS FOR A PARTICULAR PURPOSE.

This warranty gives you specific legal rights that may vary from state to state.

Model#: _____

Serial #: _____

January 4, 2016

VEUILLEZ LIRE ET CONSERVER LA PRÉSENTE NOTICE AVANT DE COMMENTER L'INSTALLATION DE LA HOTTE DE CUISINE

AVERTISSEMENT:-POUR RÉDUIRE LE RISQUE D'UN FEU DE GRAISSE SUR LA TABLE DE CUISSON :

- a) Ne laissez jamais sans surveillance les éléments de la surface de cuisson à température élevée. Les bouillonnements excessifs peuvent provoquer de la fumée et les débordements de graisse peuvent s'enflammer. L'huile doit être chauffée lentement, à une température basse ou moyenne.
- b) Assurez-vous de toujours mettre en marche le ventilateur de la hotte lorsque vous cuisinez à température élevée ou préparez un mets flambé (p.ex. crêpes Suzette, cerises jubilé, bœuf flambé).
- c) Nettoyez régulièrement les ventilateurs d'aspiration. Assurez-vous de ne pas laisser de la graisse s'accumuler sur le ventilateur ou le filtre.
- d) Utilisez toujours des poêles et casseroles de la taille appropriée. Utilisez toujours des ustensiles de cuisine de la taille adaptée à celle de l'élément chauffant.

AVERTISSEMENT : - POUR PRÉVENIR LES BLESSURES EN CAS DE FEU DE GRAISSE SUR LA TABLE DE CUISSON, SUIVEZ LES RECOMMANDATIONS SUIVANTES* :

- a) **ÉTOUFFEZ LES FLAMMES** à l'aide d'un couvercle hermétique, d'une plaque à biscuits ou d'un plateau métallique, puis éteignez le brûleur. **FAITES ATTENTION AUX BRÛLURES.** Si le feu ne s'éteint pas immédiatement, **QUITTEZ LES LIEUX ET APPELEZ LES POMPIERS.**
- b) **NE PRENEZ JAMAIS UNE CASSEROLE EN FLAMME** - Vous pourriez vous brûler.
- c) **N'UTILISEZ JAMAIS DE L'EAU**, ni un linge à vaisselle ou un torchon mouillé, pour éteindre le feu. Cela pourrait provoquer une violente explosion de vapeur.
- d) Utilisez un extincteur **UNIQUEMENT** si :

1. Vous êtes certain qu'il s'agit d'un extincteur de classe ABC et que vous connaissez bien son mode d'emploi.
2. Le feu est de faible intensité et se limite à l'endroit où il a démarré.
3. Les pompiers ont déjà été appelés.
4. Une voie de sortie se trouve derrière vous pendant que vous éteignez les flammes

* D'après le guide « Kitchen Firesafety Tips » publié par la NFPA aux États-Unis

AVERTISSEMENT - POUR RÉDUIRE LE RISQUE D'INCENDIE OU DE CHOC ÉLECTRIQUE, n'utilisez jamais ce ventilateur en association avec un dispositif de réglage de vitesse à semi-conducteurs.

AVERTISSEMENT - POUR RÉDUIRE LES RISQUES D'INCENDIE, DE CHOC ÉLECTRIQUE OU DE BLESSURE CORPORELLE, RESPECTEZ LES INSTRUCTIONS SUIVANTES :

- a. Utilisez cet appareil uniquement de la façon prévue par le fabricant. Pour toute question, communiquez avec le fabricant.
- b. Avant de procéder à l'entretien ou au nettoyage de l'appareil, coupez l'alimentation au niveau du panneau électrique et verrouillez-le pour vous assurer que l'électricité n'est pas rétablie accidentellement.

S'il n'est pas possible de verrouiller le dispositif d'interruption de l'alimentation, affichez de façon ferme et bien visible un avis de danger, par exemple à l'aide d'une étiquette sur le panneau.

ATTENTION : Destiné à un usage de ventilation générale uniquement. N'utilisez pas ce dispositif pour l'aspiration de vapeurs ou de matériaux dangereux ou explosifs.

AVERTISSEMENT - POUR RÉDUIRE LES RISQUES D'INCENDIE, DE CHOC ÉLECTRIQUE OU DE BLESSURE CORPORELLE, RESPECTEZ LES INSTRUCTIONS SUIVANTES :

1. L'installation et le branchement électrique doivent être réalisés par un technicien qualifié et conformément à tous les codes et normes en vigueur, incluant ceux concernant la construction à l'épreuve du feu.
2. Afin de garantir une combustion et une évacuation adéquates des gaz par les conduites de la cheminée des appareils à combustion, une bonne aération est nécessaire pour éviter le reflux. Respectez les lignes directrices fournies par le fabricant du matériel chauffant, ainsi que les normes de sécurité comme celles publiées par la National Fire Protection Association (NFPA)

et la American Society for Heating, Refrigeration and Air Conditioning Engineers (ASHRAE) aux États-Unis, ainsi que les codes en vigueur dans votre région.

3. Lorsque vous faites une ouverture ou percez dans un mur ou le plafond, veillez à ne pas endommager les fils électriques ou d'autres dispositifs cachés.
4. Les ventilateurs canalisés doivent toujours être raccordés à l'extérieur.

TOUTE OUVERTURE DANS LE MUR OU LE PLANCHER À PROXIMITÉ DE LA HOTTE
DOIT ÊTRE SCÉLÉE.

Un espace libre d'au moins 24" est requis entre le bas de la hotte et la surface de cuisson ou le comptoir. Cette hotte a été homologuée par l'UL à cette distance de la surface de cuisson.

L'espace libre minimal requis peut-être plus grand, selon la réglementation en matière de construction de votre région. Pour les cuisinières à gaz et les cuisinières combinées, un espace minimal de 30" est recommandé et pourrait être exigé.

Les armoires suspendues de chaque côté de l'appareil doivent se trouver à au moins 18" de la surface de cuisson ou du comptoir. Consultez la notice d'installation de la surface de cuisson ou de la cuisinière fournie par le fabricant avant de pratiquer des ouvertures.

INSTALLATION DANS UNE MAISON MOBILE L'installation de cette hotte doit être conforme à la Partie 3280 de la norme Manufactured Home Construction and Safety Standards, Title 24 CFR (précédemment la partie 280 de la norme Federal Standard for Mobile Home Construction and Safety, Title 24, HUD). Consultez la fiche technique électrique.

CRITÈRES DE VENTILATION

Déterminez quelle méthode de ventilation est mieux adaptée à votre application. Les conduits peuvent passer par le mur ou le toit.

Pour garantir une meilleure efficacité, la longueur des conduits et le nombre de coudes doivent être le plus limités que possible. Le diamètre des conduits devrait être uniforme. N'installez pas deux coudes ensemble. Utilisez un ruban pour canalisations afin de sceller tous les joints du système de conduits. Utilisez un calfeutrage pour sceller les ouvertures dans le mur extérieur ou le plancher, autour du clapet.

Il n'est pas recommandé d'utiliser des conduits flexibles. Les conduits flexibles provoquent une contre-pression et de la turbulence qui diminuent grandement l'efficacité de l'appareil.

Assurez-vous que l'espace libre dans le mur ou le plancher est suffisant pour le conduit d'évacuation avant de pratiquer les ouvertures. Ne coupez jamais une poutre ou un chevron, sauf si c'est absolument nécessaire. S'il s'avère nécessaire de couper une poutre ou un chevron, la construction d'un renforcement est requise.

AVERTISSEMENT - Pour réduire le risque d'incendie, utilisez uniquement des conduits métalliques.

ATTENTION - Pour réduire le risque d'incendie et pour évacuer adéquatement l'air, assurez-vous de raccorder les conduits à l'extérieur – Ne diffusez pas l'air d'évacuation dans des espaces à l'intérieur des murs ou du plafond, ou encore à l'intérieur d'un grenier, d'une galerie technique ou d'un garage.



AVERTISSEMENT

- Le système de ventilation DOIT déboucher à l'extérieur.
- **NE FAITES PAS** déboucher les conduits dans un grenier ou un autre endroit fermé.
- **N'UTILISEZ PAS** un clapet de sècheuse mural de 4 po.
- Il n'est pas recommandé d'utiliser des conduits flexibles.
- **N'ENTRAVEZ PAS** le flux de l'air de combustion et de ventilation.
- Le non-respect des exigences en matière de ventilation pourrait entraîner un incendie.

FICHE TECHNIQUE ÉLECTRIQUE

Une alimentation de courant alternatif de 120 volt à 60 Hz est requise sur un circuit à fusible distinct de 15 ampères. Il est recommandé d'installer un fusible temporisé ou un disjoncteur. Le fusible doit être calibré conformément aux codes en vigueur pour les caractéristiques nominales électriques de l'appareil, indiquées sur la plaque signalétique située à l'intérieur de l'appareil, à proximité du compartiment des câblages externes.

INSTALLATION ÉLECTRIQUE AVEC BOÎTIER DE CÂBLAGES

CET APPAREIL DOIT ÊTRE UNIQUEMENT BRANCHÉ À LAIDE DE FILS DE CUIVRE. Le calibre des fils doit être conforme aux critères de la dernière édition du National Electrical Code, de l'ANSI/NFPA 70 et de l'ensemble des codes et réglementations en vigueur. Le calibre des fils et les connexions doivent être adaptés aux caractéristiques nominales de l'appareil. Il est possible de se procurer un exemplaire des normes indiquées ci-dessus en communiquant avec :

National Fire Protection Association
Batterymarch Park
Quincy, Massachusetts 02269 (États-Unis)

Cet appareil devrait être branché directement au sectionneur à fusible (ou au disjoncteur) par un câble flexible de cuivre avec blindage ou gaine non métallique. Laissez un peu de jeu dans le câble pour permettre le déplacement de l'appareil si des travaux d'entretien s'avéraient nécessaires. Un raccord de conduit homologué par l'UL de 1/2 " doit être installé aux deux extrémités du câble d'alimentation (au niveau de l'appareil et de la boîte de liaison).

Lors de la réalisation du branchement électrique, réalisez un trou de 1 1/4 " dans le mur. S'il s'agit d'un trou dans le bois, il doit être poncé pour le rendre lisse. S'il s'agit d'un trou dans le métal, un passe-fils est requis.



AVERTISSEMENT

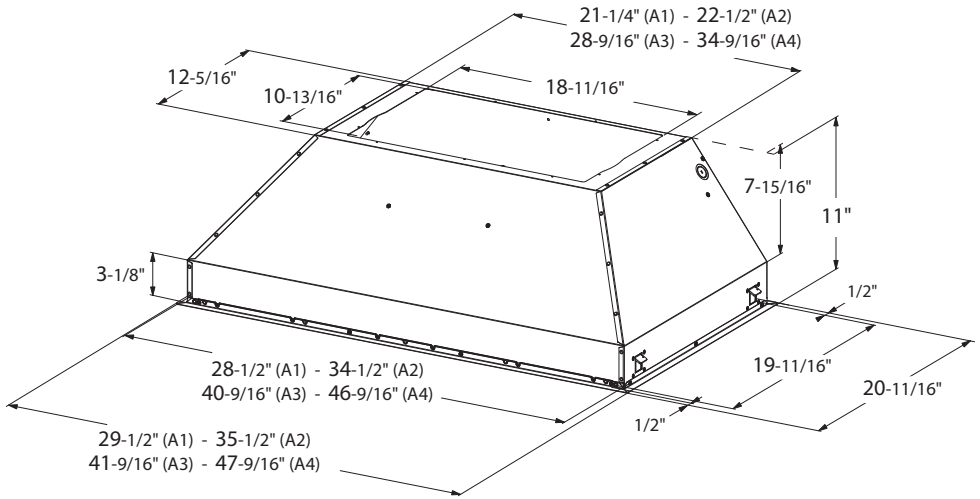
- Une mise à la terre électrique est requise pour cette hotte.
- N'UTILISEZ PAS un tuyau d'eau froide pour la mise à la terre si celui-ci est branché par des joints en plastique, par des rondelles non métalliques ou d'autres matériaux.
- N'UTILISEZ PAS une conduite de gaz pour la mise à la terre.
- N'INSTALLEZ PAS un fusible sur le circuit neutre ou le circuit de mise à la terre. La présence d'un fusible dans le circuit neutre ou de mise à la terre peut entraîner un choc électrique.
- Consultez un électricien qualifié si vous n'êtes pas certain de la mise à la terre de la hotte.
- Le non-respect des exigences de la fiche technique électrique pourrait entraîner un incendie.

Avertissement de la proposition 65 de l'État de Californie (US seulement)

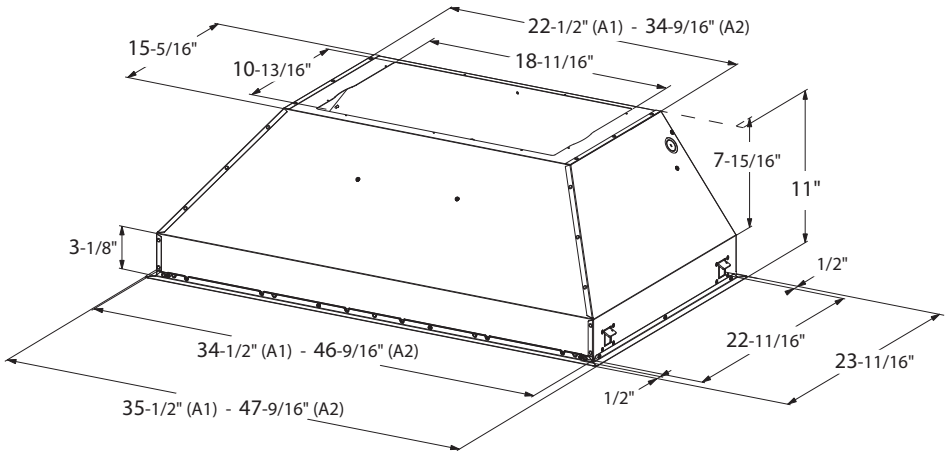
ATTENTION

Ce produit contient des produits chimiques connus de l'État de Californie pour causer le cancer et des malformations congénitales ou d'autres problèmes de reproduction.
Pour plus d'informations, visitez www.P65Warnings.ca.gov

DIMENSIONS DE LA HOTTE

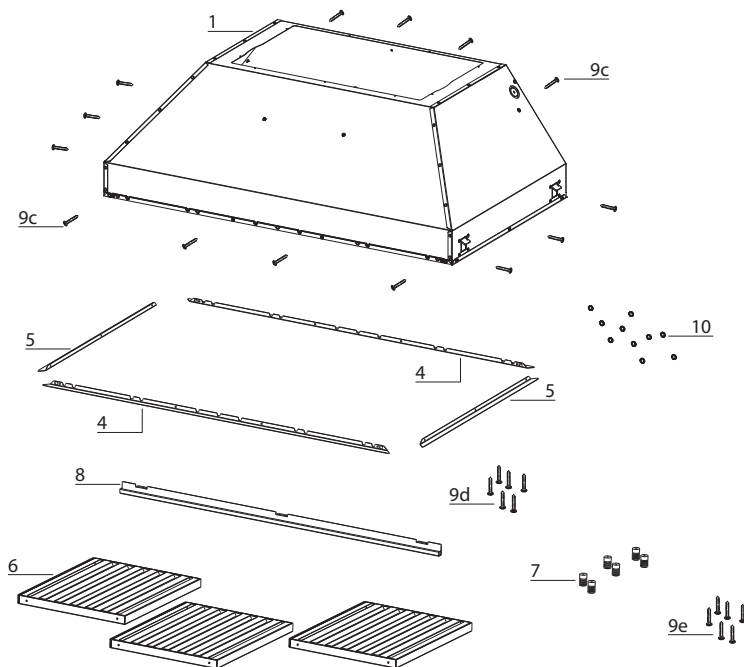


Légende	Modèle #
A1	INPL3019SSNB-B
A2	INPL3619SSNB-B
A3	INPL4219SSNB-B
A4	INPL4819SSNB-B



Légende	Modèle #
A1	INPL3622SSNB-B
A2	INPL4822SSNB-B

PIÈCES PRINCIPALES



Composants

Réf.	Qté	Product Components
1	1	Bâti de la hotte avec : Commandes, Éclairage, Filtres, Ventilateur.
4	2	Garniture avant/arrière
5	2	Garniture gauche/droite
6	2	Filtres à graisse (30")
6	3	Filtres à graisse (36" - 42")
6	4	Filtres à graisse (48")
7	4	Boutons des filtres (30")
7	6	Boutons des filtres (36" - 42")
7	8	Boutons des filtres (48")
8	1	Gouttière
10	10	Obturbateur

Réf.	Qté	Composants d'installation
9c	14	Vis d'installation (1/8"x1/4")
9d	6	Vis d'installation (1/8"x5/16")
9e	4	Vis des filtres à graisse (3/16"x5/16" - 30")
9e	6	Vis des filtres à graisse (5/32"x5/16" - 36" - 42")
9e	8	Vis des filtres à graisse (5/32"x5/16" - 48")

Qté	Documentation
1	Instruction Manual

Accessoires disponibles

Filtre à charbon actif, n° d'article FILTER1

Filtre à charbon actif, n° d'article FILTER1LL



Ventilateur interne 300 PCM, n° d'article IB300

Ventilateur interne 600 PCM PRO, n° d'article IB600

Ventilateur interne 1 200 PCM PRO, n° d'article IB1200

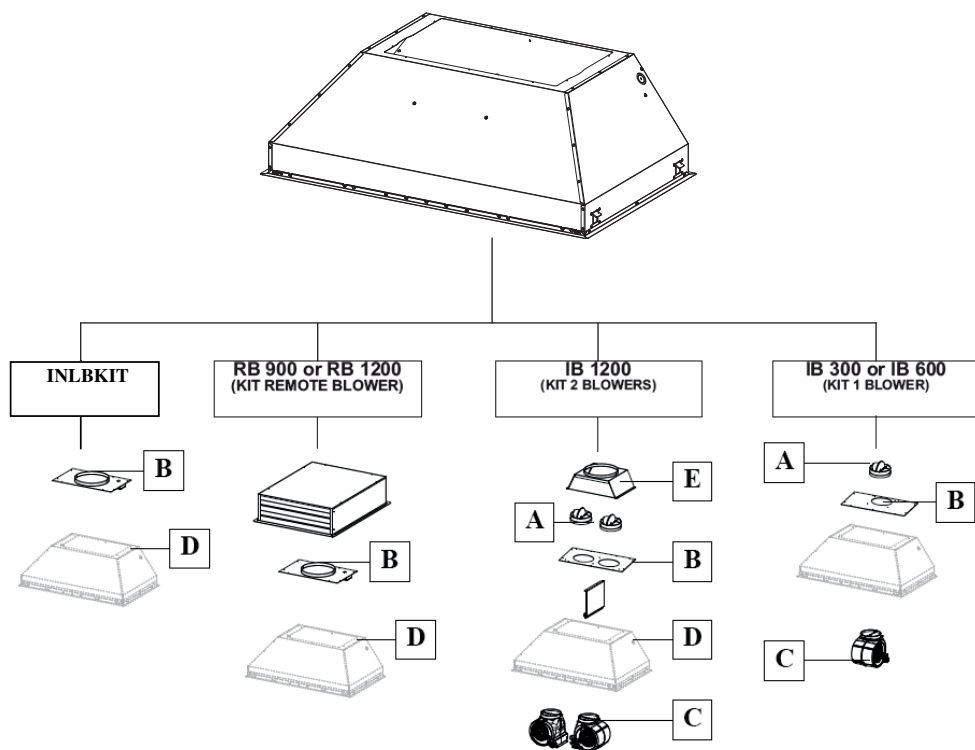
Ventilateur à distance 900 PCM, n° d'article RB900

Ventilateur à distance 1 200 PCM, n° d'article RB1200

Trousse de raccord de ventilateur en ligne, n° d'article INLBKIT

INSTALLATION

COMBINAISONS CAPOT ET KITS DE MOTEUR

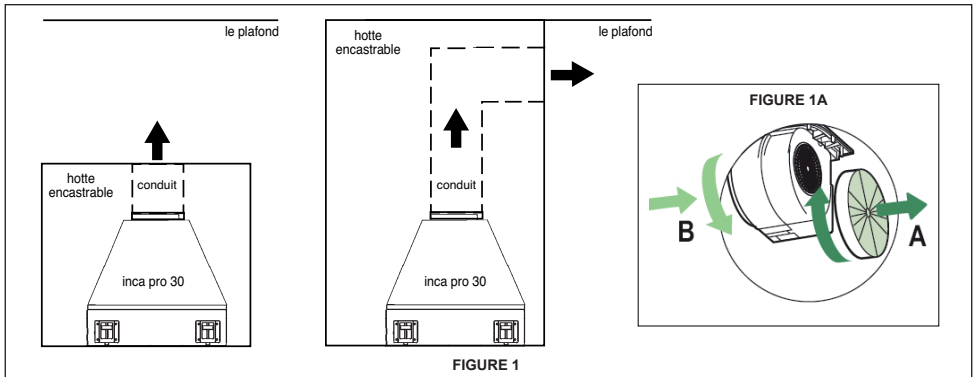


Pour le modèle Inca 30", il est recommandé d'utiliser des ventilateurs ayant une capacité MAXIMALE de 600 PCM.

ATTENTION — Pour réduire le risque d'incendie ou de choc électrique, installez cette hotte uniquement avec un ventilateur à distance fabriqué par Faber (modèles RB900 et RB1200) ou avec un ventilateur interne fabriqué par Faber (modèles IB300, IB600 ou IB1200), avec la trousse accessoire INLBKIT achetée séparément. Si vous utilisez un ventilateur en ligne ou à distance générique, il doit avoir une valeur nominale maximale de 4,2 A et être compatible avec une commande de variation de vitesse à semi-conducteur; il doit aussi être utilisé avec la trousse accessoire INBKLIT, achetée séparément.

INSTALLATIONS AVEC RECIRCULATION

LA VENTILATION ASSOCIÉE À UNE CUISINE DE TYPE PROFESSIONNEL DEVRAIT TOUJOURS ÊTRE ÉVACUÉE À L'EXTÉRIEUR. Pour les installations avec recirculation (Figure 1), il est nécessaire d'installer des filtres à charbon. Retirez tous les filtres à graisse et mettez-les à part. Posez un filtre à charbon à chaque extrémité du ventilateur. Chaque filtre à charbon se fixe à une grille sur le côté du ventilateur. Faites tourner le filtre dans le sens des aiguilles d'une montre pour l'installer et dans le sens contraire des aiguilles d'une montre pour l'enlever (Figure 1A). Remettez tous les filtres à graisse en place. Les installations avec recirculation nécessitent l'installation de canalisations pour diriger l'air à l'extérieur de l'armoire ou de l'habillage sur mesure, par le haut, l'avant ou le côté, ou encore par le côté/l'avant du parement, et de retour dans la cuisine. Installez un conduit vertical d'au moins 15" (Figure 1) sur la sortie d'air. Faites passer le conduit verticalement et fixez-le à l'ouverture adéquate pratiquée au sommet précédemment ou sur le côté de l'armoire ou du parement. L'utilisation d'une grille métallique pour couvrir le conduit est également recommandée. La canalisation ne doit pas se terminer à l'intérieur de l'armoire ou de l'habillage sur mesure.



POUR TOUTES LES INSTALLATIONS ENLEVEZ TOUT LE REVÊTEMENT DE PROTECTION EN PLASTIQUE BLANC DU CAPOT, DES RAILS LATÉRAUX, DE L'ÉQUILIBRE, DES RAILS DE GRAISSE ET DES FILTRES DE GRAISSE.

INSTALLATION AVEC LE VENTILATEUR IB300 / IB600 INTERNE (300, 600 cfm)

1. Installez le plat **B** (Figure 2) qui est venu avec le kit interne de ventilateur, sur le rangehood. Utilisez 9 vis fournies avec le kit de ventilateur.



FIGURE 2

2. Retirez la protection blanche de plastique et installez les 4 pièces de garniture des côtés (4-5) sur l'extérieur de la hotte à l'aide des 14 vis (9c). Consultez le schéma d'installation des garnitures à la (Figure 3).

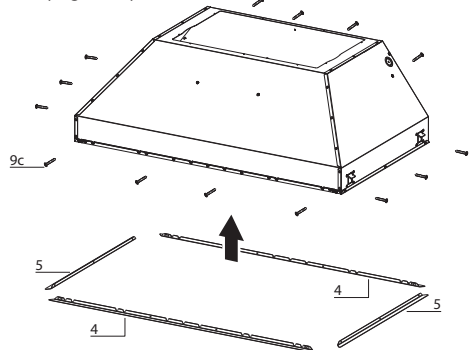


FIGURE 3

3. Installez la trousse du moteur dans la hotte en utilisant les 2 vis fournies avec la trousse dans l'arrière de la hotte (Figure 4).

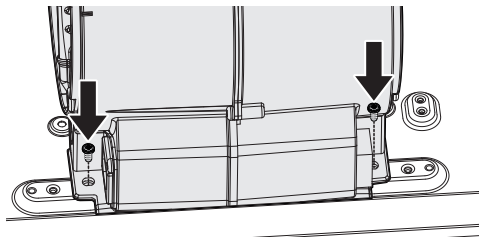


FIGURE 4

4. Branchez le câble de branchement **D** (qui se trouve à l'intérieur de la trousse du ventilateur interne 300 PCM, n° d'article IB300 ou du ventilateur interne 600 PCM PRO, n° d'article IB600). Branchez l'extrémité à 6 orifices au boîtier de connexion et l'extrémité à 9 orifices au moteur (Figure 5).

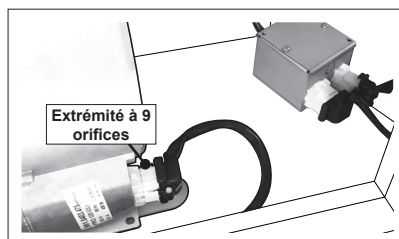
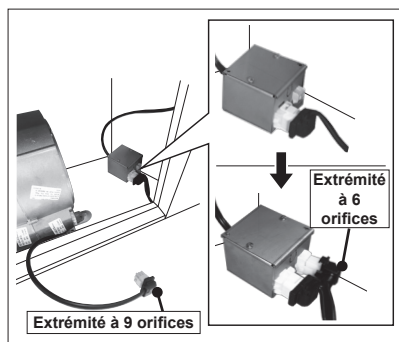
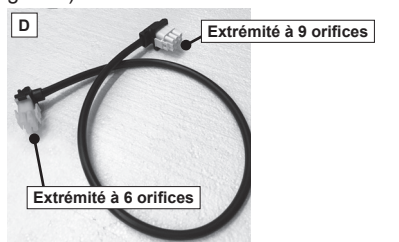


FIGURE 5

5. Raccordez le conduit au registre et scellez toutes les connexions à l'aide de ruban.

6. Avant d'installer la hotte, posez le registre **A** (qui se trouve à l'intérieur de la trousse du ventilateur interne 300 PCM, n° d'article IB300 ou du ventilateur interne 600 PCM PRO, n° d'article IB600) (Figure 6).



FIGURE 6

INSTALLATION AVEC LE VENTILATEUR IB1200 INTERNE (cfm 1200)

1. Installez la plaque de canalisation **B** (Figure 7) fournie dans la trousse du ventilateur, sur le haut de la hotte, avec les orifices à proximité de l'avant. Utilisez les 9 vis fournies avec la trousse du ventilateur.

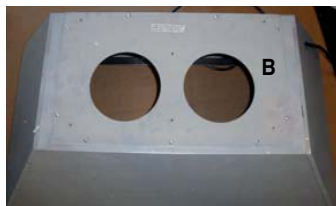


FIGURE 7

2. Retirez la protection blanche de plastique et installez les 4 pièces de garniture des côtés (4-5) sur l'extérieur de la hotte à l'aide des 14 vis (9c). Consultez le schéma d'installation des garnitures à la (Figure 8).

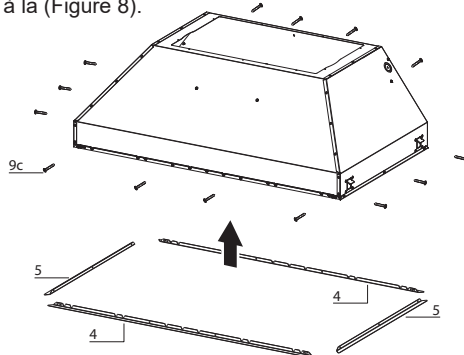


FIGURE 8

3. Fixez la parenthèse de ventilateur à l'intérieur de la hotte avec 2 vis sur le dessus de la hotte et 2 à l'arrière, le tout fourni avec la trousse du ventilateur (Figure 9).

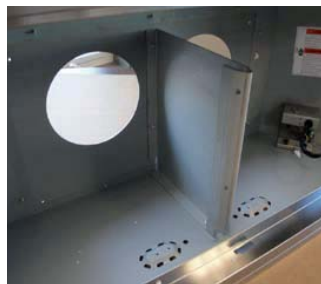


FIGURE 9

4. Installez les 2 kits de moteur sur les côtés de la parenthèse de ventilateur utilisant les 4 vis fournies avec le kit de moteur (Figure 10).



FIGURE 10

5. Branchez le câble de branchement **D** (qui se trouve à l'intérieur de la trousse du ventilateur interne 1 200 PCM PRO, n° d'article IB1200). Branchez l'extrémité à 6 orifices (**A**) au boîtier de connexion et l'extrémité à 9 orifices (**B-C**) aux deux moteurs (Figure 11).

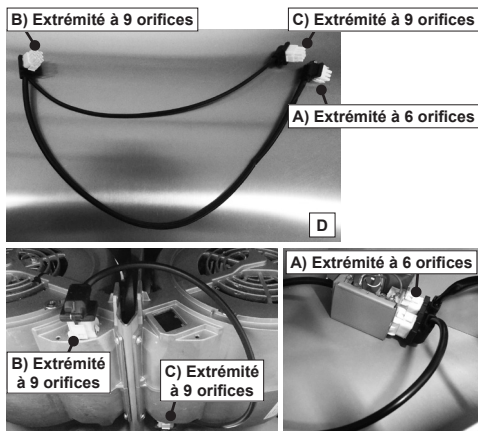


FIGURE 11

6. Installez les 2 registres (**A**) sur le dessus de la hotte (à l'intérieur de la trousse du ventilateur interne 1 200 PCM PRO, n° d'article IB1200). Autrement, installez le passage de la canalisation de 10" (**E**) (qui se trouve à l'intérieur de la trousse du ventilateur interne 1 200 PCM PRO, n° d'article IB1200) et installez-le à l'aide de quatre vis (Figure 12).



FIGURE 12

7. Suivez la procédure décrite à l'étape 4 de la page 13 pour le raccord de la canalisation, les branchements et l'essai de la connexion électrique.

INSTALLATION AVEC LE VENTILATEUR À DISTANCE (RB900 / RB1200 OU VENTILATEUR INTÉGRÉ (INLBKIT))

NOTE : SUIVEZ LES INSTRUCTIONS INCLUSES AVEC LE VENTILATEUR À DISTANCE POUR INSTALLER LE VENTILATEUR SUR L'EXTÉRIEUR DE VOTRE MAISON.

1. Installez sur le dessus de la hotte la plaque **B** avec le deuxième boîtier de connexion (Figure 13) fournie avec la trousse du ventilateur à distance. Utilisez les 9 vis fournies avec la trousse du ventilateur. Procédez à l'ouverture de l'orifice à défoncer sur le dessus de la plaque.

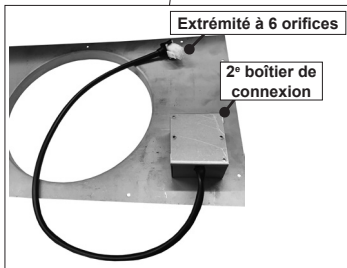
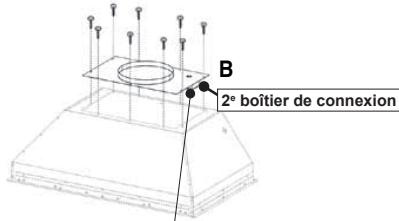


FIGURE 13

2. Retirez la protection blanche de plastique et installez les 4 pièces de garniture des côtés (4-5) sur l'extérieur de la hotte à l'aide des 14 vis (9c). Consultez le schéma d'installation des gouttières latérales à la (Figure 14).

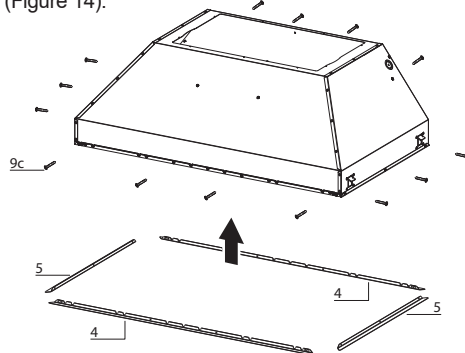


FIGURE 14

3. Branchez le câble sortant du 2e boîtier de connexion à l'extrémité à 6 orifices du 1er boîtier de connexion. Branchez le câble sortant du boîtier noir de la carte électronique à l'extrémité à 9 orifices du 1er boîtier de connexion (Figure 15).

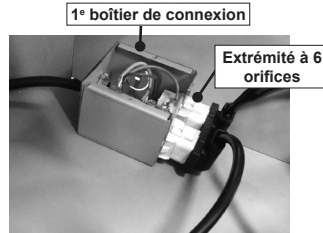


FIGURE 15

4. Faites passer le câble du ventilateur à distance dans l'orifice à défoncer de l'étape 1 (Figure 13, 16). Branchez ce câble du ventilateur à distance au 2e boîtier de connexion sur la surface inférieure de la plaque **B**.



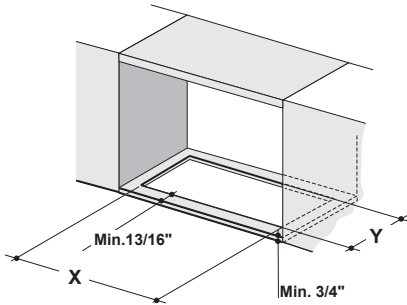
FIGURE 16

5. Suivez les étapes 4 à la page 13 pour relier la canalisation, câblage, et examinez le raccordement électrique. Utilisez la boîte de câblage reliée au mur intérieur du capot qui se relie à l'alimentation d'énergie à la maison par le coup de grâce du côté du capot.

Notice d'installation

INSTALLATION DE LA HOTTE ENCASTRABLE AVEC LES FIXATIONS LATÉRALES DE MONTAGE

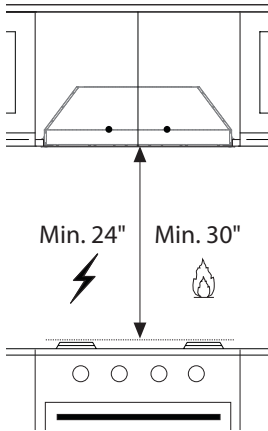
1a



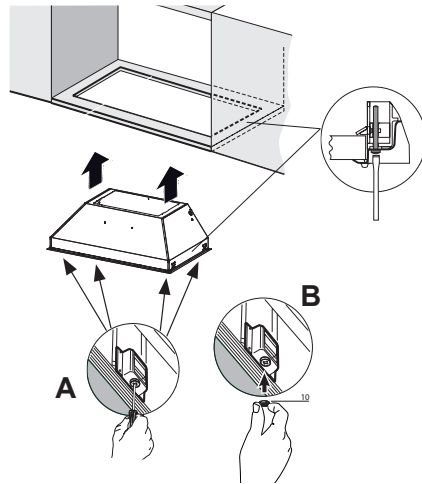
Pratiquez l'ouverture sur la face inférieure de l'armoire, comme illustré à la Figure 1.

Dimension extérieure de hotte	Modèle #	X	Y
30" x 19"	INPL3019SSNB-B	28-5/8"	19-7/8"
36" x 19"	INPL3619SSNB-B	34-3/4"	19-7/8"
36" x 22"	INPL3622SSNB-B	34-3/4"	22-7/8"
42" x 19"	INPL4219SSNB-B	40-3/4"	19-7/8"
48" x 19"	INPL4819SSNB-B	46-3/4"	19-7/8"
48" x 22"	INPL4822SSNB-B	46-3/4"	22-7/8"

1b



Deux personnes pourraient être requises pour l'installation.



On recommande que la hotte encastrable s'appuie sur une base de bois de 3/4" pour garantir l'alignement des fixations latérales de montage.

Hauteur minimum de l'ouverture de l'armoire : 16". La hauteur peut toutefois varier pour permettre la canalisation.

Installez la hotte encastrable dans l'ouverture de l'armoire, et engagez fermement les quatre fixations latérales de montage à ressort sur la base de bois de l'armoire.

À partir du dessous de la hotte, posez ensuite la vis de chacune des fixations latérales de montage, comme illustré sur la Figure A.

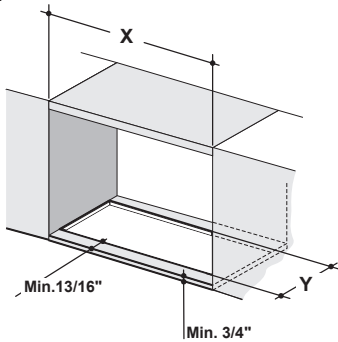
Pour bloquer la hotte encastrable en place, serrez la vis pour chacune des quatre fixations latérales de montage.

À partir du dessous de la hotte encastrable, placez ensuite les quatre obturateurs de plastique (10), comme illustré sur la Figure B.

Notice d'installation

INSTALLATION DE LA HOTTE ENCASTRABLE SANS FIXATIONS LATÉRALES DE MONTAGE

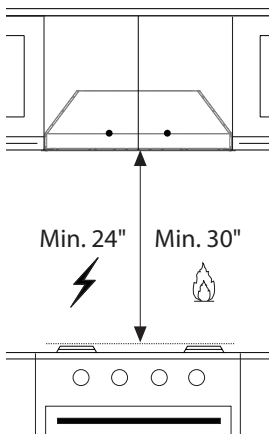
2a



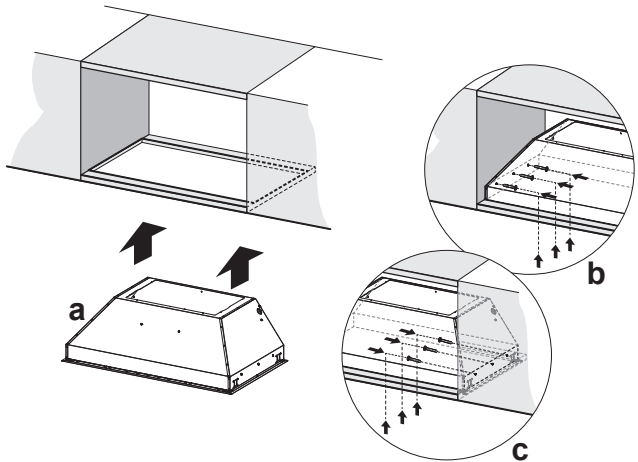
Pratiquez l'ouverture sur la face inférieure de l'armoire, comme illustré à la Figure 2a.

Dimension extérieure de hotte	Modèle #	X	Y
30" x 19"	INPL3019SSNB-B	28-5/8"	19-7/8"
36" x 19"	INPL3619SSNB-B	34-3/4"	19-7/8"
36" x 22"	INPL3622SSNB-B	34-3/4"	22-7/8"
42" x 19"	INPL4219SSNB-B	40-3/4"	19-7/8"
48" x 19"	INPL4819SSNB-B	46-3/4"	19-7/8"
48" x 22"	INPL4822SSNB-B	46-3/4"	22-7/8"

2b



Deux personnes pourraient être requises pour l'installation.



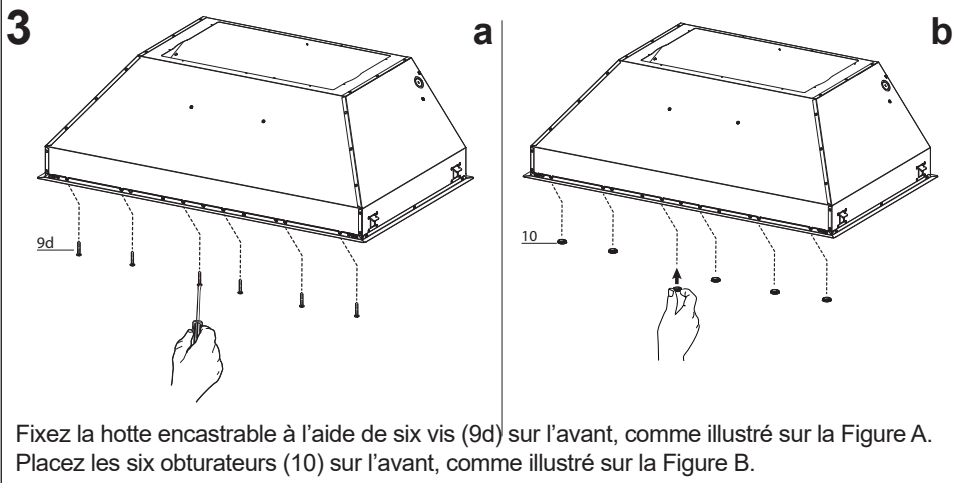
On recommande que la hotte encastrable s'appuie sur une base de bois de 3/4".
Hauteur minimum de l'ouverture de l'armoire : 16". La hauteur peut toutefois varier pour permettre la canalisation.

Installez la hotte encastrable dans l'ouverture de l'armoire.

La hotte encastrable doit être fixée sur les côtés courts de l'armoire à l'aide de vis (achetées séparément).

À partir de l'intérieur de la hotte encastrable, fixez la hotte encastrable à l'aide de trois vis dans le soutien de bois/la structure de l'armoire, comme illustré sur les Figures B et C.

À partir du dessous de la hotte encastrable, placez ensuite les quatre obturateurs de plastique (10), comme illustré sur la Figure B.



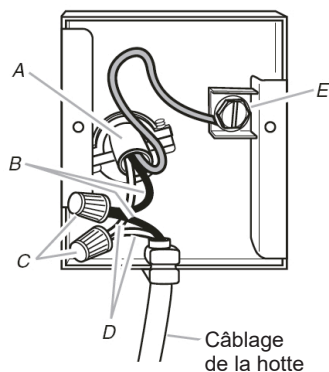
4 Réalisation des branchements

Défoncez l'entrée électrique à l'aide d'un tournevis plat. Faites passer le câble d'alimentation dans l'entrée électrique défoncée. Branchez le câble d'alimentation à la hotte. Branchez le fil blanc de l'alimentation (A) au fil blanc de la hotte (D) à l'aide d'un connecteur verrouillé par rotation. Branchez le fil noir de l'alimentation au fil noir de la hotte (B) à l'aide d'un connecteur verrouillé par rotation (C). Branchez le fil vert (E) (vert et jaune) de mise à la terre sous la vis de mise à la terre verte. Remettez le couvercle du compartiment des câblages externes et les filtres à graisse en place.

Raccordez le conduit au registre et scellez toutes les connexions à l'aide de ruban.

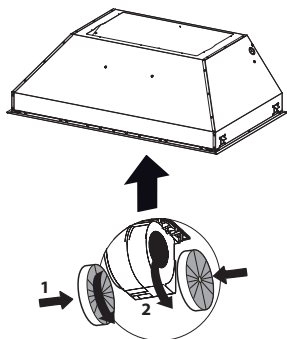
Mettez l'alimentation sous tension. Mettez le ventilateur et l'éclairage en marche. Si la hotte ne fonctionne pas, assurez-vous que le disjoncteur ou le fusible du domicile n'a pas sauté. Si l'unité ne fonctionne toujours pas, débranchez l'alimentation et vérifiez si les branchements ont été réalisés correctement.

Remettez le couvercle du compartiment des câblages externes.



5 Pour option non canalisée avec recirculation d'air

Fixez les filtres à charbon à la grille noire de chaque côté du ventilateur. Pressez fermement le filtre à charbon contre la grille noire de chaque côté du ventilateur et faites tourner le filtre dans le sens des aiguilles d'une montre (vers l'avant de la hotte encastrable) jusqu'à ce qu'il soit verrouillé en place. Faites tourner dans le sens contraire des aiguilles d'une montre (vers l'arrière de la hotte encastrable) pour l'enlever.



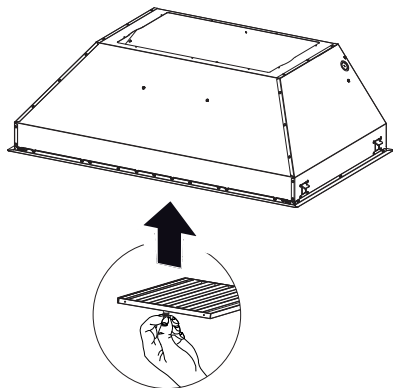
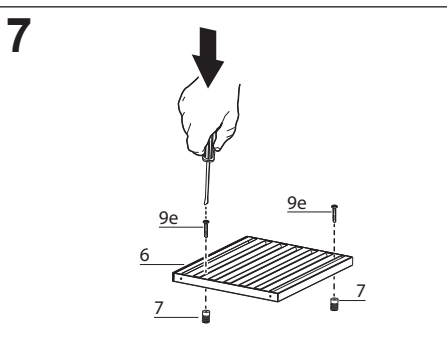
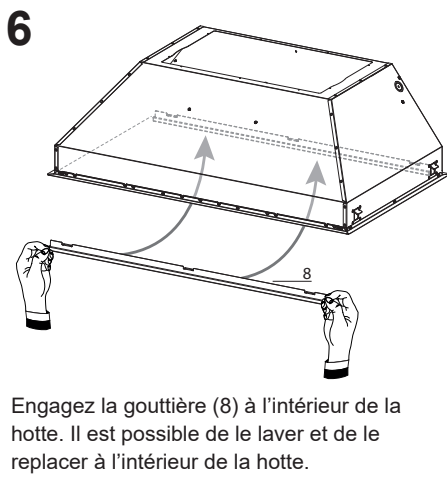
Remplacement du filtre à charbon actif

Les filtres à charbon actif ne sont pas lavables et ne peuvent être régénérés. Ils devraient être remplacés environ tous les 4 mois d'utilisation, ou plus souvent en cas d'utilisation intensive. Enlevez le filtre à charbon en le faisant tourner dans le sens des aiguilles d'une montre (vers l'arrière) jusqu'à ce qu'il se dégage du carter du moteur, puis en le tirant vers le côté. Pour réinsérer les filtres, placez-les sur le côté du ventilateur et poussez-les vers l'intérieur. Tournez ensuite le filtre à charbon dans le sens des aiguilles d'une montre (vers l'avant) jusqu'à ce qu'il soit bien installé.

Filter à charbon actif accessoire requis - n° d'article - FILTER1 (acheté séparément).



Pour réduire le risque d'incendie ou de choc électrique, lorsque l'appareil est utilisé en mode recirculation, utiliser uniquement le modèle FILTER 1 pour trousse de conversion.

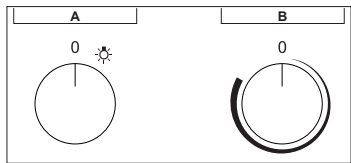


Filter à chicane

Avant de poser les filtres (6), serrez les 2 boutons (7) à l'aide de 2 vis (9e). Utilisez les deux mains pour insérer et retirer les filtres.

Panneau de commande de Rangehood

Le panneau de commande est plac au centre du fond de capot.



Bouton "Marche/Arrêt" léger (A)

Interrupteur Marche/Arrêt pour l'éclairage. La position « 0 » éteint l'éclairage, tandis que l'éclairage est mis en marche si l'interrupteur est tourné vers la droite.

Bouton "Marche/Arrêt" de ventilateur (B)

Commutateur "Marche/Arrêt" pour le ventilateur. Déplacez le cadran vers la droite d'allumer le ventilateur et de varier la vitesse du ventilateur. Tournez-vous vers la gauche au " ; 0 " ; pour l'arrêter.

Pour le meilleur résultat

Commencez le rangehood plusieurs minutes avant la cuisson pour développer le flux d'air approprié. Permettez à l'unité de fonctionner pendant plusieurs minutes après cuisson est complet pour dégager toutes les fumées et odeurs de la cuisine.

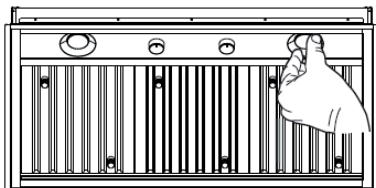
Nettoyage

Les filtres de graisse d'acier inoxydable et le rail de graisse devraient être nettoyés fréquemment dans la solution détergente chaude ou être lavés dans le lave-vaisselle. Nettoyez les surfaces extérieures avec un décapant disponible dans le commerce d'acier inoxydable. Les abrasifs et les agents de récurage peuvent rayer des finitions d'acier inoxydable et ne devraient pas être employés pour nettoyer les surfaces de finition.

Graissez l'installation de filtre de rail et de graisse/déplacement

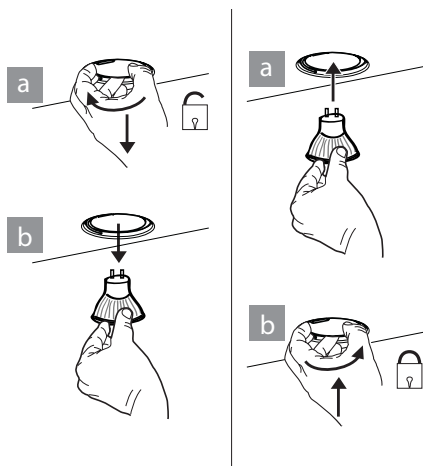
Éliminez le plastique du filtre, les boutons doivent être installés sur le filtre avec 2 vis sur chaque filtre.

Installez le rail de graisse sur le dos du capot, sur les fentes sur le plancher intérieur de l'arrière du capot. Les filtres de graisse devraient être installés avant d'actionner le rangehood. Pour installer les filtres, employez les deux boutons pour tenir le filtre et pour insérer le filtre dans le bord avant du capot avec les boutons faisant face dehors dans la fente à ressort. Installez l'autre extrémité du filtre au-dessus du rail de graisse dans le dos du capot.



Système d'éclairage

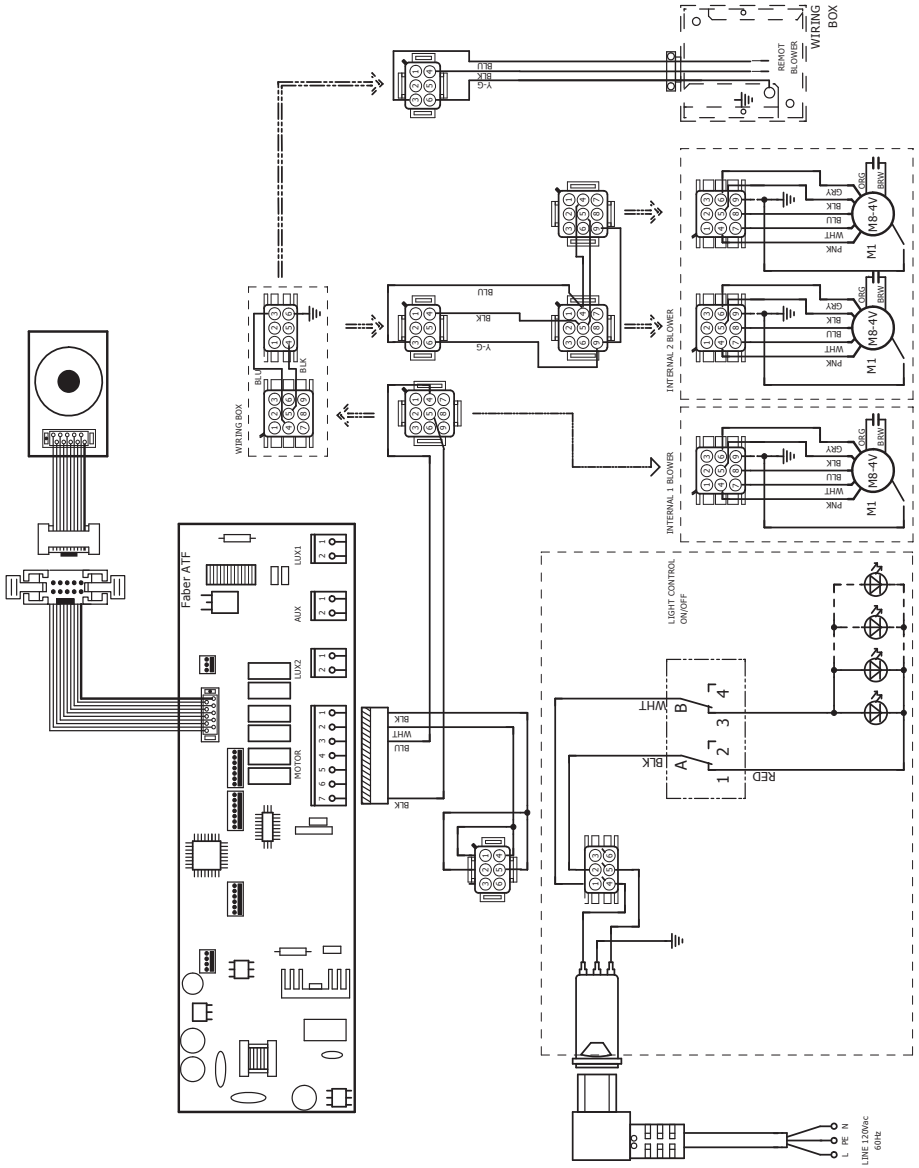
- Remplacez l'ampoule avec une nouvelle du même type, en vous assurant d'insérer correctement les deux connecteurs dans leur logement sur le socle.



Lampes DEL à ballast intégré de type Gu10 – répondant à la norme UL 1993/nmx-j-578/1-ance/csa c22.2 No 1993



Schéma de câblage





GARANTIE LIMITÉE ET SERVICE FABER

Tous les produits Faber font l'objet d'une garantie contre les défauts de matériel et de main-d'œuvre, accordée à l'acheteur original pour une période d'un (1) an à compter de la date d'achat initiale (preuve d'achat requise). Cette garantie couvre les frais de main-d'œuvre et les pièces de rechange. À sa discrétion, Faber peut réparer ou remplacer le produit ou les composants nécessaires à remettre le produit en bon état de marche. Pour bénéficier de services prévus par la garantie, veuillez communiquer avec le détaillant auprès duquel vous avez acheté la hotte de cuisine, ou encore avec le distributeur Faber de votre région. Si vous n'êtes pas en mesure de localiser un distributeur Faber dans votre région, veuillez communiquer avec nous au 508-358-5353 pour connaître le nom d'un distributeur à proximité.

Les éléments suivants ne sont pas visés par la garantie Faber :

1. Les appels au service de réparation visant à corriger l'installation de la hotte de cuisine, à recevoir des instructions sur l'utilisation de la hotte de cuisine, le remplacement ou la réparation des fusibles du domicile ou la correction des câblages ou de la plomberie du domicile.
2. Les appels au service de réparation visant à réparer ou remplacer les ampoules électriques de hotte, les fusibles ou les filtres. Ces pièces consommables ne sont pas couvertes par la garantie.
3. Les réparations si votre hotte de cuisine est employée à des fins autres que celles prévues, soit l'utilisation résidentielle normale pour une famille.
4. Les dommages découlant d'un accident, d'une modification, de l'utilisation incorrecte ou abusive, d'un incendie, d'une inondation, d'un cas de force majeure, d'une installation inadéquate, d'une installation non conforme aux codes en matière d'électricité ou de plomberie ou à la documentation fournie par Faber, ou encore d'une utilisation du produit non approuvée par Faber.
5. Les frais de main-d'œuvre ou de remplacement des pièces pour les appareils utilisés à l'extérieur des États-Unis ou du Canada, y compris toutes les hottes de cuisine Faber non-UL ou C-UL homologuées.
6. Les réparations à la hotte découlant de modifications non autorisées apportées à la hotte de cuisine.
7. Les frais encourus pour les déplacements et le transport de produits en région éloignée et les frais de cueillette et livraison. La réparation des hottes de cuisine Faber doit être réalisée à domicile.

LA PRÉSENTE GARANTIE NE PRÉVOIT AUCUNE FORME DE DÉDOMMAGEMENT EN CAS DE DOMMAGES ACCESSOIRES OU CONSÉCUTIFS, Y COMPRIS, SANS TOUTEFOIS S'Y LIMITER, LES DOMMAGES DIRECTS, INDIRECTS, ACCESSOIRES, PARTICULIERS OU CONSÉCUTIFS, LES LÉSIONS CORPORELLES/MORTELLES OU LA PERTE DE PROFITS. LA GARANTIE OFFERTE PAR FABER EST LIMITÉE AUX CONDITIONS ÉNONCÉES CI-DESSUS ET À LA PÉRIODE DE GARANTIE INDIQUÉE DANS LES PRÉSENTES ET EST EXCLUSIVE. SAUF DISPOSITIONS EXPRESSES CONTRAIRES DANS LE PRÉSENT ACCORD, FABER DÉCLINE TOUTE CONDITION, REPRÉSENTATION OU GARANTIE EXPLICITE OU IMPLICITE, Y COMPRIS, SANS TOUTEFOIS S'Y LIMITER, TOUTE GARANTIE IMPLICITE DE QUALITÉ MARCHANDE OU D'ADAPTATION À UN USAGE PARTICULIER.

Les droits qui vous sont conférés en vertu de la présente garantie peuvent varier d'une province ou d'un État à l'autre.

N° de modèle : _____

N° de série : _____

4 janvier 2016

