

A STUNNING OPTION IN INSERT VENTILATION. The updated Inca Lux by Faber features a sleek stainless panel which hides the grease filters behind it and reduces noise. With this advanced Perimetric filter system, the hood doesn't have to work as hard to get the job done. With advanced electronic controls, VAM for CFM management, an optional remote control and LED lights, the Inca Lux packs a lot of features in small body that fits into 12" deep cabinets.



Now with
Variable Air Management
adjust CFM for
your local codes

AVAILABLE MODELS

Model #	Size / Color	Set your CFM level	Sound Levels (sones)
INLX21SSV	21" Stainless	295, 395, 600 CFM	2.8 - 7.5
INLX28SSV	28" Stainless	295, 395, 600 CFM	2.8 - 7.5
INLX35SSV	35" Stainless	295, 395, 600 CFM	2.8 - 7.5

Note: Set to 600 CFM motor class out of the box.

KEY FEATURES

Backlit Electronic Controls

Backlit electronic controls with a White LED light to indicate the current speed and LED lighting. Now you can adjust CFM's at installation from the control buttons.

Perimetric Filter System

Stainless panel increases efficiency and decreases noise levels

New Self Supporting Liner

The Self Supporting Liner in 30" and 36" cabinet widths. The range hood insert is fully supported by the liner. No need for cut outs or a cabinet bottom. Just attach the liner to the side walls of the cabinet and the hood attaches to the liner.

Easy Snap Mounting Clips

Installation with easy with built-in adjustable clips that tighten onto the sides of the cabinet floor

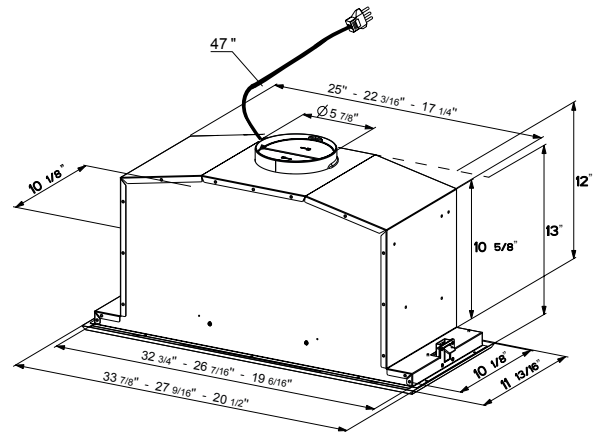
INCA LUX INSERT RANGE HOOD



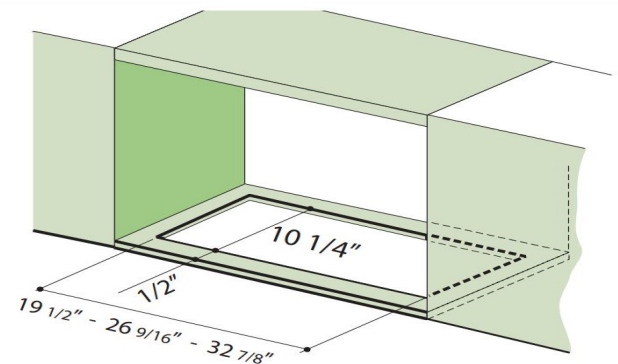
SPECIFICATIONS

DIMENSIONS

cut out dimensions	19 1/2" or 26 9/16" w x 10 1/4" d
cut out demensions 35"	32 7/8 "w / 10 1/4" d
convertible to ductless / recirculating	yes - with FILTER1 / FILTER1LL2
controls	4 speed electronic w/ white led
Variable Air Management	Yes (set to 295, 395, 600 CFM)
lighting	2 x 5 (w) LED - one level
ducting top	6" round
grease filters	dishwasher safe mesh
perimetric filtration system	yes
10 minute intensive speed	yes
15 minute auto shut off	yes
Power cord	yes- wirebox optional
ADA compliant	yes (with remote control)
power cord included	yes
AC power	400 watts / 3.2 amps



Overall



Cut Out

PERFORMANCE

	SPEED	1	2	3	BOOST
CFM		150	295	395	560
Sones		2.8	4.3	6.0	7.5

ACCESSORIES

FILTER1 - Charcoal Filter Kit

High quality charcoal filter for use when recirculating the air back into the kitchen. Filters out odor and should be replaced every 6 months.

FILTER1LL2 - Long Lasting Charcoal Filter Kit

New washable charcoal filter can be recharged and washed up to 8 times. For use when recirculating the air back into the kitchen. Filters out odor and can last up to 4 years.

MUDAMPER6 / MUDAMPER8 - Universal Make-Up Air Damper

Satisfies make-up air requirements, this kit uses an air switch to activate the make-up air damper to open and bring fresh air into the home when the hood fan is on. It then closes tightly when the hood is off. The CFM level is not reduced with this accessory.

WIREBOX - Fixed Wiring Box

Replace the power cord with a hard wired box to power the range hood

REMORIG - Remote Control

Control all features of the hood from the convenience of a ADA compliant wireless remote control.

LINE30ST / LINE36ST - Stainless Steel Liner 30 & 36" (INLX28SSV ONLY)

See page 3 for more information.

LINE36PT- Stainless Steel Liner 36" (INLX35SSV ONLY)

See page 3 for more information

LINE24ST - Stainless Steel Liner 24" (INLX21SSV ONLY)

See page 3 for more information.

LINSPT301228 - Stainless Steel Liner 30" (INLX28SSV ONLY)

See page 3 for more information.

LINSPT361228 - Stainless Steel Liner 36" (INLX28SSV ONLY)

See page 3 for more information.

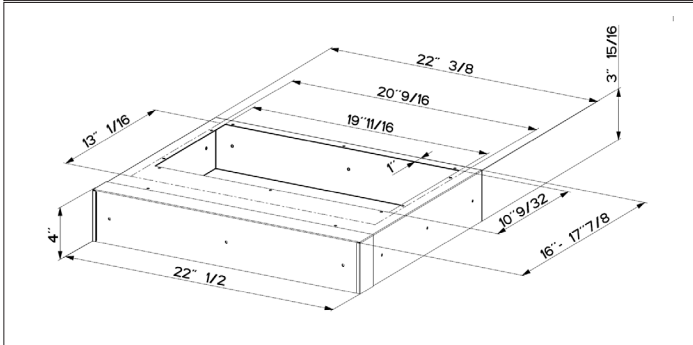
Product specifications are subject to change without notification. Consult the installation instructions before you begin installing this range hood. *Check local make up air codes for guidelines.



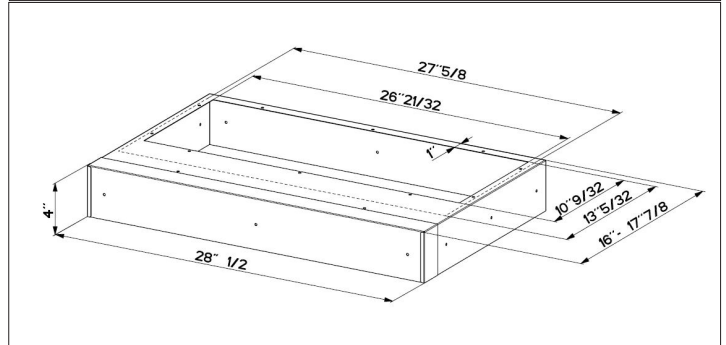
LINER SPECIFICATIONS

Liners are stainless steel kits that are optional for cabinet insert hoods. They create a metal perimeter to “line” the wood below the range hood with metal. They create a more finished look and move the range hood up creating additional capture area. In some cases, a liner may be required by local code if the cabinet starts at below 30” off the stove (check local building codes). All liners are adjustable in depth with a telescoping frame.

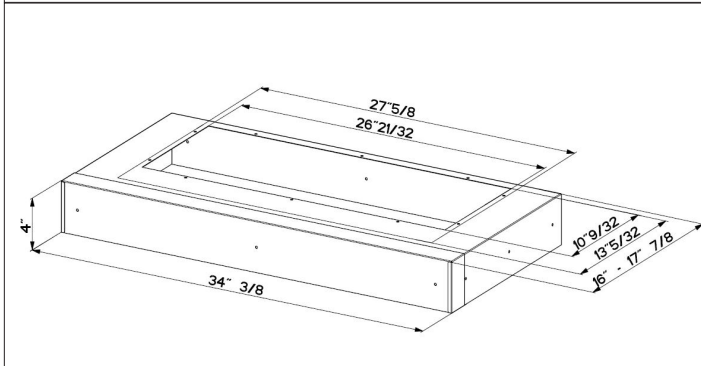
LINE24ST - USE WITH INLX21SSV ONLY FOR 24” WIDE CABINETS



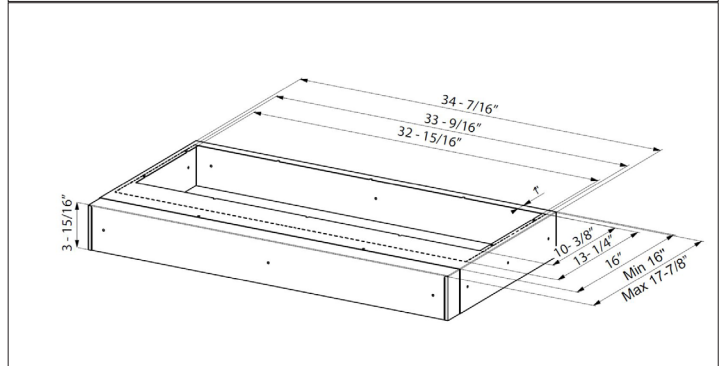
LINE30ST - USE WITH INLX28SSV ONLY FOR 30” WIDE CABINETS



LINE36ST - USE WITH INLX28SSV ONLY FOR 36” WIDE CABINETS



LINE36PT - USE WITH INLX35SSV ONLY FOR 36” WIDE CABINETS



LINSPT301228 / LINSPT361228 SELF SUPPORTING LINER USE WITH INLX28SSV ONLY

The liner is installed with screws against the walls of the cabinet, aligned with the cabinet bottom. The hood is installed onto the thick metal interior portion of the liner and is fully supported by the liner.

