

## INSERT VENTILATION TO PAIR WITH CURRENT KITCHEN TRENDS.

An elegant, built in flush mounted range hood now with VAM Technology and a depth of 11 1/4" making it an ideal choice for shallow depth cabinetry and perfect for kitchen remodeling projects. The sleek stainless steel panel mounts flush for a clean fully integrated look and can be accented with a liner accessory.

21" & 35" Inca In-Light Now Available



## AVAILABLE MODELS

Model #	Size / Color	Choose your own CFM	Sound Levels (sones)
INLT21SSV	21 Stainless	295, 395, 600 CFM	2.8 - 7.5 sones
INLT28SSV	28 Stainless	295, 395, 600 CFM	2.8 - 7.5 sones
INLT35SSV	35 Stainless	295, 395, 600 CFM	2.8 - 7.5 sones

**Note: Set to 600 CFM motor class out of the box.**

## KEY FEATURES

### Backlit Electronic Controls

Backlit electronic controls with a White LED light to indicate the current speed and LED lighting. Now you can adjust CFM's at installation from the control buttons.

### LED Light Bar

Low consumption 1 watt LED bulbs light up your cooking but use very little energy

### Perimeter Aspiration

Air is forced through narrow slots around the perimeter of the center panel greatly improving contaminant extraction.

### Remote Control (INCLUDED)

Control all features of the hood from the convenience of a wireless ADA compliant remote control.

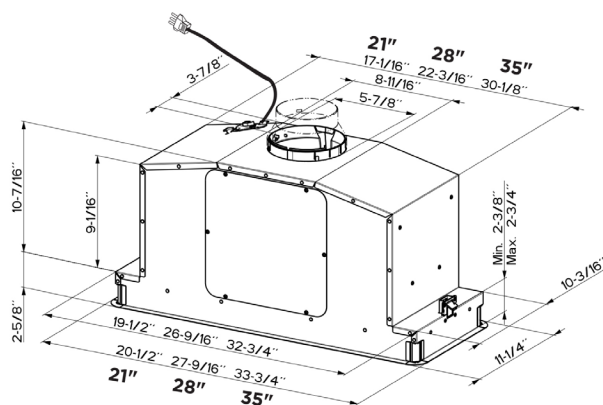
# INCA IN-LIGHT INSERT RANGE HOOD



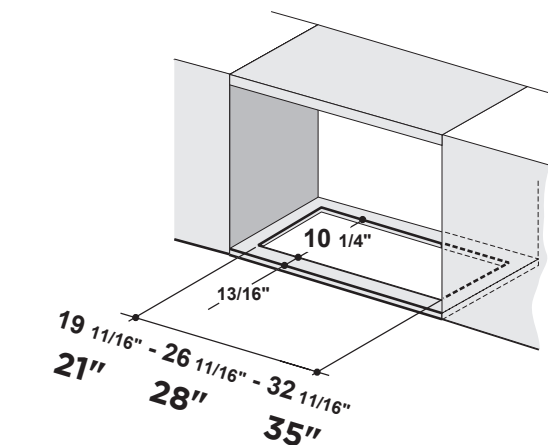
## SPECIFICATIONS

## DIMENSIONS

cut out dimensions	21" - 19 11/16" w x 10 1/4" d 28" - 26 11/16" w x 10 1/4" d 35" - 32 11/16" w x 10 1/4" d
convertible to ductless / recirculating	yes - with FILTER1 / FILTER1LL2
body depth/height	11 1/4" 12 1/8"
Variable Air Management	Yes- (set to 295, 395, 600 CFM)
controls	4 speed electronic w/ white LED
lighting	LED light bar
ducting top	6" round
grease filters	dishwasher safe mesh
perimetric filtration system	yes
10 minute intensive speed	yes
15 minute auto shut off	yes
ADA compliant	yes - remote included
power cord included	yes
AC power	400 watts / 3.2 amps



Overall



Cut Out

## PERFORMANCE

	SPEED	1	2	3	BOOST
CFM		150	295	395	560
Sones		2.8	4.3	6.0	7.5

## ACCESSORIES

### # FILTER1 - Charcoal Filter Kit

High quality charcoal filter for use when recirculating the air back into the kitchen. Filters out odor and should be replaced every 6 months

### # FILTER1LL2 - Long Lasting Charcoal Filter Kit

New washable charcoal filter can be recharged and washed up to 8 times. For use when recirculating the air back into the kitchen. Filters out odor and can last up to 4 years.

### # MUDAMPER6 / MUDAMPER8 - Universal Make-Up Air Damper

Satisfies make-up air requirements, this kit uses an air switch to activate the make-up air damper to open and bring fresh air into the home when the hood fan is on. It then closes tightly when the hood is off. The CFM level is not reduced with this accessory.

### # WIREBOX - Fixed Wiring Box

Replace the power cord with a hard wired box to power the range hood

### # LINE30ST / LINE36ST - Stainless Steel Liner 30 & 36" (INLT28SSV ONLY)

See page 3 for more information.

### # LINE36PT- Stainless Steel Liner 36" (INLT35SSV ONLY)

See page 3 for more information

### # LINE24ST - Stainless Steel Liner 24" (INLT21SSV ONLY)

See page 3 for more information.

### # LINSPT301228 - Stainless Steel Self Supporting Liner 30"

See page 3 for more information.

### # LINSPT361228 - Stainless Steel Self Supporting Liner 36"

See page 3 for more information.

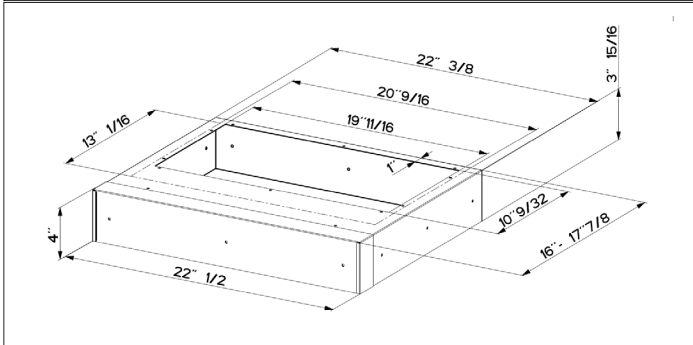
Product specifications are subject to change without notification. Consult the installation instructions before you begin installing this range hood. \*Check local make up air codes for guidelines.



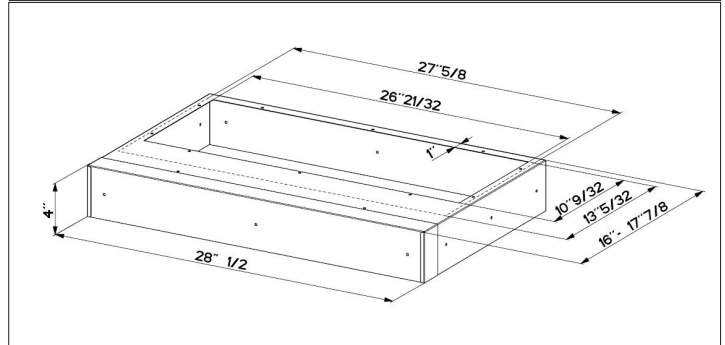
### LINER SPECIFICATIONS

Liners are stainless steel kits that are optional for cabinet insert hoods. They create a metal perimeter to “line” the wood below the range hood with metal. They create a more finished look and move the range hood up creating additional capture area. In some cases, a liner may be required by local code if the cabinet starts at below 30” off the stove (check local building codes). All liners are adjustable in depth with a telescoping frame.

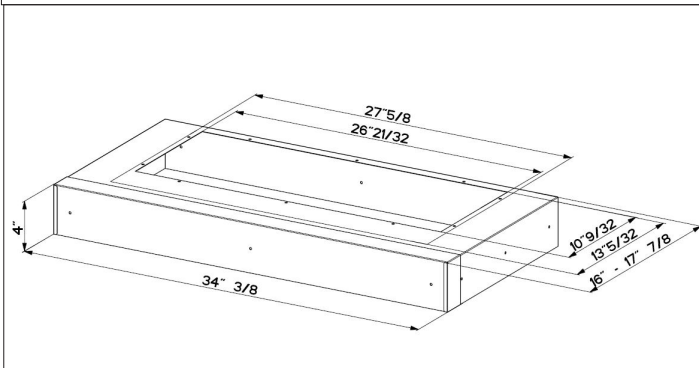
#### LINE24ST - USE WITH INLT21SSV ONLY FOR 24” WIDE CABINETS



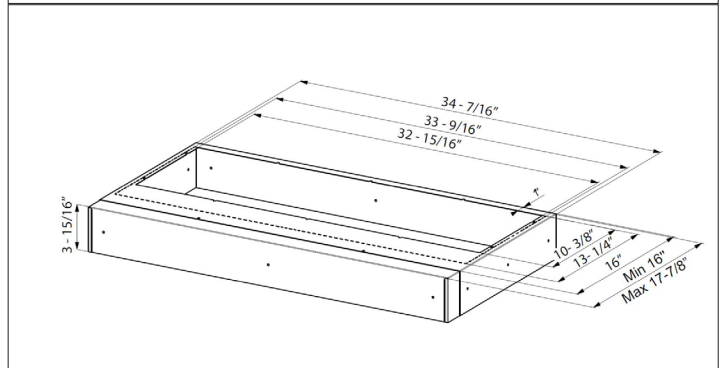
#### LINE30ST - USE WITH INLT28SSV ONLY FOR 30” WIDE CABINETS



#### LINE36ST - USE WITH INLT28SSV ONLY FOR 36” WIDE CABINETS



#### LINE36PT - USE WITH INLT35SSV ONLY FOR 36” WIDE CABINETS



#### LINSPT301228 / LINSPT361228 SELF SUPPORTING LINER USE WITH INLT28SSV ONLY

The liner is installed with screws against the walls of the cabinet, aligned with the cabinet bottom. The hood is installed onto the thick metal interior portion of the liner and is fully supported by the liner.

