



**COWBOY**  
CAULDRON CO.

## CONGRATULATIONS YOU ARE THE OWNER OF A GENUINE COWBOY CAULDRON®



Thank you for purchase. You have worked hard for your money, and we thank you for choosing our products. It is truly our honor that you have chosen to do business with us.

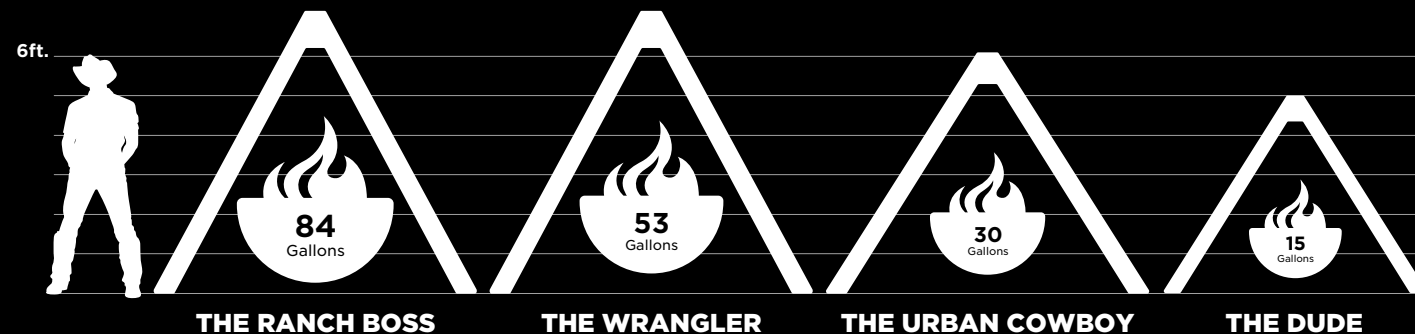
Your Cauldron is sure to enhance your life, and the lives of your family, and associates. It is intended to do so for a long, long time. Every aspect of its manufacture has been designed with function and longevity in mind. As you use your Cauldron in the months and years ahead, the time and effort it takes us to create an object that truly meets this criteria will become more and more apparent.

We believe that the Cowboy Cauldron is the most beautiful, versatile, and durable fire feature ever created. It is the perfect fusion of timeless design and modern manufacturing methods, and brought to life through the pride of honest craftsmanship. We have had many customers tell us that their Cauldron is the single most satisfying purchase of their lives. It is both humbling and a source of great pride to us.

Use your Cowboy Cauldron in good health and good company, and again, thank you.

President,  
Cowboy Cauldron Company

## COWBOY CAULDRON LINEUP



# THE DUDE®

## THE PERFECT STARTER SIZE

SUPER-PORTABLE WITH 2-PIECE LEGS

Don't think for one minute that THE DUDE® is a lesser quality product than our larger offerings. It is burly enough to last your entire lifetime and beyond. It's made of the same solid plate steel, and is made with the same degree of care. But with a 24-inch, 35-pound basin and segmented legs, it is scaled to fit almost any lifestyle; whether you are camping, at the tailgate party, ski hill, beach, or on your patio.

THE DUDE® gives you the ability to enjoy live fire anywhere, in a clean, convenient, beautiful package.

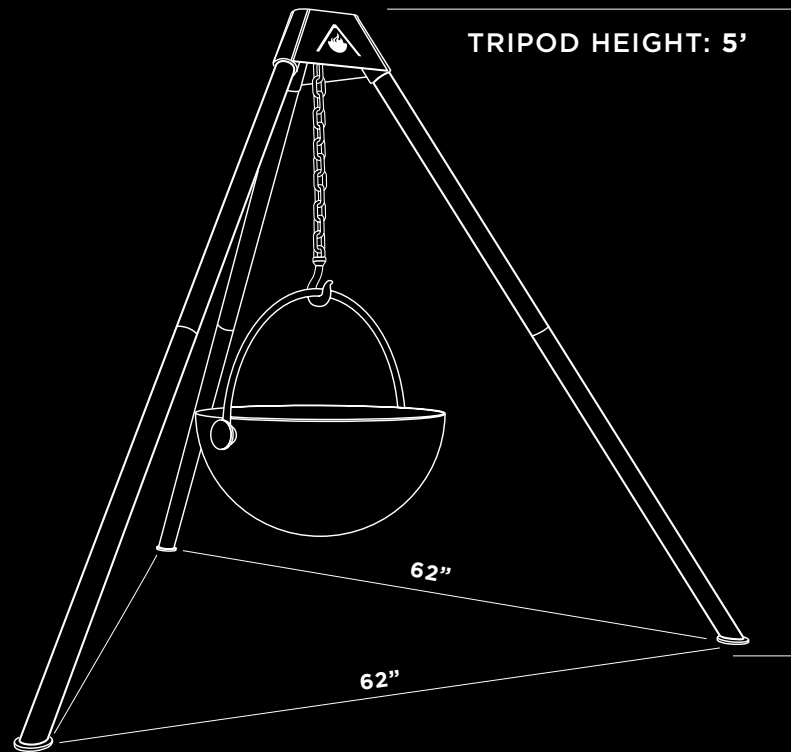
### FEATURES

- Solid Steel Construction
- Segmented, 2-Piece Legs
- Use as Fire Pit, Grill, or Cooking Vessel

### WHAT'S INCLUDED

- Cauldron Basin
- Tripod Frame
- Suspension Chain
- Charcoal Grate
- Cooking Grill
- Rain Cover





## SPECIFICATIONS

TRIPOD HEIGHT:	<b>5'</b>
BASIN WEIGHT:	<b>35 LBS</b>
BASIN DIAMETER:	<b>24"</b>
TOTAL WEIGHT:	<b>110 LBS</b>
GRILLING AREA:	<b>452 IN<sup>2</sup></b>
LIQUID CAPACITY:	<b>15 GALLONS</b>
BOX DIMENSIONS:	<b>38" X 30" X 15"</b>
SHIPPING WEIGHT:	<b>116 LBS</b>

"Our cauldron is the envy of the neighborhood and we love spending time around it. Best gift I ever gave my husband!"

Catarina A.



# THE URBAN<sup>™</sup> COWBOY

## PATIO PERFECTION

OUR MOST VERSATILE OFFERING

The Urban Cowboy provides plenty of warmth for a gathering of three to six, and will extend your outdoor life by weeks in both the spring and fall. The 30-inch basin provides all the space you need for serious home entertainment, but doesn't require the same commitment of space our larger units do. A typical campfire easily fits inside an Urban Cowboy, and you have the option to go really big, should you want to (and believe me, we've done it...). Arguably our most versatile unit, one person can put an Urban Cowboy into a truck to take it to the tailgate party, or wherever else your wandering bone might take you.

## FEATURES

- Solid Steel Construction
- Perfectly Proportioned
- Multipurpose Fire Pit, Grill, Cooking Vessel

## WHAT'S INCLUDED

- Cauldron Basin
- Tripod Frame
- Suspension Chain
- Charcoal Grate
- Grate Support
- Cooking Grill
- Rain Cover



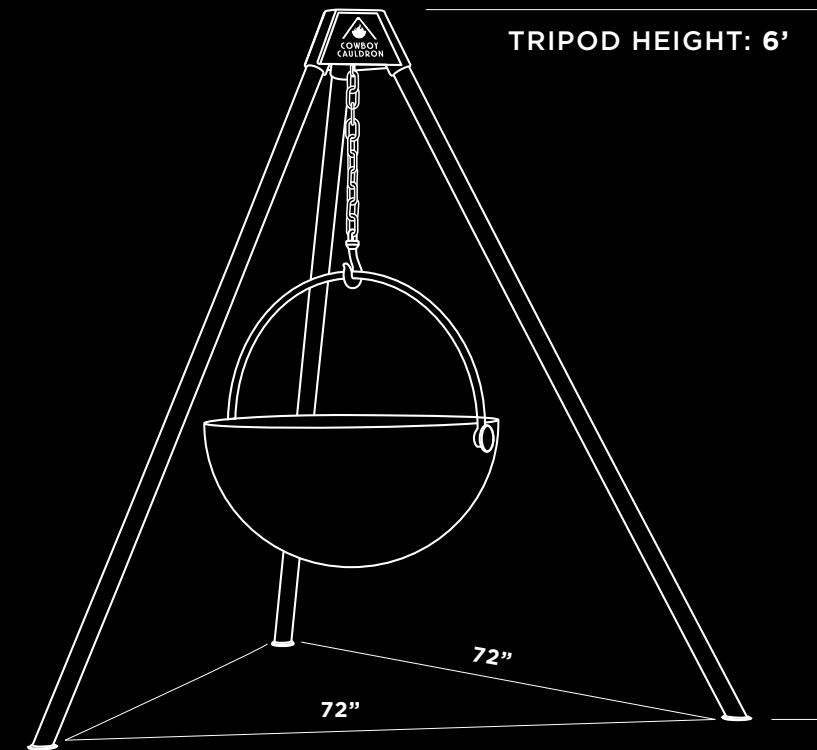


### SPECIFICATIONS

- TRIPOD HEIGHT: **6'**
- BASIN WEIGHT: **75 LBS**
- BASIN DIAMETER: **30"**
- TOTAL WEIGHT: **160 LBS**
- GRILLING AREA: **707 IN<sup>2</sup>**
- LIQUID CAPACITY: **30 GALLONS**
- BOX DIMENSIONS: **33" X 33" X 18.5"**
- SHIPPING WEIGHT: **213 LBS**

"Just wanted to thank you so much for the coolest thing I will ever own!"

Aaron S.



# THE WRANGLER™

## BACKYARD SOPHISTICATION

FOR THE CHEF IN ALL OF US

You probably aren't a professional chef. But if you are, buy this unit. Chef's who use the Wrangler need a big visual for the show, but also need to move it around. If you aren't actually cooking for a living, but are the type of host(ess) whose friends constantly suggest you should open a restaurant, then here's your Cauldron. With versatility that can only be matched by the Ranch Boss, but without the extra capacity and weight, the Wrangler is "right in the pocket" for lots of folks.

And even if you never roast so much as a hot dog on it, the ambiance and beauty of The Wrangler will set you, and your yard, apart from all the others in ways you already intuit.

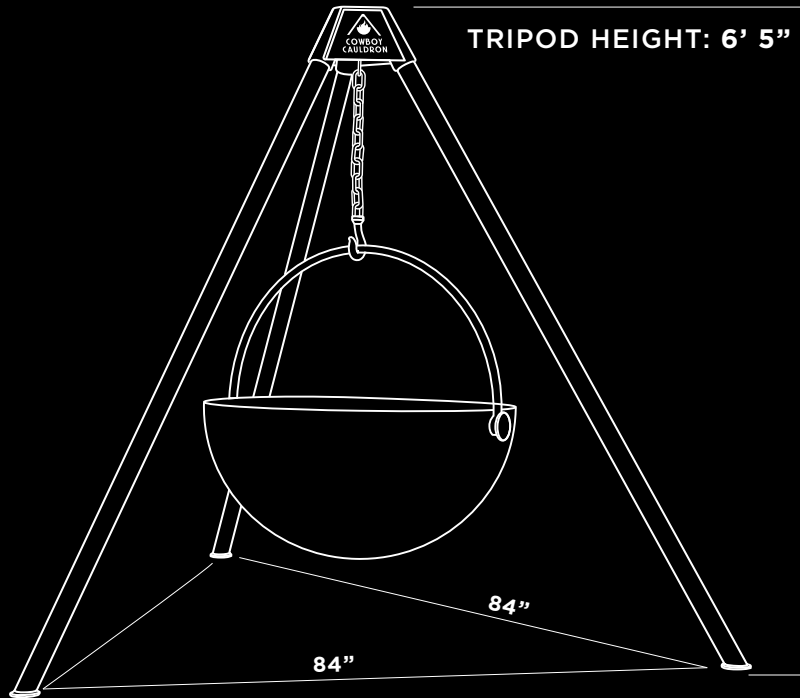
## FEATURES

- Solid Steel Construction
- Chef Approved
- Immensely Versatile  
Fire Pit, Grill, & Cooking Pot

## WHAT'S INCLUDED

- Cauldron Basin
- Tripod Frame
- Suspension Chain
- Charcoal Grate
- Grate Support
- Cooking Grill
- Rain Cover





## SPECIFICATIONS

TRIPOD HEIGHT:	<b>6' 5"</b>
BASIN WEIGHT:	<b>130 LBS</b>
BASIN DIAMETER:	<b>36"</b>
TOTAL WEIGHT:	<b>256 LBS</b>
GRILLING AREA:	<b>1017 IN<sup>2</sup></b>
LIQUID CAPACITY:	<b>53 GALLONS</b>
BOX DIMENSIONS:	<b>48" X 48" X 32"</b>
SHIPPING WEIGHT:	<b>318 LBS</b>



"WOW! Everyone LOVES the cauldron, it was the centerpiece of the event! Thank you for making this amazing utilitarian piece of art!"

Darla M.



# THE RANCH<sup>™</sup> BOSS

## THE ULTIMATE FIRE FEATURE

VISUAL GRAVITAS COMBINED WITH SUPREME FUNCTIONALITY

Even if it is not burning, just looking at the Ranch Boss gives you a feeling of confidence, quality, and timelessness. It is this, perhaps more even than its astonishing versatility and functionality, that sets the Cowboy Cauldron apart from everything else on the market. This is the one to buy, if you can.

It is why they now grace some of the world's most esteemed resort properties, vineyards, and hotels, as well as backyards, worldwide.

If you want to get your inner Francis Mallman fired up, you can do layered fires. You can scald a hog, then cook it on a rotisserie. Or you can just look out the window and know that you have something sitting there that is the best in the world.

## FEATURES

- Our Largest Model
- Backyard Elegance
- Impressive Performance All Around

## WHAT'S INCLUDED

- Cauldron Basin
- Tripod Frame
- Suspension Chain
- Charcoal Grate
- Grate Support
- Cooking Grill
- Rain Cover



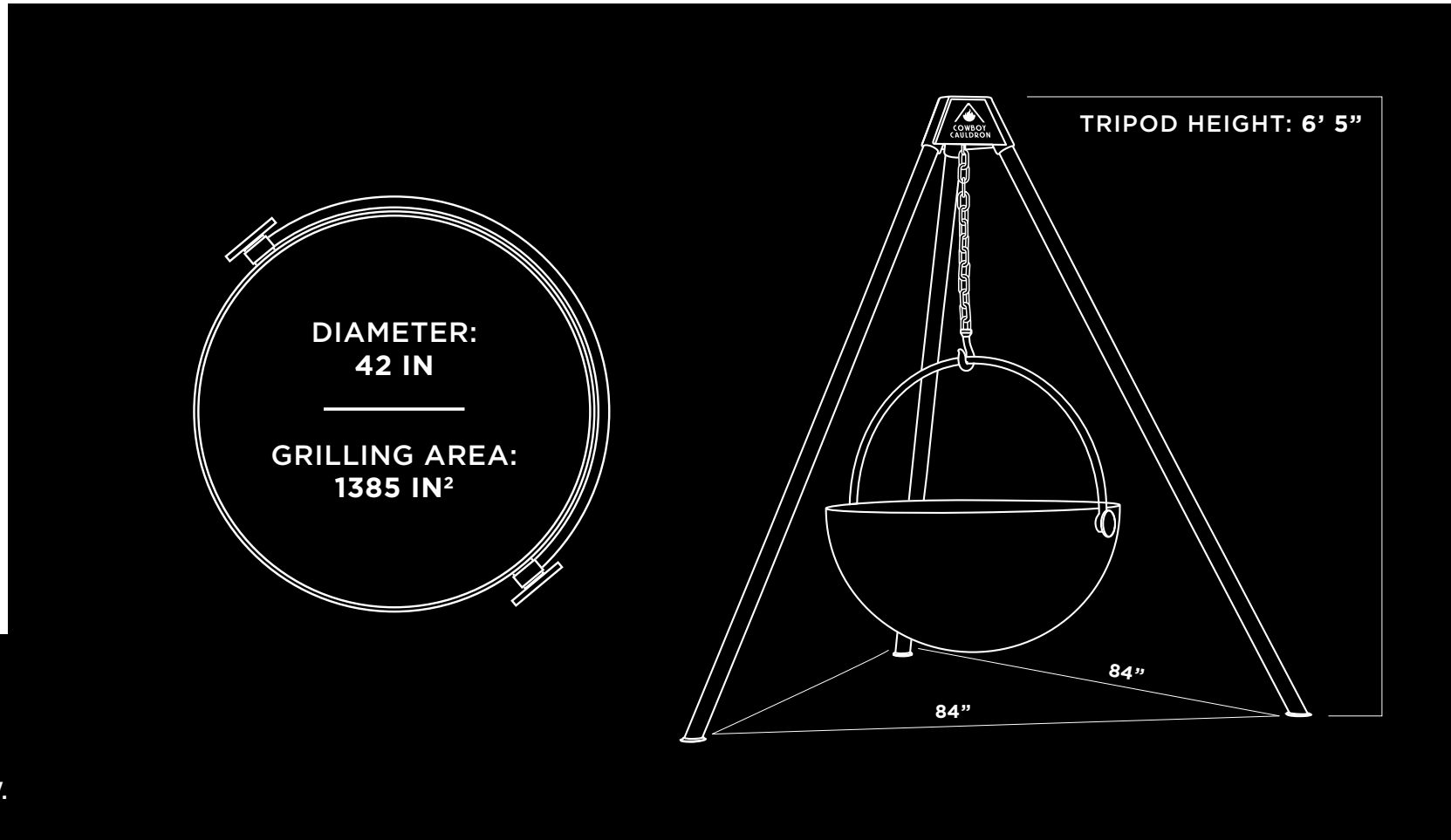


### SPECIFICATIONS

TRIPOD HEIGHT:	<b>6' 5"</b>
BASIN WEIGHT:	<b>220 LBS</b>
BASIN DIAMETER:	<b>42"</b>
TOTAL WEIGHT:	<b>319 LBS</b>
GRILLING AREA:	<b>1385 IN<sup>2</sup></b>
LIQUID CAPACITY:	<b>84 GALLONS</b>
BOX DIMENSIONS:	<b>48" X 48" X 32"</b>
SHIPPING WEIGHT:	<b>381 LBS</b>

"The Ranch Boss is the biggest, baddest, coolest, and most fun thing I have ever had the privilege to own."

Curtis W.



## BEAR FAT

1-PINT CANISTER

We took the original, crude formula originally developed in the 13th Century by blacksmiths to protect their craftsmanship from the elements, and have made minor modifications to make it longer-lasting. Still 100% natural, you could put it on a sandwich if you wanted to - even though it would taste terrible....

Bear Fat is the perfect product to use to protect the outer shell of your Cauldron basin. If your Cauldron begins to scale, a quick coat of Bear Fat applied with a rag will put a beautiful black patina back on your basin in a jiffy.



## FIRESTARTER

CONTAINS 5 INDIVIDUALLY WRAPPED FIRESTARTER PUCKS.

As satisfying as it is to build the perfect one-match fire, there is a chance that your yard isn't the best place to find dry grass, pine needles, dead branches and the like. Or maybe it has been raining for a couple of days. Or it could be the middle of winter. Or you could be at the beach. Or a ski resort. Or it could be that you just don't want to think that hard, and just want to start a fire!!!

Problem solved. Our Fire Starter is made of 100% natural ingredients, so no chemical smells, no off flavors to your food, and no toxic fumes. One can is enough to easily start 20 fires, or more! It burns clean, leaves no residue.

## ACCESSORIES

# APRON

The best barbecue apron ever made. Specifically designed for the outdoor cook. Heavy enough to take more punishment than you can ever dish out. Designed to clean easily and not show stains. Striking good looks, and comfortable enough to wear all day. Absorbent. Dyed to hide stains. Thick enough to handle heat without being hot. Pockets were they should be. Genuine bridle leather yoke looks great and snaps off for cleaning the fabric.

No more tangles of apron strings in the washer. The unique leather yoke shifts weight off your neck. Like all Cowboy Cauldron products, it is designed to function perfectly for the rest of your life.



## ACCESSORIES

# TOTE BAG

Made from jute, leather, canvas and brass, this bag is bombproof enough for us to put our brand on it. We've been testing these for a few months now, loading them - overloading them, and giving them the general use, abuse, and tough love we give everything else we sell.

Of all the things the bag will carry in the years to come, the most important one is our logo. We wanted to be sure they are worthy.

It will hold a week's worth of groceries, stuff for a day at the beach, ski gear, or whatever it is in your life that needs to be toted.



## ACCESSORIES

# PIGTAIL

SIMPLE, ELEGANT AND EFFECTIVE

Pigtails are a fabulous alternative to floppy spatulas and skinny little BBQ forks. A pigtail flips meat quickly without tearing, and without creating a hole big enough to lose precious interior juices. Hand-wrought by our blacksmith, our pigtail is strong enough to lift anything you can put on a Cauldron — which is saying a lot! It is also beautiful, a work of art in its own right.

The point is hand-hammered and bent around an anvil, then the handle is wrapped into a functional and utilitarian grip that will never crack or burn, like wooden ones do. Precisely the right length to work on a Cauldron without a glove. Makes a great fire poker for our smaller units, as well.



## ACCESSORIES

# HAND WROUGHT CHAIN & HOOK

HAND FORGED MILD STEEL  
HEATED AND HAMMERED TO SHAPE BY  
OUR BLACKSMITH

Our Hand-Wrought Chain is the simplest, safest, and most effective way of hanging a coffee pot, Dutch oven, or anything else over a fire. Place the Hand-Wrought Chain's hook on your Cowboy Cauldron's handle or through the main support chain. The large links give you the perfect selection of distance from the fire, so you can quickly boil camp coffee, or simmer apple cider for hours. You put one of our beautiful S-Hooks in the link you want to select the right amount of heat for your job.

Don't confuse this with the main support chain that hangs the Cauldron from the tripod frame. Our Hand-Wrought Chain is a piece of artwork, hand-forged by our blacksmith as a cooking accessory only.



## CHUCKWAGON COOK POT

The most versatile, beautiful, and functional open-fire cookware piece ever. Period.

Can hang from an S-hook or be placed directly onto coals. Won't tip or spill. Three-layer enamel coating eliminates rust and makes cleaning a breeze. Lid is designed to fit tightly and won't slip off. Capacious, but not unduly heavy. Fry, simmer, or our favorite – make camp-fire popcorn! This design is what every trail cook in the 1800's wished he had. Like the Cowboy Cauldron itself, not cheap, but perfect for function, and good for generations.



## S-HOOKS

S-HOOK SIZE - MEDIUM APPROXIMATELY 5"

For effective open-flame cooking, you have to be able to adjust the container's height over the heat source. An S-hook, combined with our hand-wrought chain, lets you quickly and safely move pots over open fire. In fact, the S-Hook comes in two sizes (5 and 6 ") to give you near-infinite adjustability.

Handmade by a local blacksmith, our S-hooks begin as a raw piece of steel that is heated over coals and hammered on an anvil into beautiful loops and curls. It's functional, beautiful, and essential if you're looking to hone your open-flame cooking technique.

## SIGNATURE COWBOY CAULDRON CAP

Rugged velcro back ball cap with a leather Cowboy Cauldron patch stitched on the front. Perfect for a day cooking on the grill, enjoying a beer by the fire, or working in the yard. Nothing makes a more passionate statement about your love of your Cauldron than wearing the Cowboy Cauldron namesake baseball cap. A durable hat that will wear with you for seasons to come.

The back of the hat has the words that we are so proud to represent "Fire Perfected." A statement that we always stand behind.



## COWBOY CAULDRON LOGO CAP

Made from heavy woven canvas, not the more common cotton twill, this hat tells folks you know who you are, and what you like. Five-panel construction and brass, buckle-slider closure. Features our tag-line, "Fire Perfected" on the back. Super masculine, but we seriously can't wait to see a beautifully pony tail coming out of this one.

One of the things we here at Cowboy Cauldron Company are most proud of is our logo. Like our products, it is clean, simple, and compelling.

## PREMIUM T-SHIRT

AVAILABLE IN S - XXXL

You've probably got a few T-Shirts in your stable. You've never had one like this. Carefully crafted Cotton/Poly, slim cut build. Laser etched patch emblem on left sleeve. Signature hem fold over label. Multi-placement embellishments. This is one Cool Shirt.



## IN-STORE SIGNAGE

For our beloved Cowboy Cauldron Dealers, we offer beautiful Wall Signage and Point-Of-Purchase displays to showcase our fine wares in your gorgeous retail locations.

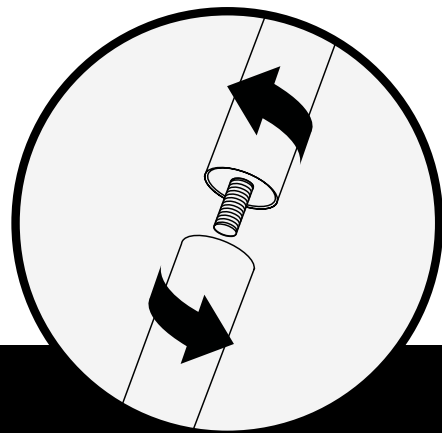


## PUTTING YOUR CAULDRON TOGETHER

The Cauldron's design is timeless. Although it might not look like it at first glance, lots and lots of design revisions have gone into the products we now so proudly sell.

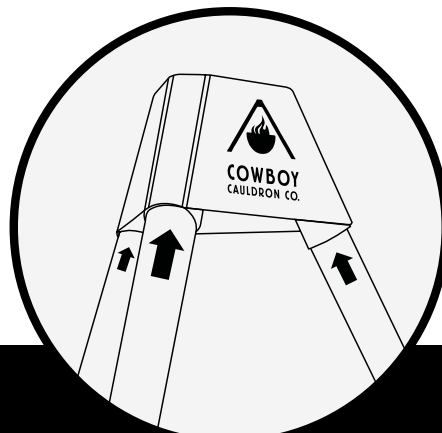
### REMEMBER...

You can raise or lower the height of your Cauldron basin by adjusting the link height of the chain. You don't necessarily need to use the last one.

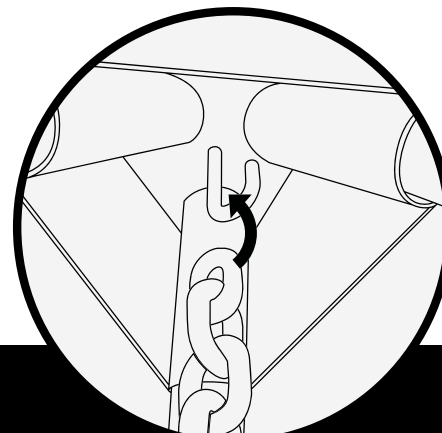


**01/ THE DUDE:** Pull top and bottom portions of legs from box and screw them together.

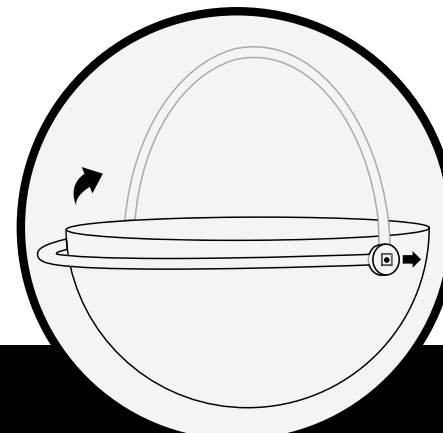
**ALL OTHERS:** Legs are all single pieces.



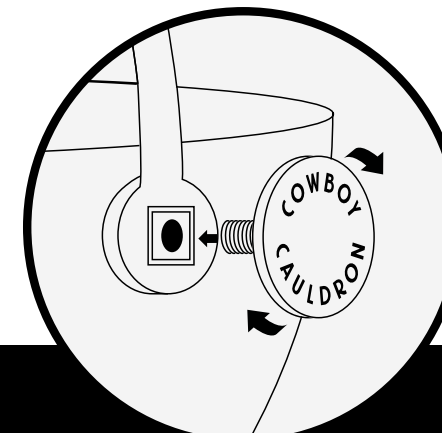
**02/** Slide the legs all the way into the cap tubes and push down on top to secure alignment.



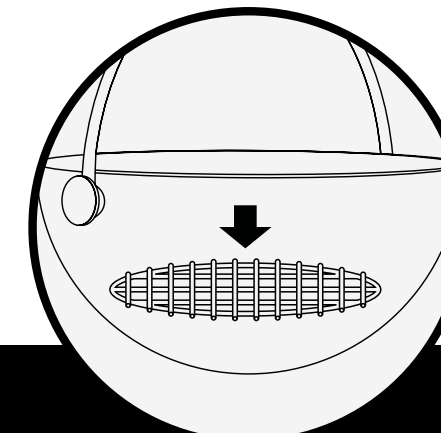
**03/** Attach the chain to the hook under the cap to set cauldron at desired height.



**04/ THE DUDE & THE URBAN COWBOY:** Pull the handle off of peg on one side at a time and rotate into upright position and reattach to pegs.



**05/ THE DUDE & THE URBAN COWBOY:** Insert cap on each end and screw tightly into place. You can now lift cauldron onto the hook.



**06/** When using charcoal, place heavy grate at bottom of basin. Not necessary when burning wood. Larger units also have separate grate support piece.

**For cooking, place the grill on top.** Once cool, place cover over grill and basin, to protect from weather.

## CAULDRON USE TIPS

---



### Burn Wood In Bottom Of Basin

---

The Cowboy Cauldron is designed to burn most efficiently right in the bottom of the basin. You do not need the charcoal grate for air flow.



### Start Early

---

If you are cooking for a group, start a fire at least an hour in advance. You want a nice bed of coals to work with. Use plenty of wood, too. More than you think you need the first couple of times.



### For Bright Fires, Teepee

---

Heat rises. If you want a bright, happy campfire use smaller pieces of wood stacked in a teepee shape for tall, bright flames.



### For Cooking, Lincoln Logs

---

For a bed of deep, stable coals, stack wood flat like Lincoln logs. This is the quickest way to build a bed of coals without flame that might burn your food.



### Tip Cauldron Ahead of Storms

---

If there is a big storm coming, or when you are not going to use it for a few weeks, tip the Cauldron off-center so that water will run off the cover.

## CAULDRON USE TIPS

---



### Bubble, Bubble, Toil & Trouble

---

Put the fire underneath your Cauldron, and let the party commence! Clean out the ashes, rinse, then coat the inside of the basin with a thin coat of vegetable oil. When the oil starts to smoke from the heat, you are ready to go.



## OUR STORY

---

The Founder and President of Cowboy Cauldron, Mike Bertelsen, grew up in the high desert of the American West, where campfires are a part of life. Mike loved to sit around those fires listening to stories.

A few decades later found Mike working in Washington D.C., where he spent his free time in the woods of Mount Vernon studying colonial traditions. Mike's goal was to once again make fire, food, and friendship a part of everyday living. This is where Cowboy Cauldron started and this is our promise to you.

The purchase of a Cowboy Cauldron is an investment in real and meaningful human interaction. Owning a Cauldron will put you at the center of friends, family, and the type of cooking and entertainment that is so lacking in our disposable and temporary society. George Washington lived at Mount Vernon and gave everything to those who needed his resources most. In this spirit, we offer you our craftsmanship, our products, and our wish that you will also use and share them freely with those most important to you.



## THE CAULDRON SOCIETY

---

A remarkable thing has happened in the past few years. As Cauldrons have made their way around the world, word has come back to us that, completely independently, groups of people have created what they call "The Cauldron Society." It's the group name that people who share the times and tales of their lives around a Cauldron have given themselves.

And you know what? That's exactly the name we came up with when we started hosting burns back in the DC area! The very first Cauldron created this phenomenon, and honestly, we think it's pretty damn cool. Now, we can't tell you what our Cauldron Society traditions and ritual are, because they are secret. As secret as the occasional tequila binge allows for, anyway.... Better to get your own group around a Cauldron and create the traditions that work for best for you.

We are proud that our products are creating this much happiness, and astonished that the way it expresses itself seems to be so consistent, no matter where they might be. There is definitely something to all of this. In fact, it's a pretty deep topic. Probably a good one for the next Cauldron Society meeting.



## WARRANTY & SUPPORT

---

A Cowboy Cauldron is meant to last. They are also meant to be loved. If you order a Cauldron from us and don't like it, you can return it to us within 60 days for a full refund, no questions asked. Yes, it is a gamble that you might have to bear return shipping charges, but so far we have sold thousands of Cauldrons, and only had one come back. It's a pretty safe bet.

Replacement parts are seldom requested, but are of course available. Most replacements come from parts being lost or destroyed (e.g. running over a grill). If you are using a Cauldron so much that you actually wear something out (and it won't be the basin, we can assure you) know that are here to take care of you. Typically we will ship you a new part at our cost, plus shipping.

---

(833) 244-3473  
info@cowboycauldron.com  
cowboycauldron.com



**COWBOY  
CAULDRON CO.**

[cowboycauldron.com](http://cowboycauldron.com)

58 Virginia Street  
Salt Lake City, UT, 84103

1.833.244.3473